



US00D817288S

(12) **United States Design Patent** (10) **Patent No.:** **US D817,288 S**  
**Won et al.** (45) **Date of Patent:** **\*\* May 8, 2018**

(54) **AV RECEIVER FOR TV**

(71) Applicant: **LG ELECTRONICS INC.**, Seoul (KR)

(72) Inventors: **Hyojin Won**, Seoul (KR);  
**Youngkyoung Kim**, Seoul (KR);  
**Junghyun Min**, Seoul (KR)

(73) Assignee: **LG ELECTRONICS INC.**, Seoul (KR)

(\*\*) Term: **15 Years**

(21) Appl. No.: **35/501,791**

(22) Filed: **Apr. 26, 2016**

(80) **Hague Agreement Data**  
 Int. Filing Date: **Apr. 26, 2016**  
 Int. Reg. No.: **DM/091350**  
 Int. Reg. Date: **Apr. 26, 2016**  
 Int. Reg. Pub. Date: **Oct. 28, 2016**

(30) **Foreign Application Priority Data**  
 Nov. 2, 2015 (KR) ..... 30-2015-0055085

(51) **LOC (11) Cl.** ..... **14-03**

(52) **U.S. Cl.**  
 USPC ..... **D14/125**

(58) **Field of Classification Search**  
 USPC ..... D14/125, 368, 348, 240, 242, 433  
 See application file for complete search history.

D706,263 S \* 6/2014 Lin ..... D14/348  
 D715,752 S \* 10/2014 Buch ..... D14/125  
 D716,744 S \* 11/2014 Bang ..... D14/125  
 D727,274 S \* 4/2015 Park ..... D14/125  
 D731,470 S \* 6/2015 Terasawa ..... D14/240  
 D740,770 S \* 10/2015 Won ..... D14/125  
 D780,731 S \* 3/2017 Kim ..... D14/242  
 D781,799 S \* 3/2017 Park ..... D14/125  
 D783,619 S \* 4/2017 Couture ..... D14/433

\* cited by examiner

*Primary Examiner* — George D. Kirschbaum  
 (74) *Attorney, Agent, or Firm* — Birch, Stewart, Kolasch & Birch, LLP

(57) **CLAIM**

The ornamental design for an AV receiver for TV, as shown and described.

**DESCRIPTION**

- 1. AV receiver for TV
- 1.1 : Perspective
- 1.2 : Front
- 1.3 : Back
- 1.4 : Left
- 1.5 : Right
- 1.6 : Top
- 1.7 : Bottom
- 1.8 : Reference view

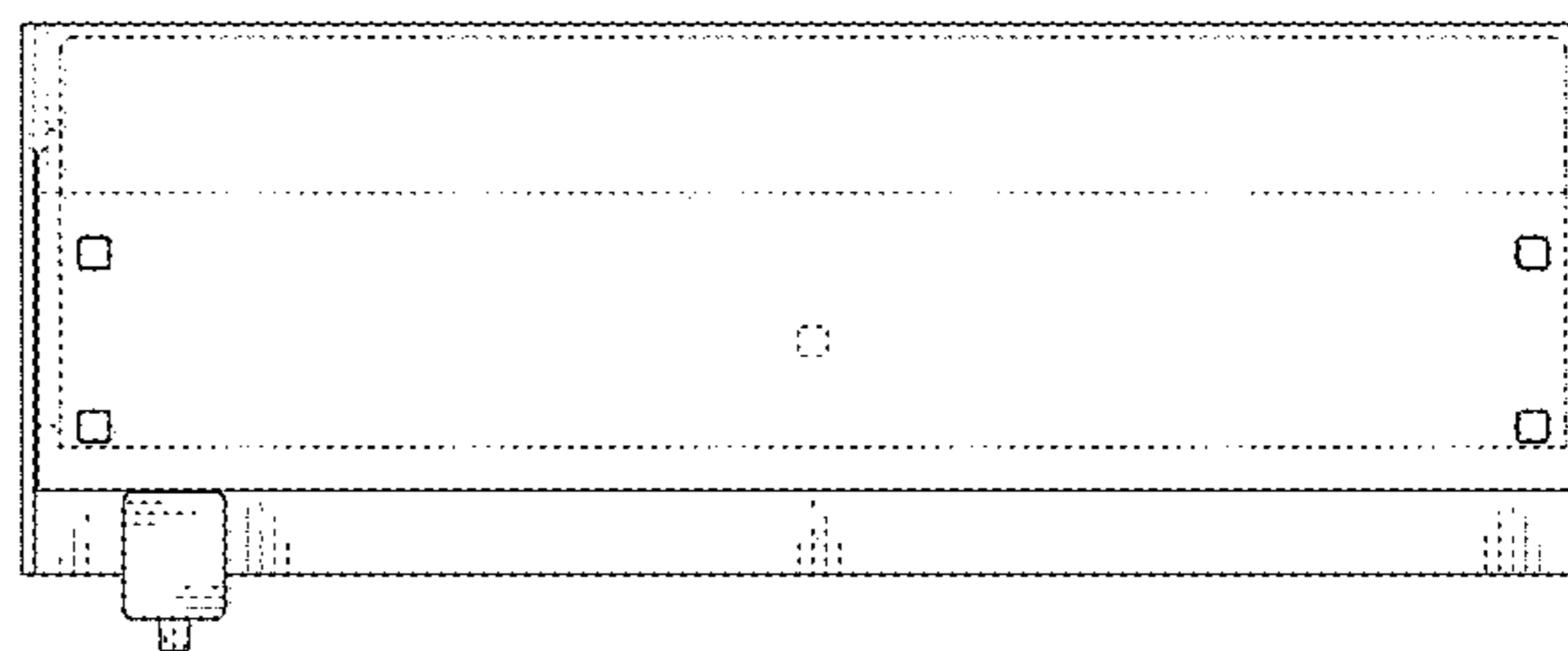
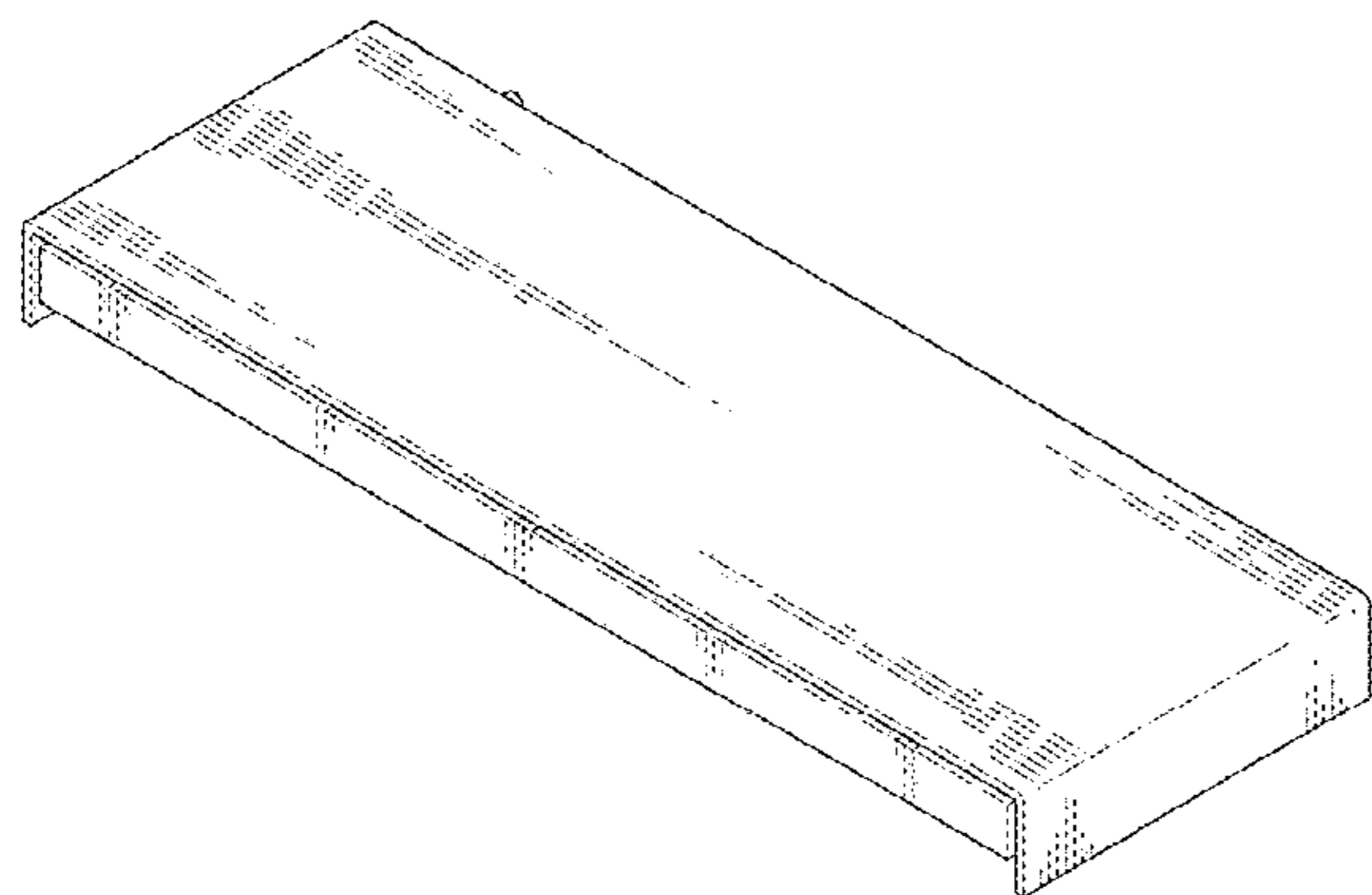
The dot-dash broken line in figure 1.3 defines the bounds of the claim and forms no part of the claimed design.

The evenly-spaced broken lines in figures 1.3 and 1.7 represent features of the AV receiver for TV that form no part of the claimed design.

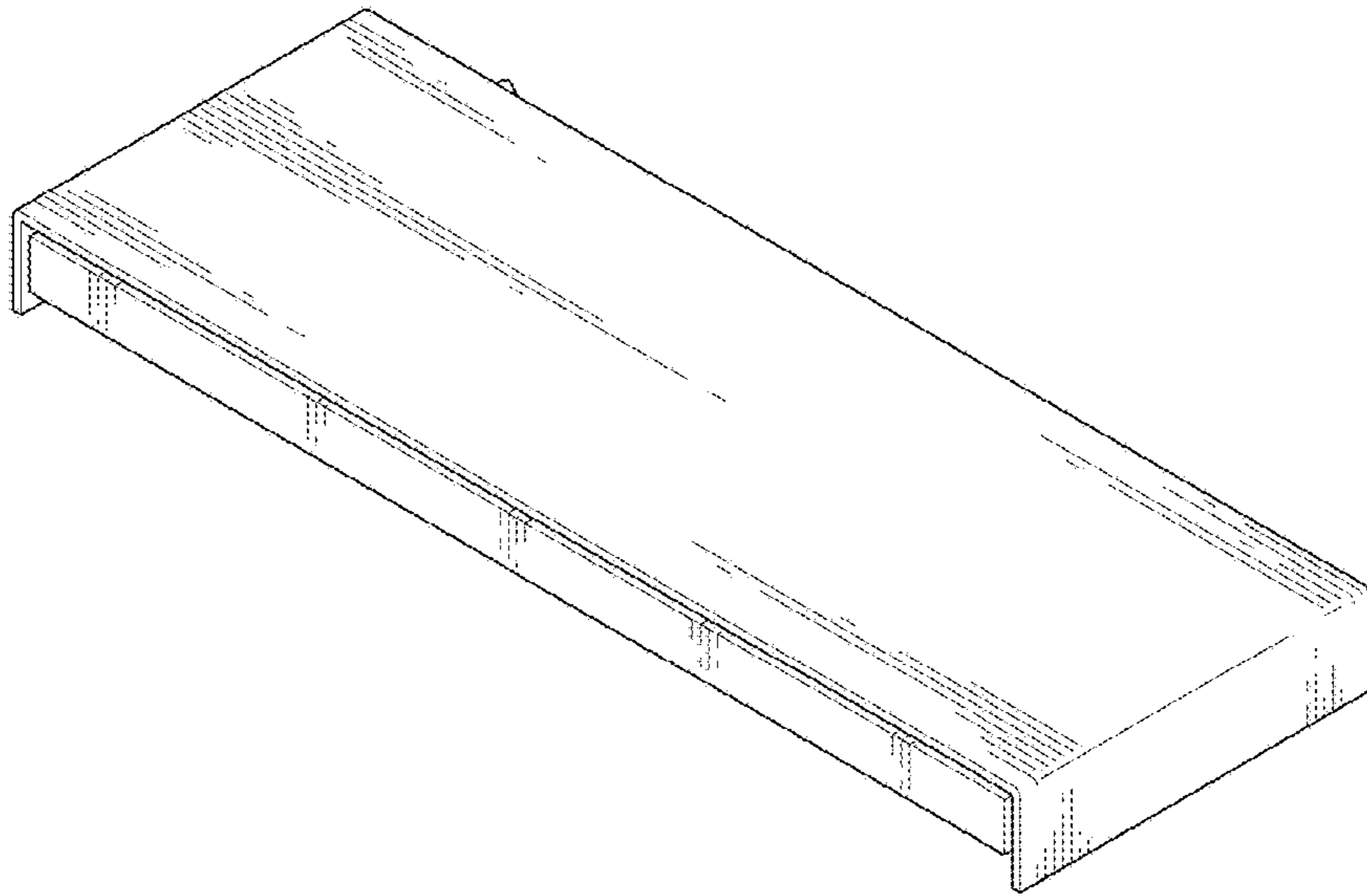
The broken lines shown in figure 1.8 are included for the purpose of illustrating environment and form no part of the claimed design.

**1 Claim, 3 Drawing Sheets**

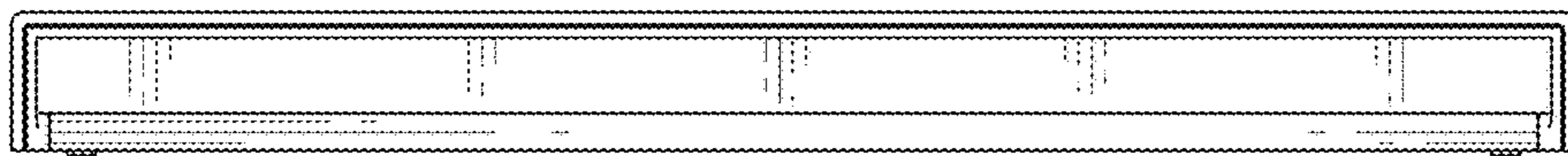
(56) **References Cited**  
 U.S. PATENT DOCUMENTS  
 D662,904 S \* 7/2012 Wu ..... D14/125  
 D689,860 S \* 9/2013 Chong ..... D14/368



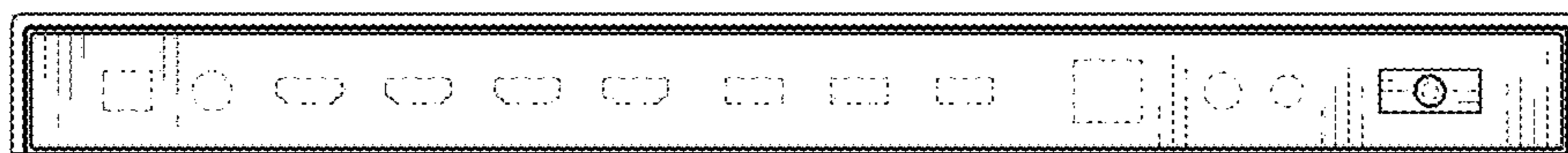
1.1



1.2



1.3



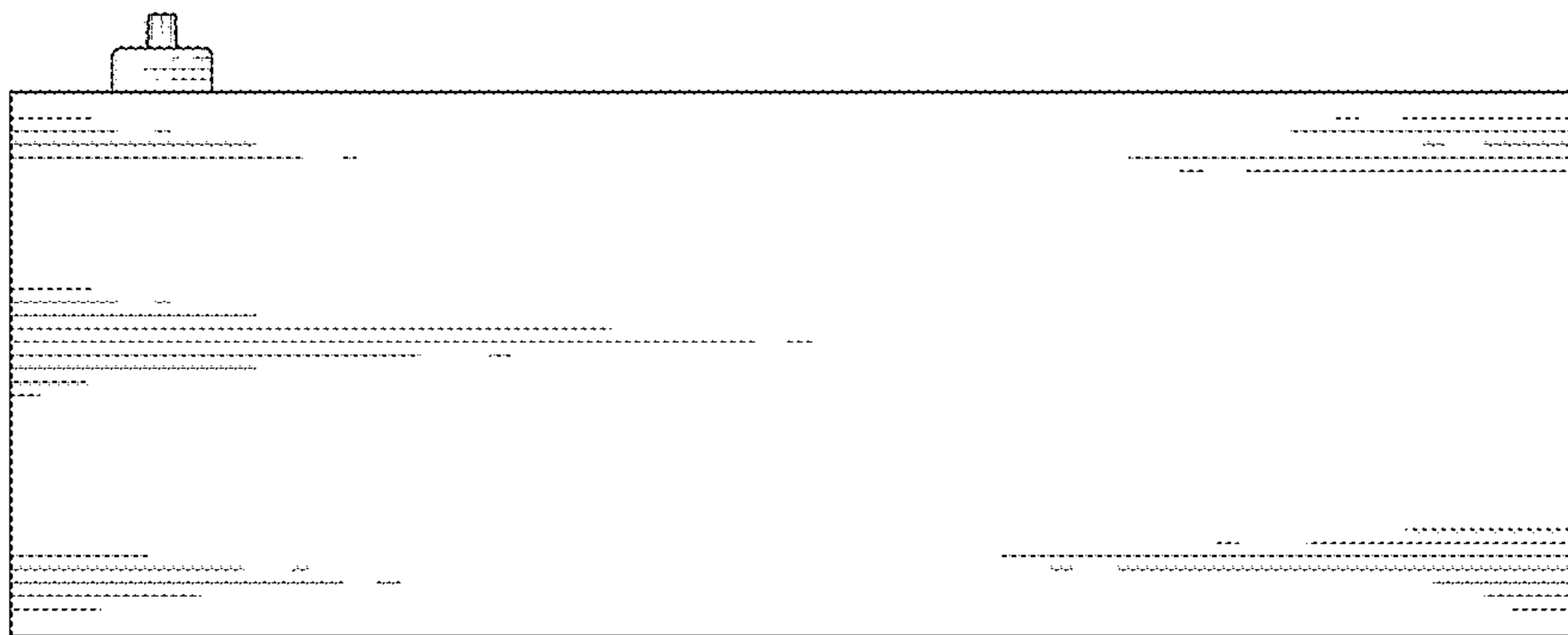
1.4



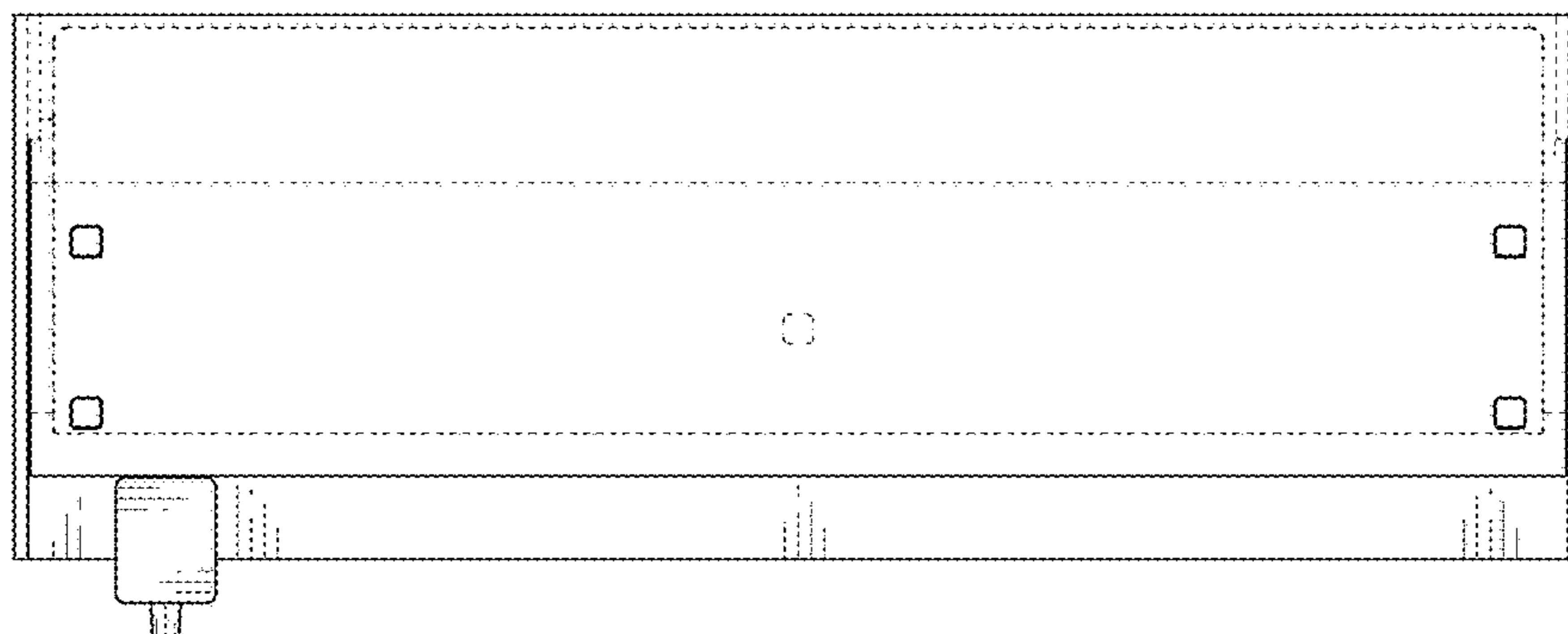
1.5



1.6



1.7



1.8

