



US00D817287S

(12) **United States Design Patent**
Won et al.

(10) **Patent No.:** **US D817,287 S**
(45) **Date of Patent:** **** May 8, 2018**

(54) **AUDIOVISUAL BOX FOR TV RECEIVER**

(71) Applicant: **LG ELECTRONICS INC.**, Seoul (KR)

(72) Inventors: **Hyojin Won**, Seoul (KR);
Youngkyoung Kim, Seoul (KR);
Junghyun Min, Seoul (KR)

(73) Assignee: **LG ELECTRONICS INC.**, Seoul (KR)

(**) Term: **15 Years**

(21) Appl. No.: **35/501,777**

(22) Filed: **Apr. 26, 2016**

(80) **Hague Agreement Data**

Int. Filing Date: **Apr. 26, 2016**
Int. Reg. No.: **DM/090591**
Int. Reg. Date: **Apr. 26, 2016**
Int. Reg. Pub. Date: **Oct. 28, 2016**

(30) **Foreign Application Priority Data**

Nov. 2, 2015 (KR) 30-2015-0055084

(51) **LOC (11) Cl.** **14-03**

(52) **U.S. Cl.**
USPC **D14/125**

(58) **Field of Classification Search**
USPC D14/125, 368, 348, 240, 242, 433
See application file for complete search history.

(56) **References Cited**

U.S. PATENT DOCUMENTS

D662,904 S * 7/2012 Wu D14/125
D689,860 S * 9/2013 Chong D14/368

D706,263 S * 6/2014 Lin D14/348
D715,752 S * 10/2014 Buch D14/125
D716,744 S * 11/2014 Bang D14/125
D727,274 S * 4/2015 Park D14/125
D731,470 S * 6/2015 Terasawa D14/240
D740,770 S * 10/2015 Won D14/125
D780,731 S * 3/2017 Kim D14/242
D781,799 S * 3/2017 Park D14/125
D783,619 S * 4/2017 Couture D14/433

* cited by examiner

Primary Examiner — George D. Kirschbaum

(74) *Attorney, Agent, or Firm* — Birch, Stewart, Kolasch & Birch, LLP

(57) **CLAIM**

The ornamental design for an audiovisual box for TV receiver, as shown and described.

DESCRIPTION

1. Audiovisual box for TV receiver

1.1 : Perspective

1.2 : Front

1.3 : Back

1.4 : Left

1.5 : Right

1.6 : Top

1.7 : Bottom

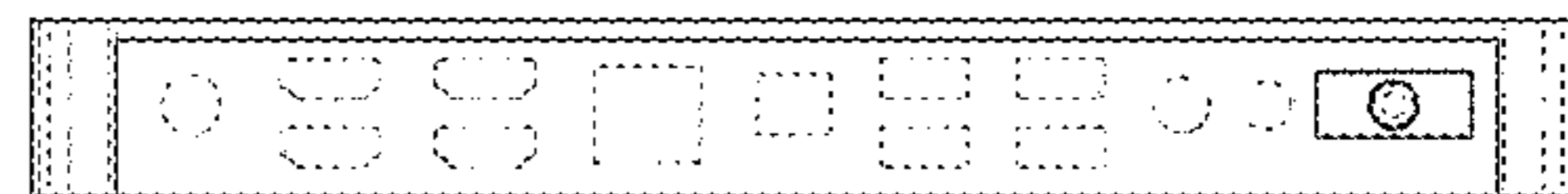
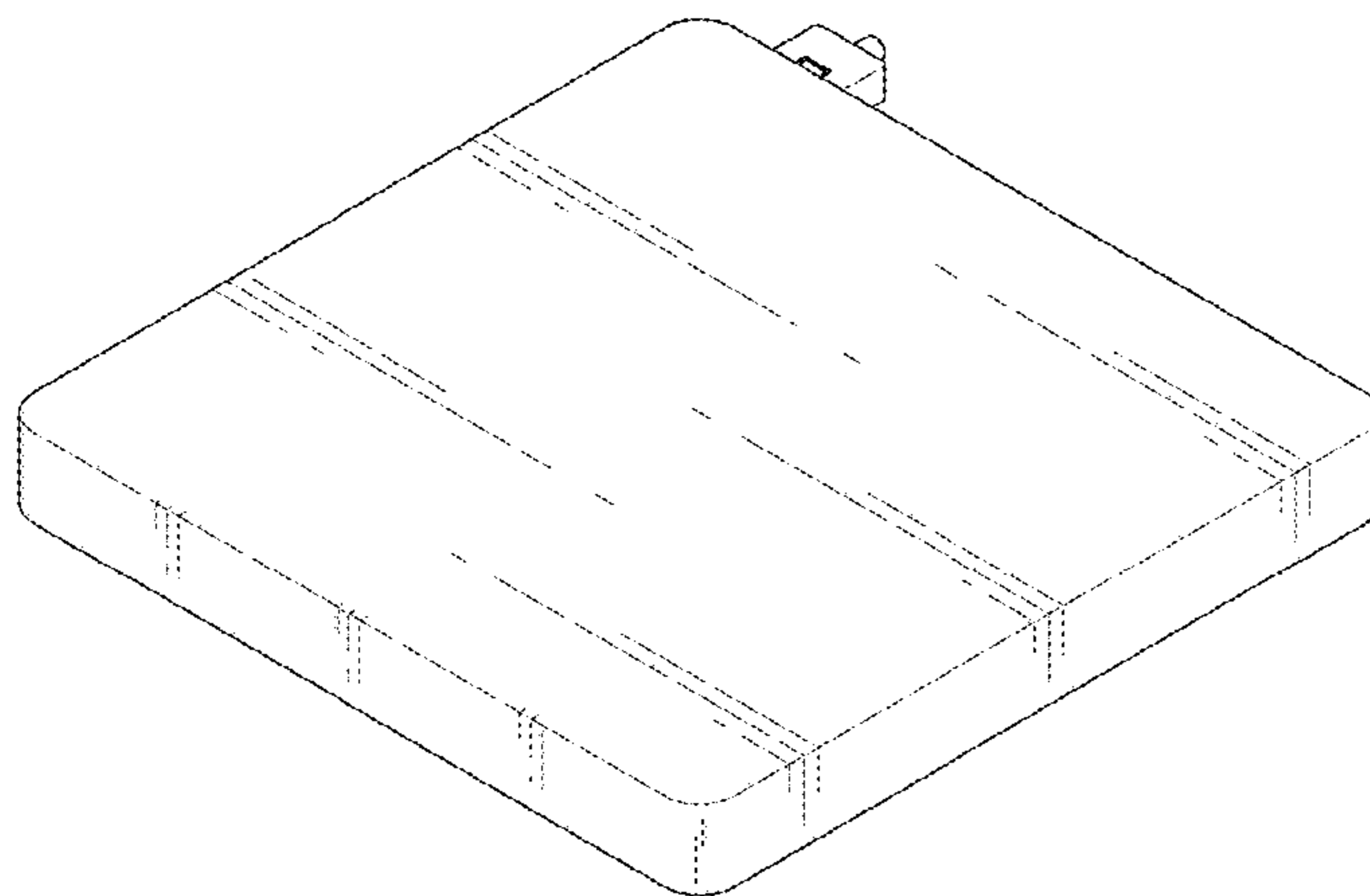
1.8 : Reference

The dot-dash broken line in figure 1.3 defines the bounds of the claim and forms no part of the claimed design.

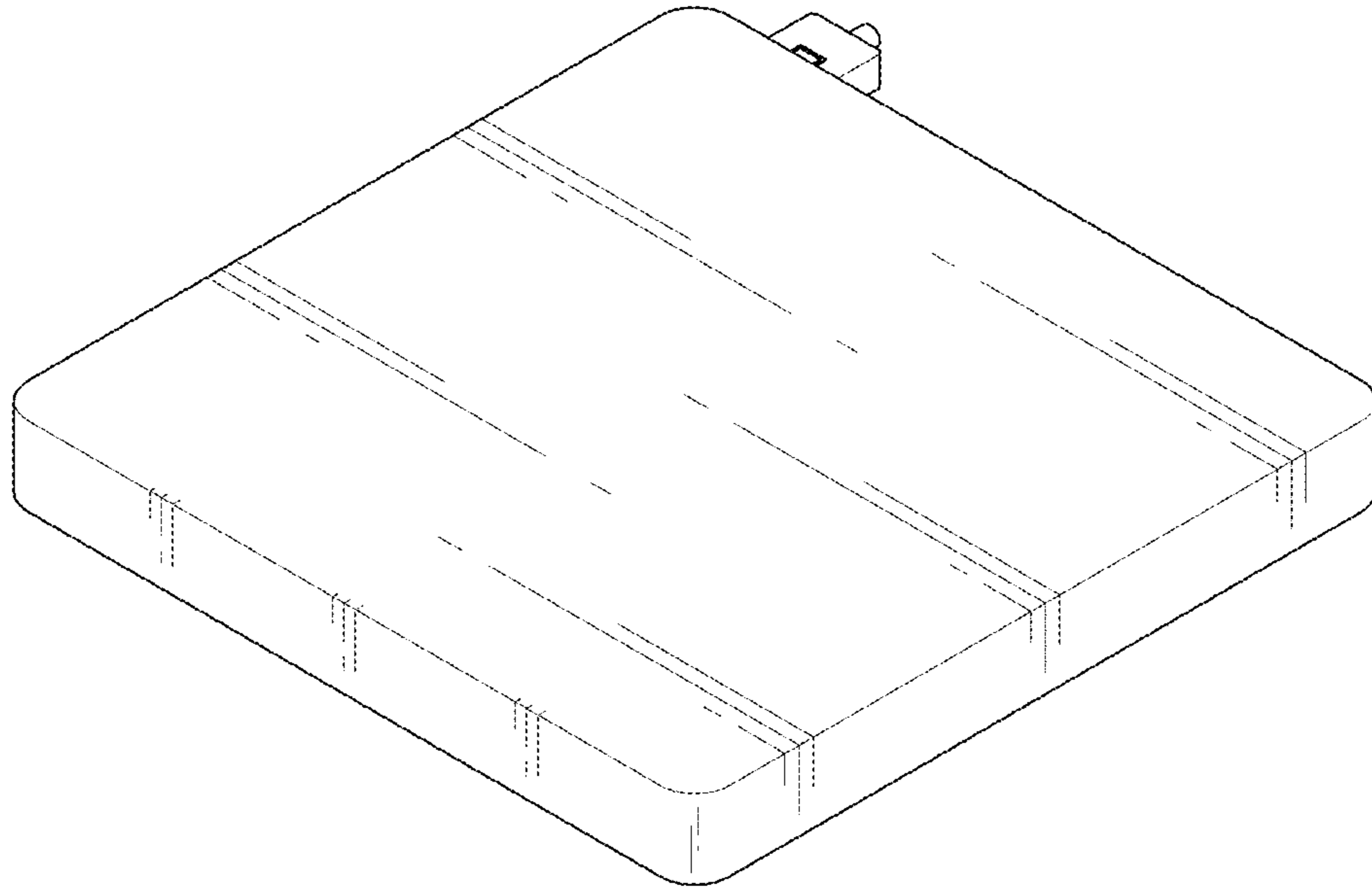
The evenly-spaced broken lines in figures 1.3 and 1.7 represent features of the audiovisual box for a TV receiver that form no part of the claimed design.

The broken lines shown in figure 1.8 are included for the purpose of illustrating environment and form no part of the claimed design.

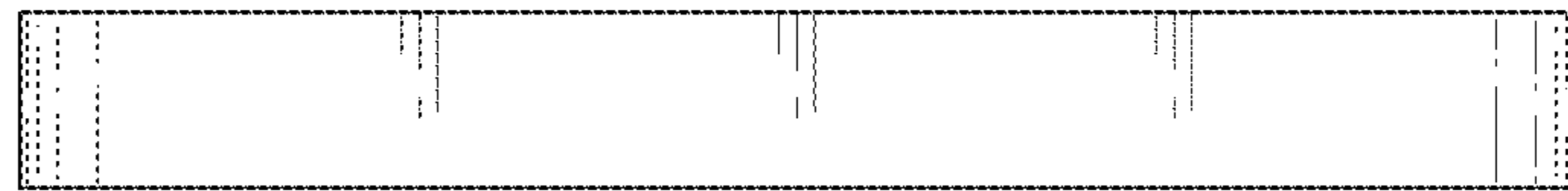
1 Claim, 6 Drawing Sheets



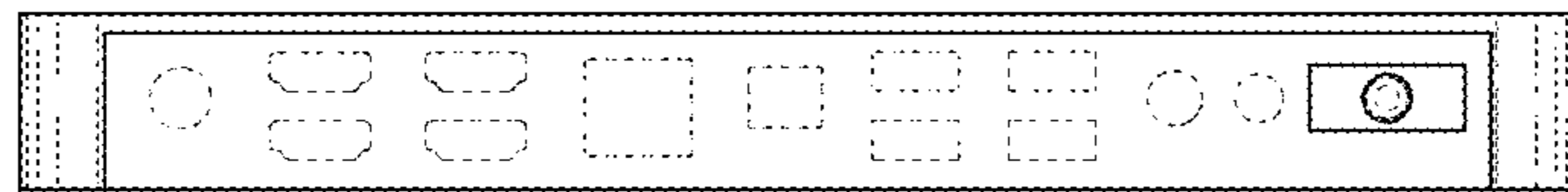
1.1



1.2



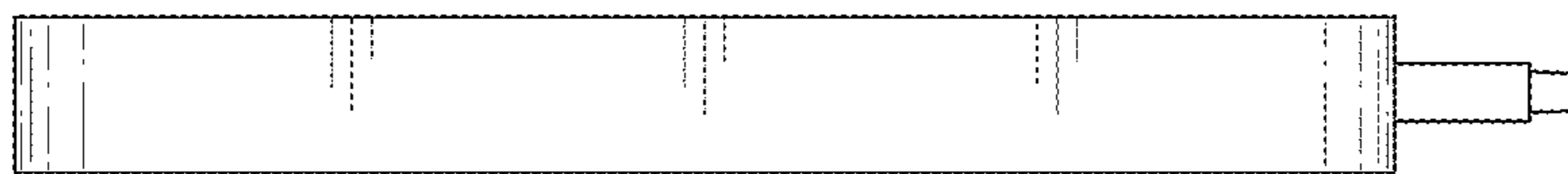
1.3



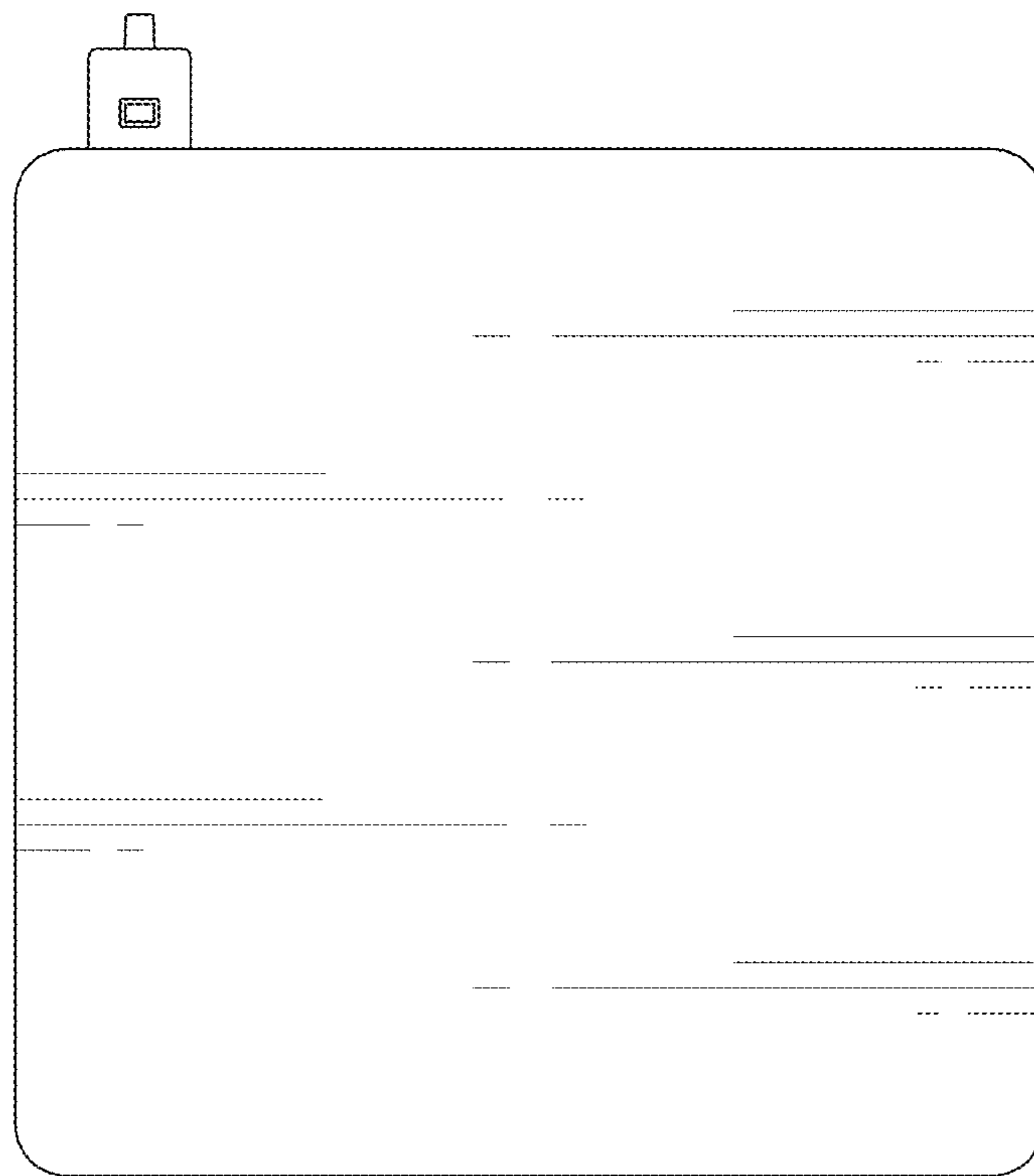
1.4



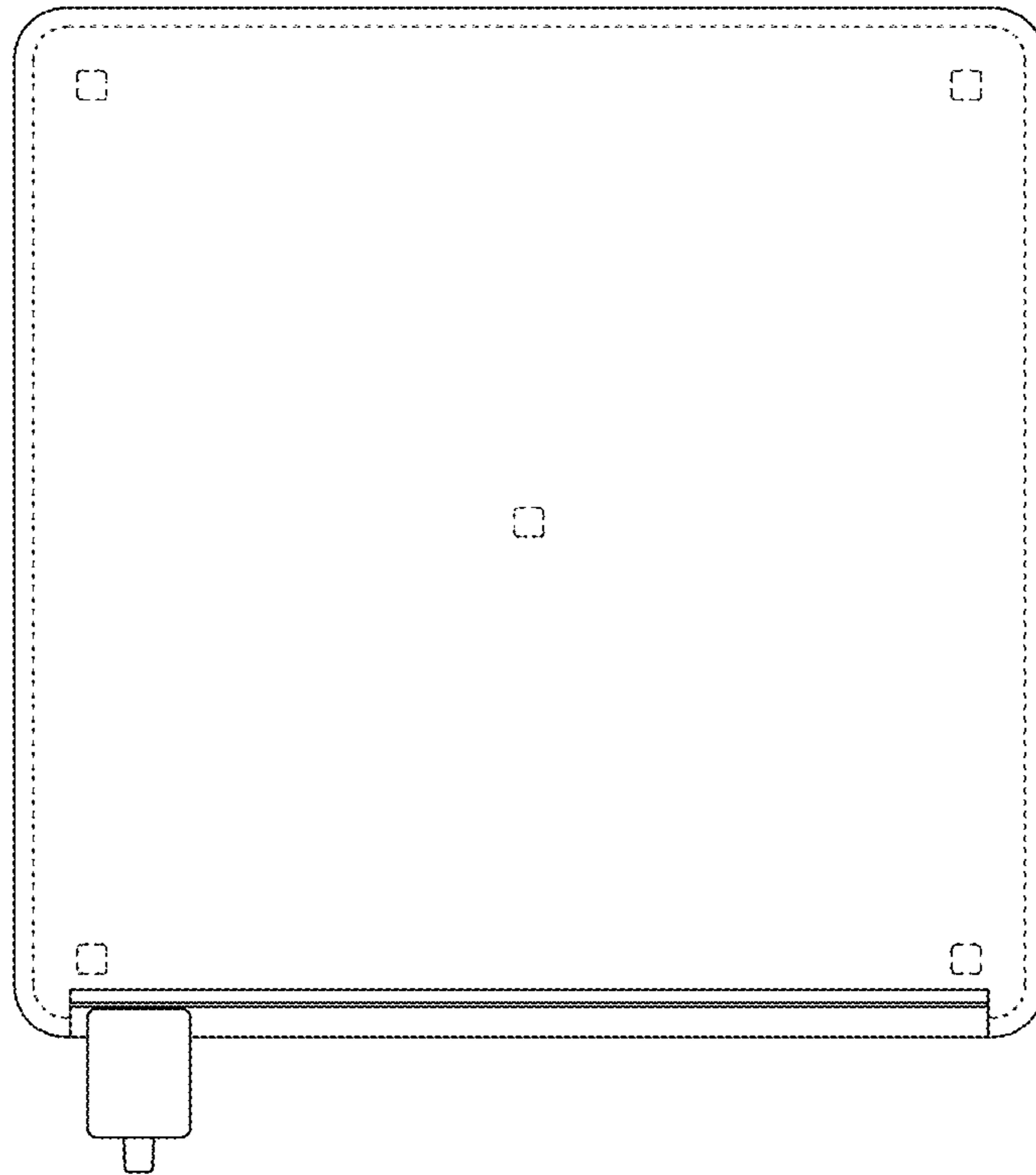
1.5



1.6



1.7



1.8

