



US00D817286S

(12) **United States Design Patent** (10) **Patent No.:** **US D817,286 S**  
**Okamoto et al.** (45) **Date of Patent:** **\*\* May 8, 2018**

(54) **OPTICAL FIBER ARRAY**  
(71) Applicant: **ADAMANT CO., LTD.**, Tokyo (JP)  
(72) Inventors: **Tsutomu Okamoto**, Kawaguchi (JP);  
**Yuki Ueno**, Tokyo (JP); **Yoshihiro Iijima**, Tokyo (JP)  
(73) Assignee: **ADAMANT CO., LTD.**, Tokyo (JP)  
(\*\*) Term: **15 Years**  
(21) Appl. No.: **29/535,419**  
(22) Filed: **Aug. 6, 2015**

(30) **Foreign Application Priority Data**  
Feb. 23, 2015 (JP) ..... 2015-003656  
(51) **LOC (11) Cl.** ..... **13-99**  
(52) **U.S. Cl.**  
USPC ..... **D13/199**  
(58) **Field of Classification Search**  
USPC ..... D13/101, 110-118, 12, 162, 184, 199;  
D15/3, 5, 199; 74/606 R, 609; 310/10,  
310/40 MM, 40 R, 42, 51, 52, 58, 64, 71,  
310/80, 83, 85, 88, 89, 91, 109, 236, 239,  
310/254; 318/244-5; 322/16, 29;  
29/596-598  
CPC ..... F02B 63/04; H02K 3/24; H02K 3/47  
See application file for complete search history.

(56) **References Cited**  
U.S. PATENT DOCUMENTS  
4,778,403 A \* 10/1988 Ikesugi ..... H01R 12/79  
439/329  
D332,253 S \* 1/1993 Bossard ..... D13/156  
D347,371 S \* 5/1994 Konik ..... D8/51  
5,727,968 A \* 3/1998 Ito ..... H01R 12/777  
439/495

D477,285 S \* 7/2003 Miyamoto ..... D13/147  
D589,447 S \* 3/2009 Sasada ..... D13/133  
D611,903 S \* 3/2010 Karabcievschy ..... D13/133  
D619,100 S \* 7/2010 Larson ..... D13/154  
D651,172 S \* 12/2011 Yamauchi ..... D13/133  
D673,501 S \* 1/2013 Yang ..... D13/133  
D708,143 S \* 7/2014 Starke ..... D13/147  
2002/0025104 A1 \* 2/2002 Steinberg ..... G02B 6/3508  
385/16

\* cited by examiner

*Primary Examiner* — Derrick Holland  
*Assistant Examiner* — Jennifer O King  
(74) *Attorney, Agent, or Firm* — Oliff PLC

(57) **CLAIM**

The ornamental design for an optical fiber array, as shown and described.

**DESCRIPTION**

FIG. 1 is a front view of an optical fiber array showing our new design, the rear view being a mirror image thereto; FIG. 2 is a right side view thereof; FIG. 3 is a left side view thereof; FIG. 4 is a top plan view thereof; FIG. 5 is a bottom view thereof; FIG. 6 is a sectional view taken along lines 6-6 in FIG. 5; FIG. 7 is a partially enlarged view of a portion surrounded by lines 7-7 in FIG. 5; FIG. 8 is a perspective view thereof; and, FIG. 9 is a perspective view showing the optical fiber array of FIG. 1 in a state of Use.  
The broken lines shown represent unclaimed subject matter and form no part of the claimed design.  
The article pertaining to the design of the subject application constitutes an optical fiber array to be used to connect a plurality of optical fibers.

**1 Claim, 9 Drawing Sheets**

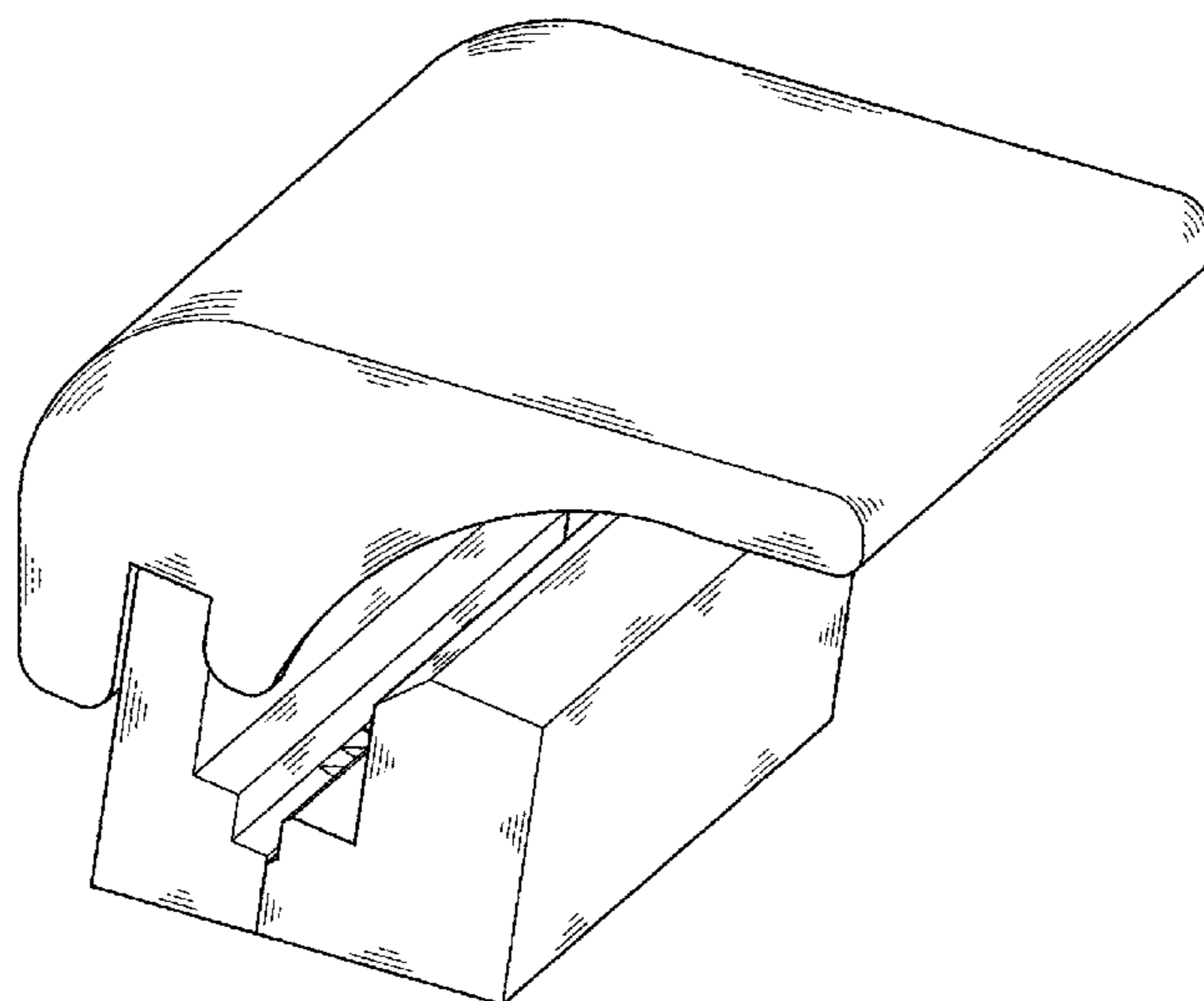


Fig.1

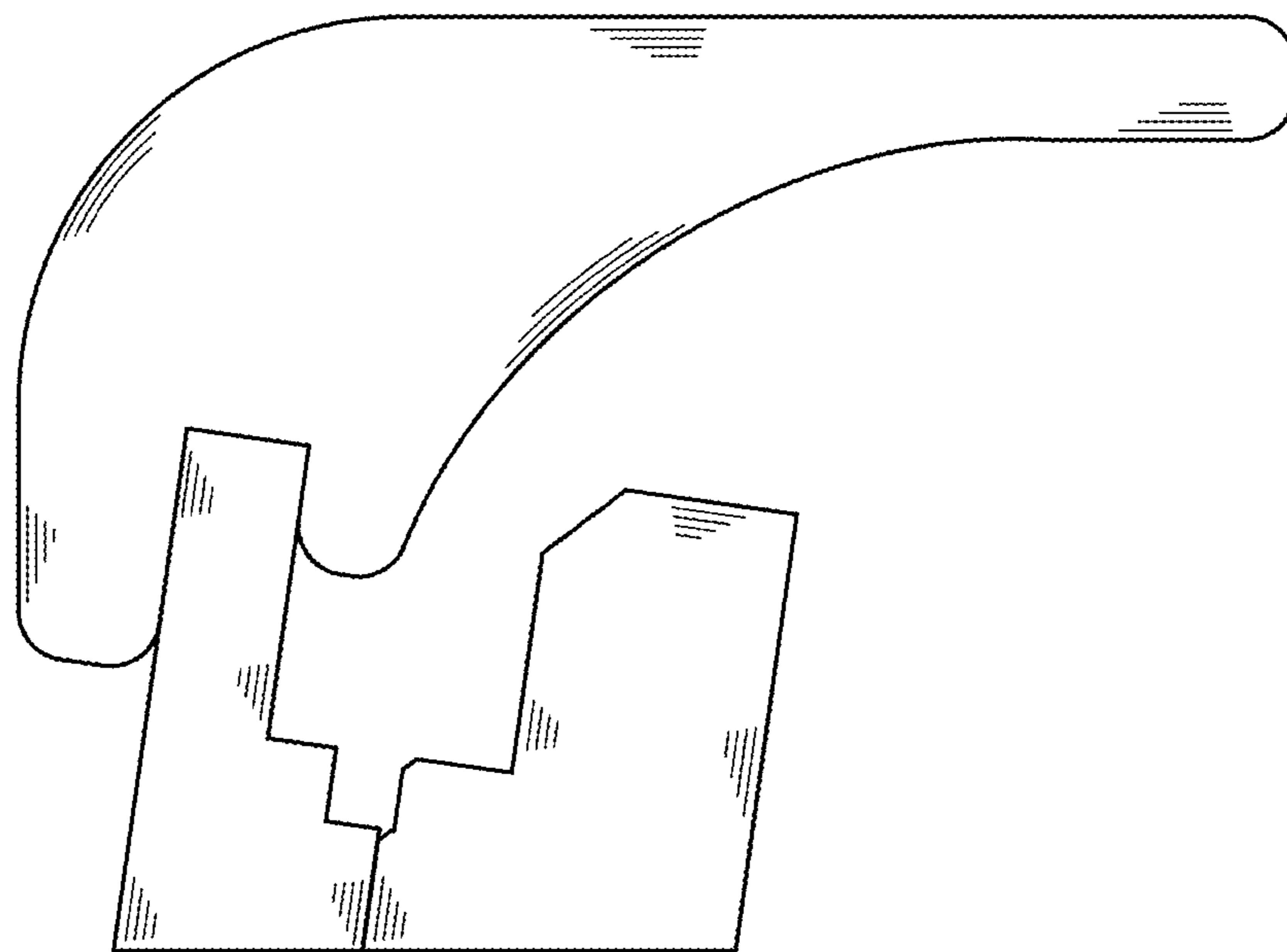


Fig.2

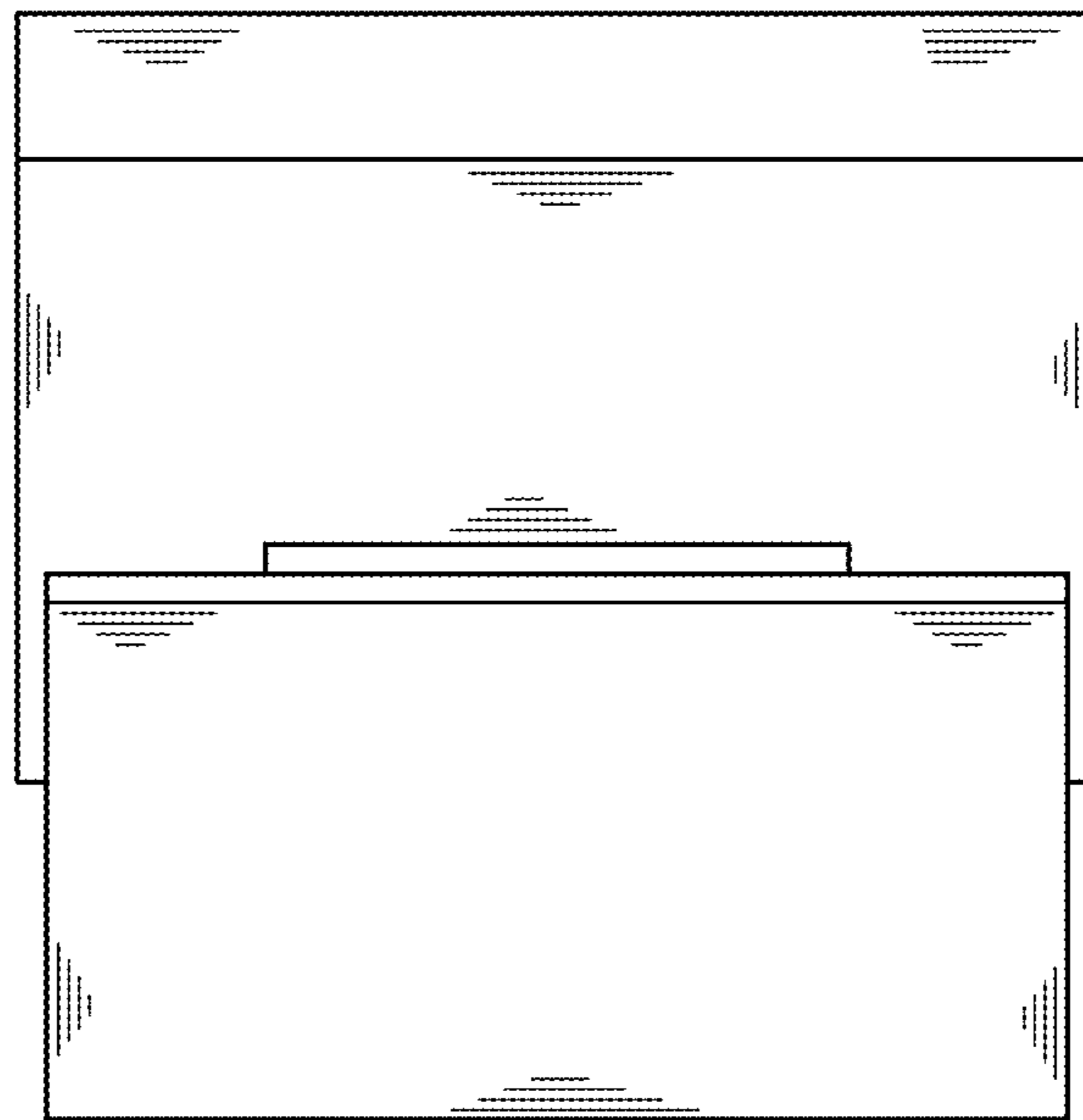


Fig.3

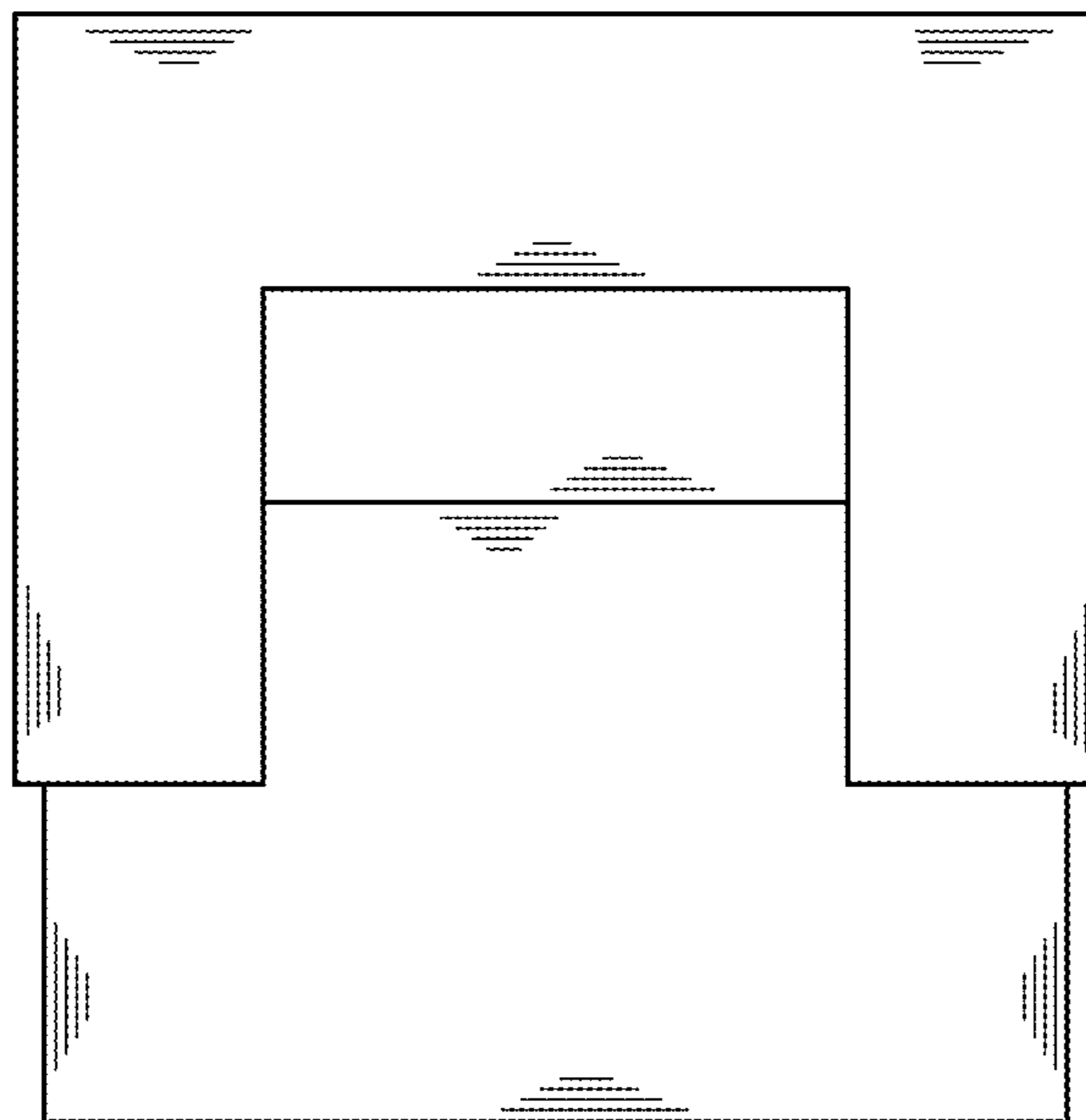


Fig.4

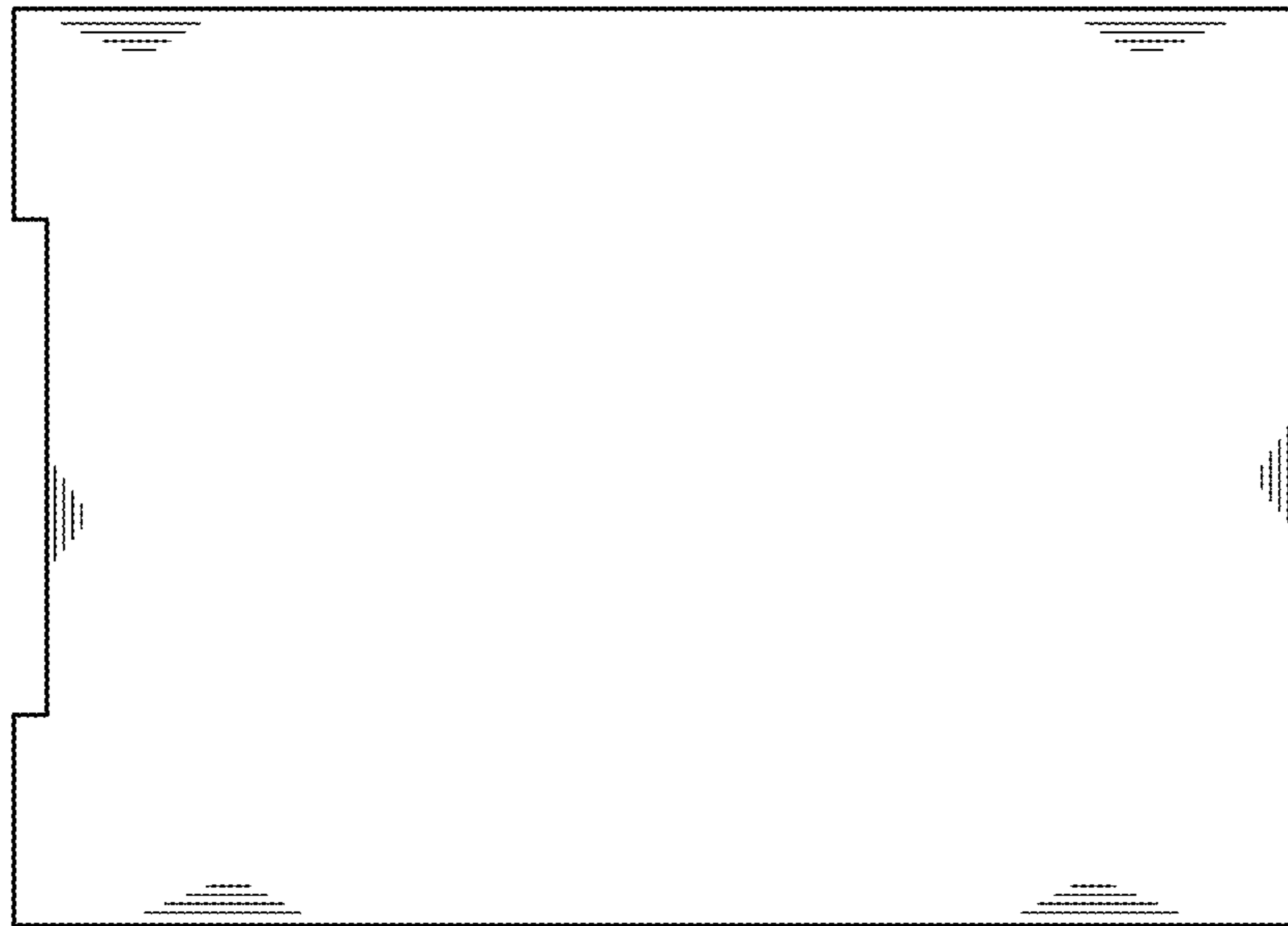


Fig.5

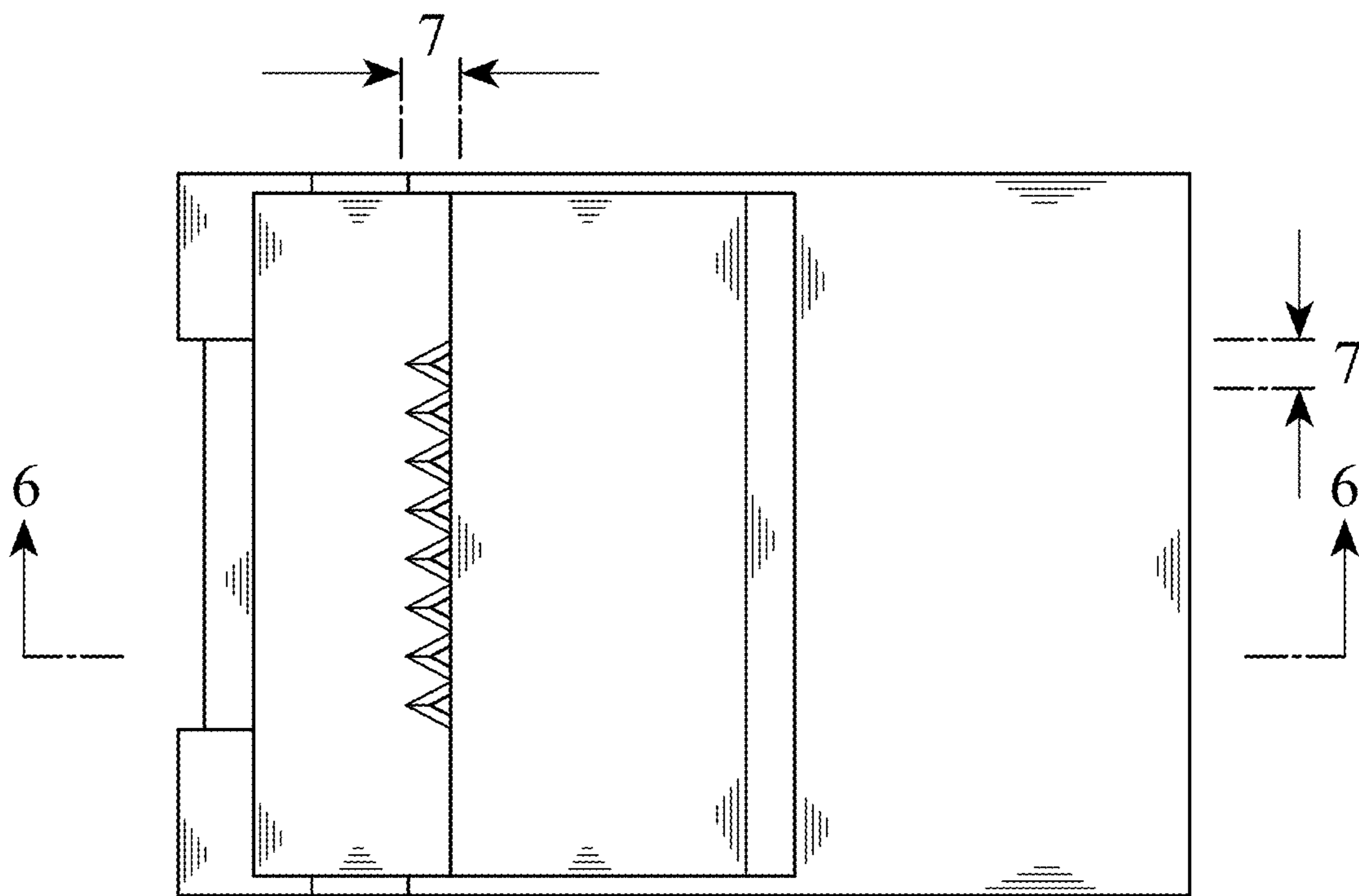


Fig.6

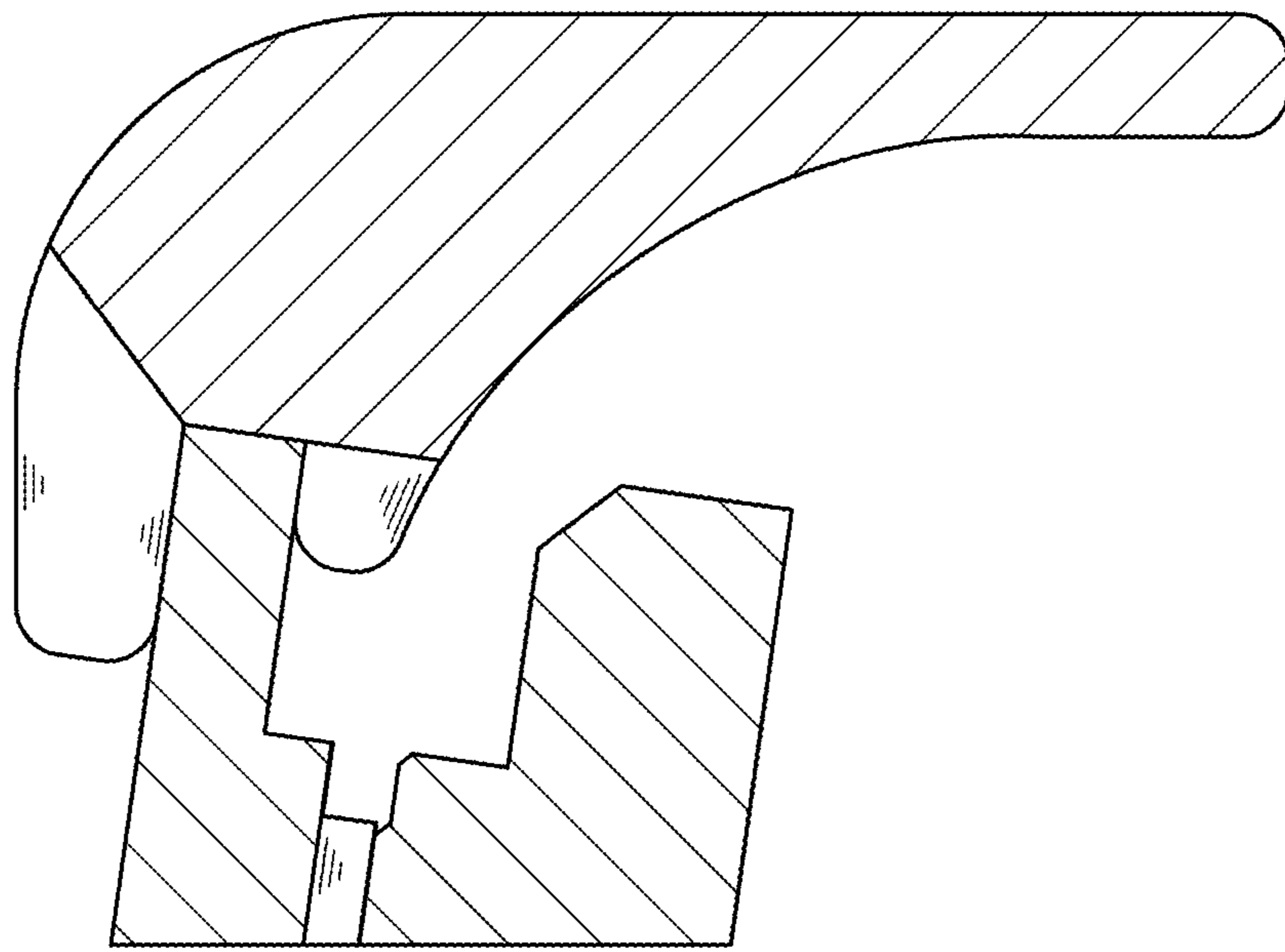


Fig.7

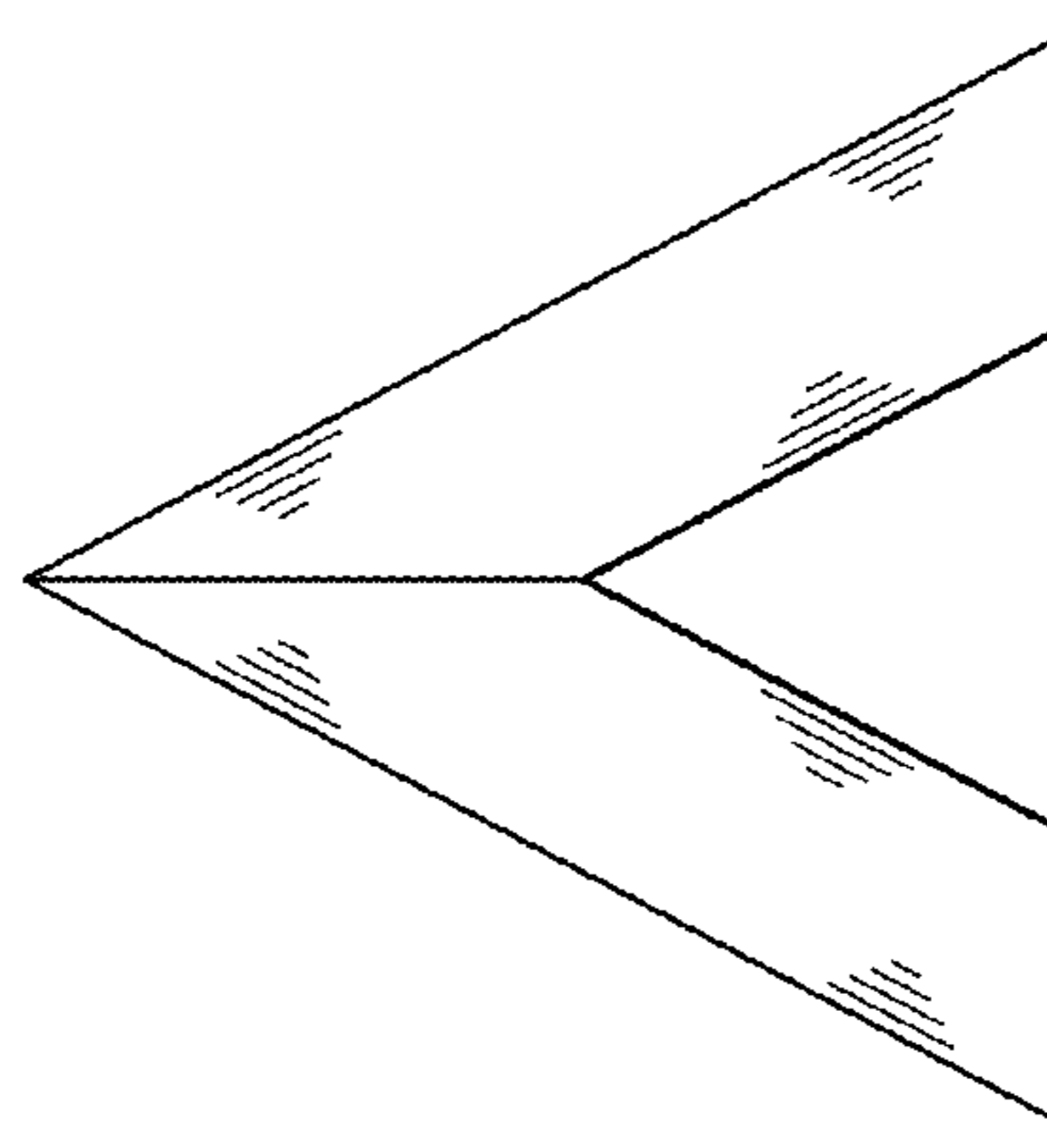




Fig.8

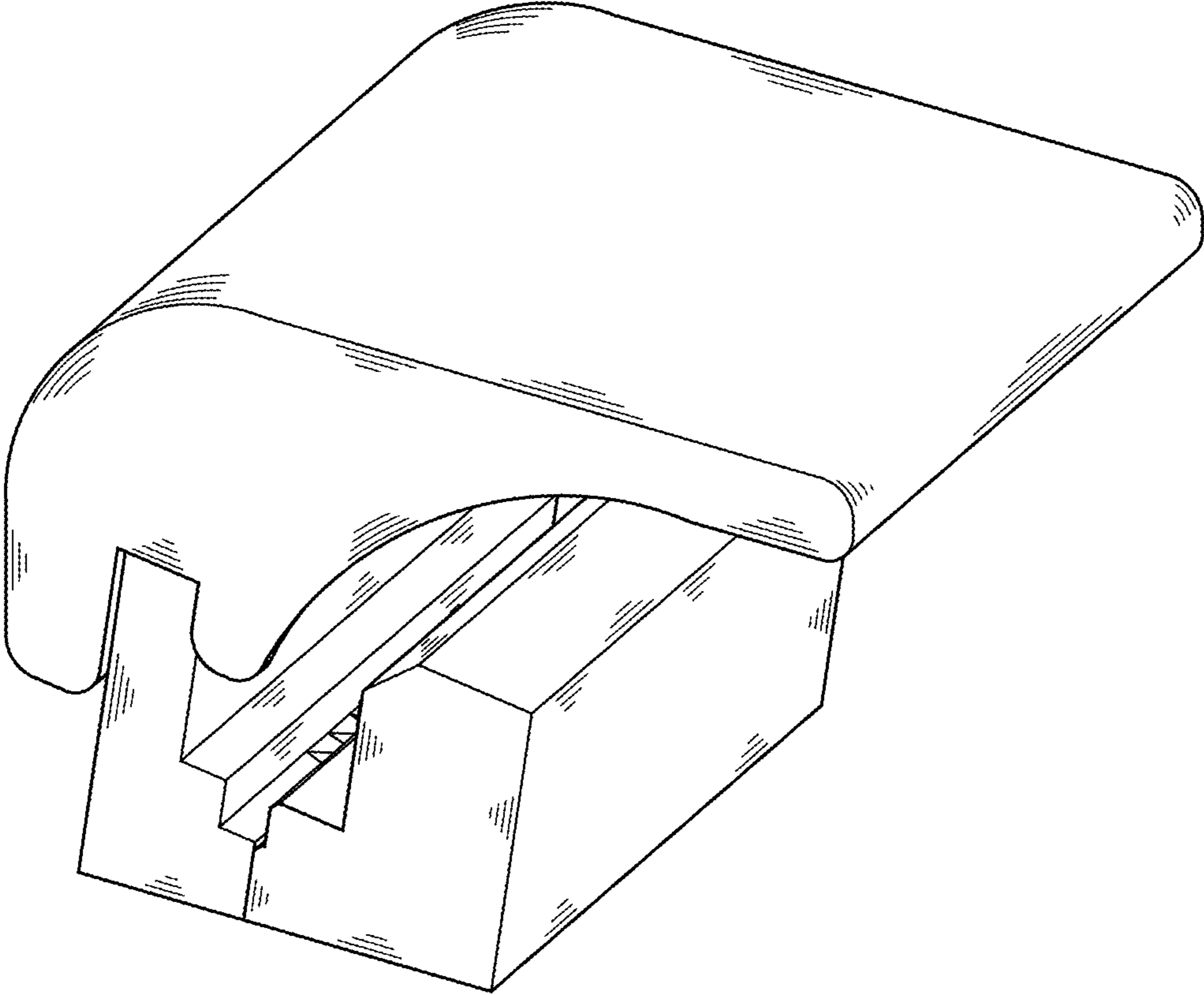


Fig.9

