



US00D817285S

(12) **United States Design Patent**  
**Cai et al.**

(10) **Patent No.:** **US D817,285 S**  
(45) **Date of Patent:** **\*\* May 8, 2018**

- (54) **MAGNETIC CHUCK**
- (71) Applicant: **ROE Visual Co., Ltd.**, Shenzhen, Guangdong (CN)
- (72) Inventors: **Danhu Cai**, Guangdong (CN); **Zhanqiang Li**, Guangdong (CN); **Hong Zhang**, Guangdong (CN); **Xuhua Jiang**, Guangdong (CN)
- (73) Assignee: **ROE Visual Co., Ltd.**, Shenzhen (CN)
- (\*\*) Term: **15 Years**
- (21) Appl. No.: **29/581,533**
- (22) Filed: **Oct. 19, 2016**
- (51) **LOC (11) Cl.** ..... **13-99**
- (52) **U.S. Cl.**  
USPC ..... **D13/183**
- (58) **Field of Classification Search**  
USPC ..... D8/14, 72, 74, 80, 88, 356; D13/102, D13/133, 137.1, 139.1, 146, 147, 148, D13/149, 150, 151, 153, 154, 156, 160, D13/164, 184, 187, 199  
CPC ..... G09F 9/3026; G09F 9/302; G09F 9/33; G06F 3/0202; H05K 13/08; F16K 37/0033  
See application file for complete search history.

- 5,113,163 A \* 5/1992 Leupold ..... H01F 6/06 174/125.1
- 5,541,563 A \* 7/1996 Leupold ..... H01F 6/06 335/216
- D588,916 S \* 3/2009 DeMarco ..... D9/504
- D713,365 S \* 9/2014 Green ..... D13/183
- D747,280 S \* 1/2016 Hedgecock ..... D13/183
- 2013/0240694 A1\* 9/2013 Voves ..... B25H 3/00 248/206.5
- 2014/0088337 A1\* 3/2014 Hedgecock ..... A61N 2/12 600/9

\* cited by examiner

*Primary Examiner* — Mary Ann Calabrese  
*Assistant Examiner* — Catherine Ho

(57) **CLAIM**

The ornamental design for a magnetic chuck, as shown and described.

**DESCRIPTION**

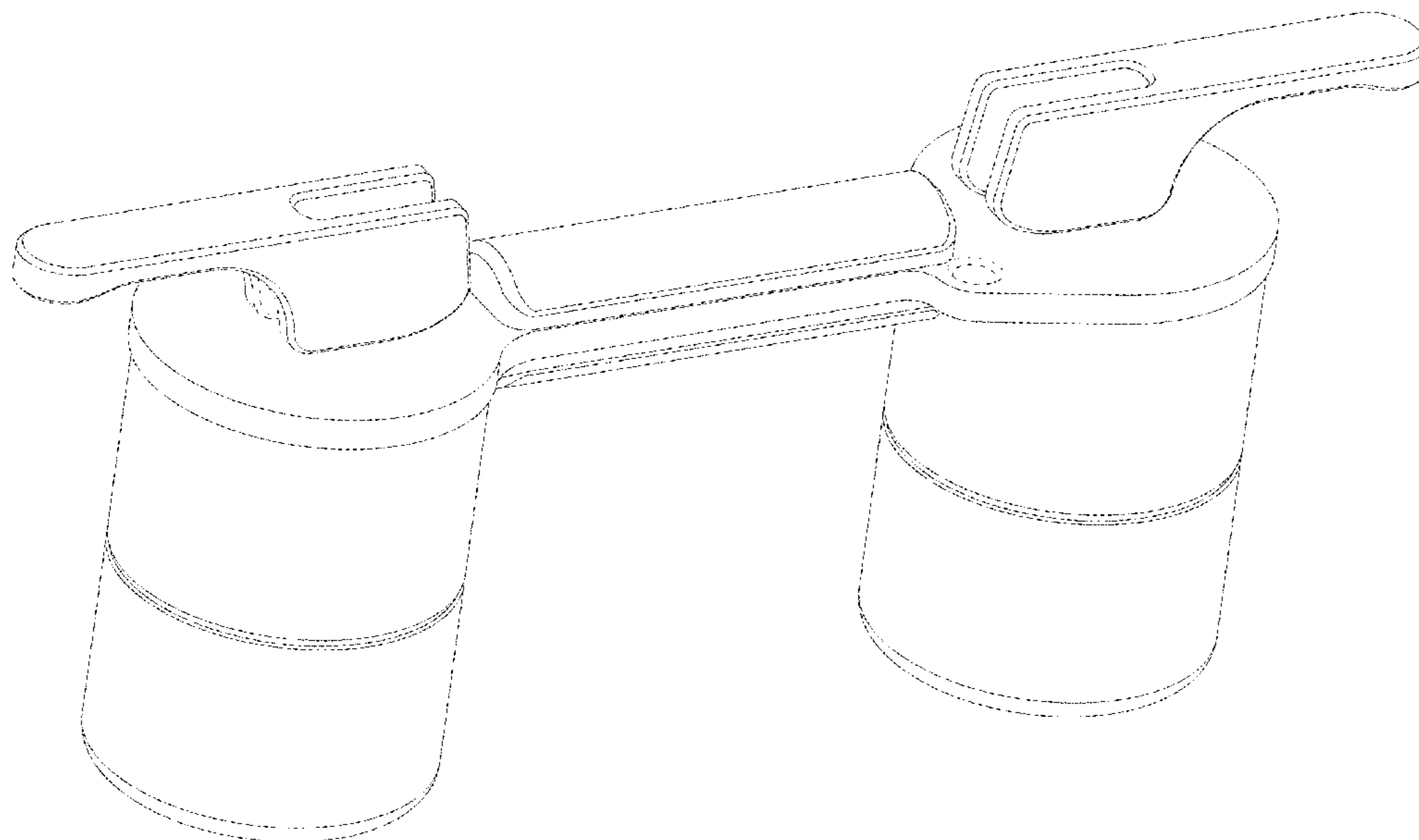
FIG. 1 is a top, front perspective view of a magnetic chuck showing our new design;  
 FIG. 2 is a bottom, front perspective view thereof;  
 FIG. 3 is a side perspective view thereof;  
 FIG. 4 is a front, side perspective view thereof;  
 FIG. 5 is a top perspective view thereof;  
 FIG. 6 is another side perspective view thereof;  
 FIG. 7 is another top, front perspective view thereof;  
 FIG. 8 is a top, back perspective view thereof;  
 FIG. 9 is a bottom, back perspective view thereof;  
 FIG. 10 is a back perspective view thereof;  
 FIG. 11 is a side, bottom perspective view thereof; and,  
 FIG. 12 is another side perspective view thereof.  
 The broken lines in the drawings illustrate portions of the magnetic chuck which form no part of the claimed design.

**1 Claim, 12 Drawing Sheets**

(56) **References Cited**

**U.S. PATENT DOCUMENTS**

- 2,948,871 A \* 8/1960 Craige ..... H01F 30/10 336/134
- D263,581 S \* 3/1982 Kaye ..... D13/103
- 4,455,895 A \* 6/1984 Christensen ..... B67B 7/403 7/901



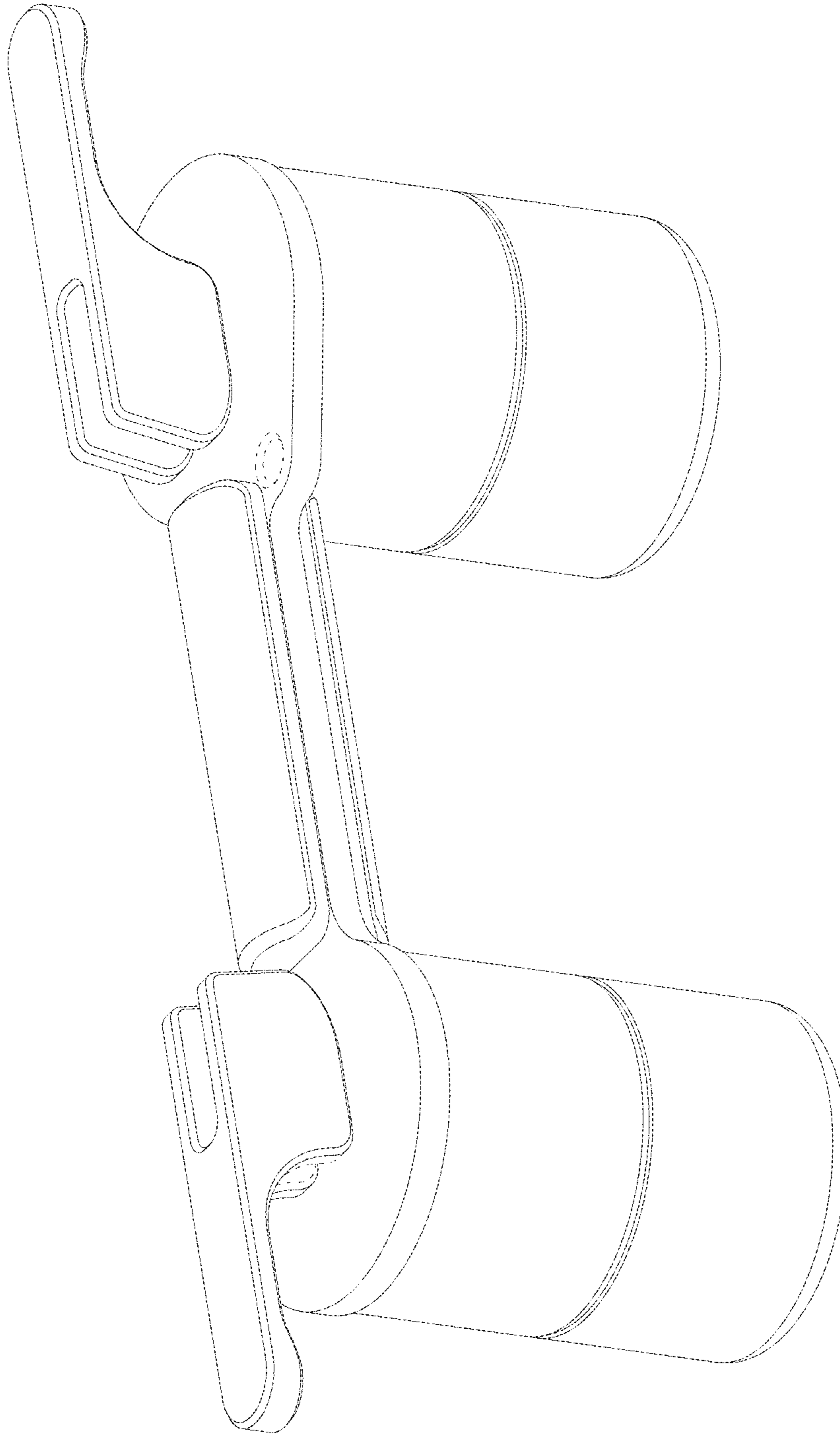


Fig. 1

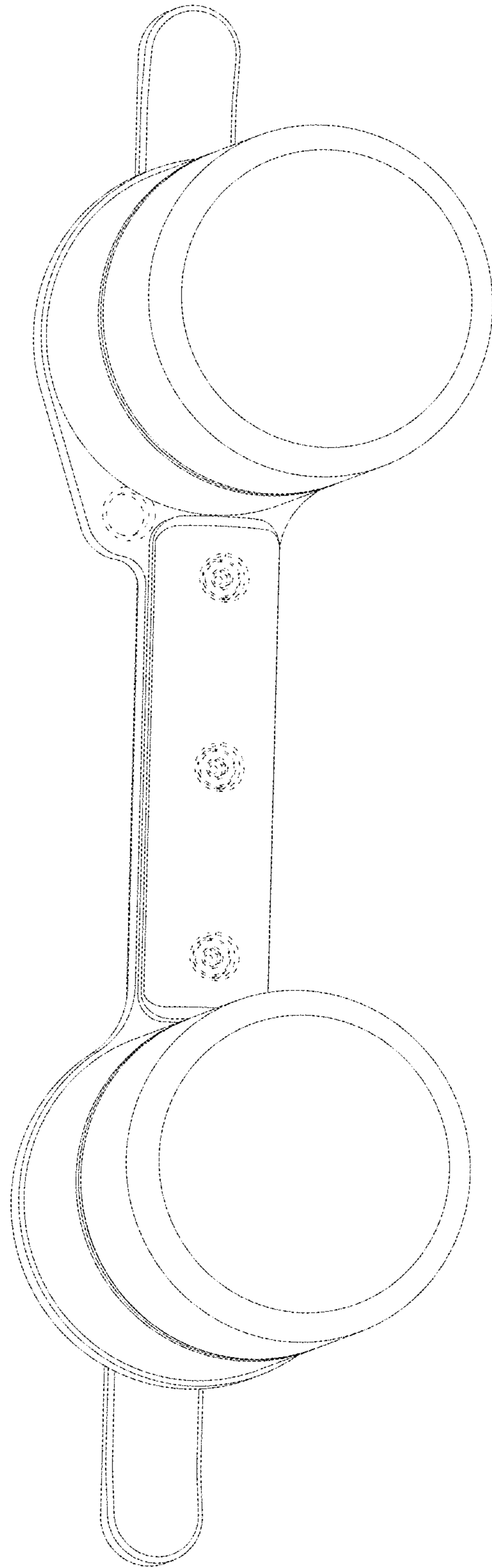


Fig. 2

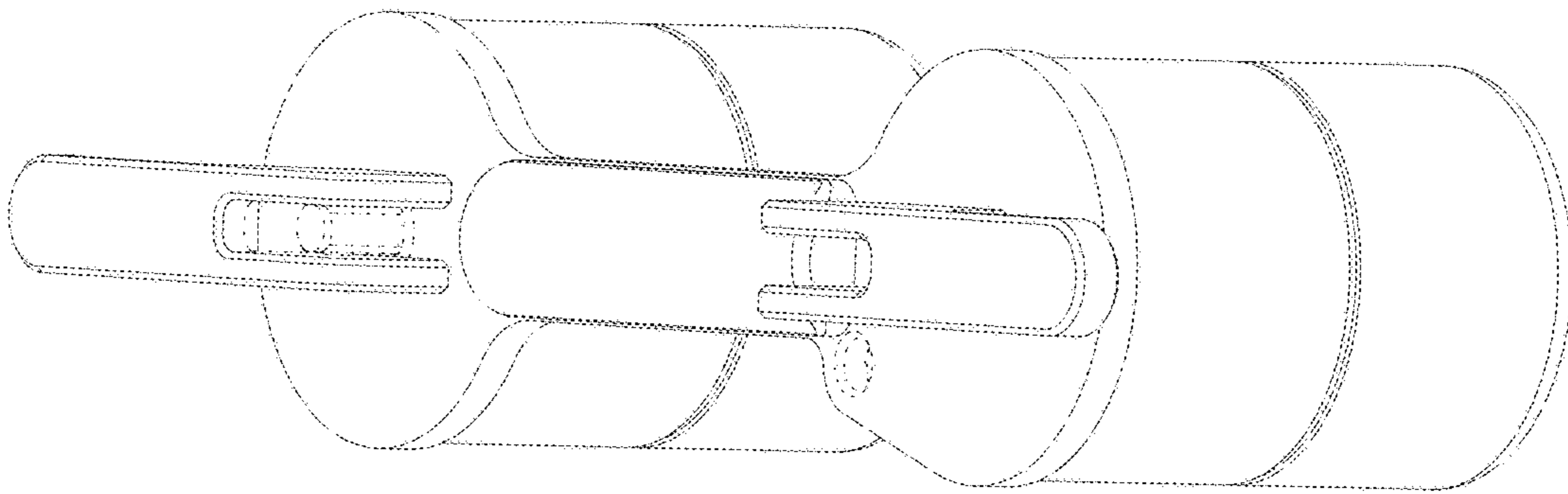


Fig. 3

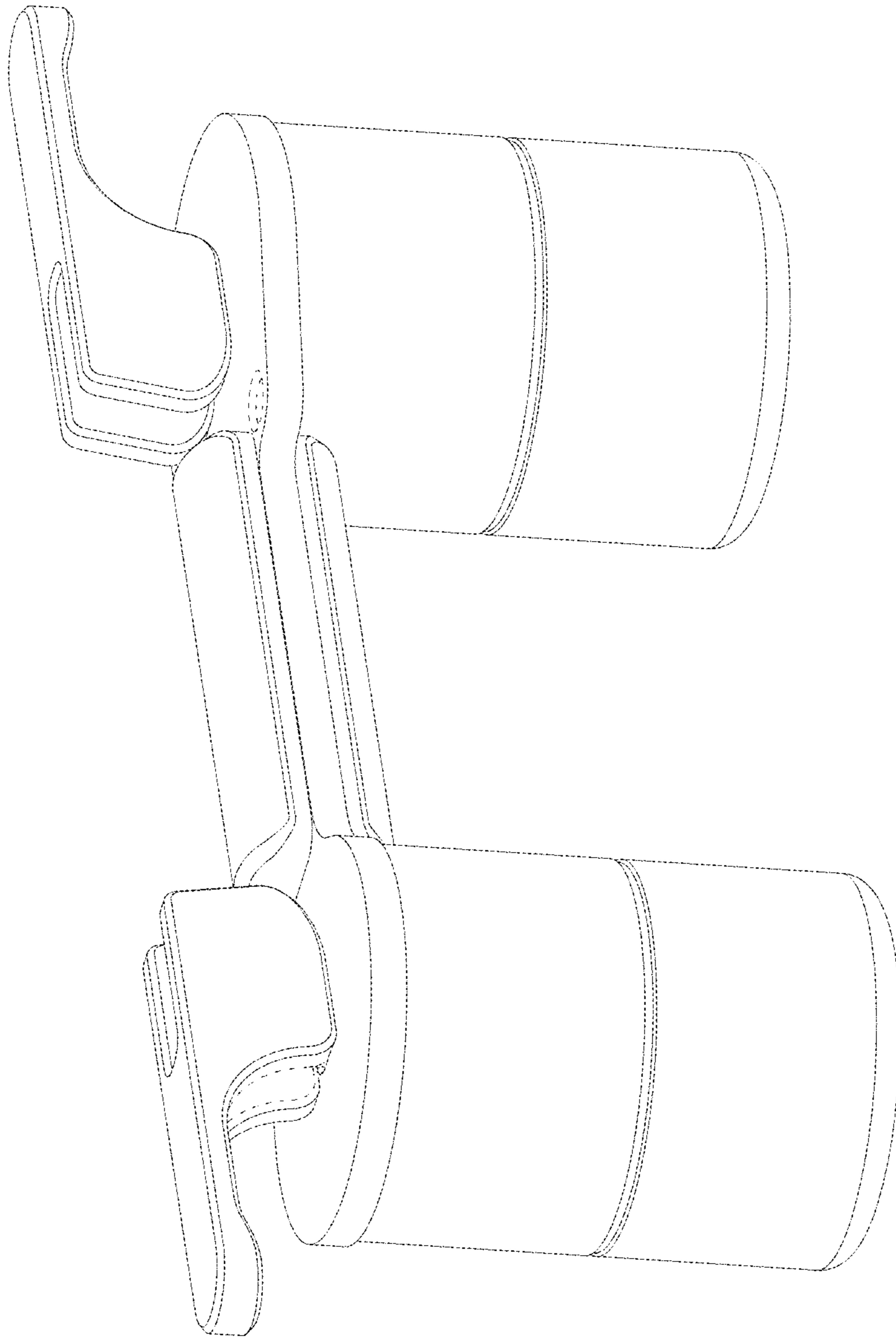


Fig. 4

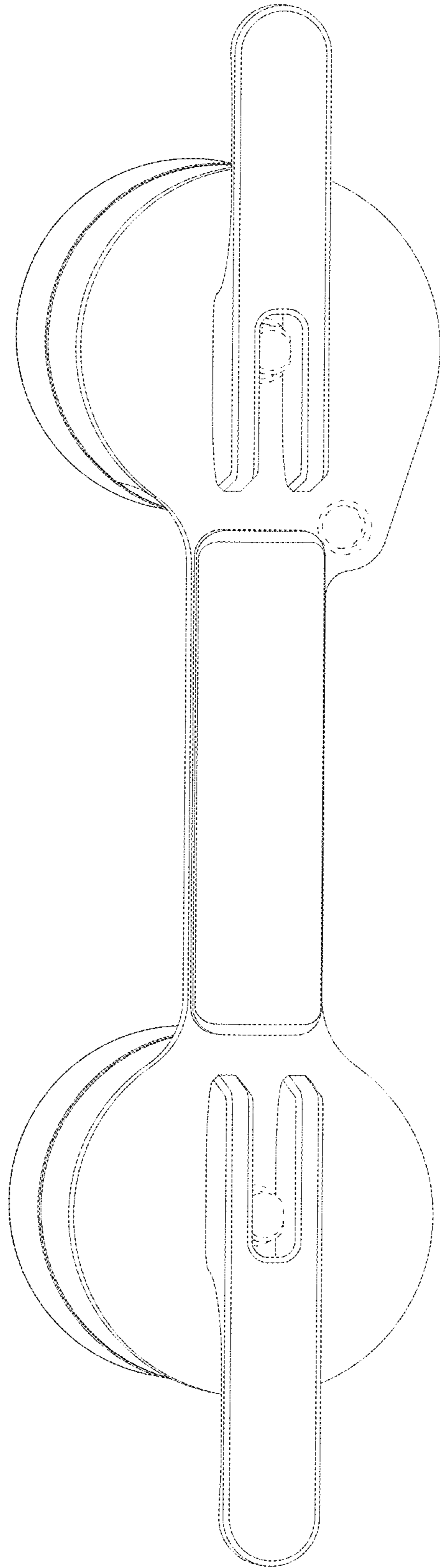


Fig. 5



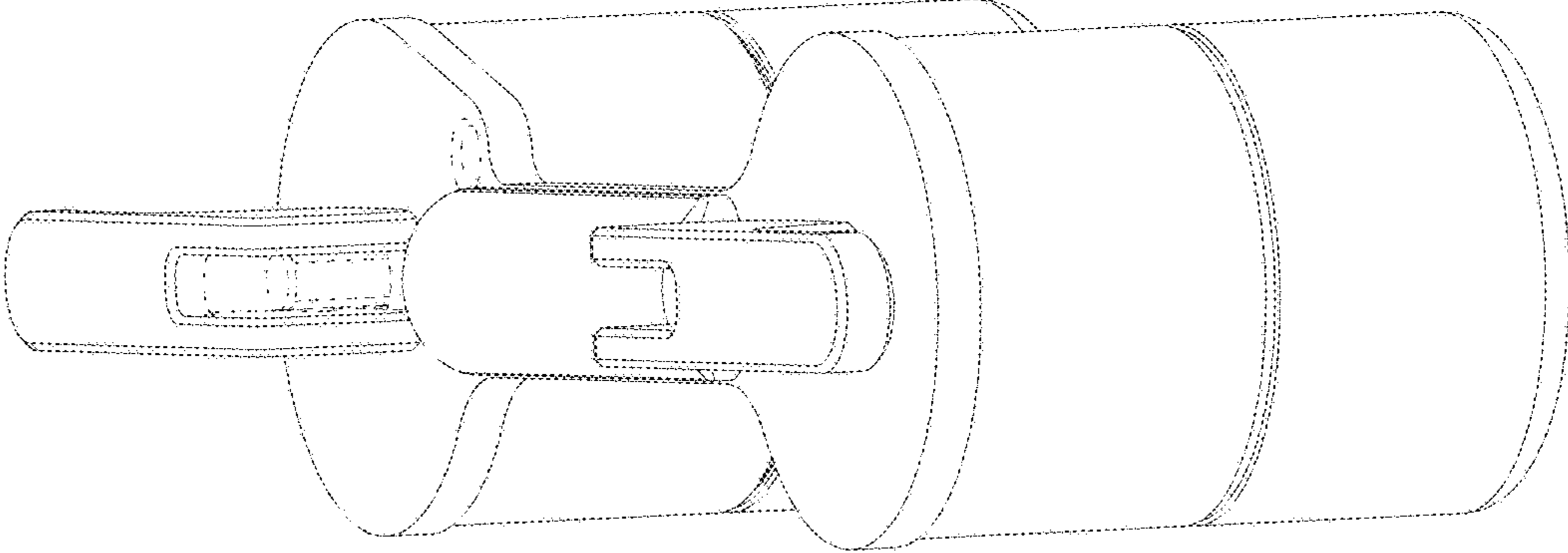


Fig. 6

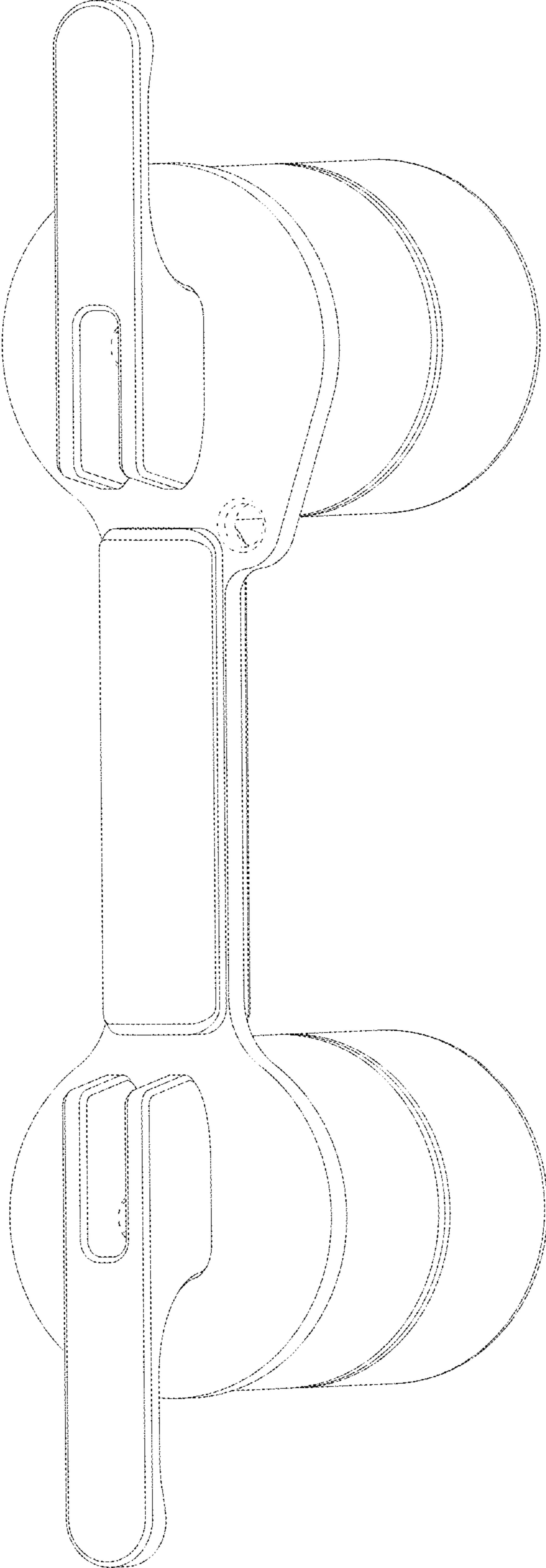


Fig. 7



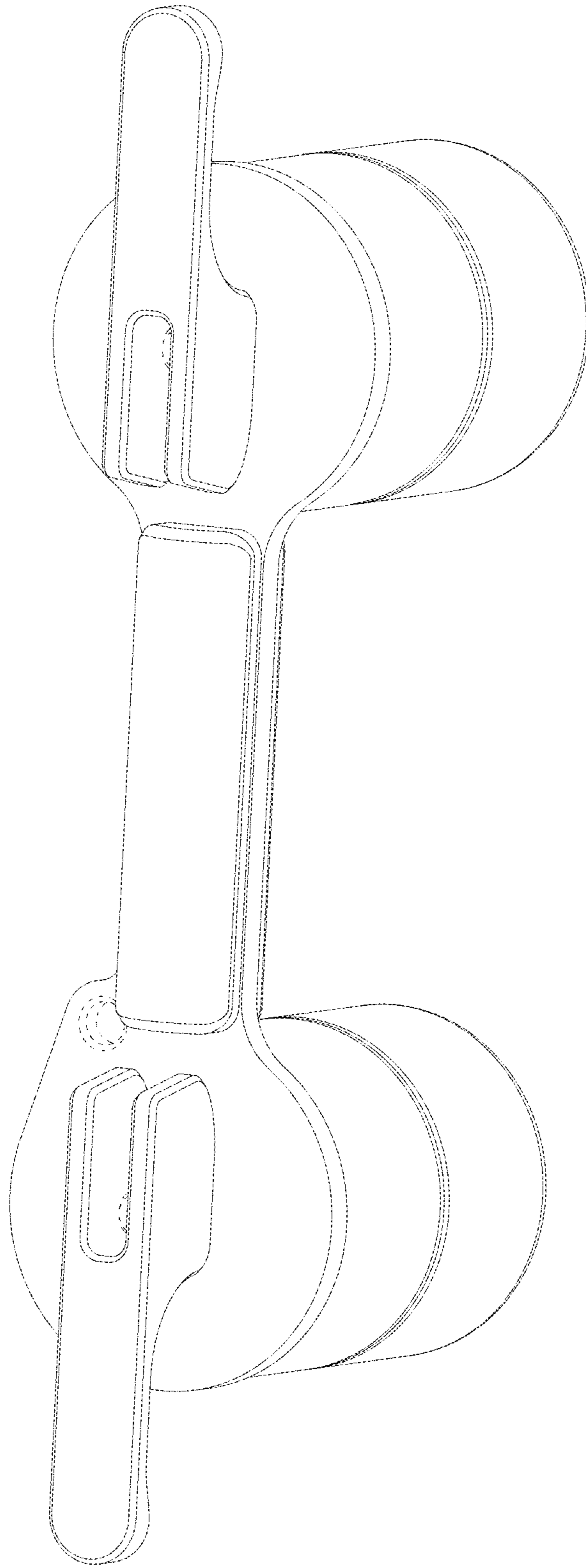


Fig. 8

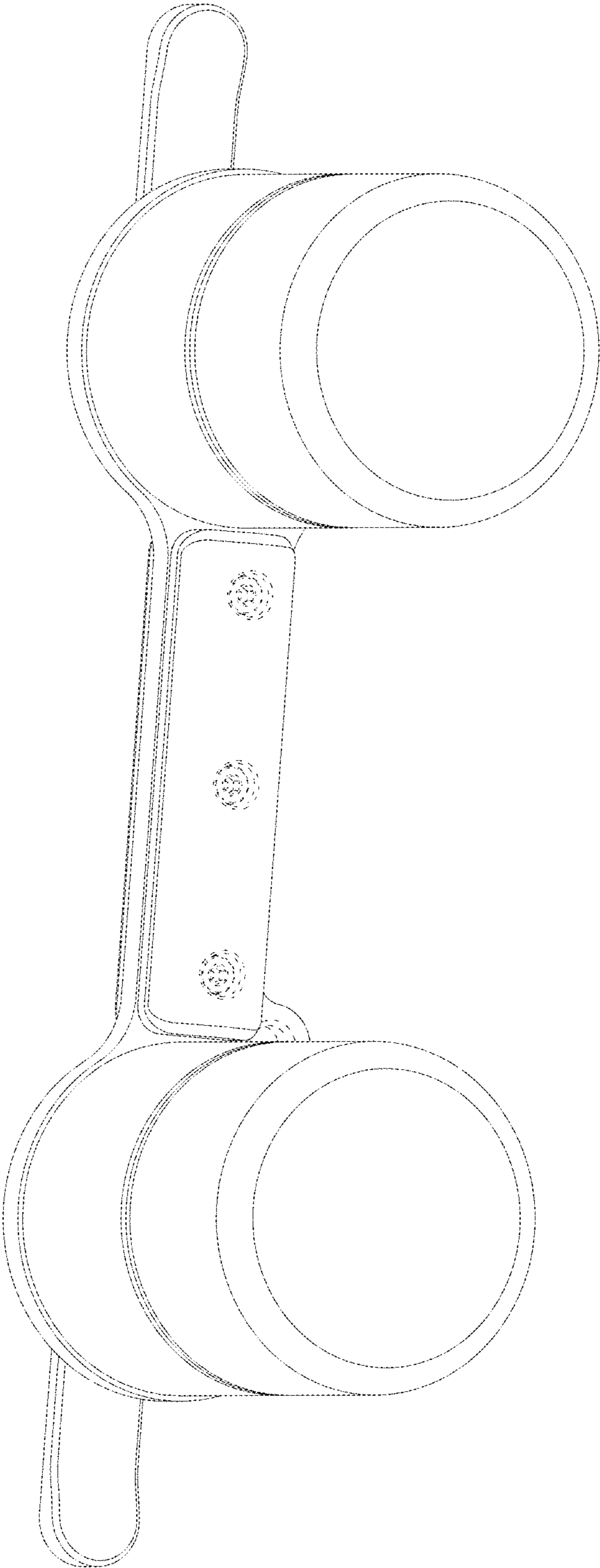


Fig. 9

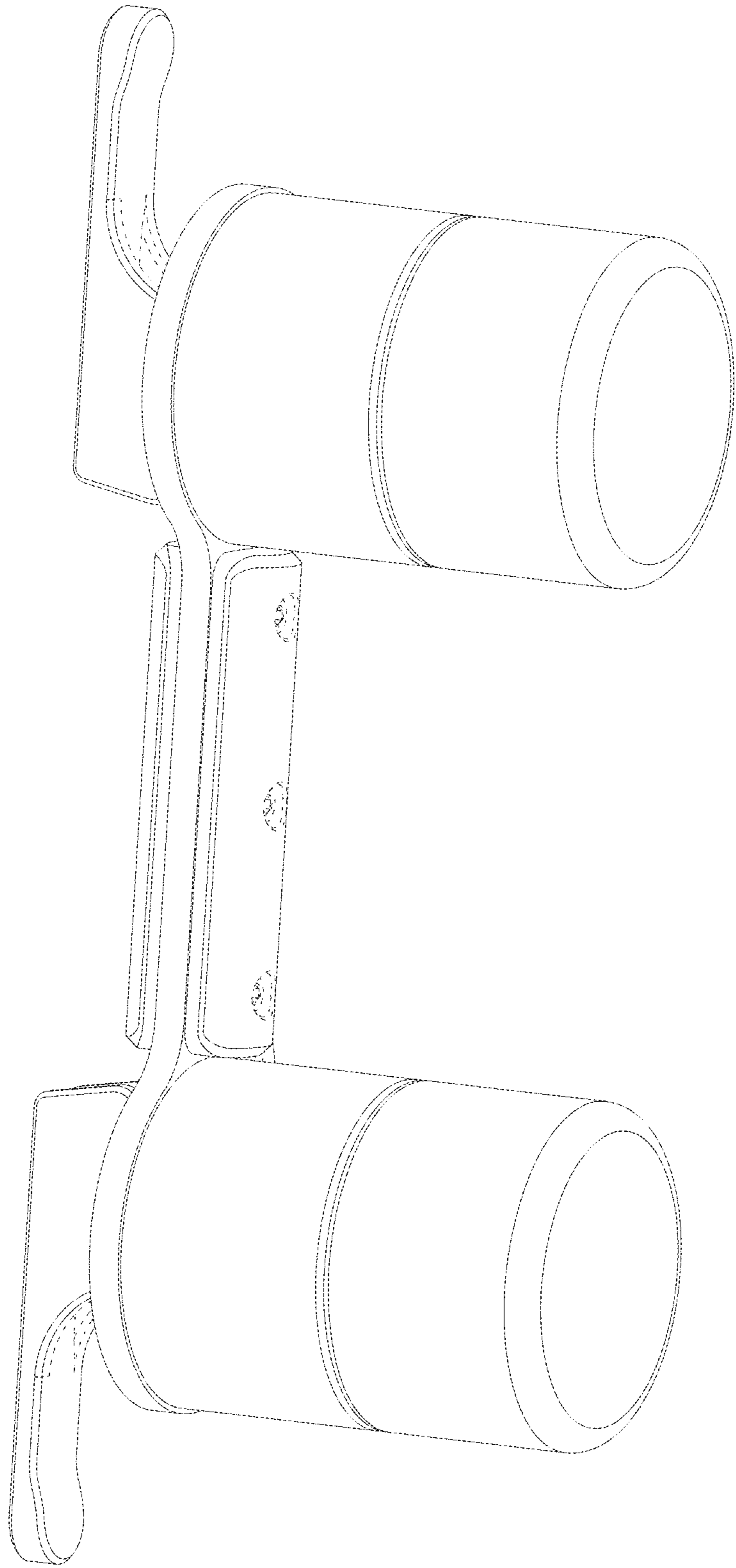


Fig. 10

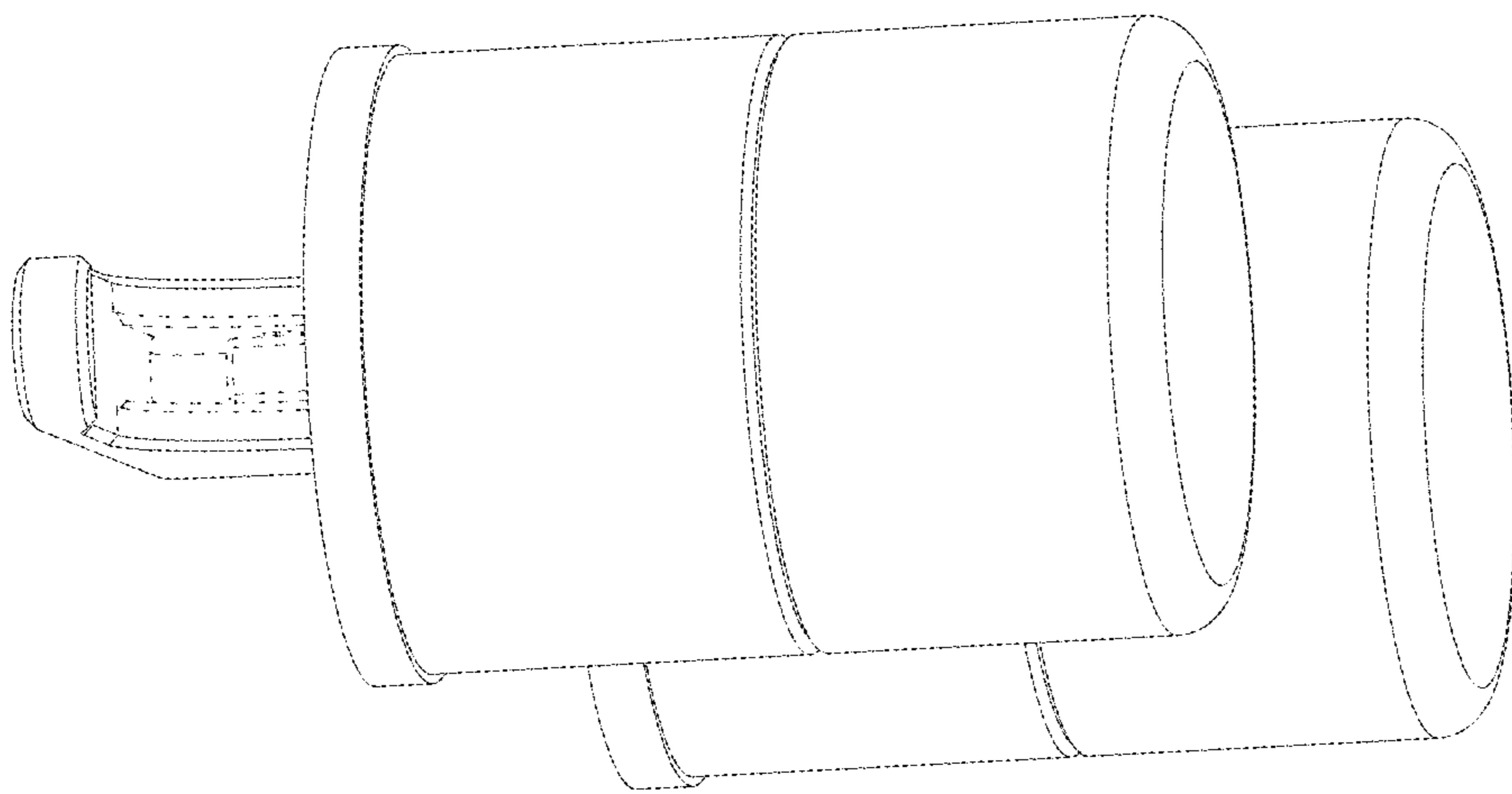


Fig. 11

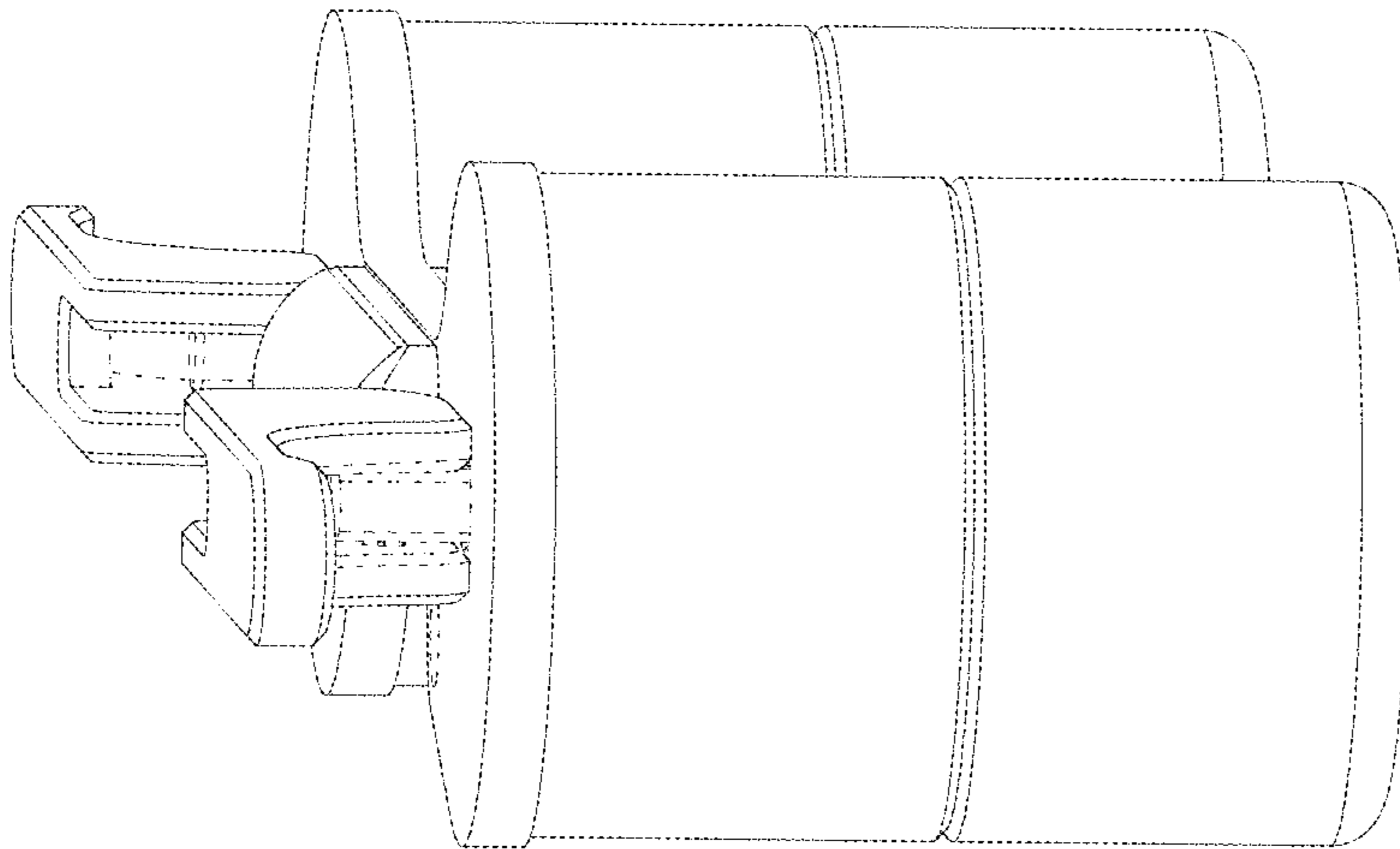


Fig. 12