



US00D817284S

(12) **United States Design Patent** (10) **Patent No.:** **US D817,284 S**  
**Gage et al.** (45) **Date of Patent:** **\*\* \*May 8, 2018**

- (54) **KEYPAD**
- (71) Applicant: **Lutron Electronics Co., Inc.**,  
Coopersburg, PA (US)
- (72) Inventors: **Alexander Wade Gage**, Havertown, PA  
(US); **Elliot G. Jacoby**, Glenside, PA  
(US); **Jason C. Killo**, Emmaus, PA  
(US); **Brad Michael Kreschollek**,  
Bethlehem, PA (US); **Daniel Curtis**  
**Raneri**, Bethlehem, PA (US)
- (73) Assignee: **Lutron Electronics Co., Inc.**,  
Coopersburg, PA (US)

- D465,460 S 11/2002 Mayo et al.
- D563,901 S 3/2008 Mayo et al.
- D566,048 S 4/2008 Mace et al.
- D566,658 S 4/2008 Mayo et al.
- D568,828 S 5/2008 Mayo et al.
- D570,299 S 6/2008 Jacoby et al.
- D572,202 S 7/2008 Jacoby et al.
- D572,208 S 7/2008 Mayo et al.
- D572,667 S 7/2008 Mayo et al.
- D573,956 S 7/2008 Hollner et al.
- 7,641,491 B2 1/2010 Altonen et al.
- D624,881 S 10/2010 Altonen et al.
- D624,882 S 10/2010 Altonen et al.
- 7,872,429 B2 1/2011 Steiner et al.

(Continued)

(\* ) Notice: This patent is subject to a terminal disclaimer.

(\*\*) Term: **15 Years**

(21) Appl. No.: **29/590,669**

(22) Filed: **Jan. 12, 2017**

**Related U.S. Application Data**

(63) Continuation of application No. 29/536,792, filed on Aug. 19, 2015, now Pat. No. Des. 779,445.

(51) **LOC (11) Cl.** ..... **13-03**

(52) **U.S. Cl.**  
USPC ..... **D13/174**

(58) **Field of Classification Search**  
USPC ..... D13/162, 164, 171, 174  
CPC .... G08C 17/02; H05B 33/0845; H05B 37/02;  
H05B 37/0272; H05B 39/02; H05B  
39/04; H05B 39/041; H05B 39/08; H05B  
39/085

See application file for complete search history.

(56) **References Cited**

**U.S. PATENT DOCUMENTS**

- D436,930 S 1/2001 Butler et al.
- D453,742 S 2/2002 Butler et al.

**OTHER PUBLICATIONS**

Lightolier, Specification Sheet for iGen DALI 4-Button Scene Controller Model No. DA-WS4SS-7, 2007, 2 pages.

(Continued)

*Primary Examiner* — Selina Sikder

(74) *Attorney, Agent, or Firm* — Saidman DesignLaw Group, LLC

(57) **CLAIM**

The ornamental design for a keypad, as shown and described.

**DESCRIPTION**

FIG. 1 is a front perspective view of a keypad showing our new design;

FIG. 2 is a front view thereof;

FIG. 3 is a left side view thereof;

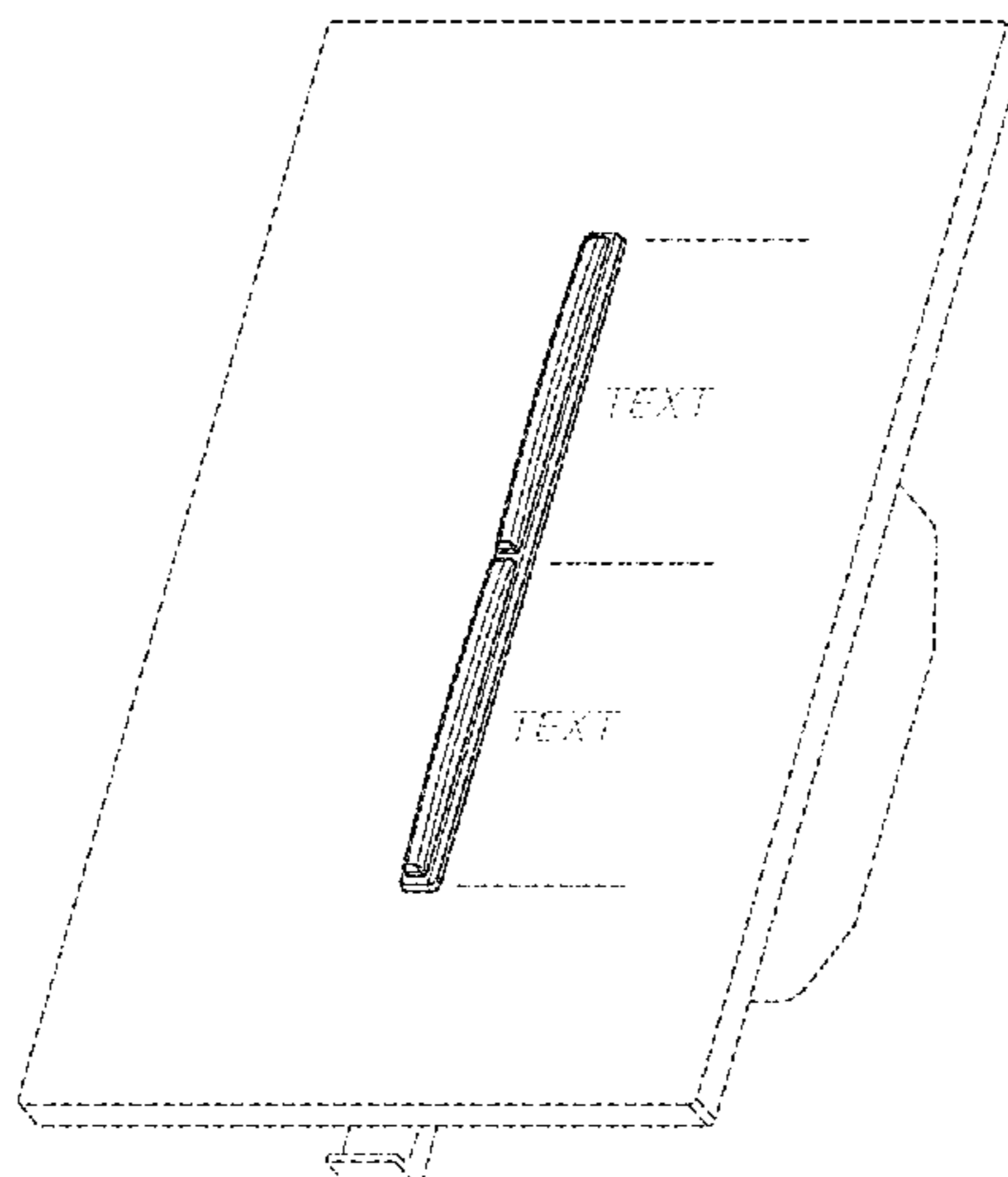
FIG. 4 is a right side view thereof;

FIG. 5 is a top view thereof; and,

FIG. 6 is a bottom view thereof.

The dashed broken lines represent structure or features which form no part of the claimed design; the broken lines themselves form no part of the claimed design.

**1 Claim, 4 Drawing Sheets**



(56)

**References Cited**

U.S. PATENT DOCUMENTS

D678,850	S	3/2013	Wisniewski et al.	
D705,179	S	5/2014	Wisniewski et al.	
9,167,666	B1	10/2015	Billheimer et al.	
9,389,769	B1	7/2016	O’Keeffe	
D770,393	S	11/2016	Jacoby et al.	
D775,975	S	1/2017	Jacoby et al.	
D779,445	S *	2/2017	Gage .....	D13/174
D780,133	S *	2/2017	Gage .....	D13/174
D780,702	S *	3/2017	Gage .....	D13/174
D784,272	S *	4/2017	Gage .....	D13/171
D784,273	S *	4/2017	Gage .....	D13/171
D784,274	S *	4/2017	Gage .....	D13/171
D784,275	S *	4/2017	Gage .....	D13/171
D792,859	S *	7/2017	Gage .....	D13/171
D793,348	S *	8/2017	Gage .....	D13/171
D793,349	S *	8/2017	Gage .....	D13/171
2007/0216318	A1	9/2007	Altonen et al.	
2007/0272532	A1	11/2007	Pessina et al.	
2007/0291010	A1	12/2007	Altonen et al.	
2008/0258644	A1	10/2008	Altonen et al.	
2009/0184652	A1	7/2009	Bollinger, Jr. et al.	
2016/0035217	A1 *	2/2016	Camden .....	G08C 17/02 340/12.5

OTHER PUBLICATIONS

INNCOM, GS-700 Family Glass Series Switches Sell Sheet, Nov. 2008, 2 pages.  
 U.S. Appl. No. 29/502,399, filed Sep. 16, 2014. (Unpublished).  
 U.S. Appl. No. 29/447,481, filed Mar. 4, 2013. (Unpublished).  
 U.S. Appl. No. 29/447,485, filed Mar. 4, 2013. (Unpublished).  
 U.S. Appl. No. 29/536,775, filed Aug. 19, 2015. (Unpublished).  
 U.S. Appl. No. 29/536,770, filed Aug. 19, 2015. (Unpublished).  
 U.S. Appl. No. 29/536,772, filed Aug. 19, 2015. (Unpublished).  
 U.S. Appl. No. 29/536,771, filed Aug. 19, 2015. (Unpublished).  
 U.S. Appl. No. 29/536,767, filed Aug. 19, 2015. (Unpublished).  
 U.S. Appl. No. 29/536,765, filed Aug. 19, 2015. (Unpublished).  
 U.S. Appl. No. 29/536,768, filed Aug. 19, 2015. (Unpublished).  
 U.S. Appl. No. 29/536,805, filed Aug. 19, 2015. (Unpublished).  
 U.S. Appl. No. 29/536,796, filed Aug. 19, 2015. (Unpublished).  
 U.S. Appl. No. 29/536,802, filed Aug. 19, 2015. (Unpublished).  
 U.S. Appl. No. 29/536,810, filed Aug. 19, 2015. (Unpublished).  
 U.S. Appl. No. 29/536,808, filed Aug. 19, 2015. (Unpublished).  
 U.S. Appl. No. 29/536,807, filed Aug. 19, 2015. (Unpublished).

\* cited by examiner

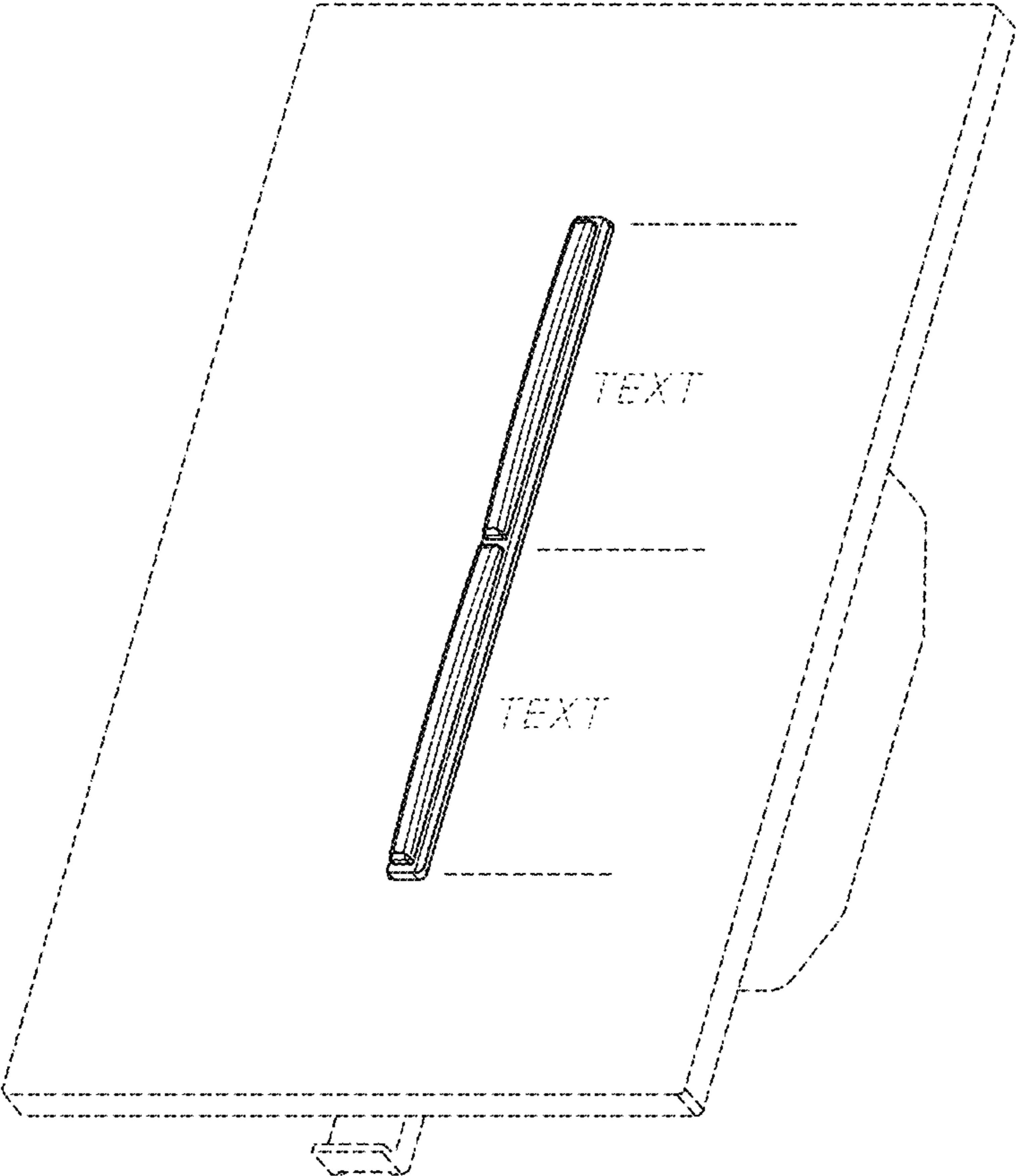


FIG. 1

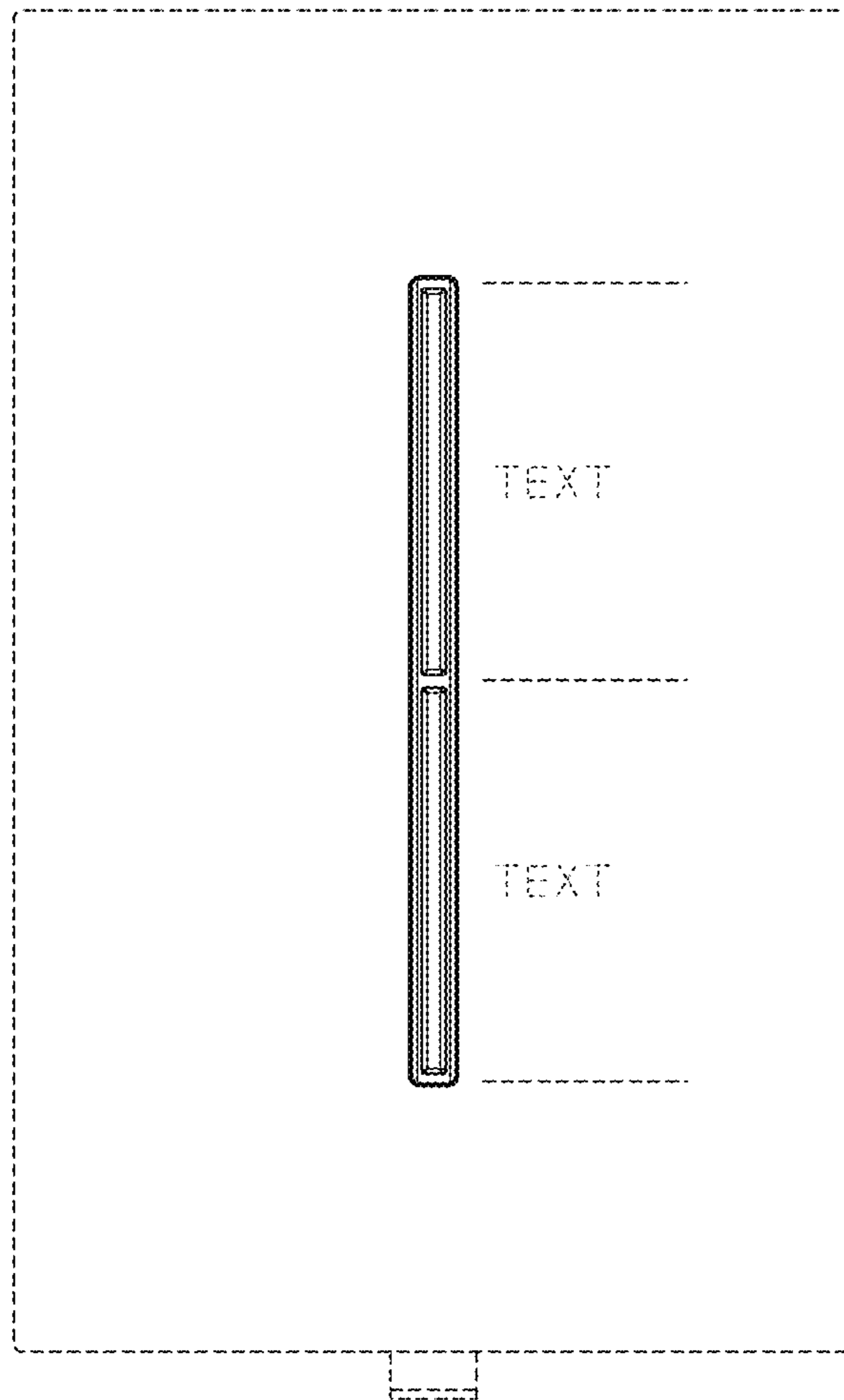


FIG. 2

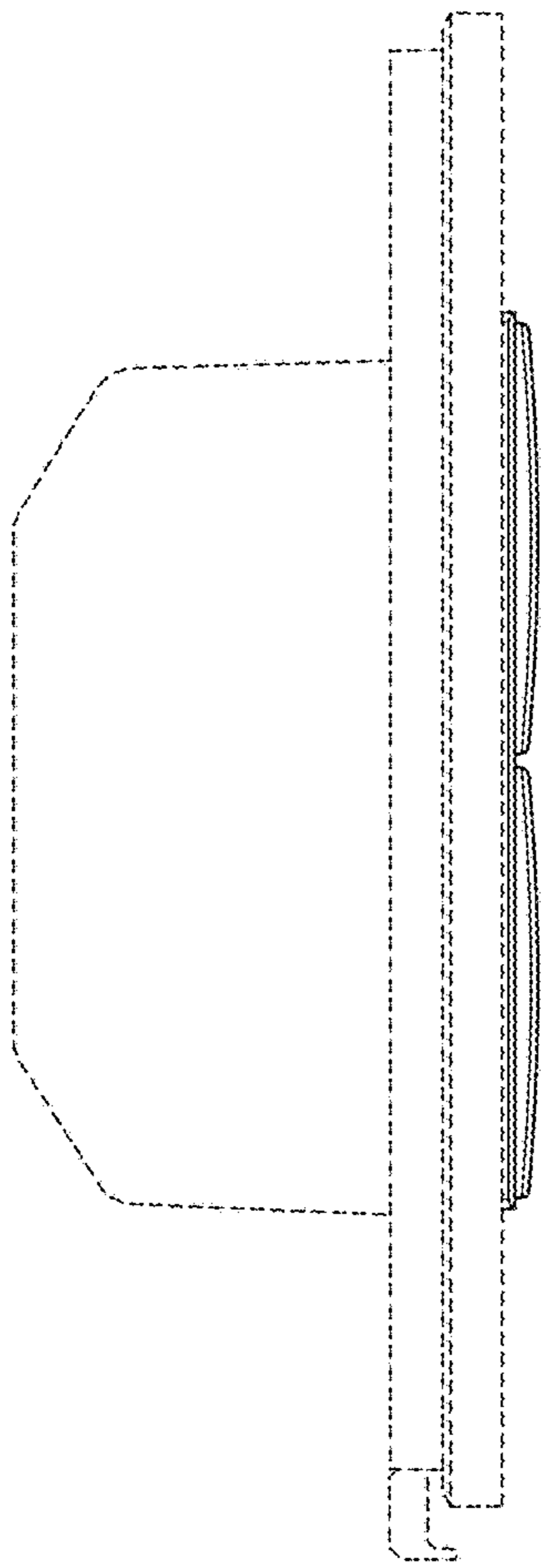


FIG. 3

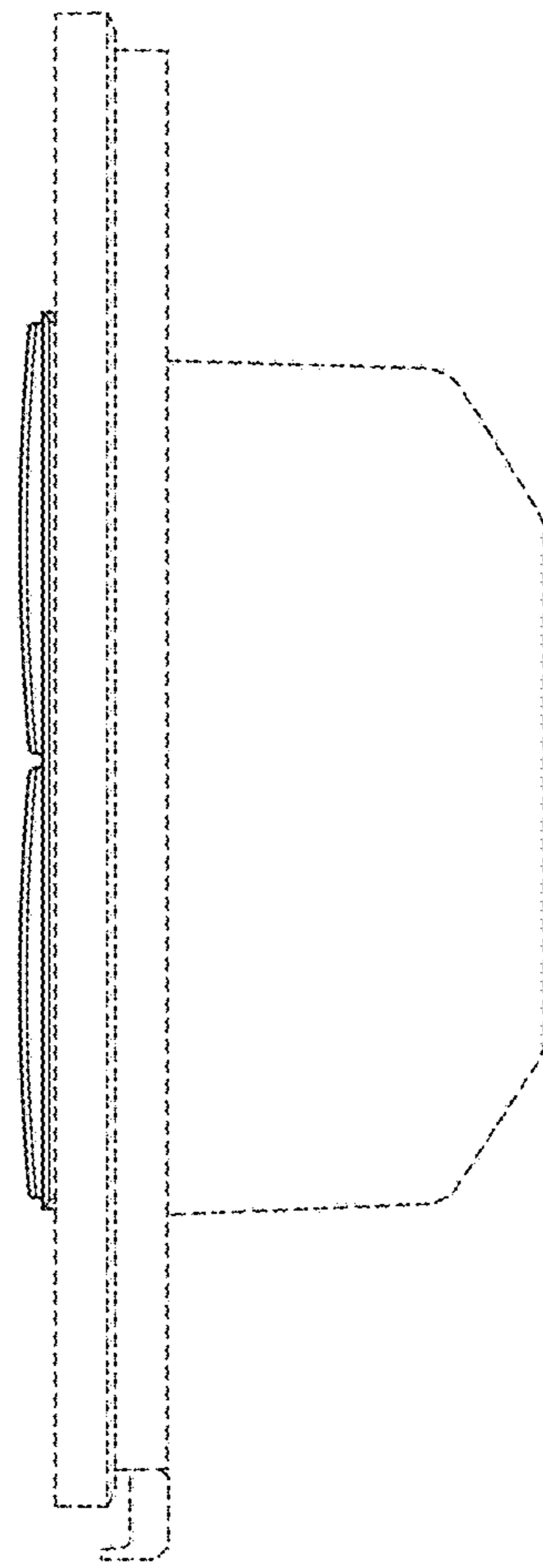


FIG. 4

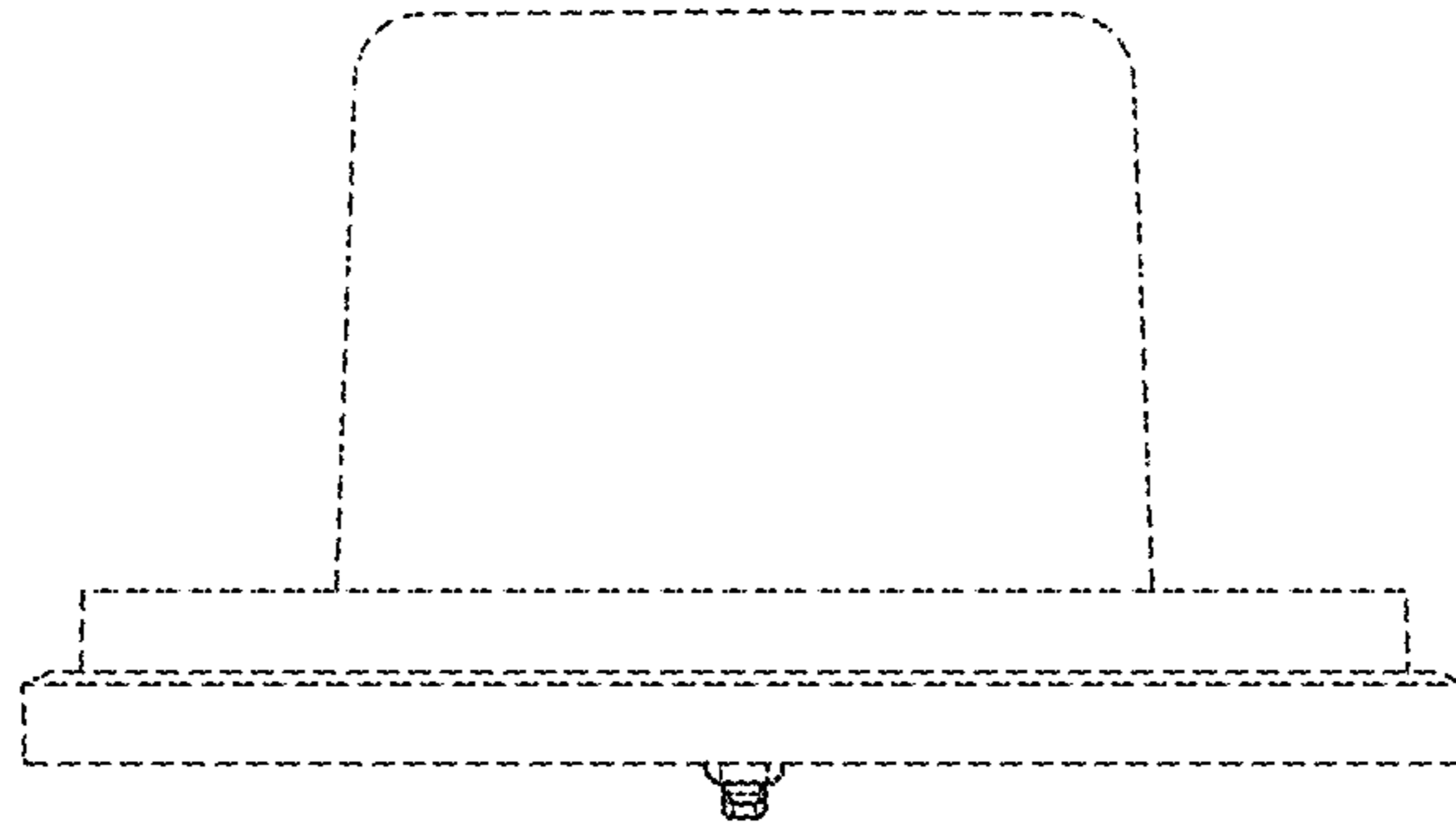


FIG. 5

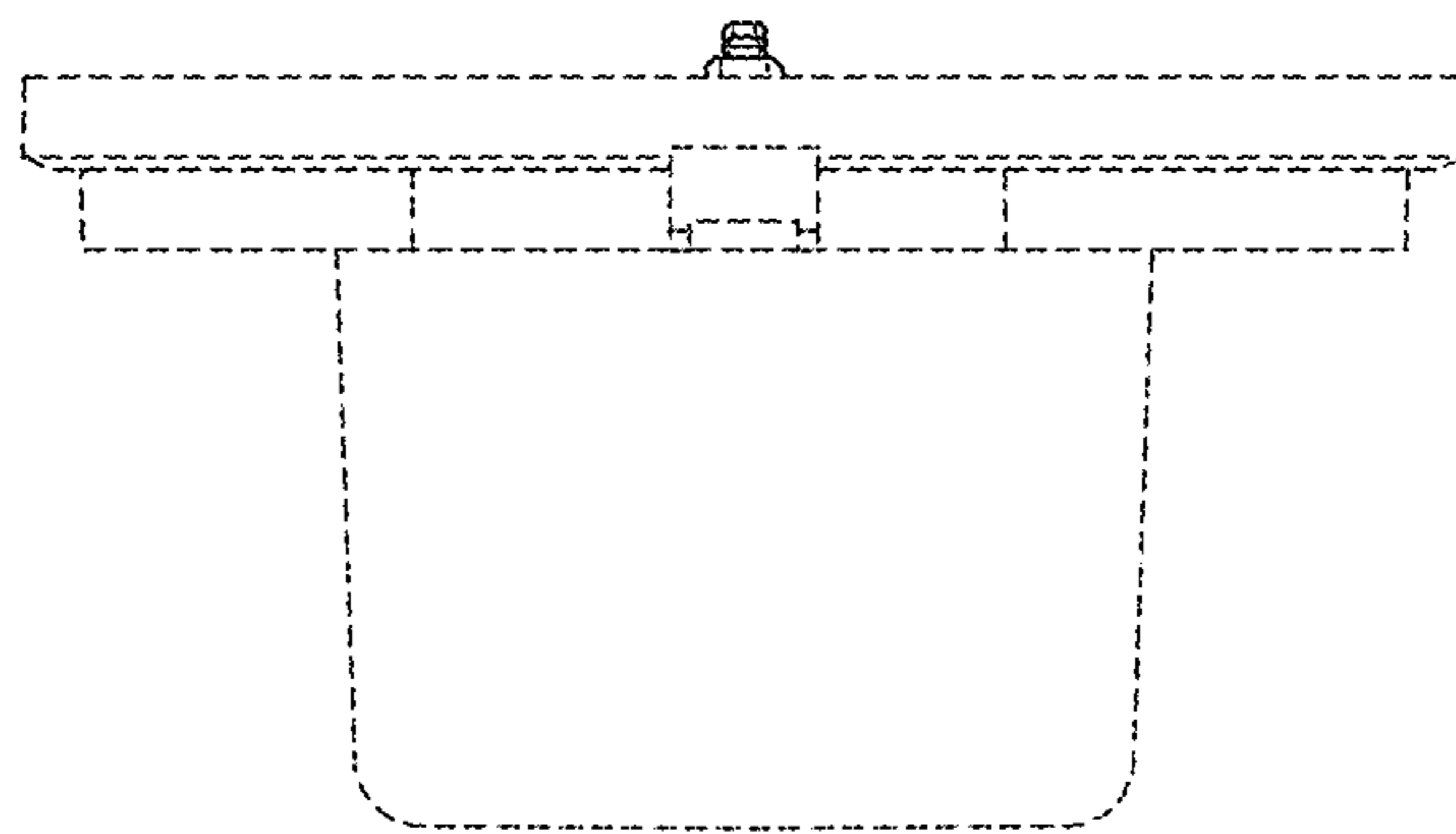


FIG. 6

UNITED STATES PATENT AND TRADEMARK OFFICE  
**CERTIFICATE OF CORRECTION**

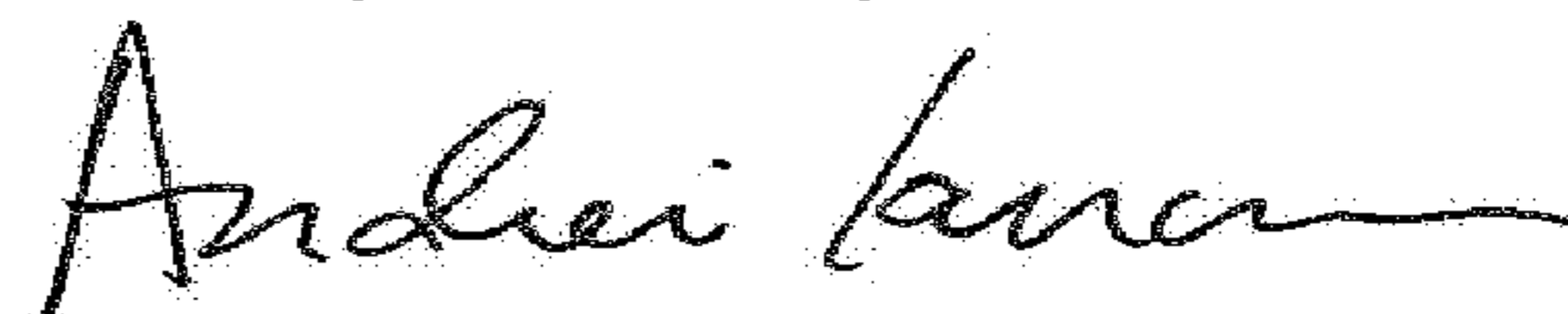
PATENT NO. : D817,284 S  
APPLICATION NO. : 29/590669  
DATED : May 8, 2018  
INVENTOR(S) : Alexander Wade Gage et al.

Page 1 of 5

It is certified that error appears in the above-identified patent and that said Letters Patent is hereby corrected as shown below:

Replace Drawing Sheets 1-4 with attached Drawing Sheets 1-4.

Signed and Sealed this  
Twenty-sixth Day of June, 2018



Andrei Iancu  
*Director of the United States Patent and Trademark Office*

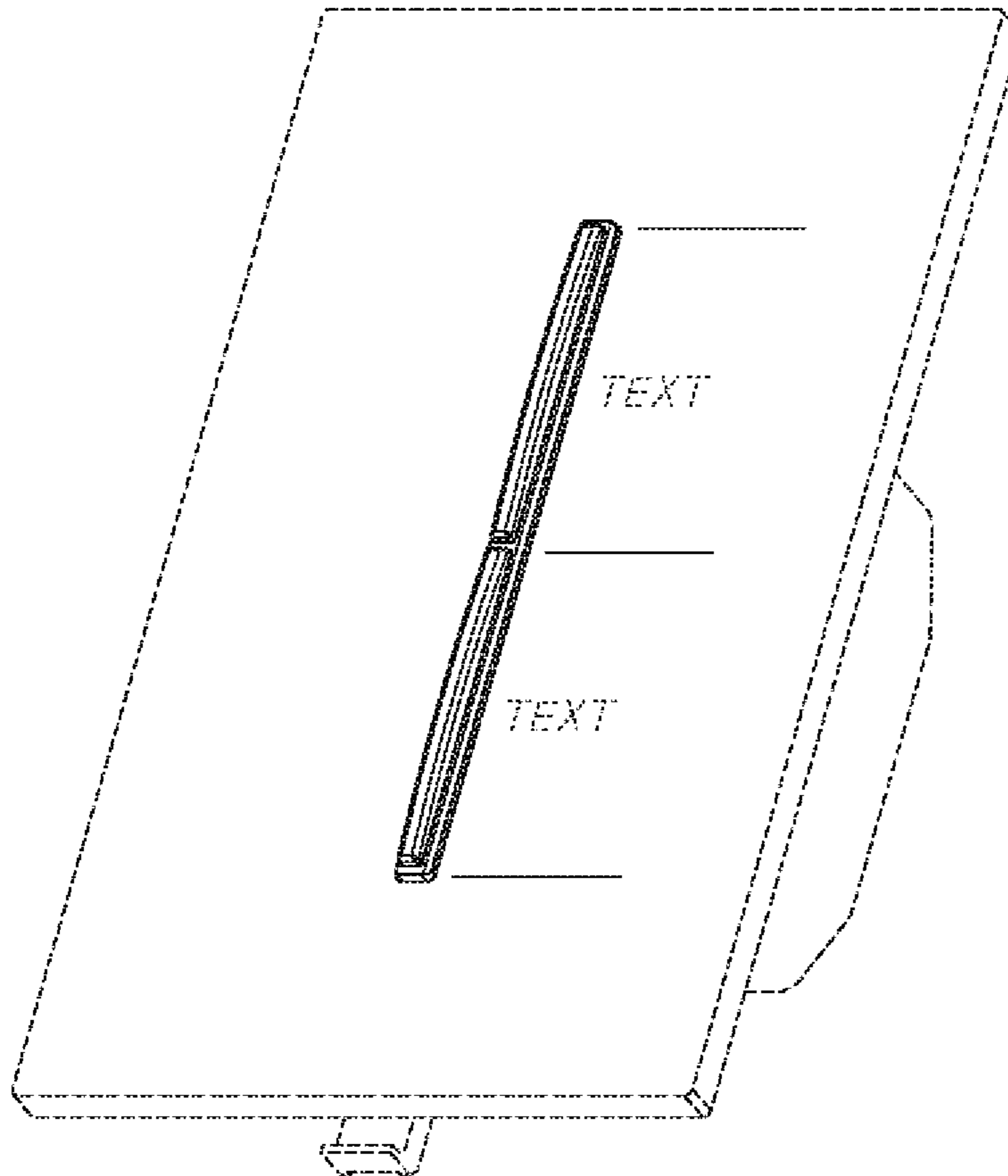


FIG. 1



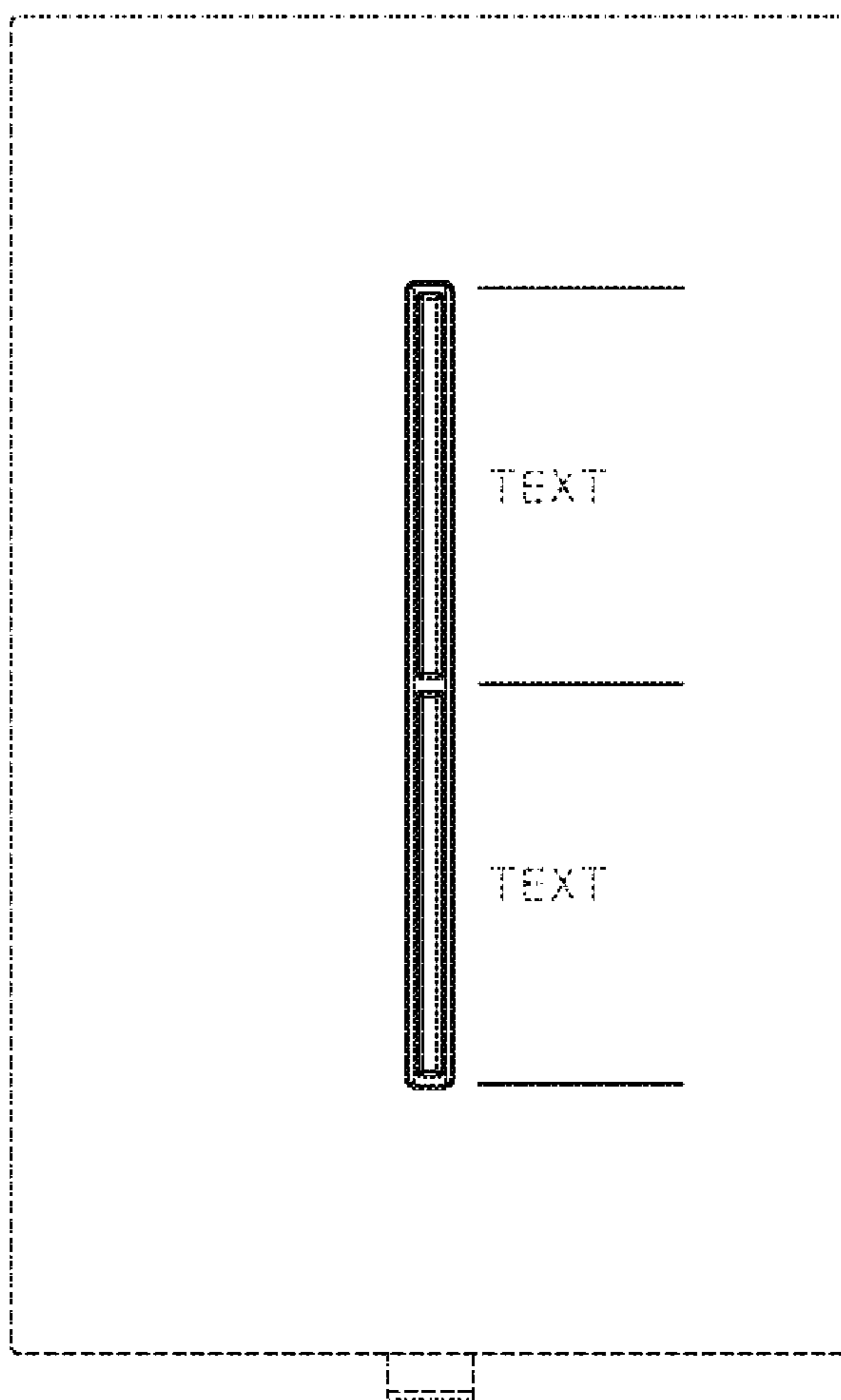


FIG. 2

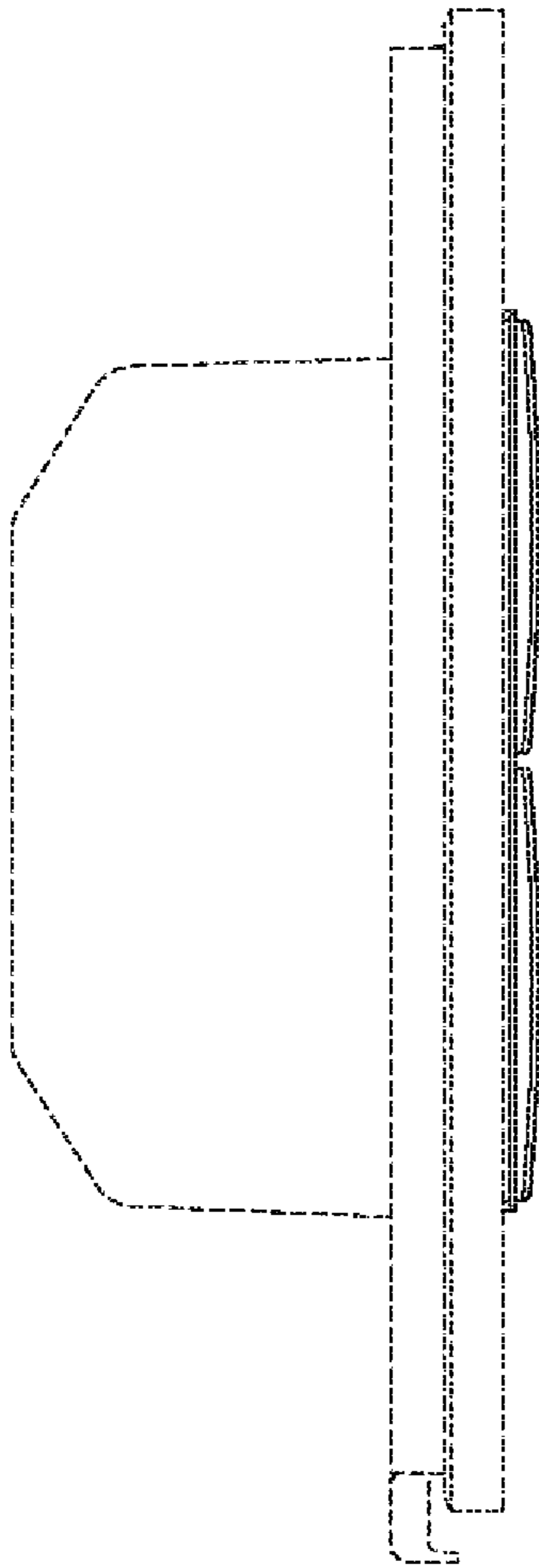


FIG. 3

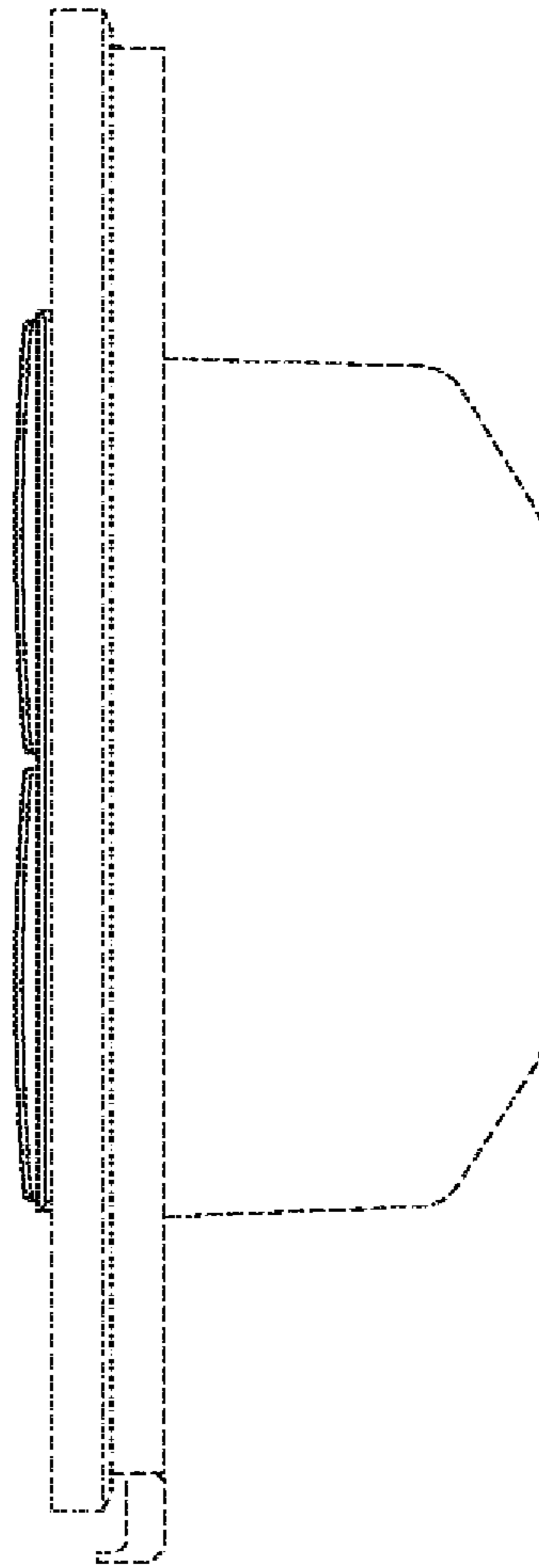


FIG. 4

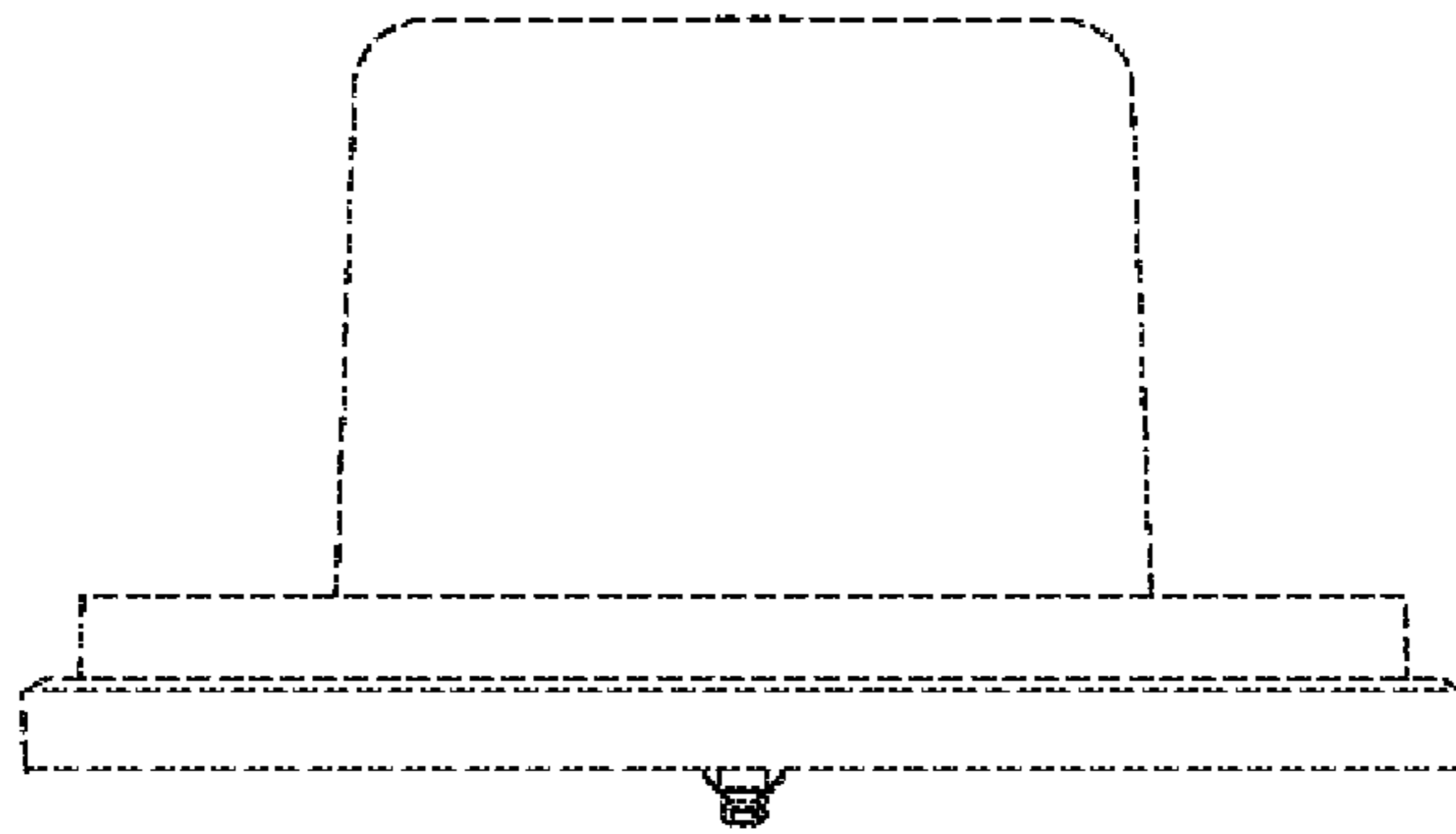


FIG. 5

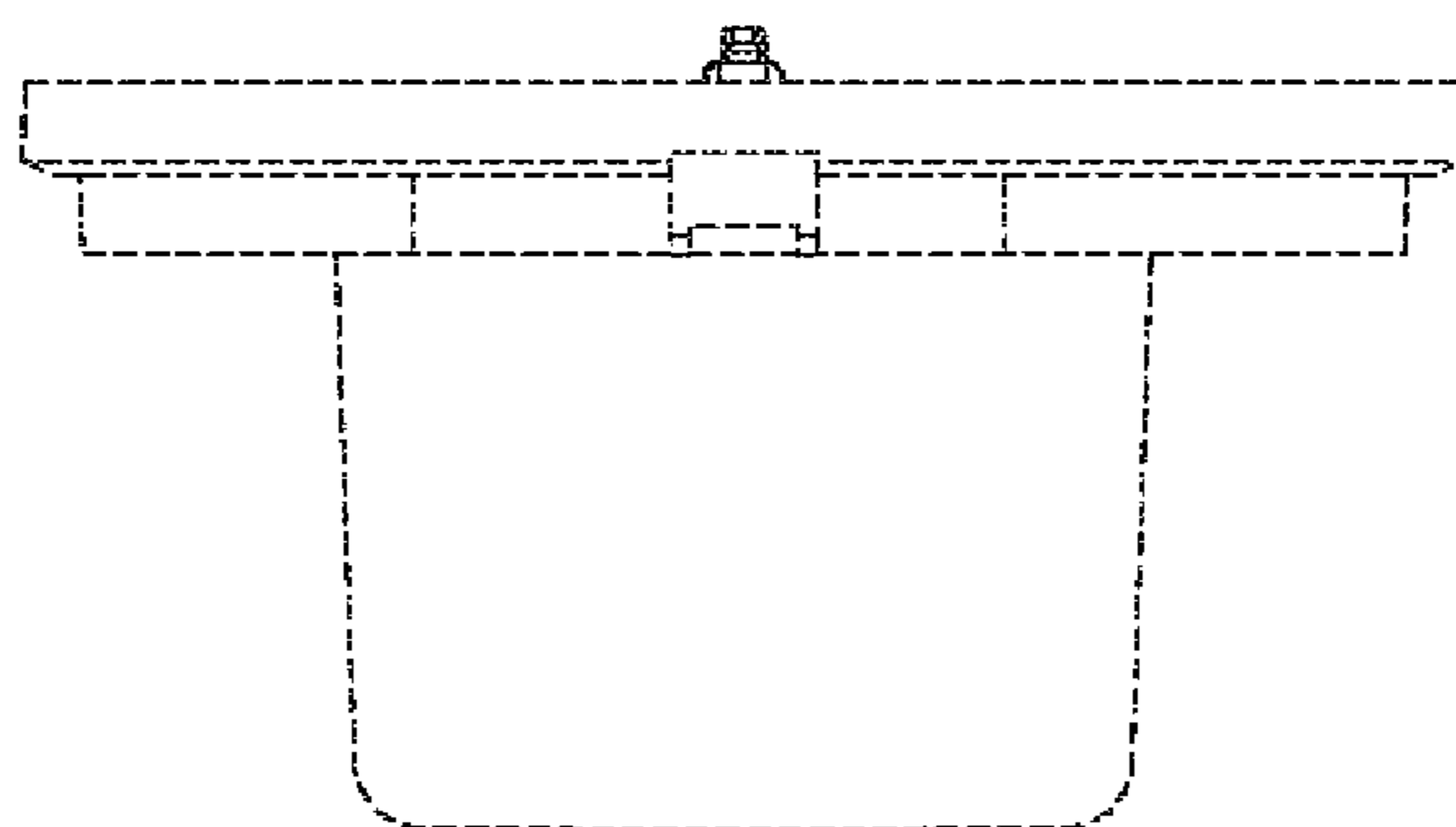


FIG. 6