



US00D817282S

(12) **United States Design Patent** (10) **Patent No.:** **US D817,282 S**  
**Akana et al.** (45) **Date of Patent:** **\*\* May 8, 2018**

(54) **COMPONENT FOR ELECTRONIC DEVICE**

(71) Applicant: **Apple Inc.**, Cupertino, CA (US)

(72) Inventors: **Jody Akana**, San Francisco, CA (US); **Bartley K. Andre**, Palo Alto, CA (US); **Shota Aoyagi**, San Francisco, CA (US); **Anthony Michael Ashcroft**, San Francisco, CA (US); **Jeremy Bataillou**, San Francisco, CA (US); **Daniel J. Coster**, San Francisco, CA (US); **Daniele De Iuliis**, San Francisco, CA (US); **M. Evans Hankey**, San Francisco, CA (US); **Julian Hoenig**, San Francisco, CA (US); **Richard P. Howarth**, San Francisco, CA (US); **Jonathan P. Ive**, San Francisco, CA (US); **Duncan Robert Kerr**, San Francisco, CA (US); **Eric Nyland**, Santa Clara, CA (US); **Marwan Rammah**, San Francisco, CA (US); **Matthew Dean Rohrbach**, San Francisco, CA (US); **Peter Russell-Clarke**, San Francisco, CA (US); **Benjamin Andrew Shaffer**, San Jose, CA (US); **Mikael Silvanto**, San Francisco, CA (US); **Christopher J. Stringer**, Woodside, CA (US); **Eugene Antony Whang**, San Francisco, CA (US); **Rico Zörkendörfer**, San Francisco, CA (US)

(73) Assignee: **Apple Inc.**, Cupertino, CA (US)

(\*\*) Term: **15 Years**

(21) Appl. No.: **29/552,362**

(22) Filed: **Jan. 21, 2016**

**Related U.S. Application Data**

(63) Continuation of application No. 29/501,053, filed on Aug. 29, 2014, now Pat. No. Des. 748,062.

(51) **LOC (11) Cl.** ..... **13-03**

(52) **U.S. Cl.**  
USPC ..... **D13/147**

(58) **Field of Classification Search**  
USPC ..... D13/123, 133, 146, 147, 154, 184, 199  
CPC ..... H04M 1/02; B60R 11/02; H01R 12/75;  
H01R 43/16; H01R 43/20; H05K 1/02;  
H05K 1/0203; H05K 7/20  
See application file for complete search history.

(56) **References Cited**

U.S. PATENT DOCUMENTS

D516,522 S	3/2006	Kondas
D568,246 S	5/2008	Wu
D578,127 S	10/2008	Crisp
D615,493 S	5/2010	Kalis
D644,186 S	8/2011	Qu
D662,922 S	7/2012	Akana et al.
D673,956 S	1/2013	Yokoyama

(Continued)

*Primary Examiner* — Daniel Bui

(74) *Attorney, Agent, or Firm* — Sterne, Kessler, Goldstein & Fox P.L.L.C.

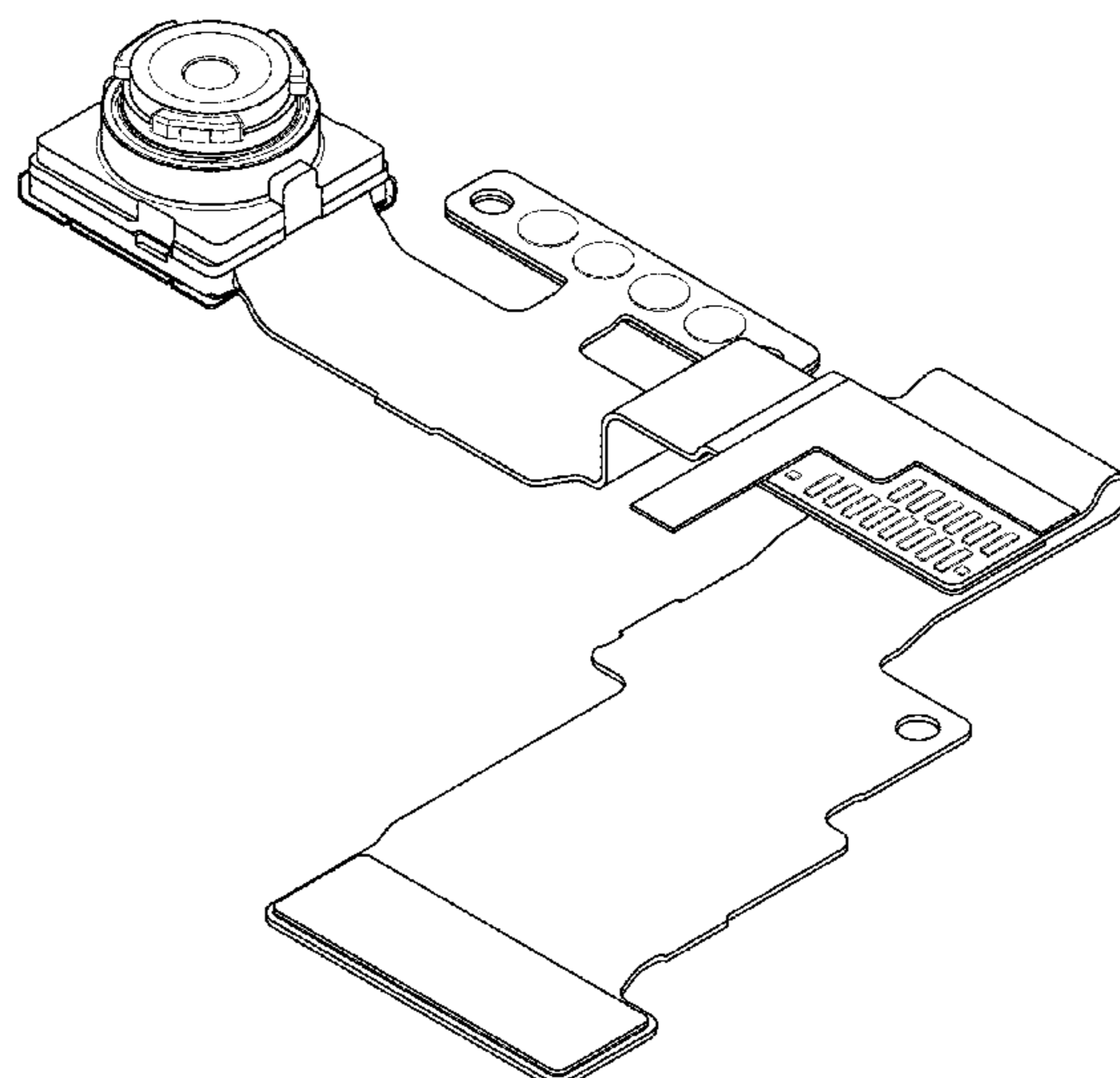
(57) **CLAIM**

The ornamental design for a component for electronic device, as shown and described.

**DESCRIPTION**

FIG. 1 is a front perspective view of a component for electronic device showing our new design;  
FIG. 2 is a front view thereof;  
FIG. 3 is a rear view thereof;  
FIG. 4 is a left side view thereof;  
FIG. 5 is a right side view thereof;  
FIG. 6 is a top view thereof; and,  
FIG. 7 is a bottom view thereof.

**1 Claim, 7 Drawing Sheets**



(56)

**References Cited**

U.S. PATENT DOCUMENTS

D688,630	S	8/2013	Chapman	
D717,800	S	11/2014	Akana et al.	
D748,062	S *	1/2016	Akana .....	D13/147
D759,656	S *	6/2016	Andre .....	D14/435.1
D769,876	S *	10/2016	Aoyagi .....	D14/432
2013/0053106	A1 *	2/2013	Kwong .....	G01S 17/026 455/566
2016/0255182	A1 *	9/2016	Lee .....	H04M 1/026 455/575.1

\* cited by examiner

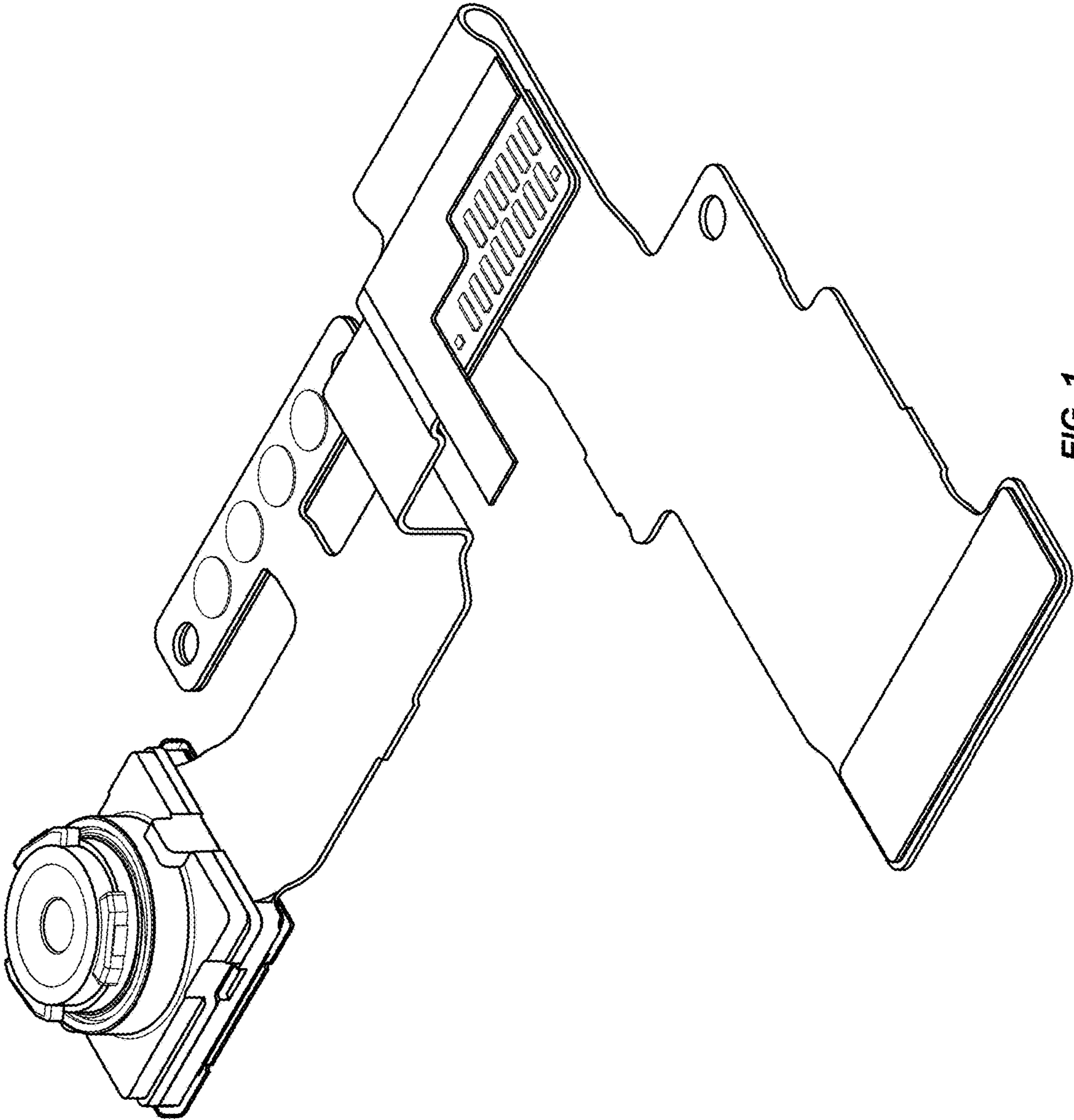


FIG. 1

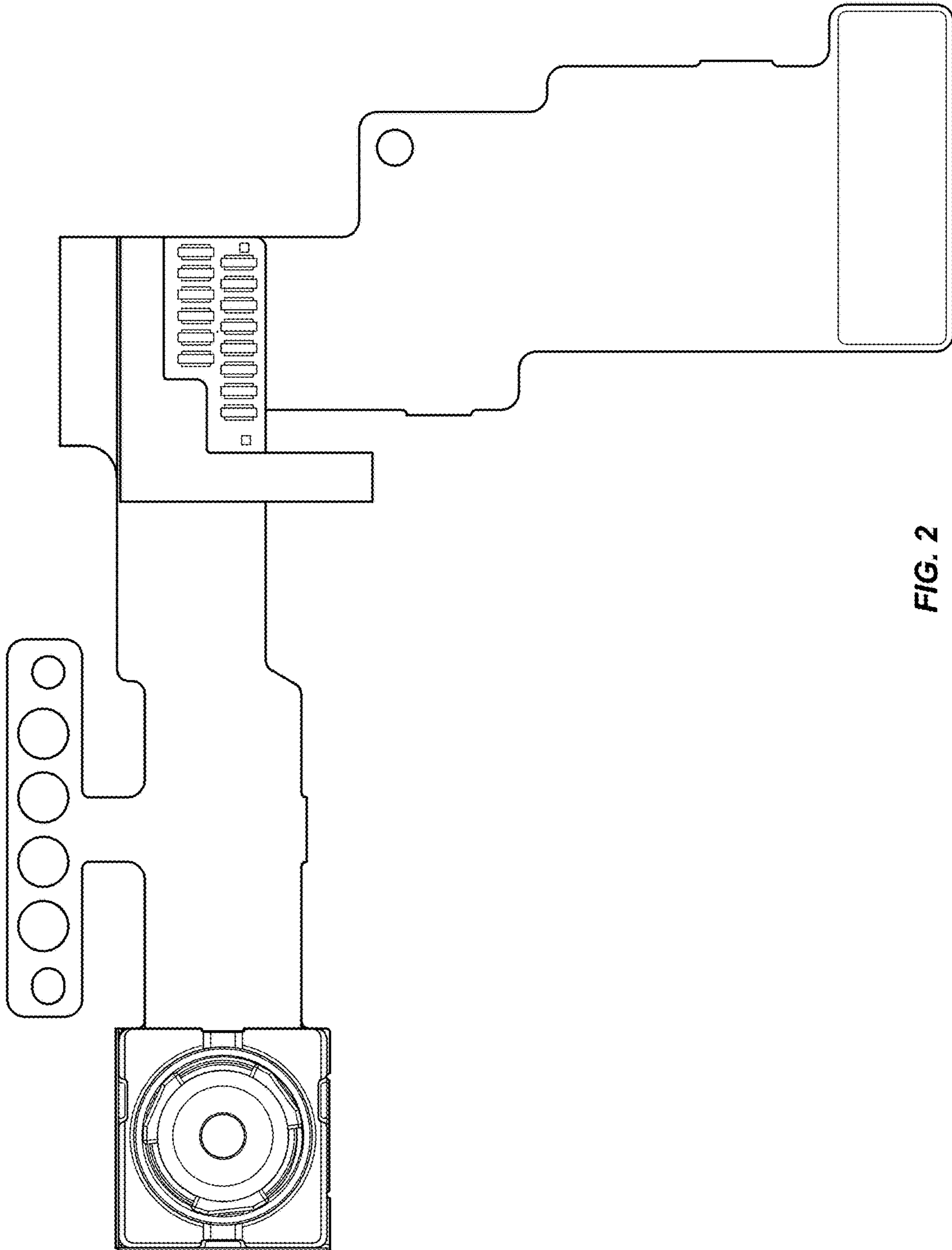


FIG. 2

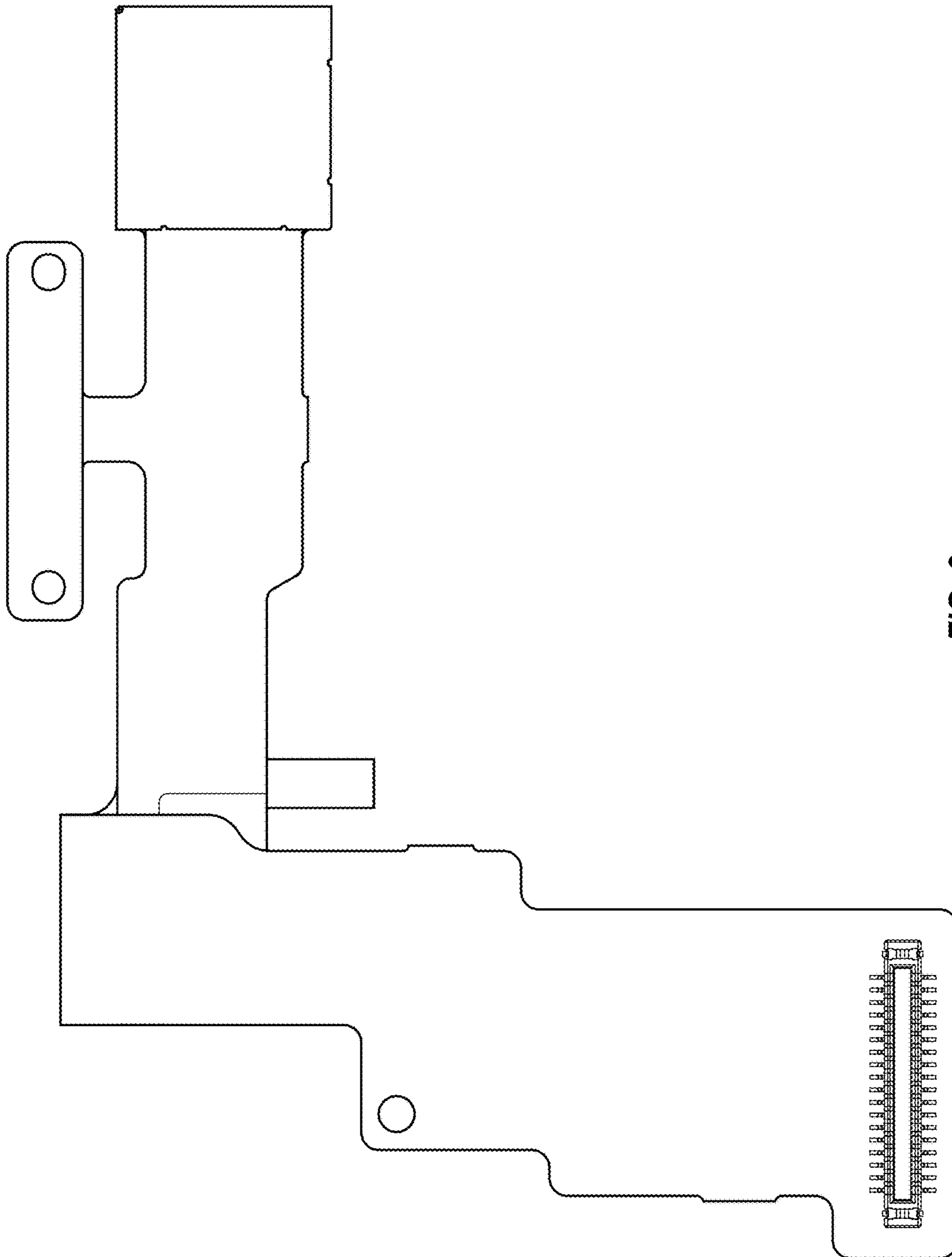


FIG. 3

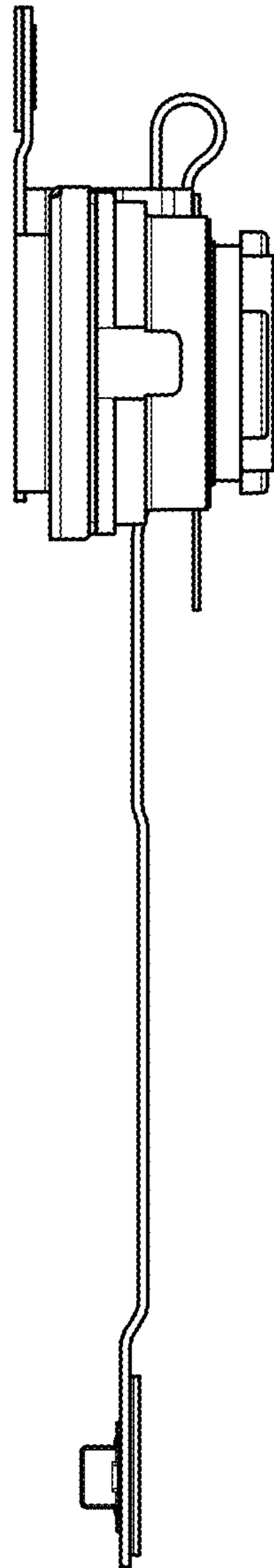
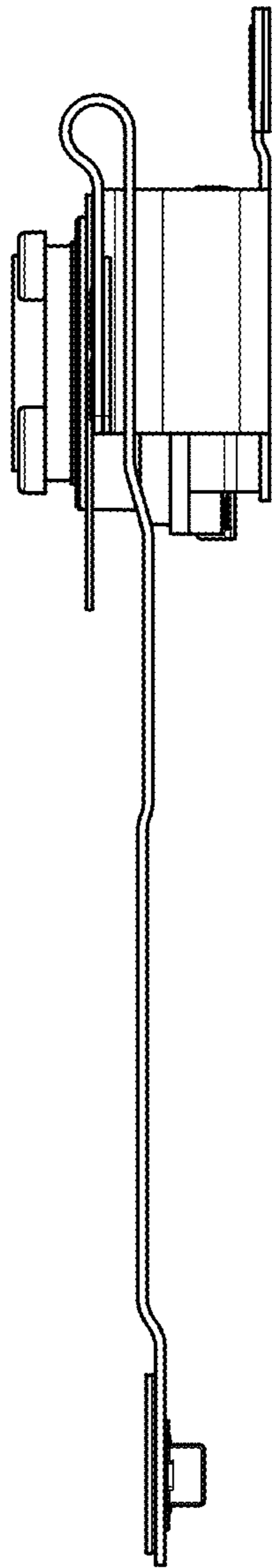


FIG. 4



**FIG. 5**

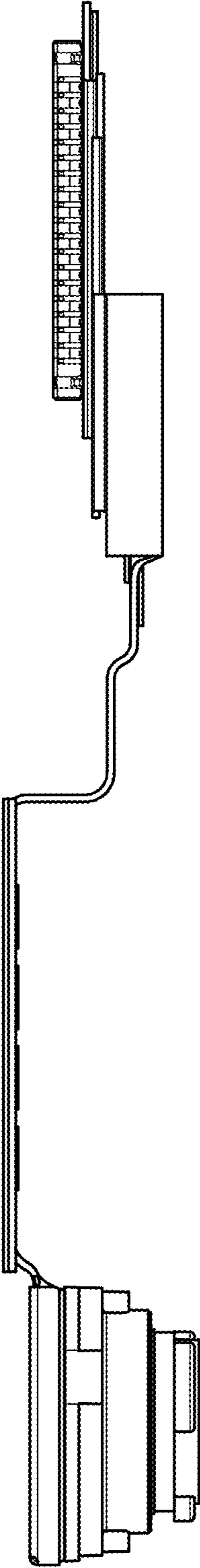


FIG. 6



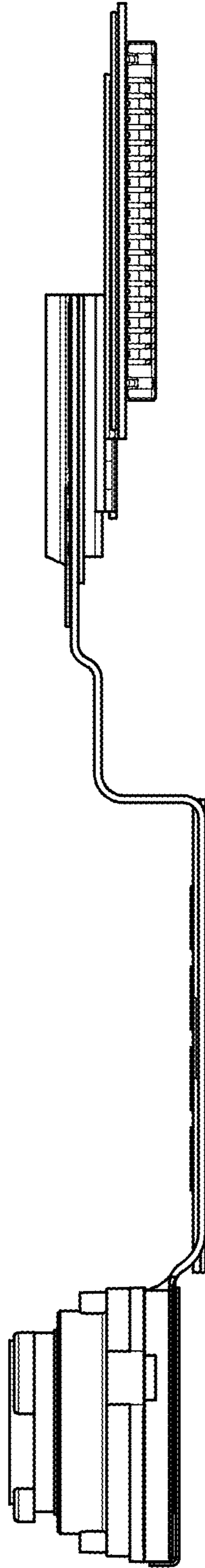


FIG. 7