



US00D817281S

(12) **United States Design Patent** (10) **Patent No.:** **US D817,281 S**  
**Salas et al.** (45) **Date of Patent:** **\*\* \*May 8, 2018**

(54) **ELECTRICAL OUTLET**  
(71) Applicant: **EATON CORPORATION**, Cleveland, OH (US)  
(72) Inventors: **Luis F. Salas**, Fayetteville, GA (US); **Oscar L. Neundorfer**, Senoia, GA (US); **Saivaraprasad Murahari**, Peachtree City, GA (US)  
(73) Assignee: **EATON INTELLIGENT POWER LIMITED**, Dublin (IE)

D562,261 S \* 2/2008 Takach ..... D13/162  
D572,195 S \* 7/2008 Lin ..... D13/133  
7,427,714 B1 \* 9/2008 Lammens, Jr. .... H02G 3/088  
174/53  
D599,190 S \* 9/2009 Huang ..... D8/354  
D628,539 S \* 12/2010 Tezak ..... D13/152  
D646,954 S \* 10/2011 Azelton ..... D8/350  
D656,151 S \* 3/2012 Maus ..... D14/385  
D660,236 S \* 5/2012 Liang-Hsu ..... D13/139.1  
D662,885 S \* 7/2012 Hoffman ..... D13/139.1  
D666,158 S \* 8/2012 Auguste ..... D13/156  
D676,387 S \* 2/2013 Kennedy ..... D13/137.2

(Continued)

Primary Examiner — Rhea Shields

(\*) Notice: This patent is subject to a terminal disclaimer.

(74) *Attorney, Agent, or Firm* — Eckert Seamans

(\*\*) Term: **15 Years**

(57) **CLAIM**

(21) Appl. No.: **29/547,548**

The ornamental design for an electrical outlet, as shown and described.

(22) Filed: **Dec. 4, 2015**

**DESCRIPTION**

(51) **LOC (11) Cl.** ..... **13-03**

(52) **U.S. Cl.**  
USPC ..... **D13/137.2**

(58) **Field of Classification Search**  
USPC ..... D13/137.1–137.2, 138.1, 138.2, 139.6, D13/152, 184, 108, 177, 156, 154, 119, D13/103, 162, 133, 110; D8/349, 350, D8/354; D14/240, 383, 239, 385; 174/53  
CPC ..... H02H 13/16; H02G 3/088  
See application file for complete search history.

FIG. 1 is a left perspective view of the electrical outlet; FIG. 2 an enlargement of the indicated portion of FIG. 1; FIG. 3 is a right perspective view of the electrical outlet; FIG. 4 an enlargement of the indicated portion of FIG. 3; FIG. 5 is a front elevational view of the electrical outlet; FIG. 6 an enlargement of the indicated portion of FIG. 5; FIG. 7 is a left side elevational view of the electrical outlet; FIG. 8 is a right side elevational view of the electrical outlet; FIG. 9 is a rear elevational view of the electrical outlet; FIG. 10 is a top plan view of the electrical outlet; and, FIG. 11 is a bottom plan view of the electrical outlet.

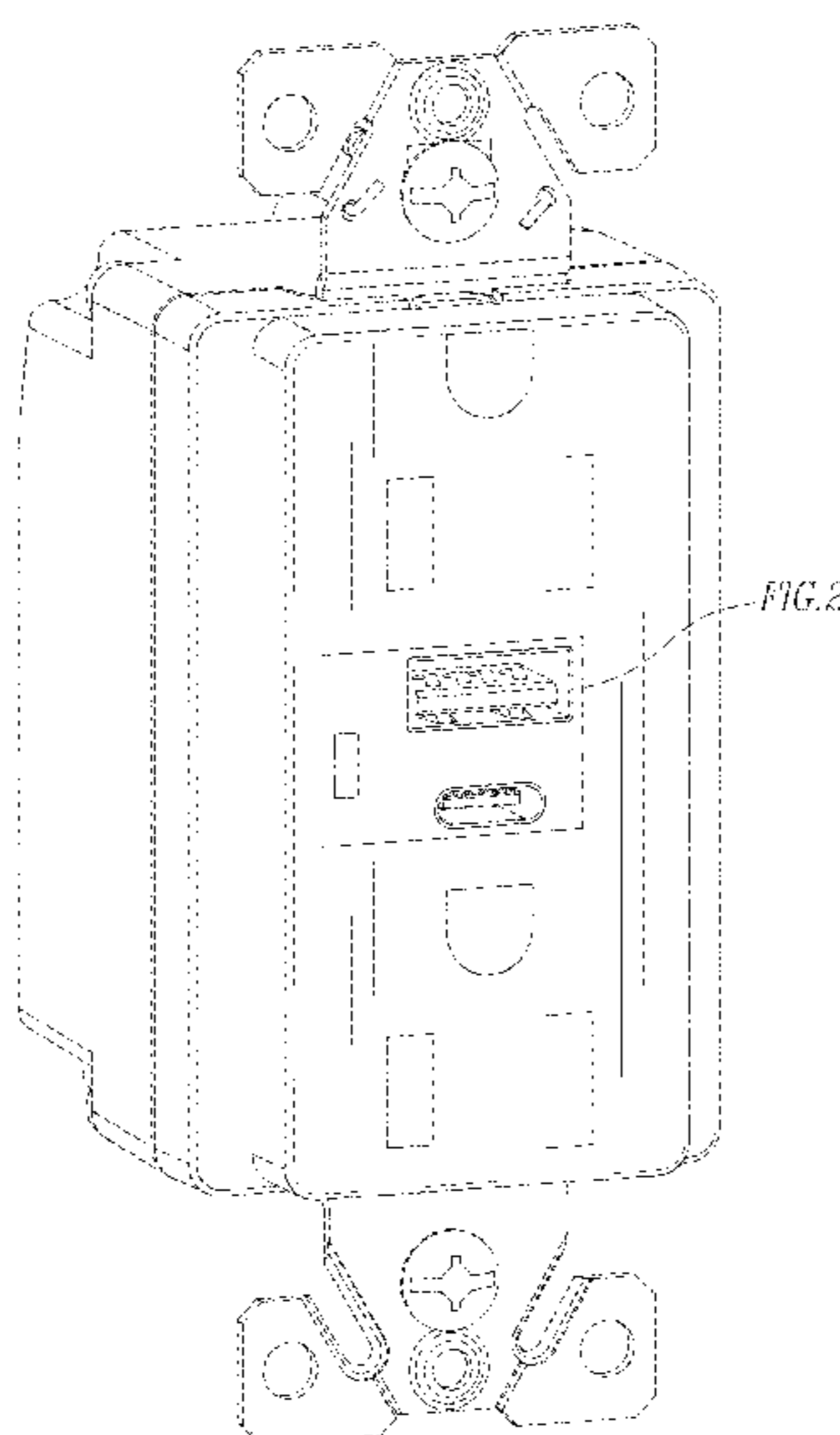
(56) **References Cited**

**U.S. PATENT DOCUMENTS**

D427,887 S \* 7/2000 Leopold ..... D13/154  
D499,070 S \* 11/2004 Lavington ..... D13/119  
D500,755 S \* 1/2005 Chung ..... D14/240  
D509,214 S \* 9/2005 Chung ..... D14/240  
D517,988 S \* 3/2006 Ihde ..... D13/103  
D558,676 S \* 1/2008 Fort ..... D13/139.3

In the drawings, the dot-dash-dot broken lines axe for the purpose of illustrating boundaries between the claimed design and environment. The evenly spaced broken lines are for the purpose of illustrating environment only. No subject matter shown in either the dot-dash-dot broken lines or evenly spaced broken lines forms a part of the claimed design.

**1 Claim, 11 Drawing Sheets**



(56)

References Cited

U.S. PATENT DOCUMENTS

D680,492 S \* 4/2013 Smith ..... D13/110  
 D686,577 S \* 7/2013 Flagello ..... D13/152  
 D692,385 S \* 10/2013 Dodal ..... D13/139.1  
 D693,305 S \* 11/2013 Kuo ..... D13/137.2  
 D693,306 S \* 11/2013 Chuang ..... D13/139.1  
 D693,769 S \* 11/2013 Picard ..... D13/137.1  
 D694,706 S \* 12/2013 Kuo ..... D13/108  
 D702,640 S \* 4/2014 Restrepo ..... D13/139.1  
 D703,139 S \* 4/2014 Dodal ..... D13/139.1  
 D705,734 S \* 5/2014 Dodal ..... D13/139.1  
 D708,149 S \* 7/2014 Auguste ..... D13/156  
 D716,735 S \* 11/2014 Byrne ..... D13/138.2  
 D719,511 S \* 12/2014 Dodal ..... D13/139.1  
 D719,512 S \* 12/2014 Roy ..... D13/139.6  
 D719,688 S \* 12/2014 Goyal ..... D13/177  
 D720,295 S \* 12/2014 Dodal ..... D13/139.1  
 D721,653 S \* 1/2015 Lee ..... D13/139.3

D722,562 S \* 2/2015 Restrepo ..... D13/139.1  
 D730,835 S \* 6/2015 Murphy ..... D13/139.1  
 D730,836 S \* 6/2015 Lee ..... D13/139.3  
 D731,430 S \* 6/2015 Segnit ..... D13/137.2  
 9,083,180 B2 \* 7/2015 Dodal ..... H02H 3/16  
 D737,116 S \* 8/2015 Lussier ..... D8/349  
 D743,908 S \* 11/2015 Koberg ..... D13/152  
 D744,950 S \* 12/2015 Murphy ..... D13/139.1  
 D744,951 S \* 12/2015 Oosterman ..... D13/139.1  
 D744,952 S \* 12/2015 Ni ..... D13/139.3  
 D745,850 S \* 12/2015 Gretz ..... D13/152  
 D754,074 S \* 4/2016 DeCosta ..... D13/139.3  
 D755,129 S \* 5/2016 Page ..... D13/139.4  
 D758,979 S \* 6/2016 Moon ..... D13/184  
 D763,235 S \* 8/2016 Brown ..... D14/239  
 D776,113 S \* 1/2017 Bierach ..... D14/383  
 D778,239 S \* 2/2017 Ni ..... D13/108  
 D783,579 S \* 4/2017 MacManus ..... D14/240  
 D784,970 S \* 4/2017 MacManus ..... D14/240

\* cited by examiner

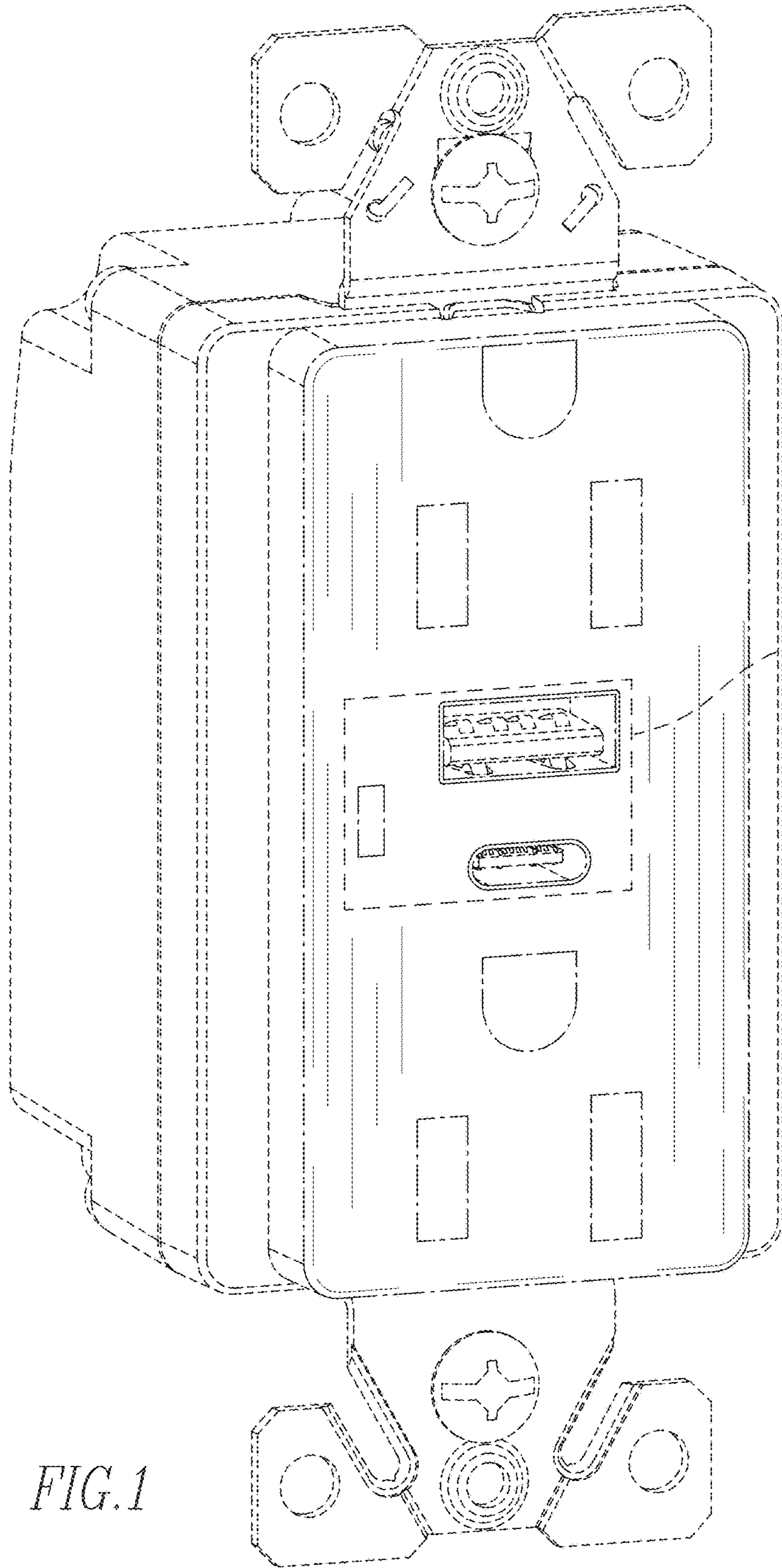


FIG. 1

FIG. 2



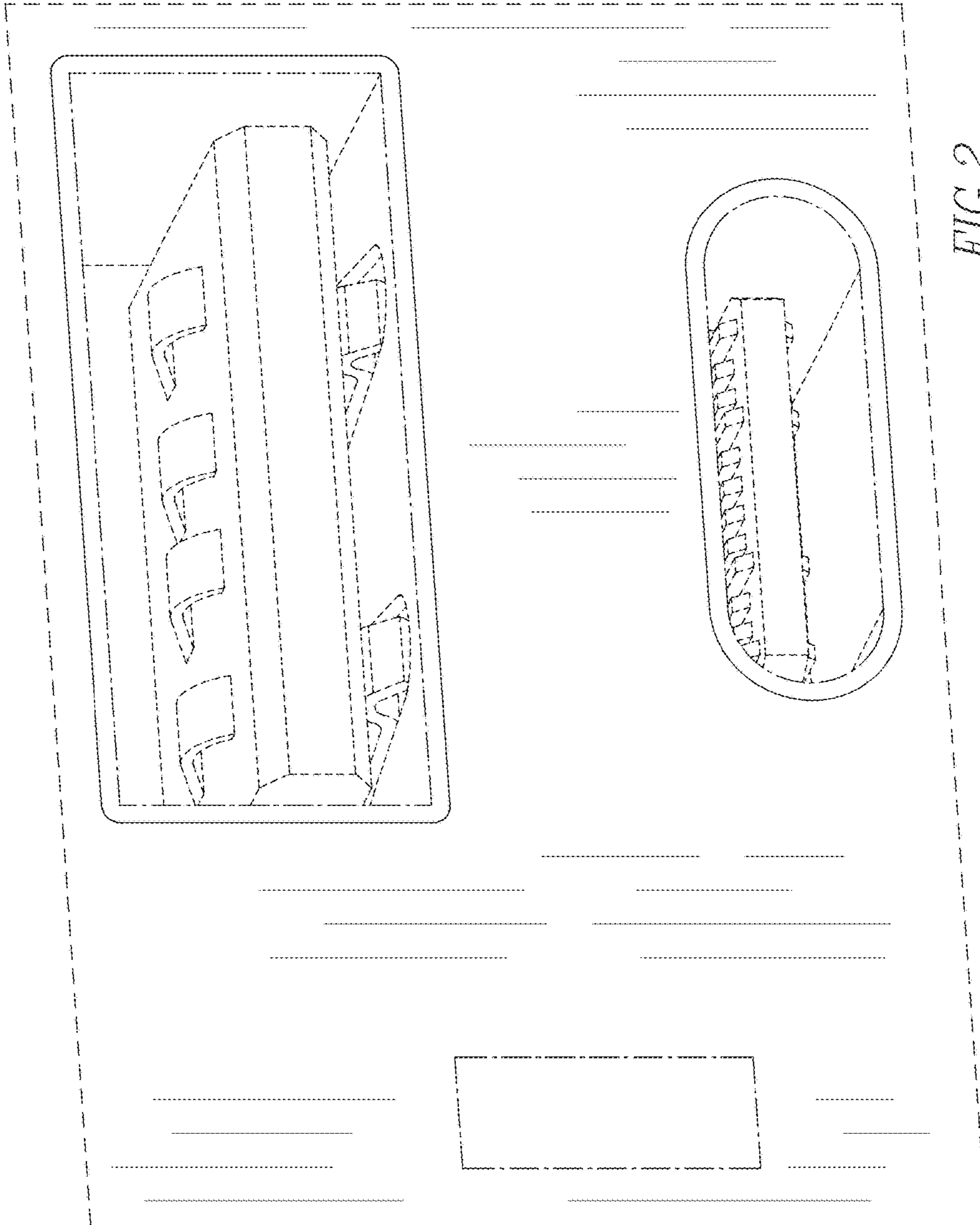
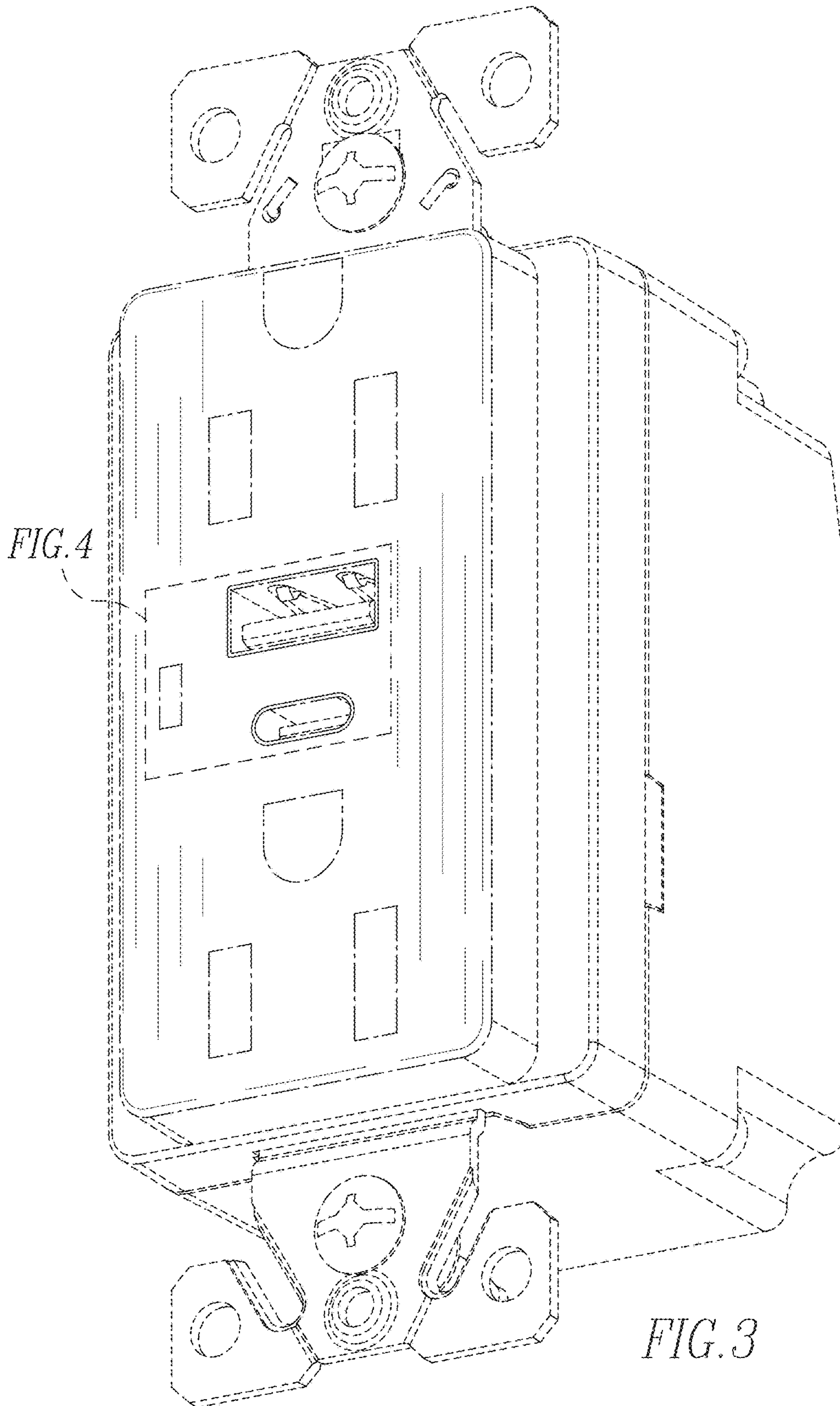
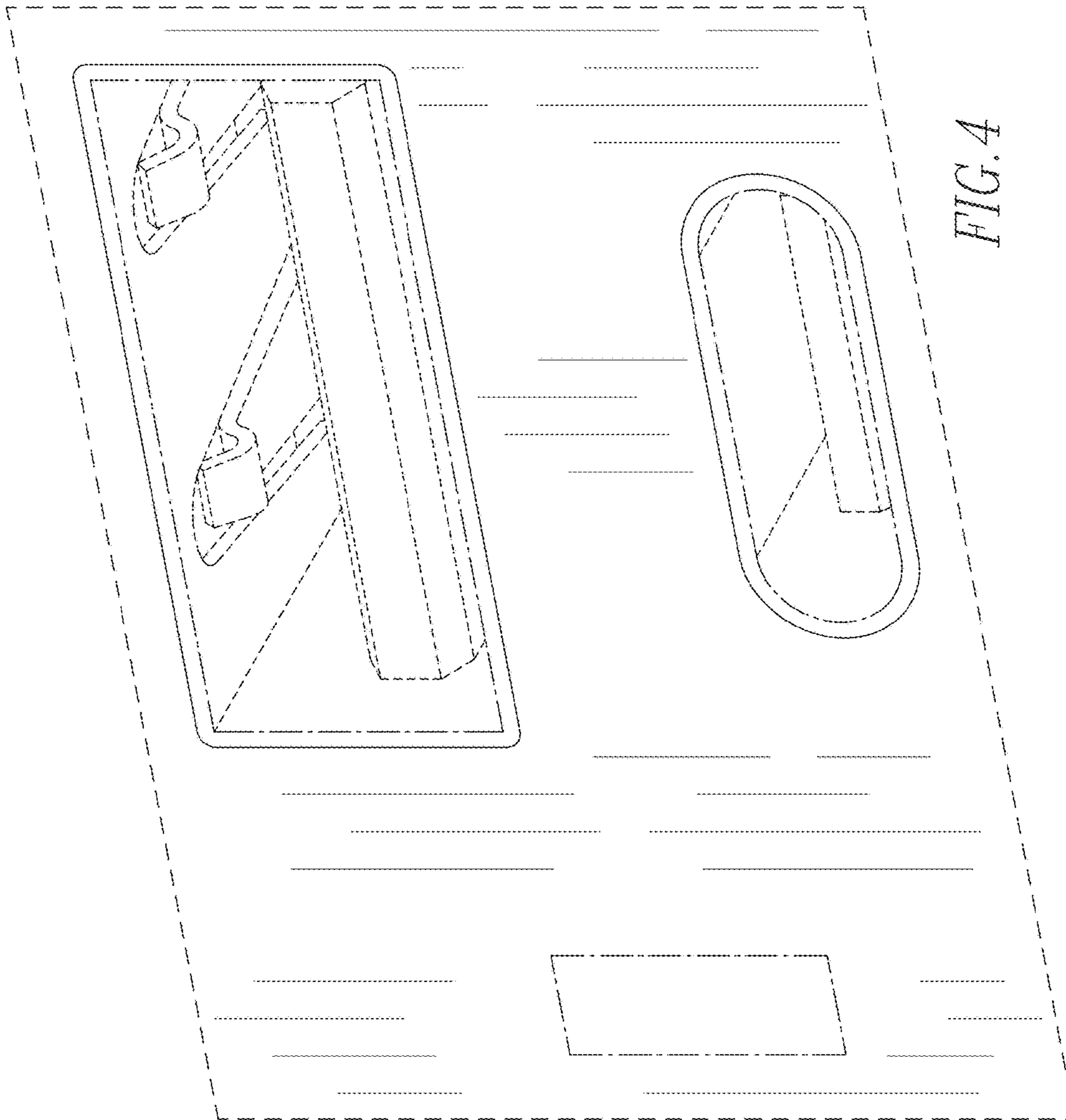
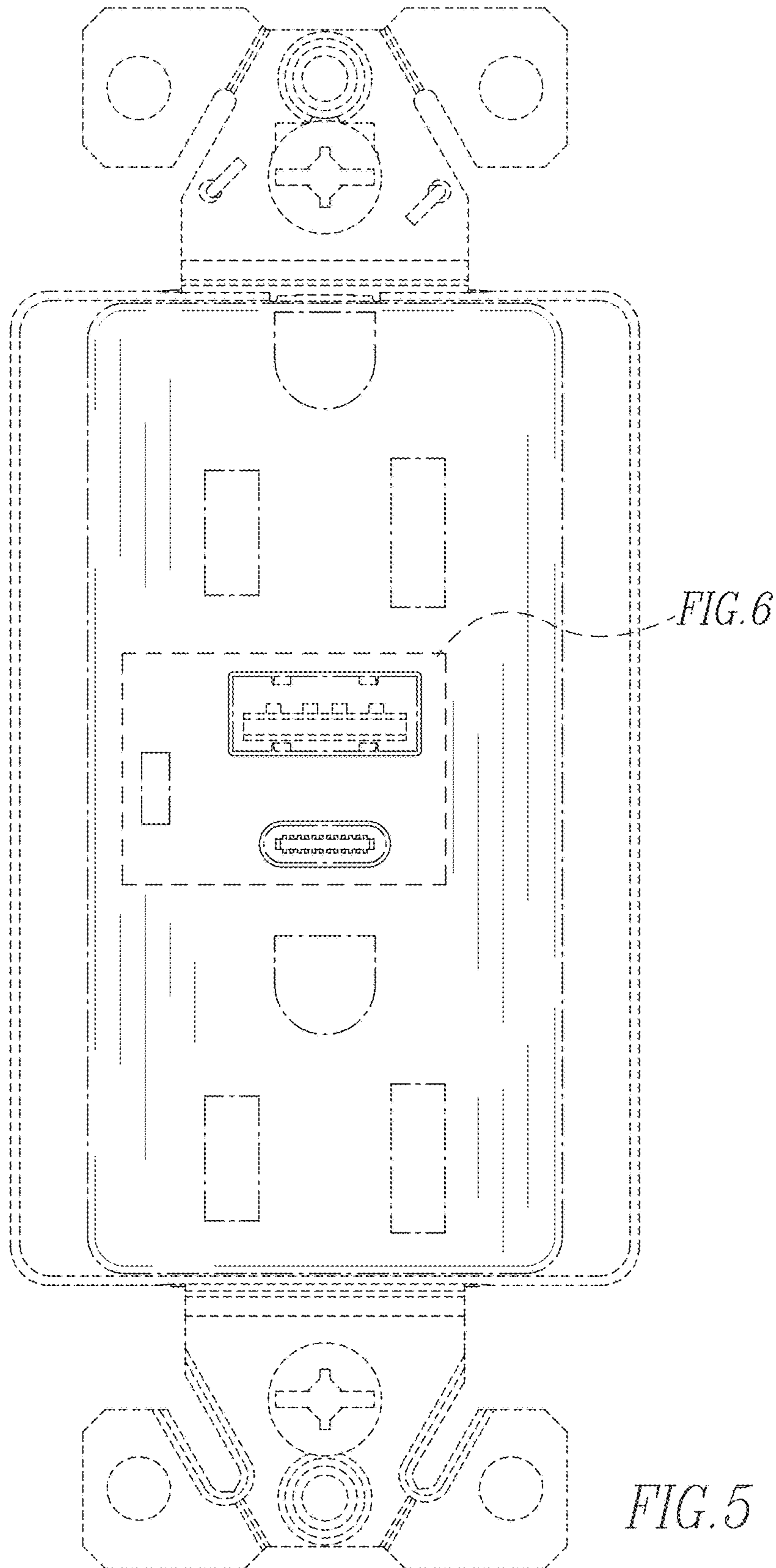


FIG. 2







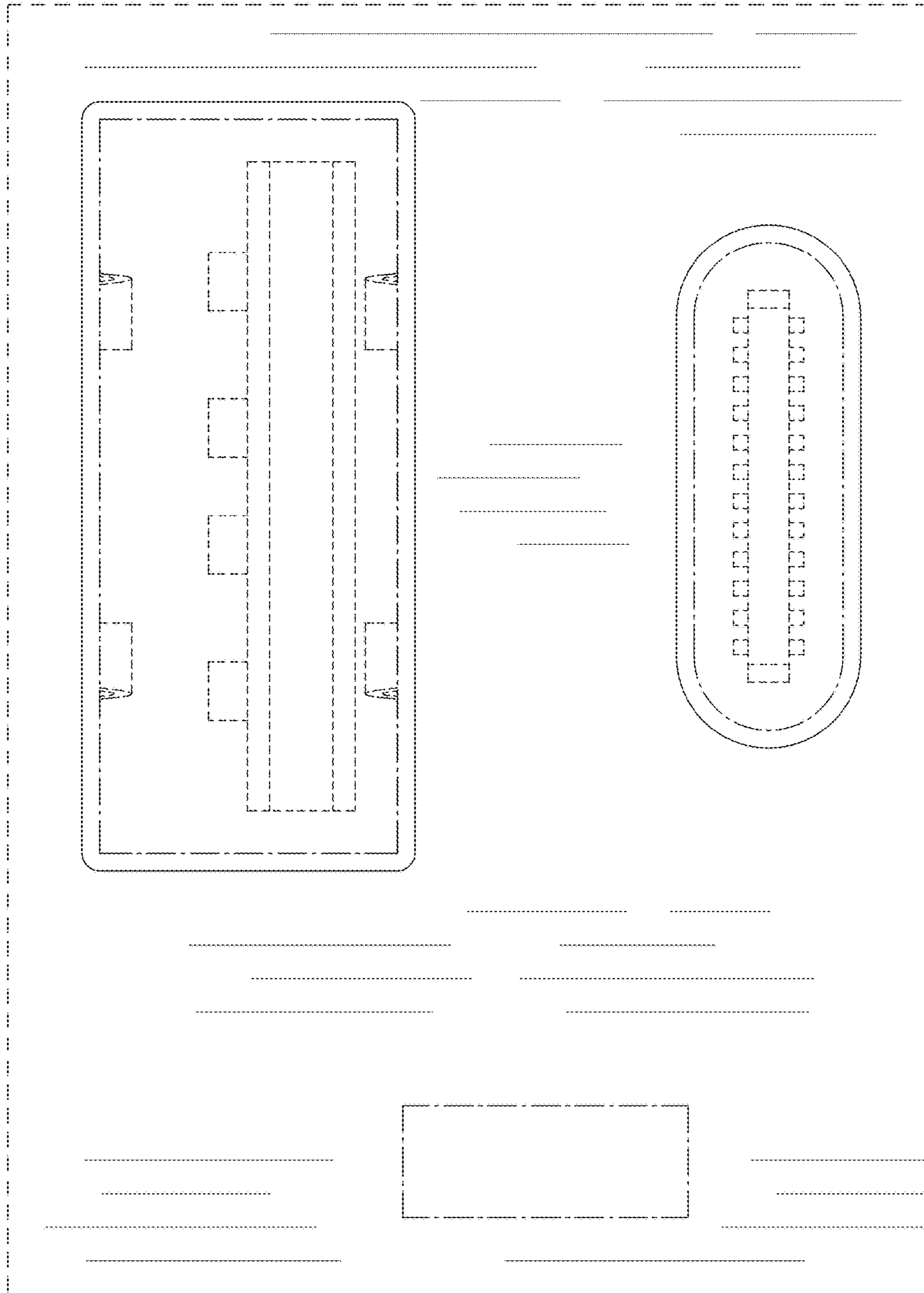


FIG. 6



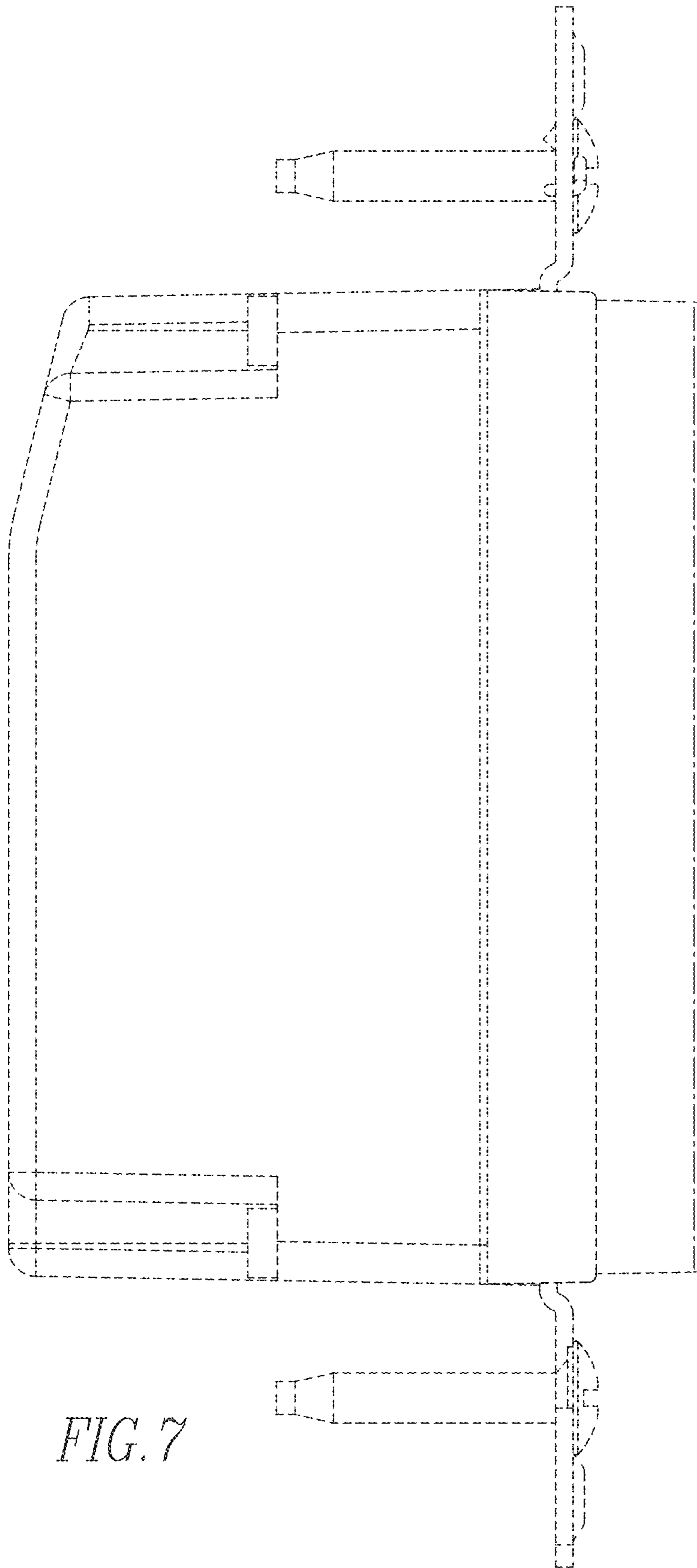


FIG. 7

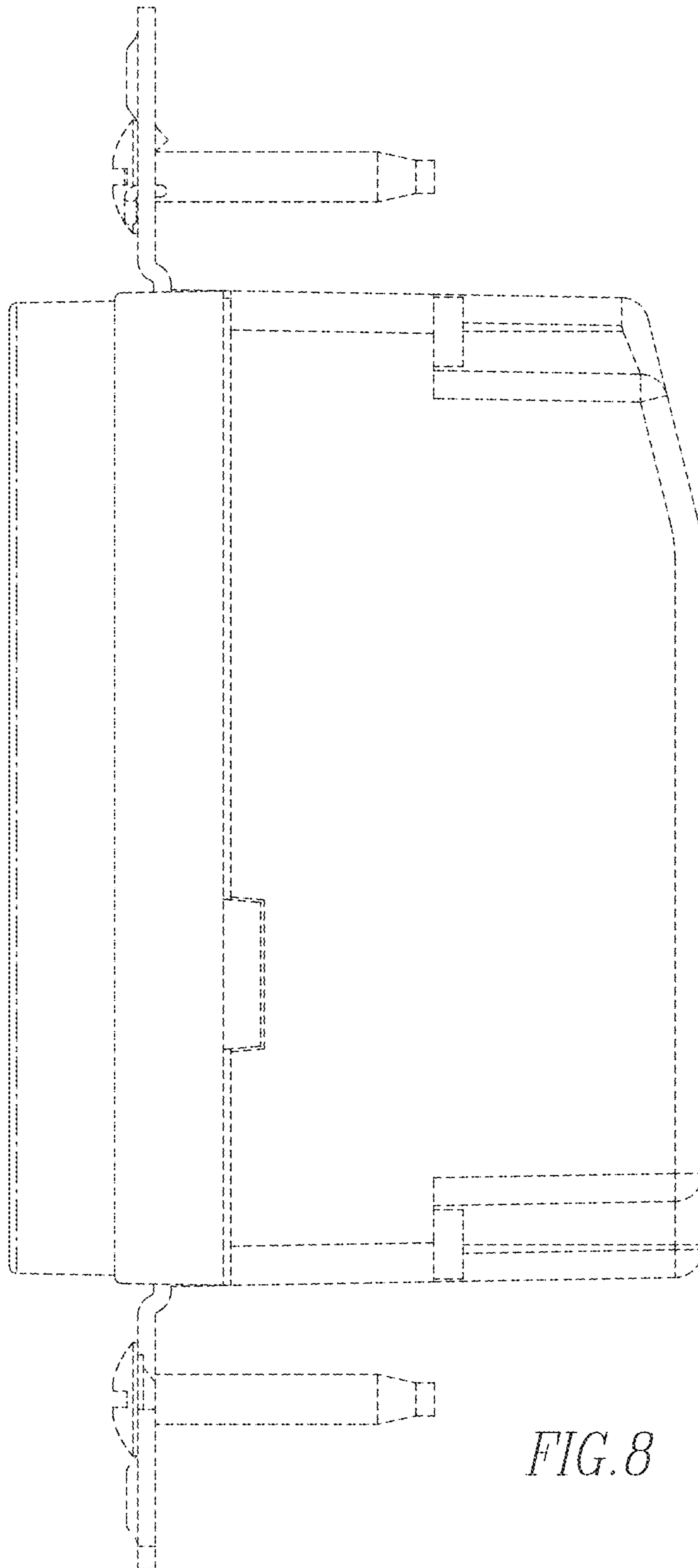


FIG. 8

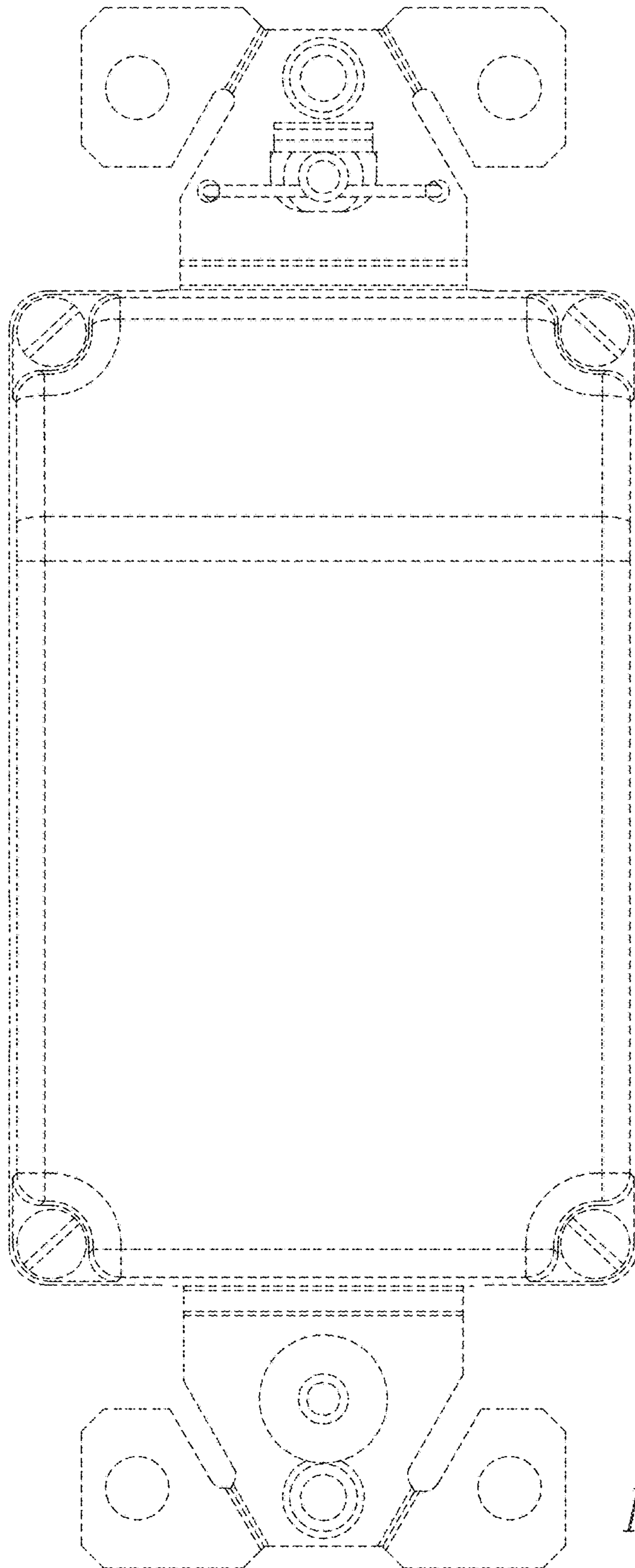
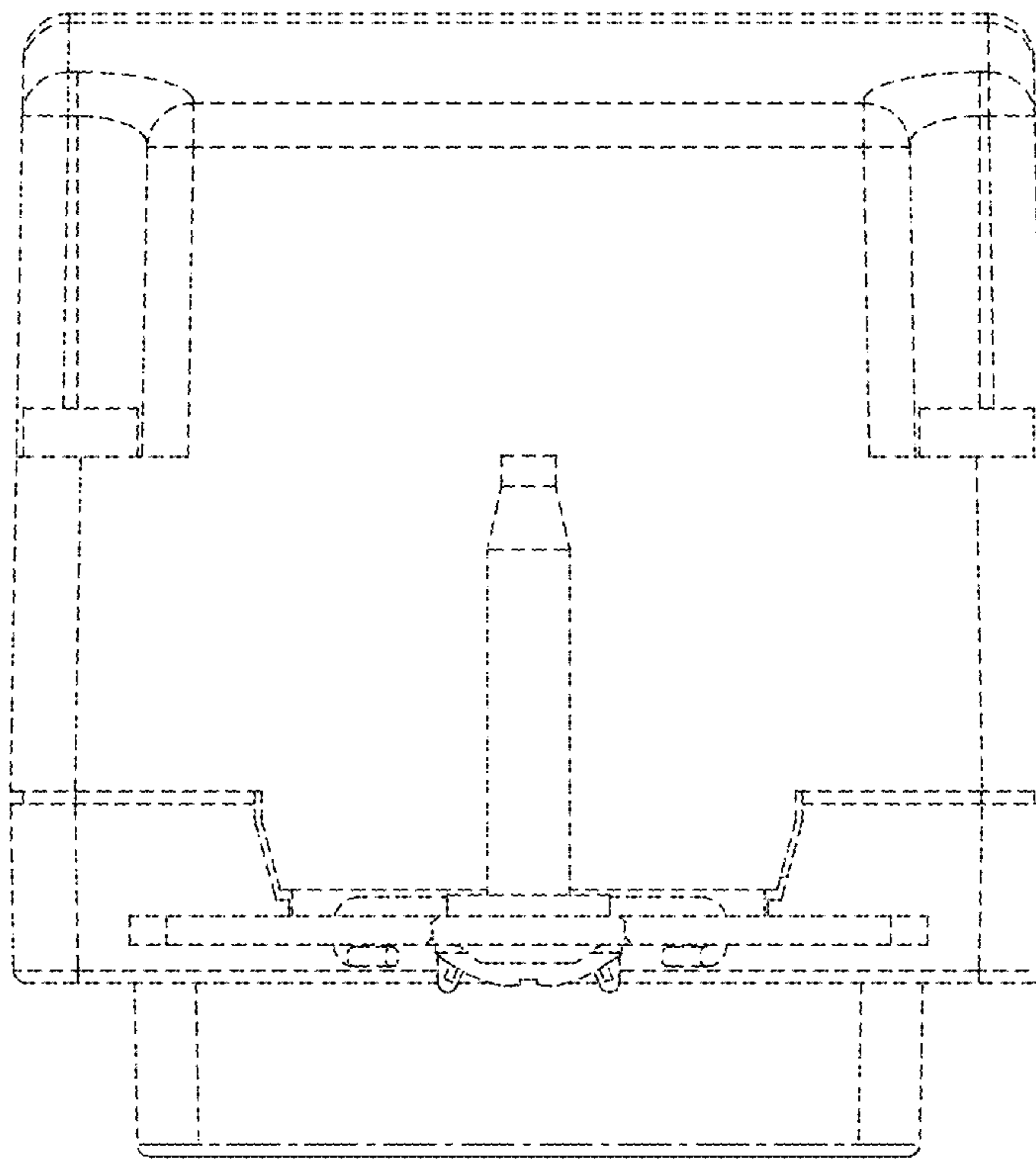
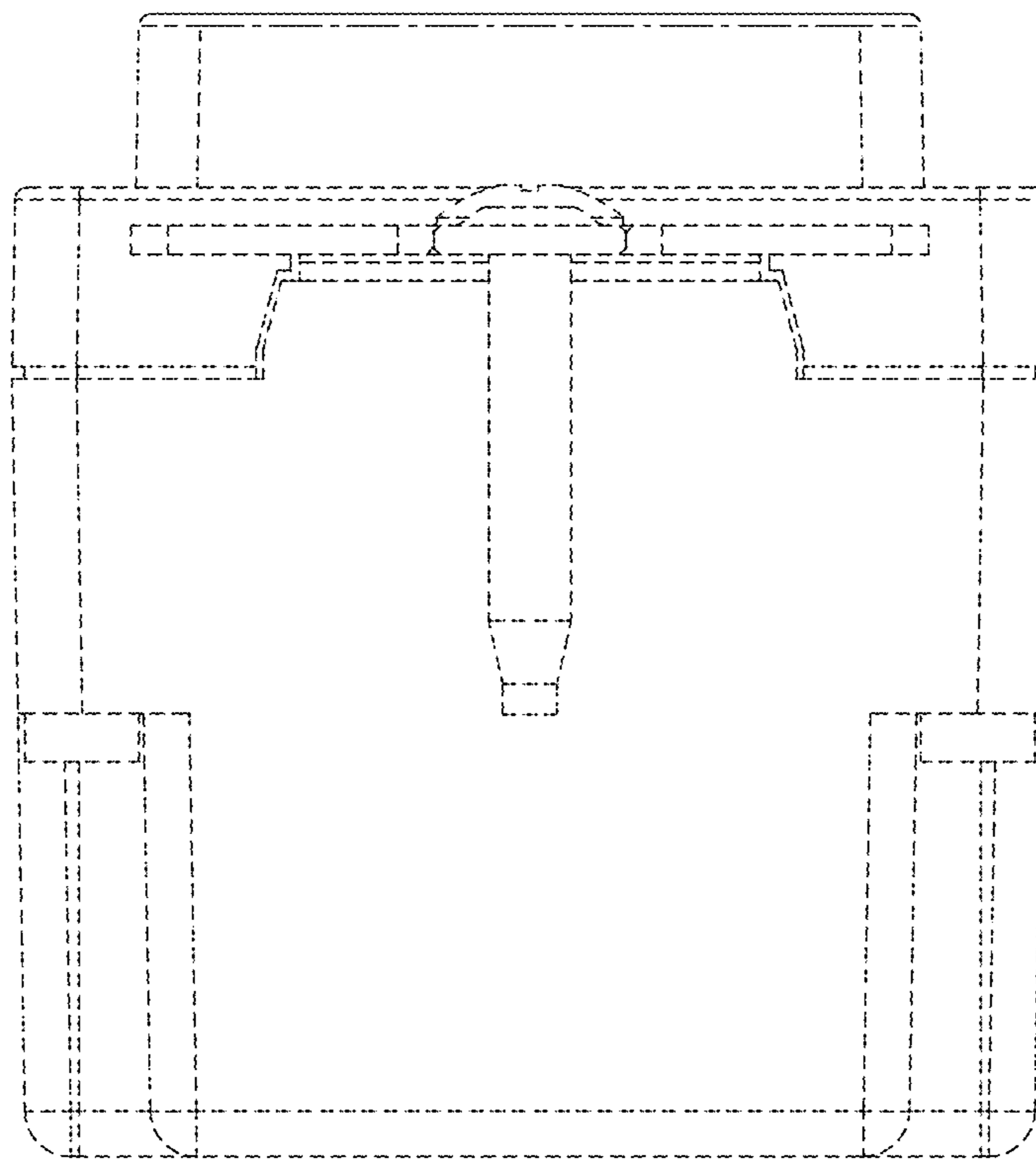


FIG. 9



*FIG. 10*





*FIG. 11*