

US00D817280S

(12) **United States Design Patent** (10) **Patent No.:** **US D817,280 S**
Nook et al. (45) **Date of Patent:** **** May 8, 2018**

(54) **ELECTRICAL CONNECTOR**

(71) Applicant: **The NOCO Company**, Glenwillow, OH (US)

(72) Inventors: **Jonathan Lewis Nook**, Gates Mills, OH (US); **William Knight Nook**, Shaker Heights, OH (US); **James Richard Stanfield**, Peoria, AZ (US); **Derek Michael Underhill**, Chandler, AZ (US)

(73) Assignee: **THE NOCO COMPANY**, Glenwillow, OH (US)

(**) Term: **15 Years**

(21) Appl. No.: **29/573,050**

(22) Filed: **Aug. 2, 2016**

(51) **LOC (11) Cl.** **13-03**

(52) **U.S. Cl.**
USPC **D13/133**

(58) **Field of Classification Search**
USPC D13/101, 102, 103, 106, 107, 108, 110, D13/116, 118, 123, 133, 134, 135, 146, D13/147, 148, 149, 150, 151, 153, 154, D13/155, 156, 159, 161, 173, 184, 199
CPC ... H01R 4/00; H01R 4/60; H01R 4/66; H01R 13/00; H01R 13/44; H01R 13/52; H01R 13/58; H01R 13/62; H01R 13/64; H01R 13/66; H01R 24/38; H01R 43/00; H01R 43/18; H01R 43/22; H01R 9/05; G02B 6/38; H02G 3/06

See application file for complete search history.

(56) **References Cited**

U.S. PATENT DOCUMENTS

5,127,848 A * 7/1992 Taguchi H01R 13/641
439/188
D475,014 S * 5/2003 Kano D13/133

D586,758 S * 2/2009 Victor D13/156
D726,114 S * 4/2015 Nook D13/133
D739,354 S * 9/2015 Nook D13/133
D741,264 S * 10/2015 Vanbecelaere D13/120
D754,606 S * 4/2016 Nook D13/133
9,407,037 B2 * 8/2016 Kim H01R 13/62938
2014/0199876 A1 * 7/2014 Kato H01R 13/4538
439/352

OTHER PUBLICATIONS

NOCO Genius GC004, posted at Amazon.com, posted on Jul. 7, 2004, [online], [site visited Jun. 7, 2017]. Available from Internet, <<https://www.amazon.com/NOCO-Genius-GC004-Extension-Cable/dp/B004LWV0GQ>>.*

(Continued)

Primary Examiner — Mary Ann Calabrese

Assistant Examiner — Catherine Ho

(74) *Attorney, Agent, or Firm* — Vorys, Sater, Seymour and Pease LLP; William L. Klima

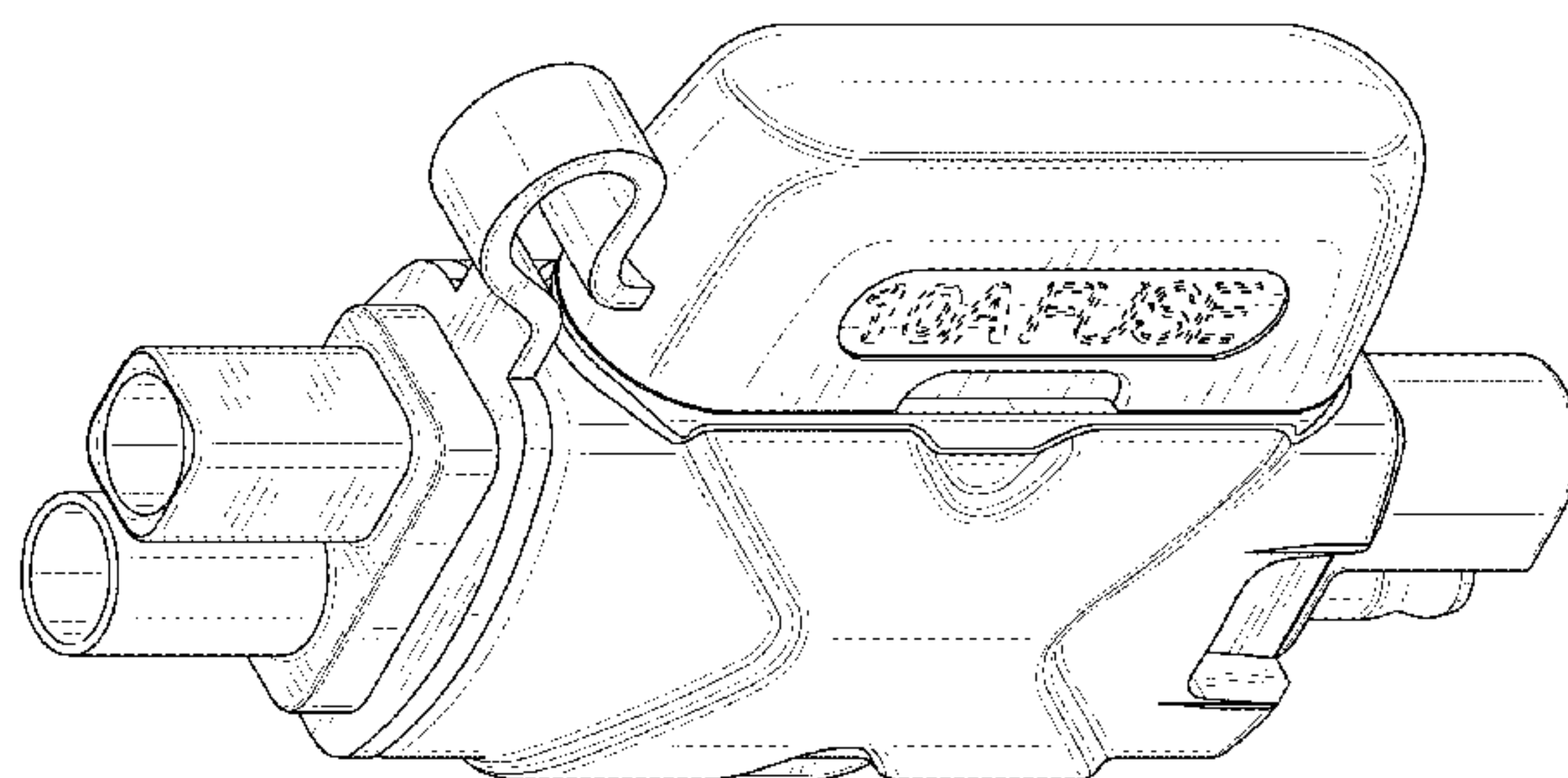
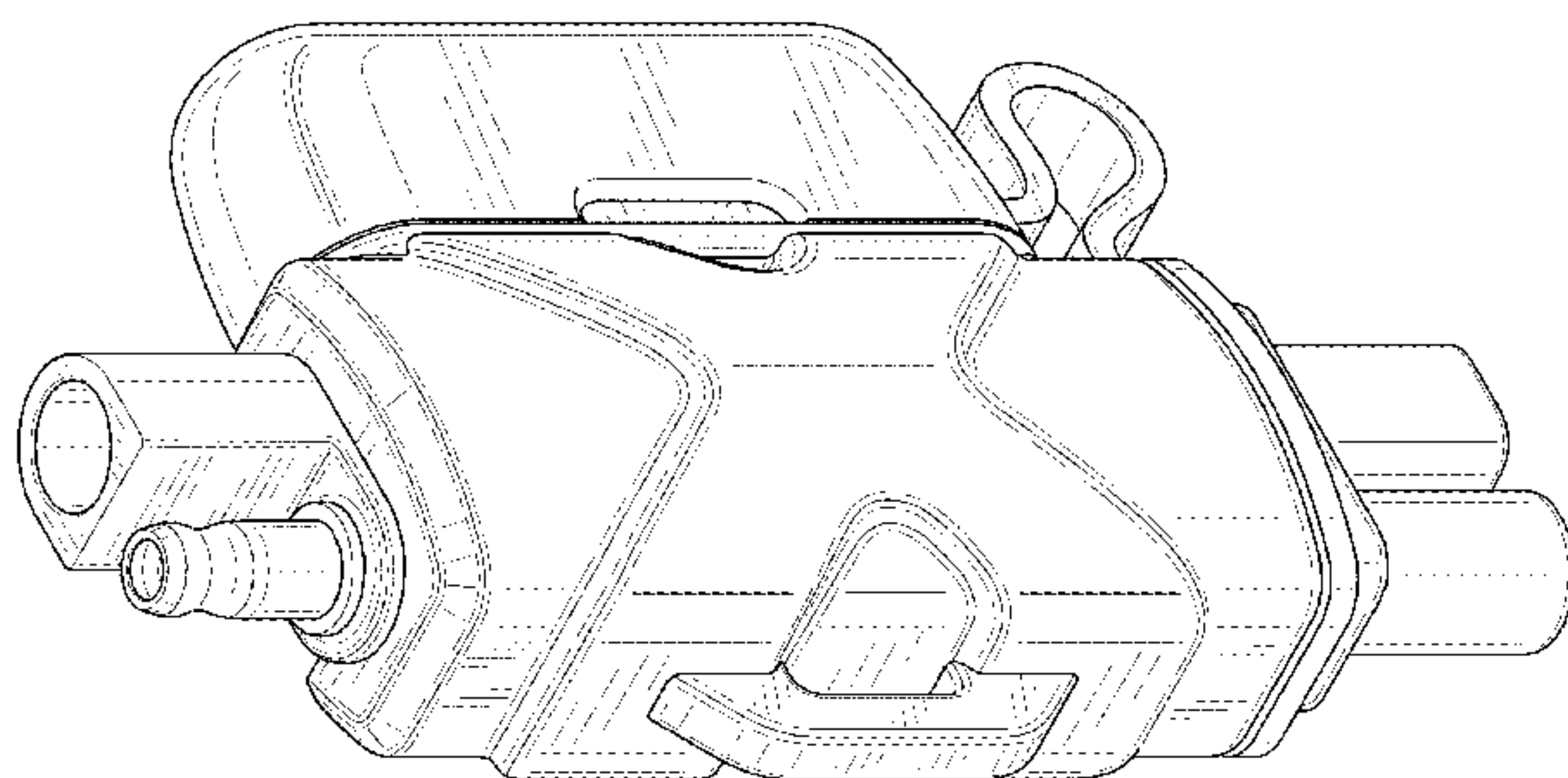
(57) **CLAIM**

The ornamental design for an electrical connector, as shown and described.

DESCRIPTION

FIG. 1 is a front and bottom perspective view for an electrical connector;
FIG. 2 is a front and top perspective view thereof;
FIG. 3 is a front elevational view thereof;
FIG. 4 is a rear elevational view thereof;
FIG. 5 is a left-side view thereof;
FIG. 6 is a right-side view thereof;
FIG. 7 is a top planar view thereof; and,
FIG. 8 is a bottom planar view thereof.
The broken lines shown represent unclaimed subject matter and form no part of the claimed design.

1 Claim, 6 Drawing Sheets



(56)

References Cited

OTHER PUBLICATIONS

Blue Sea Systems Waterproof In-Line, posted at Amazon.com, posted on Jun. 9, 2014, [online], [site visited Jun. 7, 2017]. Available from Internet, <<https://www.amazon.com/Blue-Sea-Systems-Waterproof-Holder/dp/B004ZIUA62>>.*

Iztoss Waterproof Car Auto, posted at Amazon.com, posted on Sep. 8, 2015, [online], [site visited Jun. 7, 2017]. Available from Internet, <<https://www.amazon.com/Iztoss-Waterproof-Blade-Holder-Fuses/dp/B01531YFYW>>.*

* cited by examiner

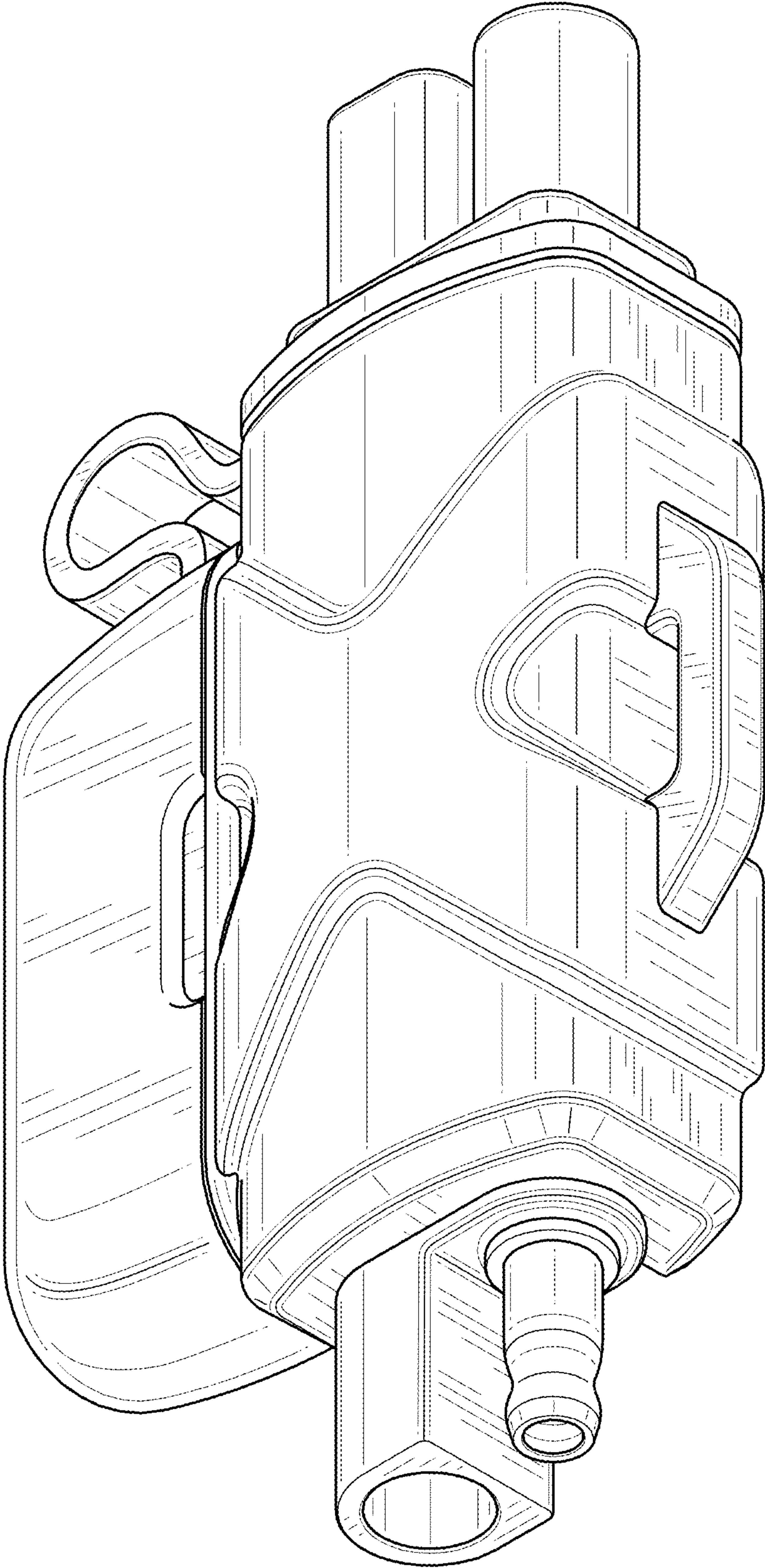


FIG. 1

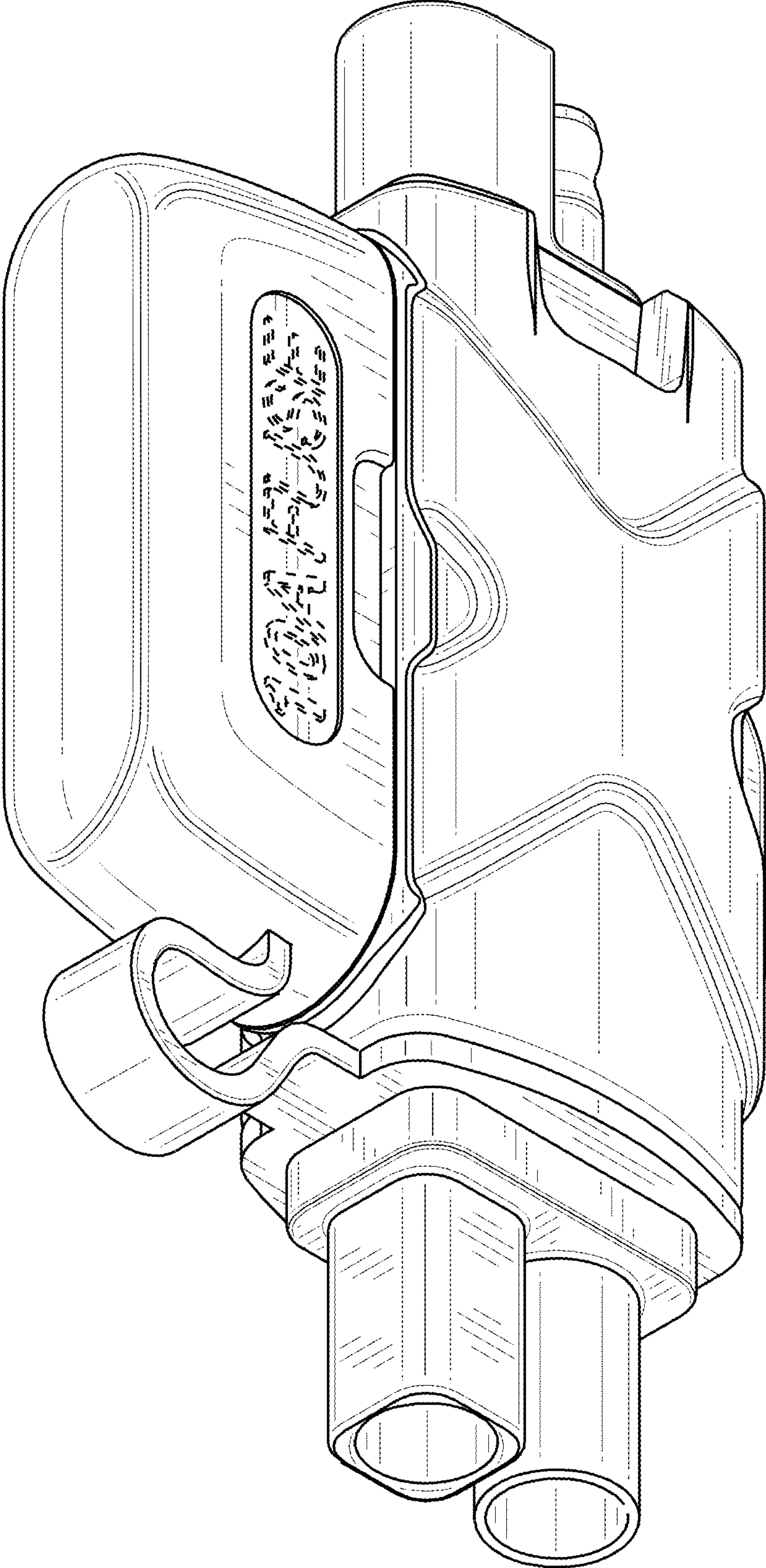


FIG. 2

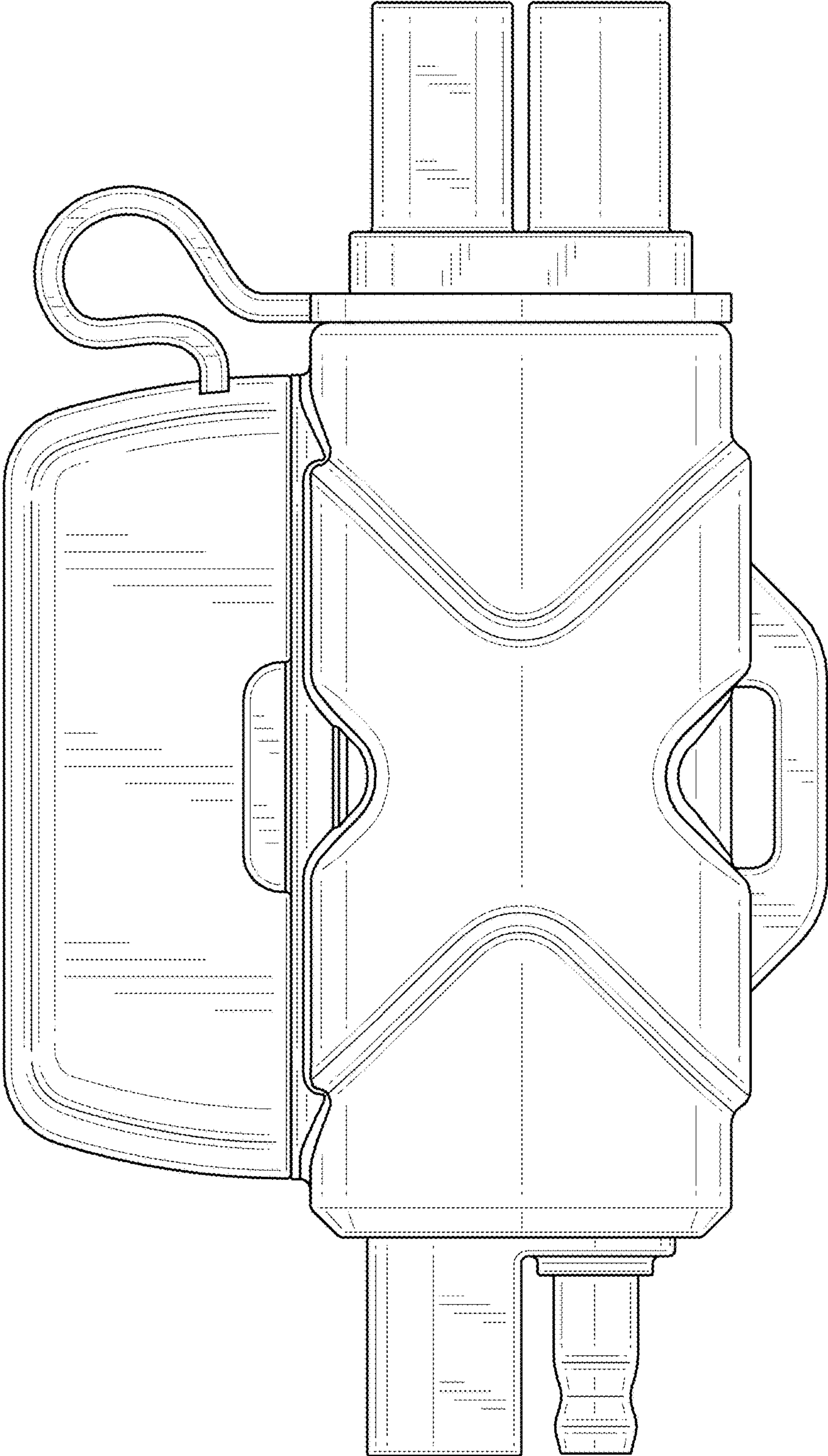


FIG. 3

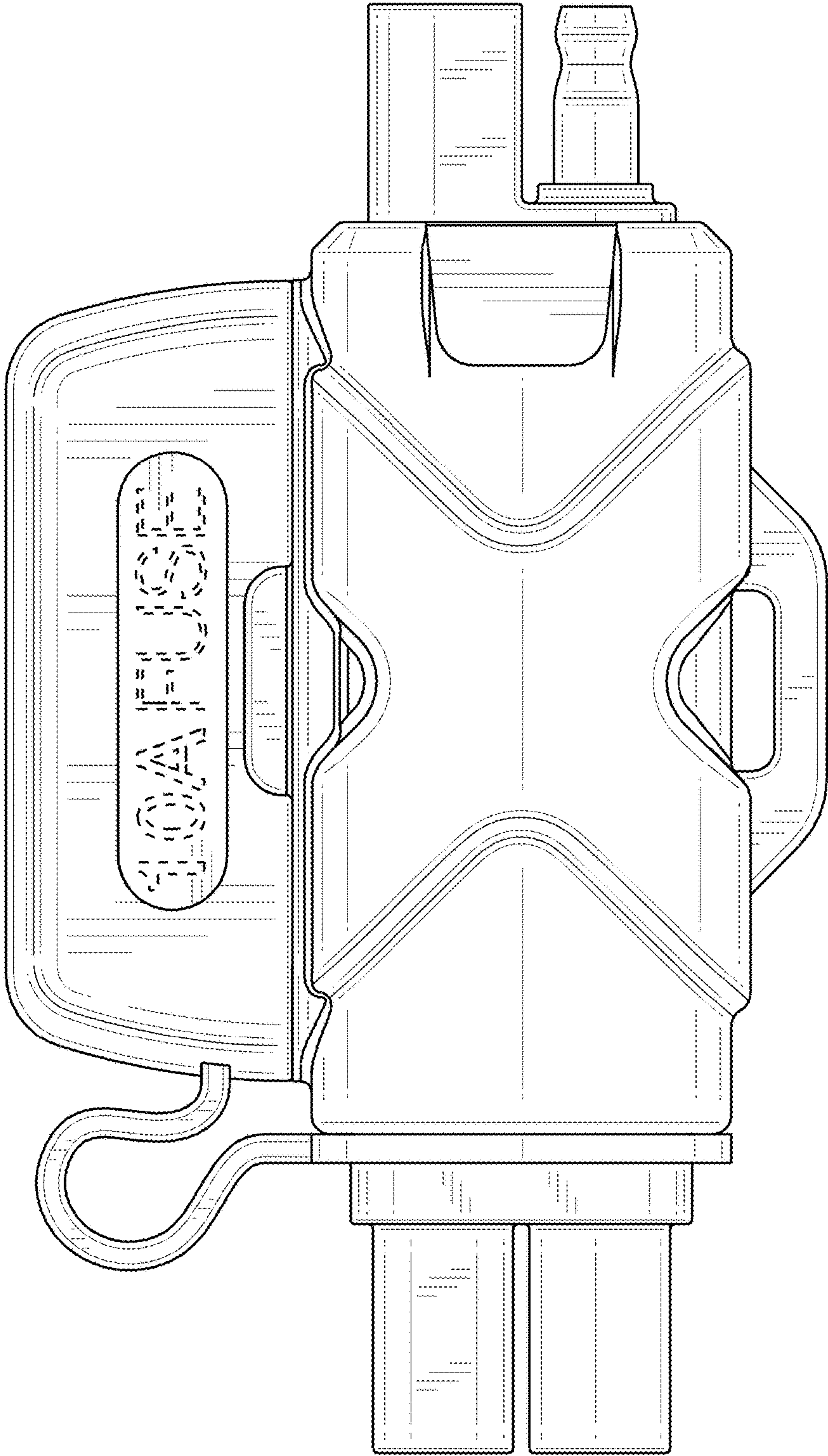


FIG. 4

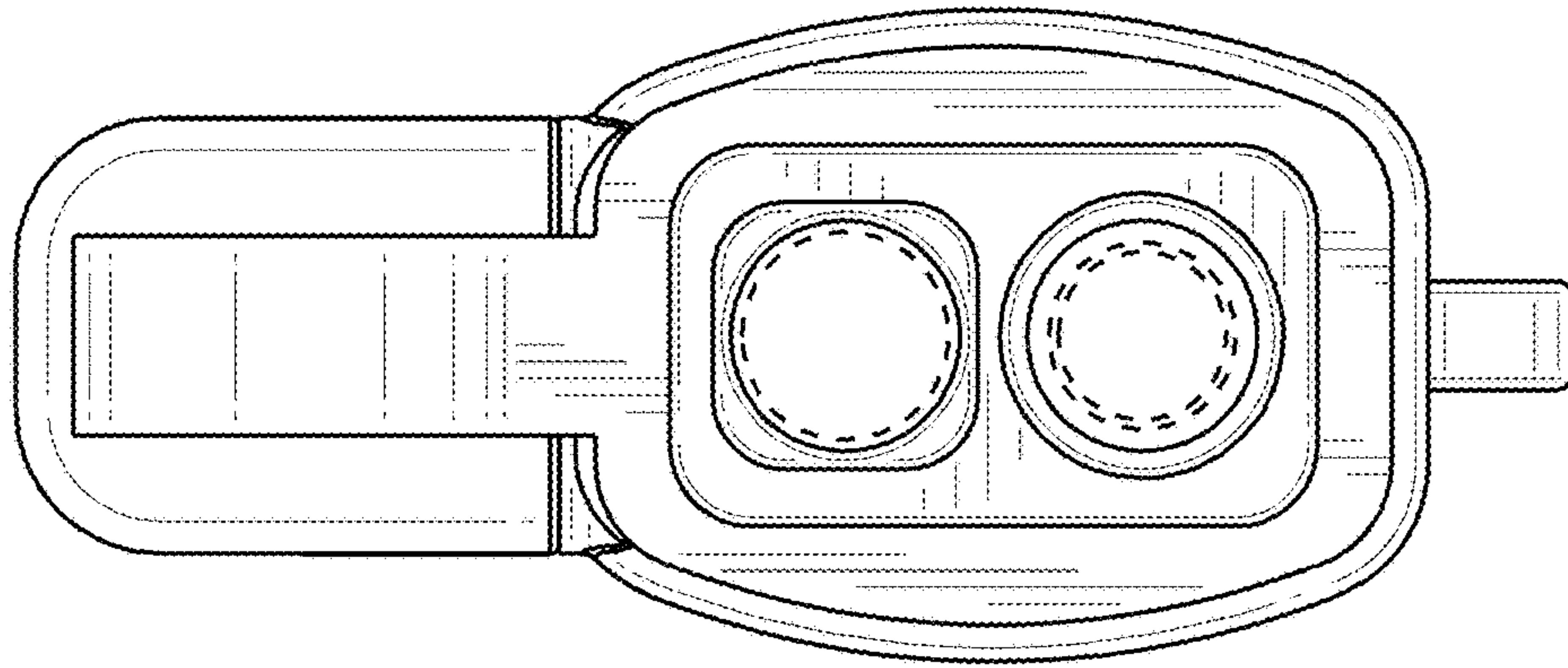


FIG. 5

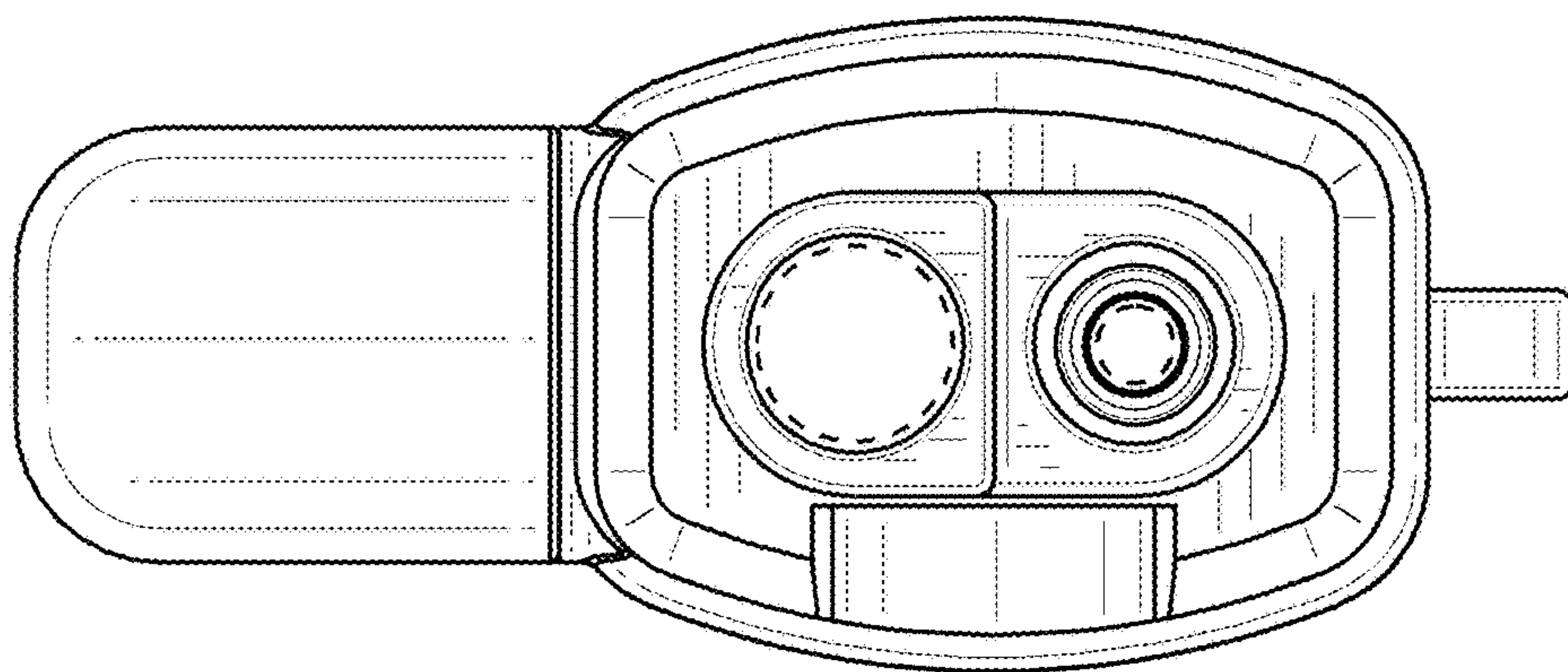


FIG. 6

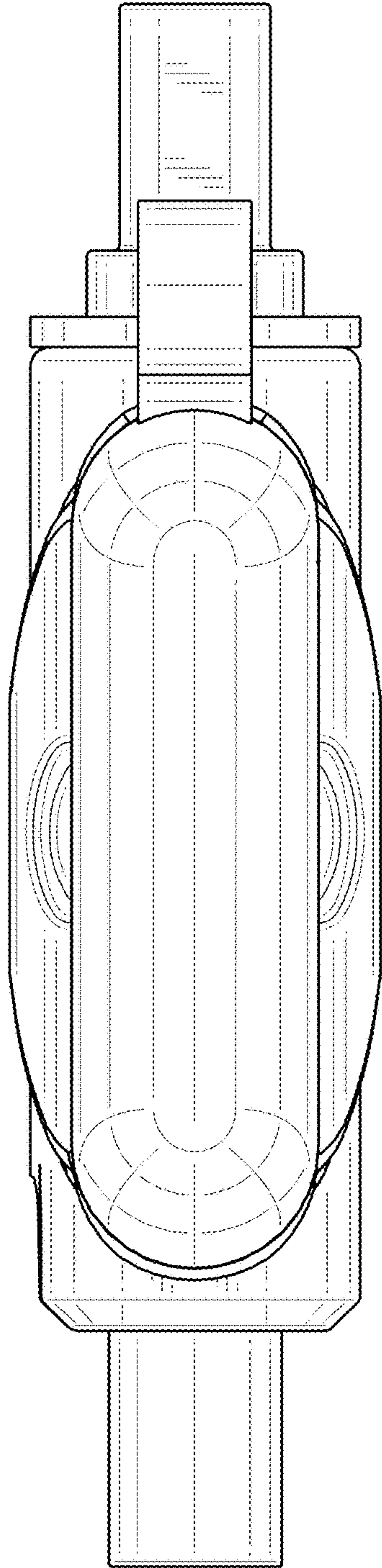


FIG. 7

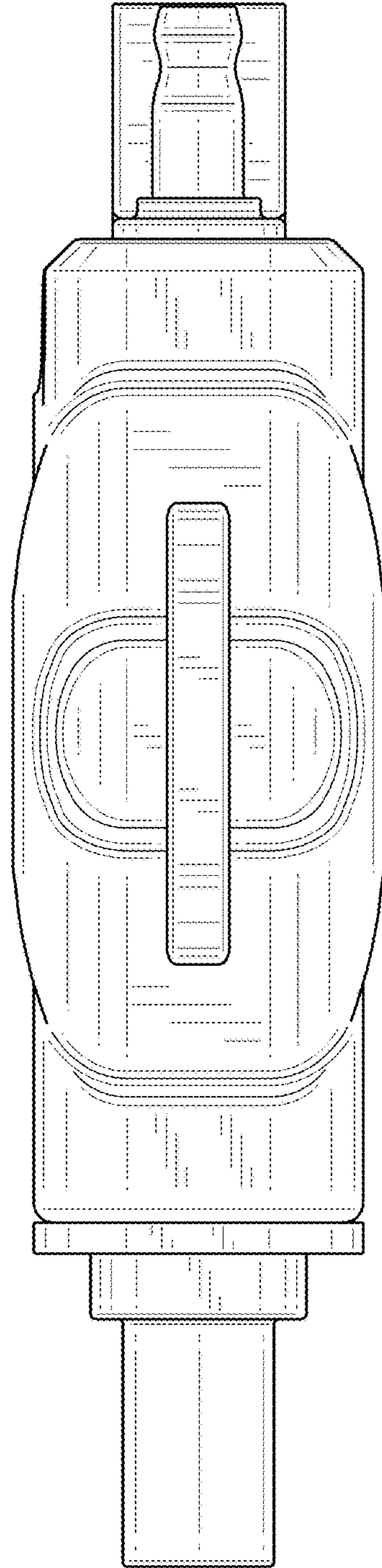


FIG. 8