



US00D817279S

(12) **United States Design Patent** (10) **Patent No.:** **US D817,279 S**  
**Lin et al.** (45) **Date of Patent:** **\*\* May 8, 2018**

(54) **CONTROLLER FOR LINEAR ACTUATOR**

(71) Applicant: **TIMOTION TECHNOLOGY CO., LTD.**, New Taipei (TW)

(72) Inventors: **Yu-Chang Lin**, New Taipei (TW);  
**Bing-Sen Zhuang**, New Taipei (TW)

(73) Assignee: **TIMOTION TECHNOLOGY CO., LTD.**, New Taipei (TW)

(\*\*) Term: **15 Years**

(21) Appl. No.: **29/577,500**

(22) Filed: **Sep. 13, 2016**

(51) **LOC (11) Cl.** ..... **13-03**

(52) **U.S. Cl.**  
USPC ..... **D13/123**; D13/167; D13/168

(58) **Field of Classification Search**  
USPC ... D13/118, 123, 137.4, 162, 163, 164, 167,  
D13/168, 171, 174, 184, 199; D15/142,  
D15/143, 148, 149, 199; D17/24, 99;  
D24/113, 133, 138, 177, 179, 214, 231  
See application file for complete search history.

(56) **References Cited**

**U.S. PATENT DOCUMENTS**

D348,652 S *	7/1994	Reed	.....	D13/162
D570,283 S *	6/2008	Yoshida	.....	D13/125
D600,654 S *	9/2009	Liao	.....	D13/164
D611,914 S *	3/2010	Chiang	.....	D13/164
D617,746 S *	6/2010	Choi	.....	D13/164
D705,687 S *	5/2014	Saikawa	.....	D10/108
D709,837 S *	7/2014	Charleux	.....	D13/168
D710,315 S *	8/2014	Tsai	.....	D13/168
D710,808 S *	8/2014	Charleux	.....	D13/168
D737,763 S *	9/2015	Capriola	.....	D13/110
9,212,690 B2 *	12/2015	Wu	.....	H05K 5/0017
D754,602 S *	4/2016	Capriola	.....	D13/110
D766,845 S *	9/2016	Gong	.....	D13/168
D766,848 S *	9/2016	Gong	.....	D13/168
D767,511 S *	9/2016	Gong	.....	D13/168

D776,090 S *	1/2017	Huang	.....	D14/218
D781,249 S *	3/2017	Park	.....	D13/168
D785,574 S *	5/2017	Wu	.....	D13/162
D792,356 S *	7/2017	Lin	.....	D13/162
D802,542 S *	11/2017	Christensen	.....	D13/168
D808,454 S *	1/2018	Seflic	.....	D16/200
D809,520 S *	2/2018	Jou	.....	D14/455

**OTHER PUBLICATIONS**

TH10 Series. posted on timotion.com, no posted date given, no production date given, [online], [site visited Feb. 25, 2018], Available from Internet, URL: <https://www.timotion.com/product/1481523032/727> (Year: 2018).\*

\* cited by examiner

*Primary Examiner* — Melanie H Tung

*Assistant Examiner* — Fitzgerald L Butac

(74) *Attorney, Agent, or Firm* — Chun-Ming Shih; HDLS IPR Services

(57) **CLAIM**

The ornamental design for a controller for linear actuator, as shown and described.

**DESCRIPTION**

FIG. 1 is a perspective view of a controller for linear actuator showing my new design;

FIG. 2 is a front view thereof;

FIG. 3 is a rear view thereof;

FIG. 4 is a left side view thereof;

FIG. 5 is a right side view thereof;

FIG. 6 is a top view thereof;

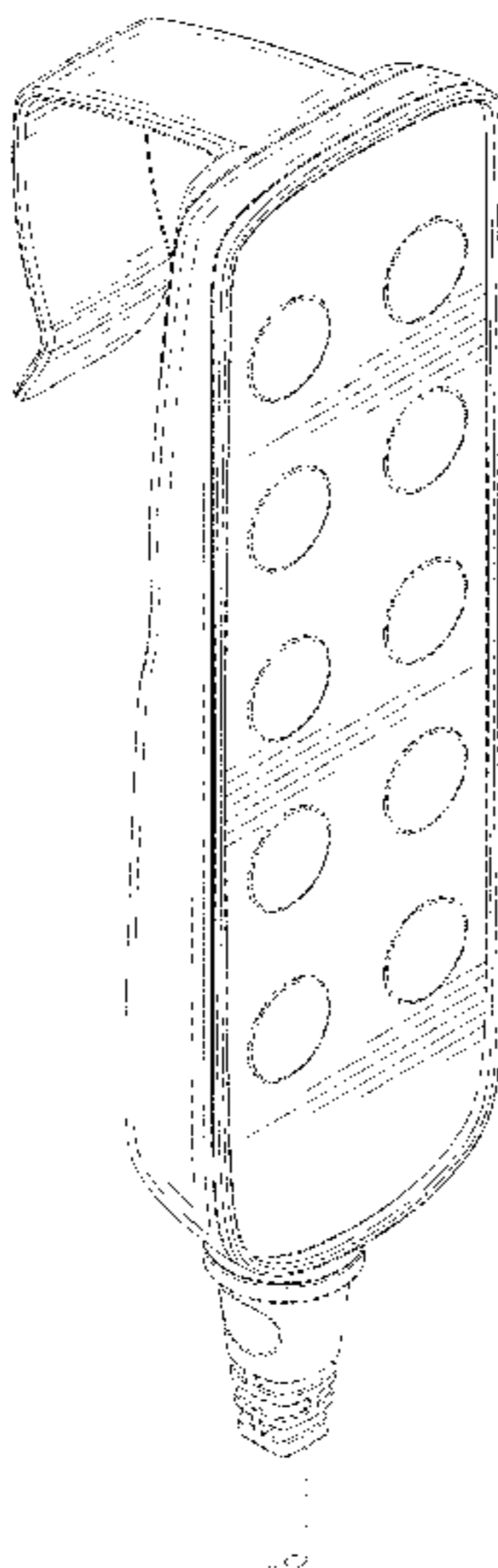
FIG. 7 is a bottom view thereof;

FIG. 8 is second perspective view thereof; and,

FIG. 9 is third perspective view showing the controller for linear actuator.

The broken lines show portions of a controller for linear actuator and form no part of the claimed design.

**1 Claim, 9 Drawing Sheets**



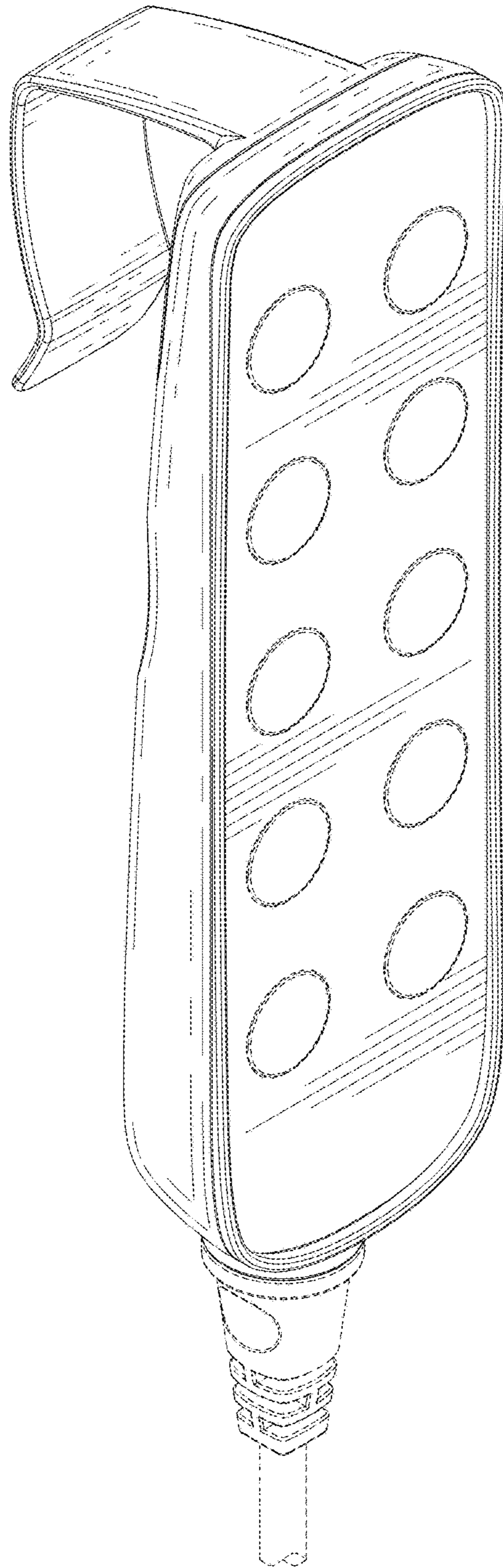


FIG. 1

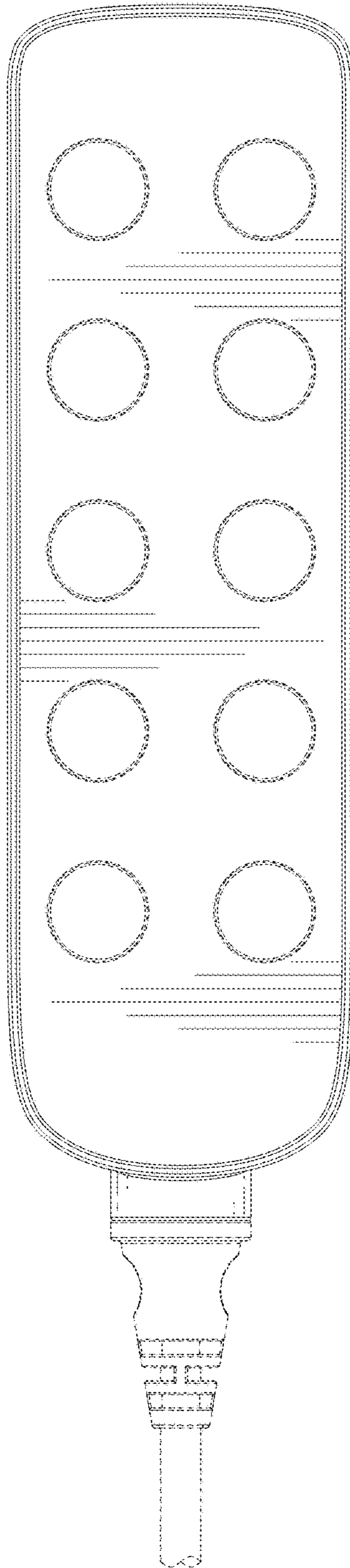


FIG.2

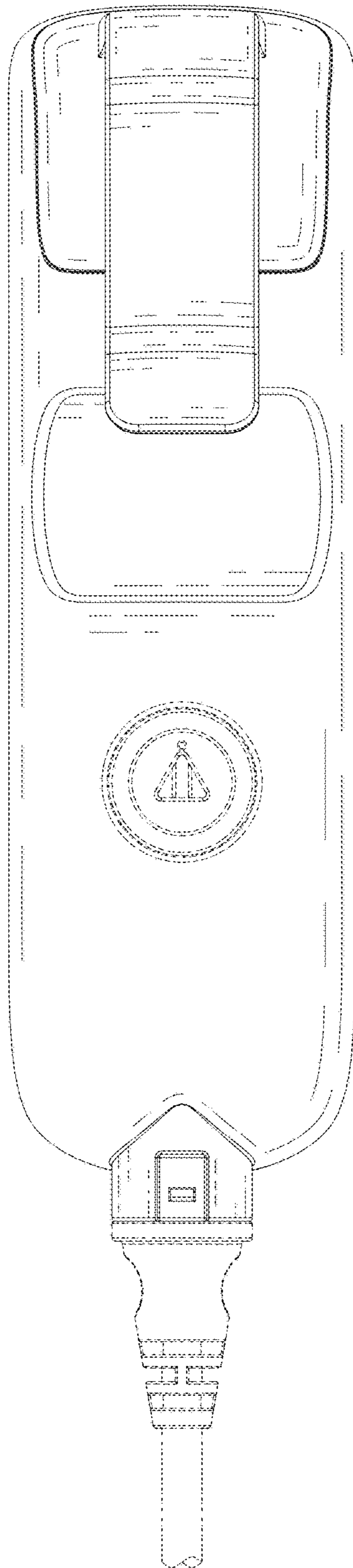


FIG.3

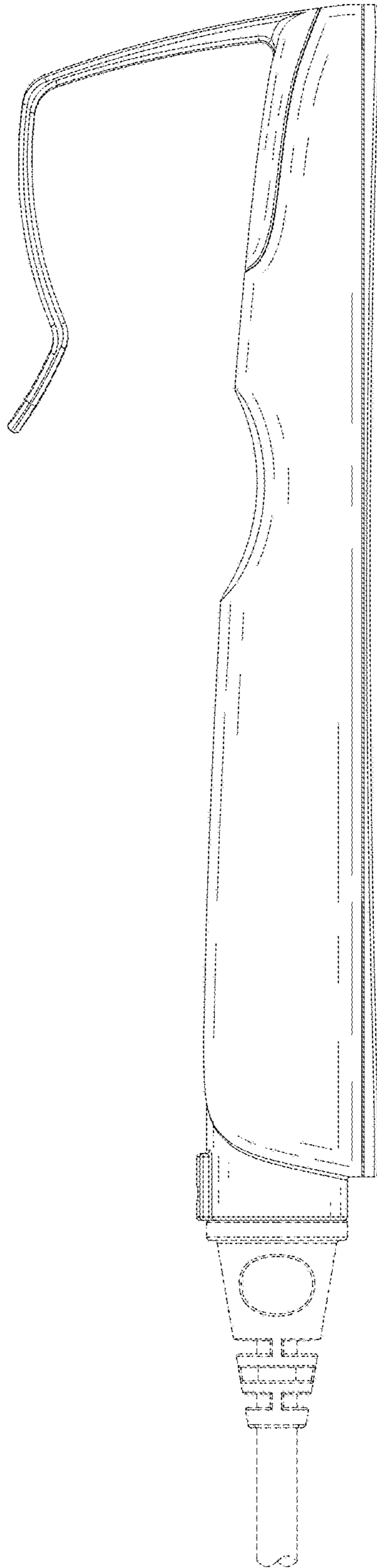


FIG.4

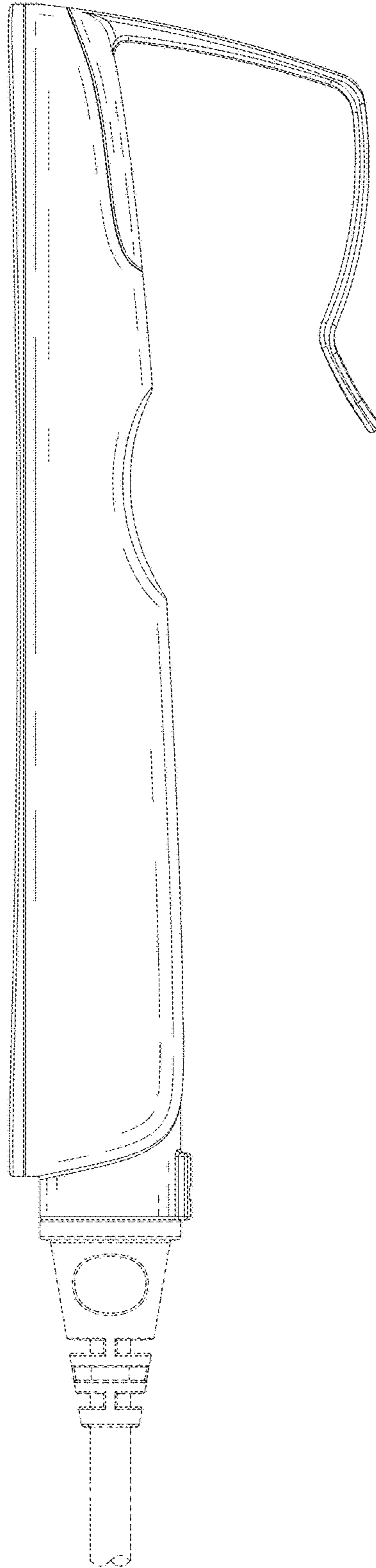


FIG.5

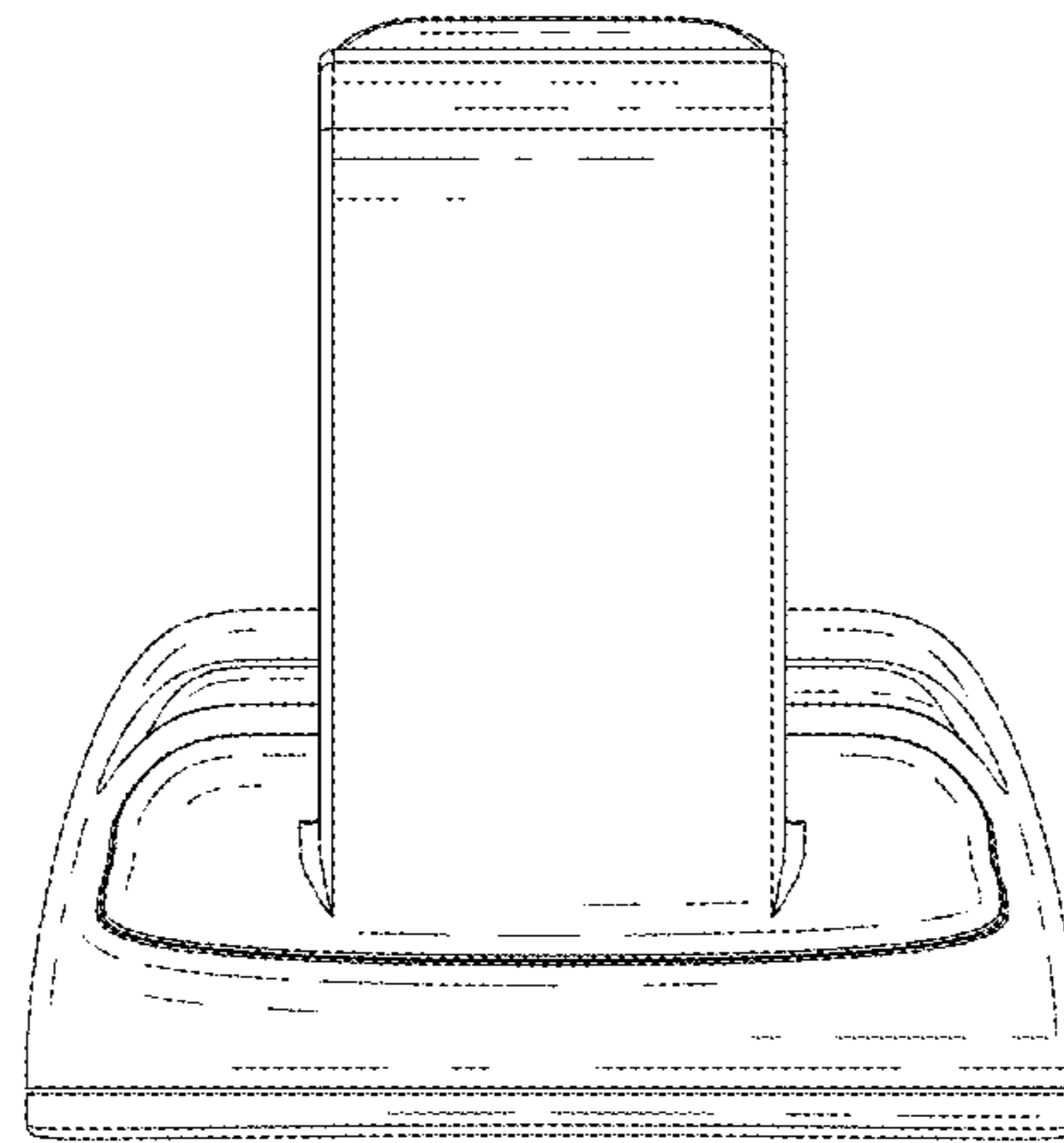


FIG.6

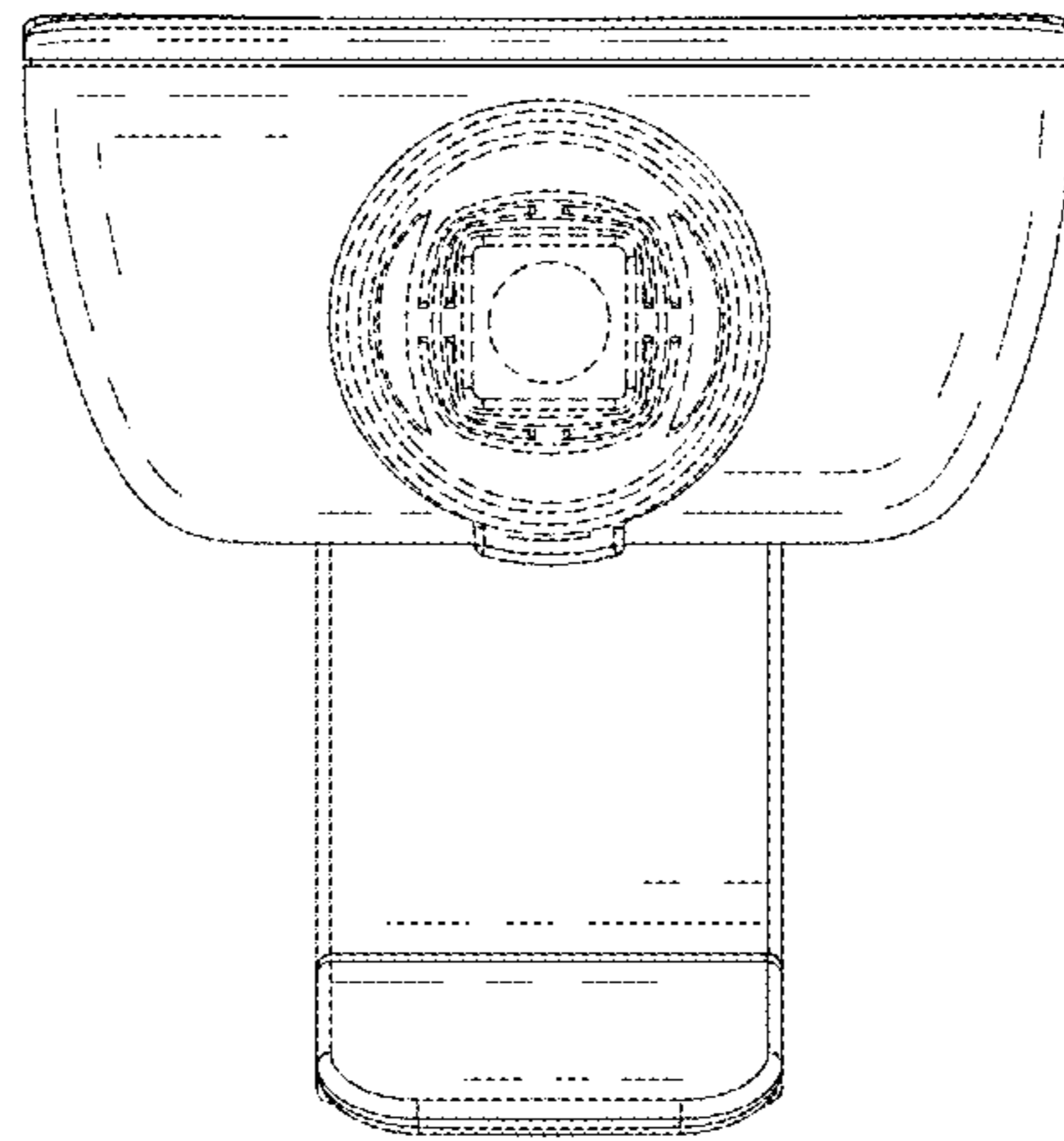


FIG.7



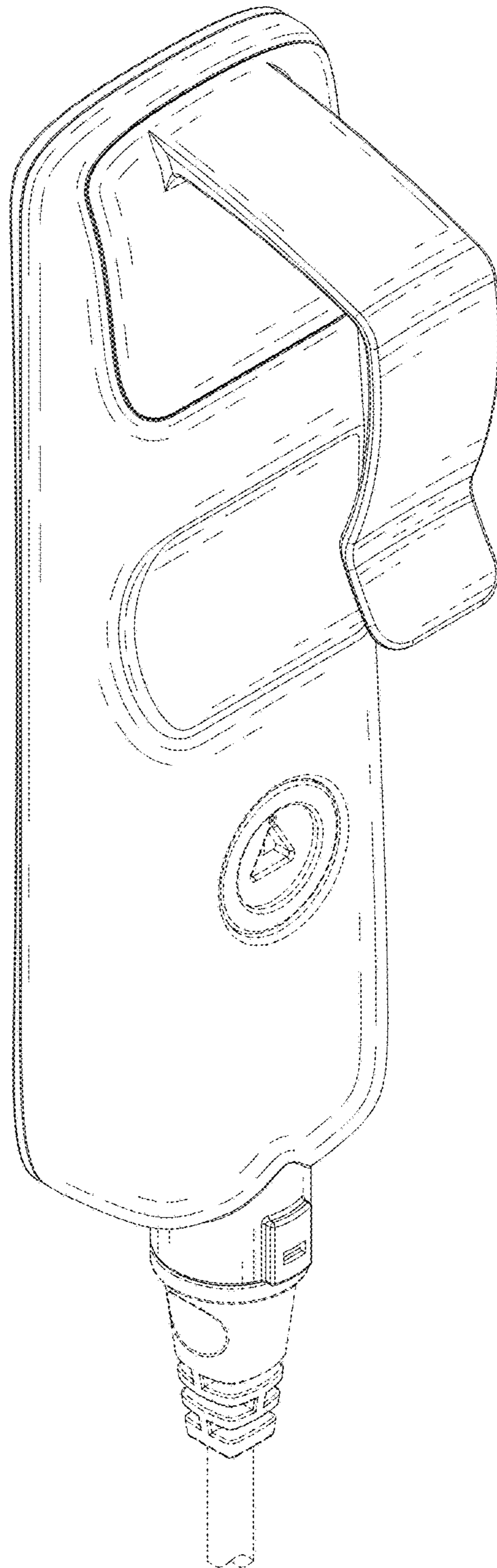


FIG.8

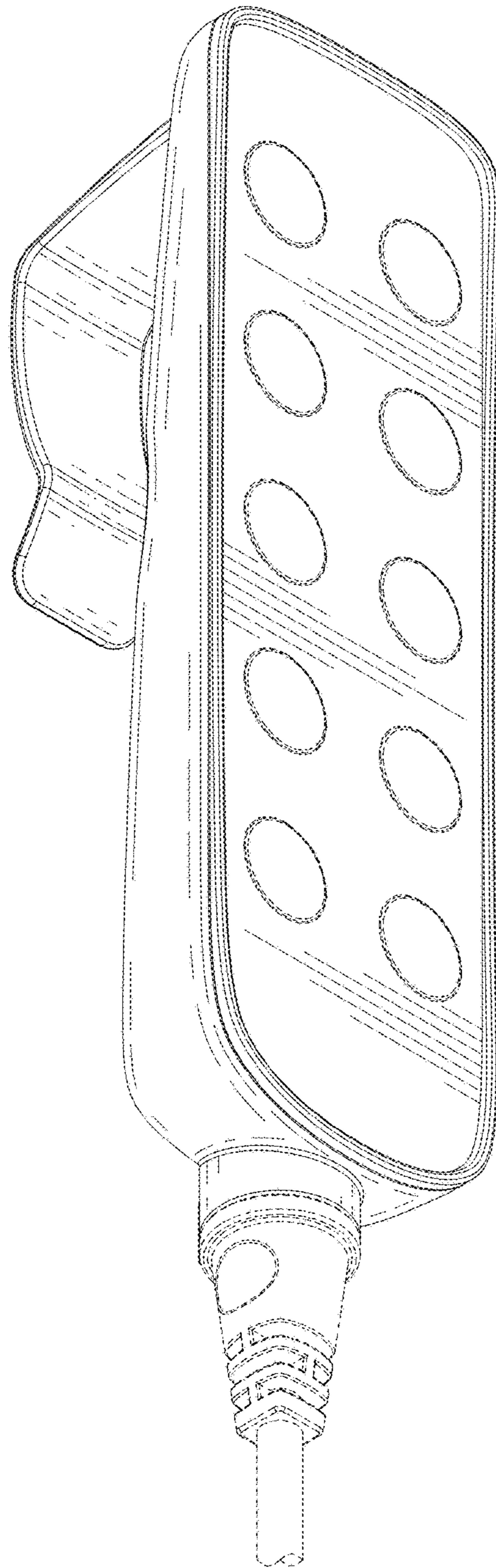


FIG.9