



US00D817276S

(12) **United States Design Patent**  
**Ozaki et al.**

(10) **Patent No.:** **US D817,276 S**  
(45) **Date of Patent:** **\*\* May 8, 2018**

(54) **SERVOMOTOR**

(71) Applicant: **MITSUBISHI ELECTRIC CORPORATION**, Tokyo (JP)

(72) Inventors: **Kenta Ozaki**, Tokyo (JP); **Hiroki Kobayashi**, Tokyo (JP); **Kempei Yoshida**, Tokyo (JP); **Kazuyuki Enomoto**, Tokyo (JP); **Hisashi Otsuka**, Tokyo (JP)

(73) Assignee: **Mitsubishi Electric Corporation**, Tokyo (JP)

(\*\*) Term: **15 Years**

(21) Appl. No.: **29/562,854**

(22) Filed: **Apr. 29, 2016**

(30) **Foreign Application Priority Data**

Jan. 13, 2016 (JP) ..... 2016-000513  
Jan. 13, 2016 (JP) ..... 2016-000514  
Jan. 13, 2016 (JP) ..... 2016-000515

(51) **LOC (11) Cl.** ..... **13-01**

(52) **U.S. Cl.**  
USPC ..... **D13/112**

(58) **Field of Classification Search**  
USPC ..... D13/101, 110, 112, 113, 114, 118, 120,  
D13/122, 174, 184, 199; D15/5, 143,  
D15/148, 199; D23/233; D12/180  
(Continued)

(56) **References Cited**

**U.S. PATENT DOCUMENTS**

D237,387 S \* 10/1975 Monroe ..... D13/122  
D269,671 S \* 7/1983 Horsting ..... D13/122  
(Continued)

*Primary Examiner* — Derrick Holland

(74) *Attorney, Agent, or Firm* — Studebaker & Brackett PC

(57) **CLAIM**

The ornamental design for a servomotor, as shown and described.

**DESCRIPTION**

FIG. 1 is a perspective view of the front, right and top sides of a servomotor according to the first embodiment showing our new design;

FIG. 2 is a perspective view of the rear, left and bottom sides thereof;

FIG. 3 is a front view thereof;

FIG. 4 is a rear view thereof;

FIG. 5 is a left side view thereof;

FIG. 6 is a right side view thereof;

FIG. 7 is a top view thereof;

FIG. 8 is a bottom view thereof;

FIG. 9 is a perspective view of the front, right and top sides of a servomotor according to the second embodiment showing our new design;

FIG. 10 is a perspective view of the rear, left and bottom sides thereof;

FIG. 11 is a front view thereof;

FIG. 12 is a rear view thereof;

FIG. 13 is a left side view thereof;

FIG. 14 is a right side view thereof;

FIG. 15 is a top view thereof;

FIG. 16 is a bottom view thereof;

FIG. 17 is a perspective view of the front, right and top sides of a servomotor according to the third embodiment showing our new design;

FIG. 18 is a perspective view of the rear, left and bottom sides thereof;

FIG. 19 is a front view thereof;

FIG. 20 is a rear view thereof;

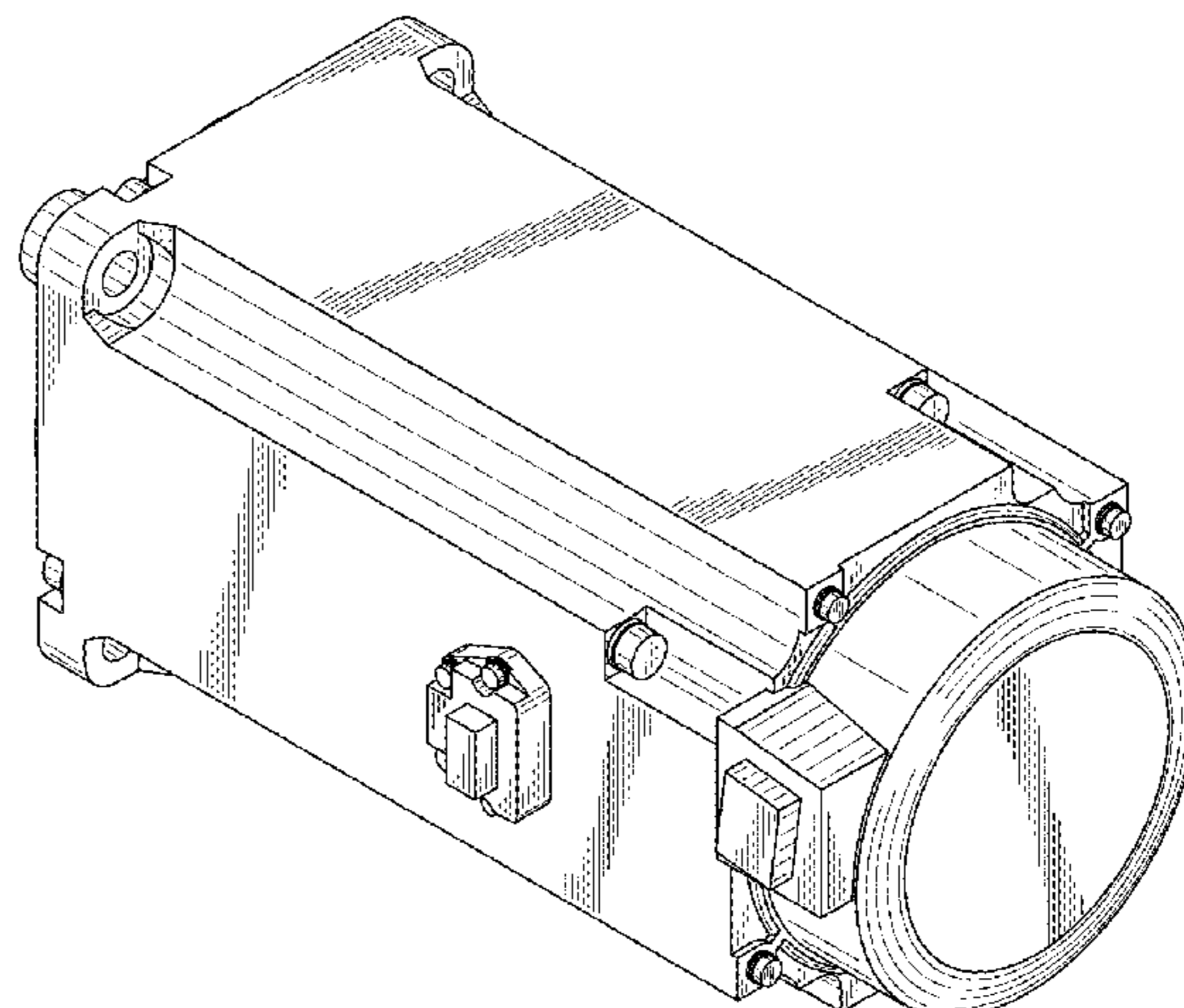
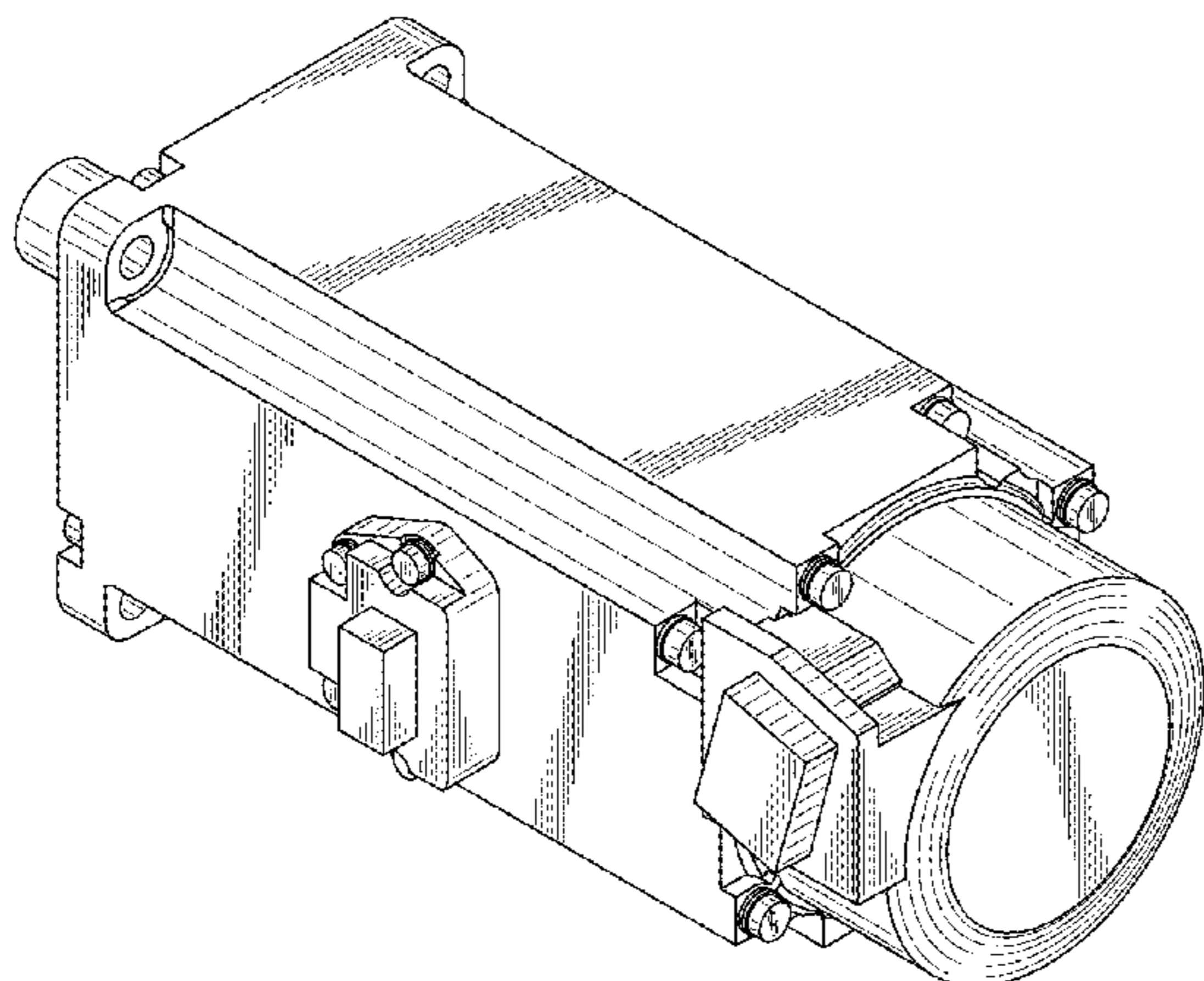
FIG. 21 is a left side view thereof;

FIG. 22 is a right side view thereof;

FIG. 23 is a top view thereof; and,

FIG. 24 is a bottom view thereof.

**1 Claim, 24 Drawing Sheets**



(58) **Field of Classification Search**

CPC ..... H02K 5/00; H02K 5/148; H02K 5/225;  
H02K 11/026; H02K 11/40; H01R 39/38;  
F16D 41/04; F16D 65/14; F16D 2125/40;  
F16D 2125/48

See application file for complete search history.

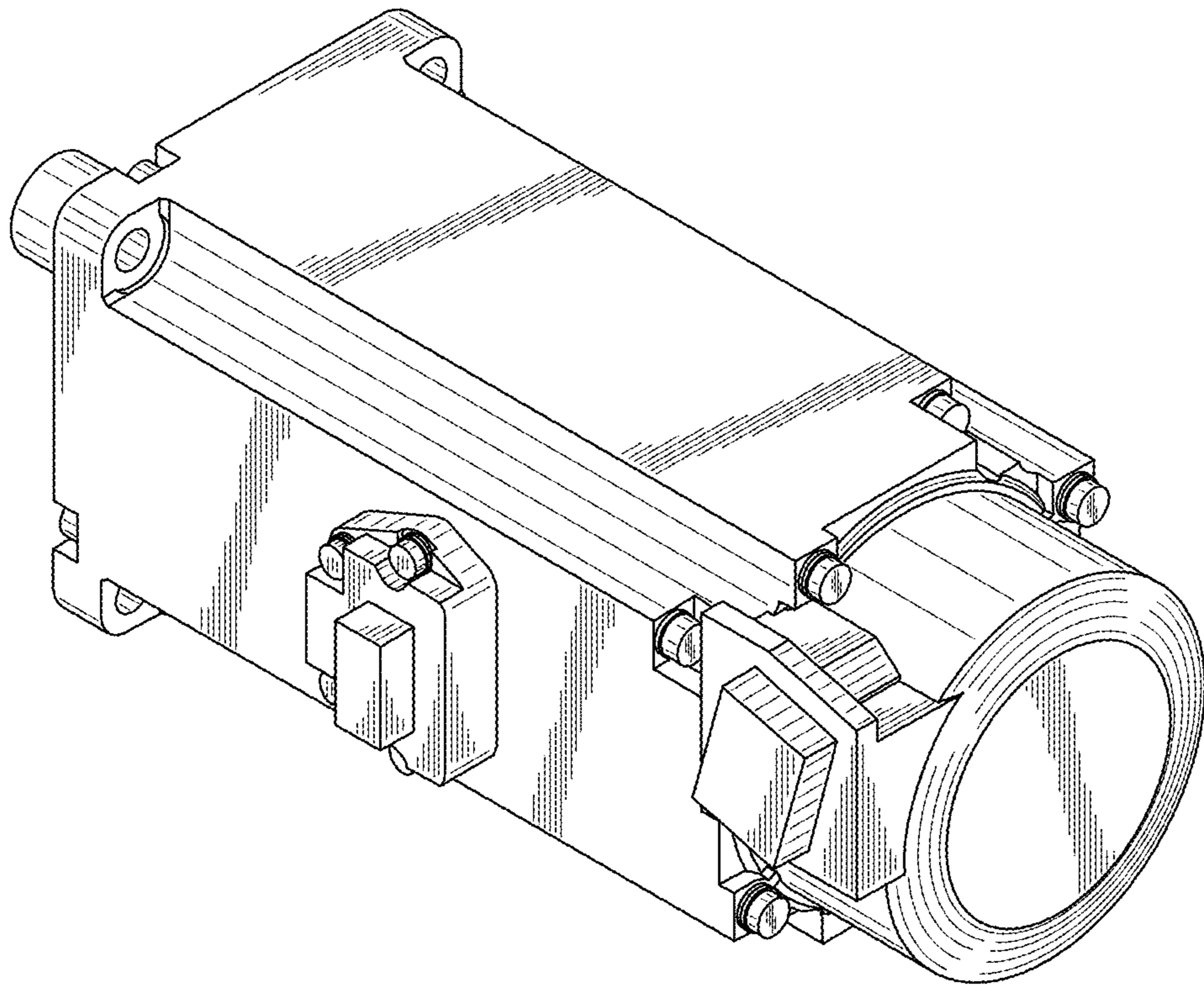
(56) **References Cited**

U.S. PATENT DOCUMENTS

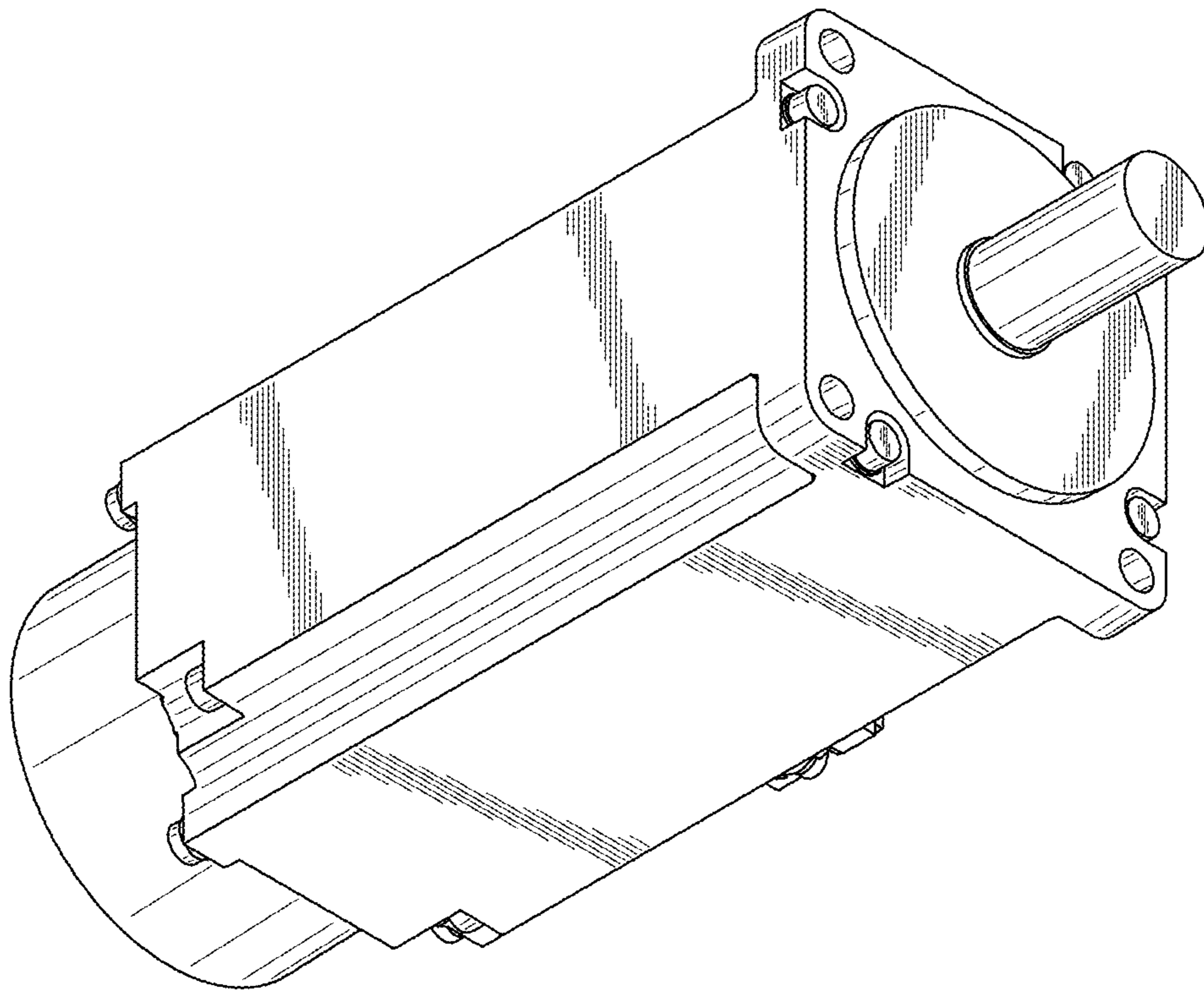
|           |      |        |                |                          |
|-----------|------|--------|----------------|--------------------------|
| 6,204,582 | B1 * | 3/2001 | Keller .....   | H02K 5/00<br>310/71      |
| 6,276,664 | B1 * | 8/2001 | Keller .....   | F02D 11/10<br>251/129.12 |
| D573,091  | S *  | 7/2008 | Shih .....     | D13/112                  |
| D586,373  | S *  | 2/2009 | Schueren ..... | D15/148                  |
| D688,627  | S *  | 8/2013 | Veeh .....     | D13/112                  |
| D706,304  | S *  | 6/2014 | Katada .....   | D13/112                  |

\* cited by examiner

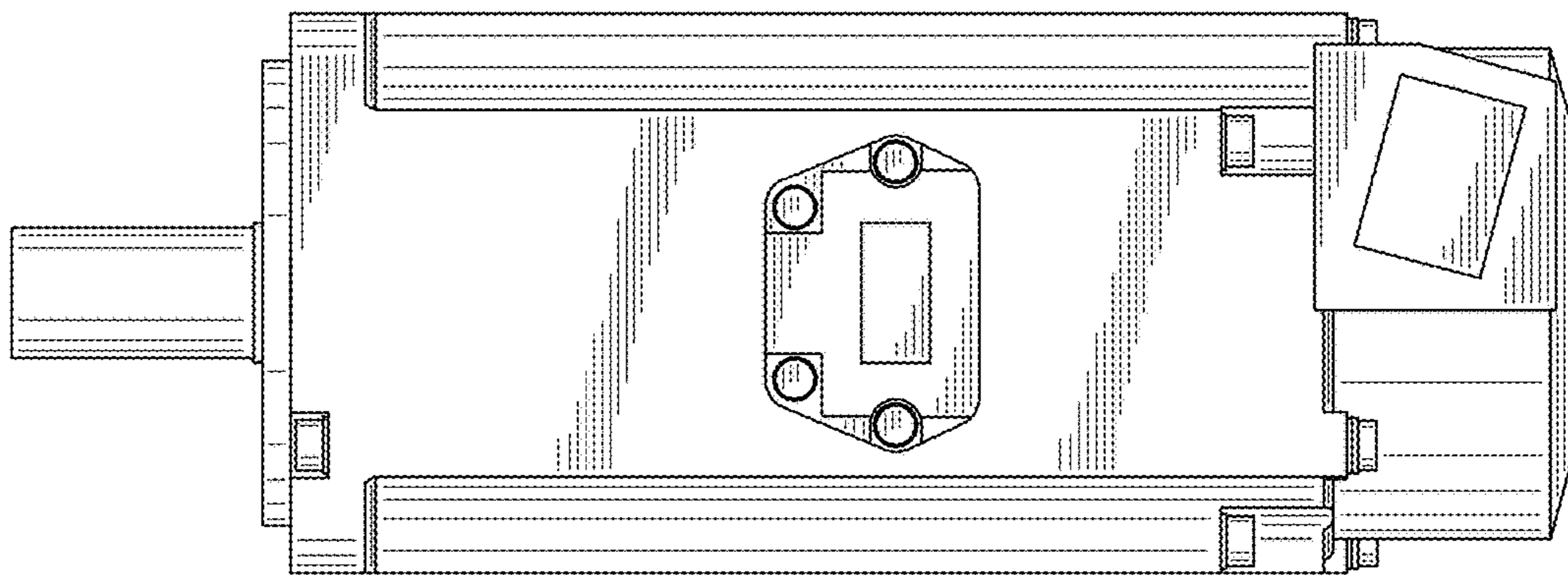
*FIG. 1*



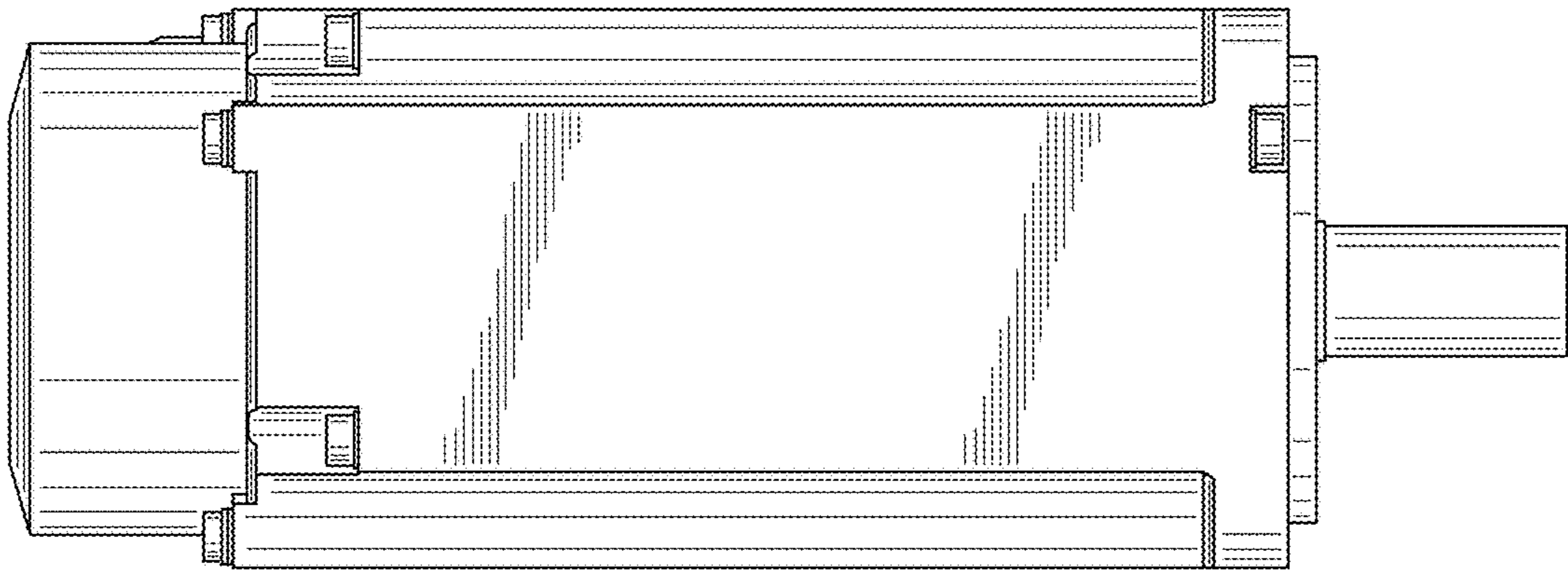
**FIG. 2**



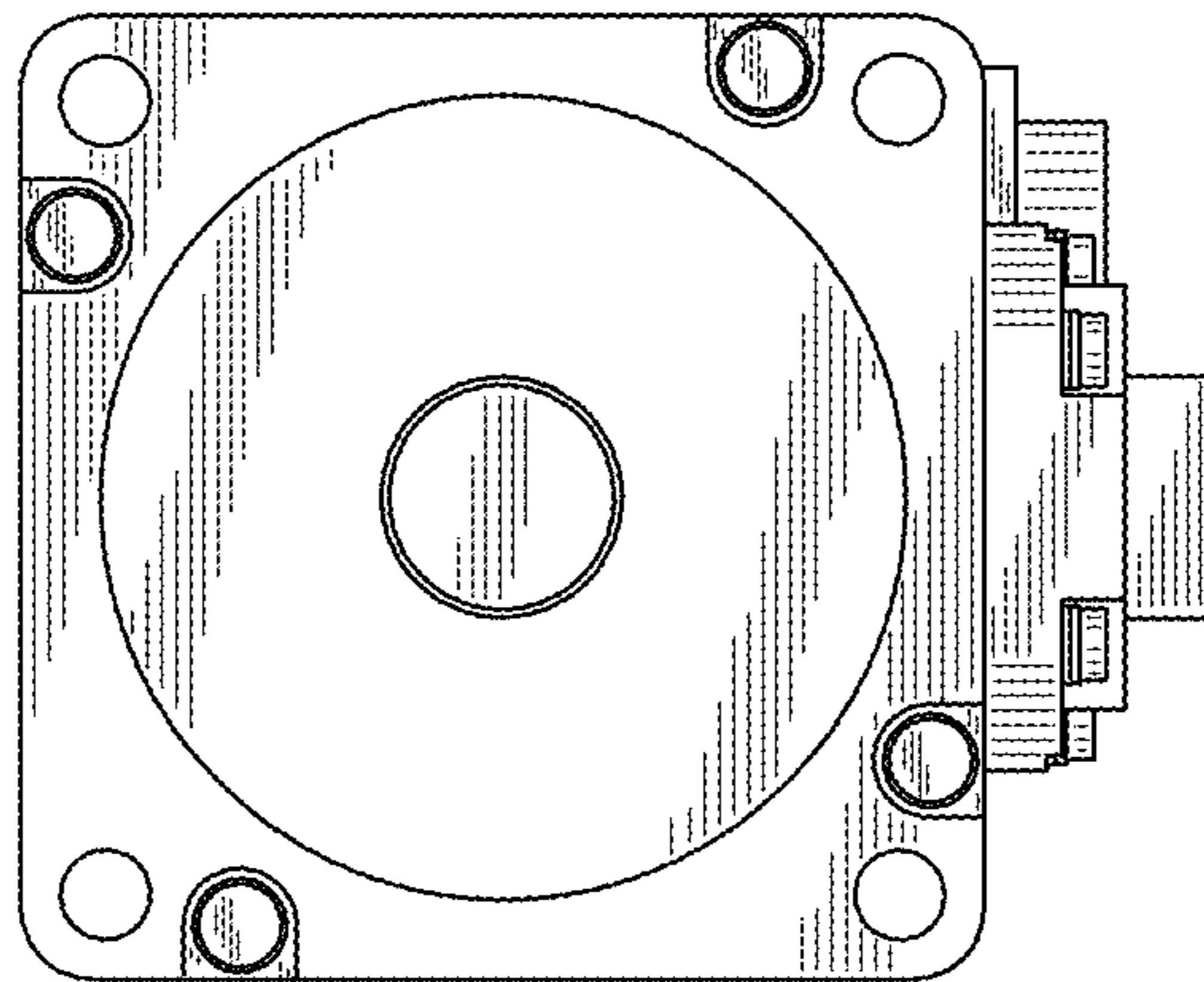
**FIG. 3**



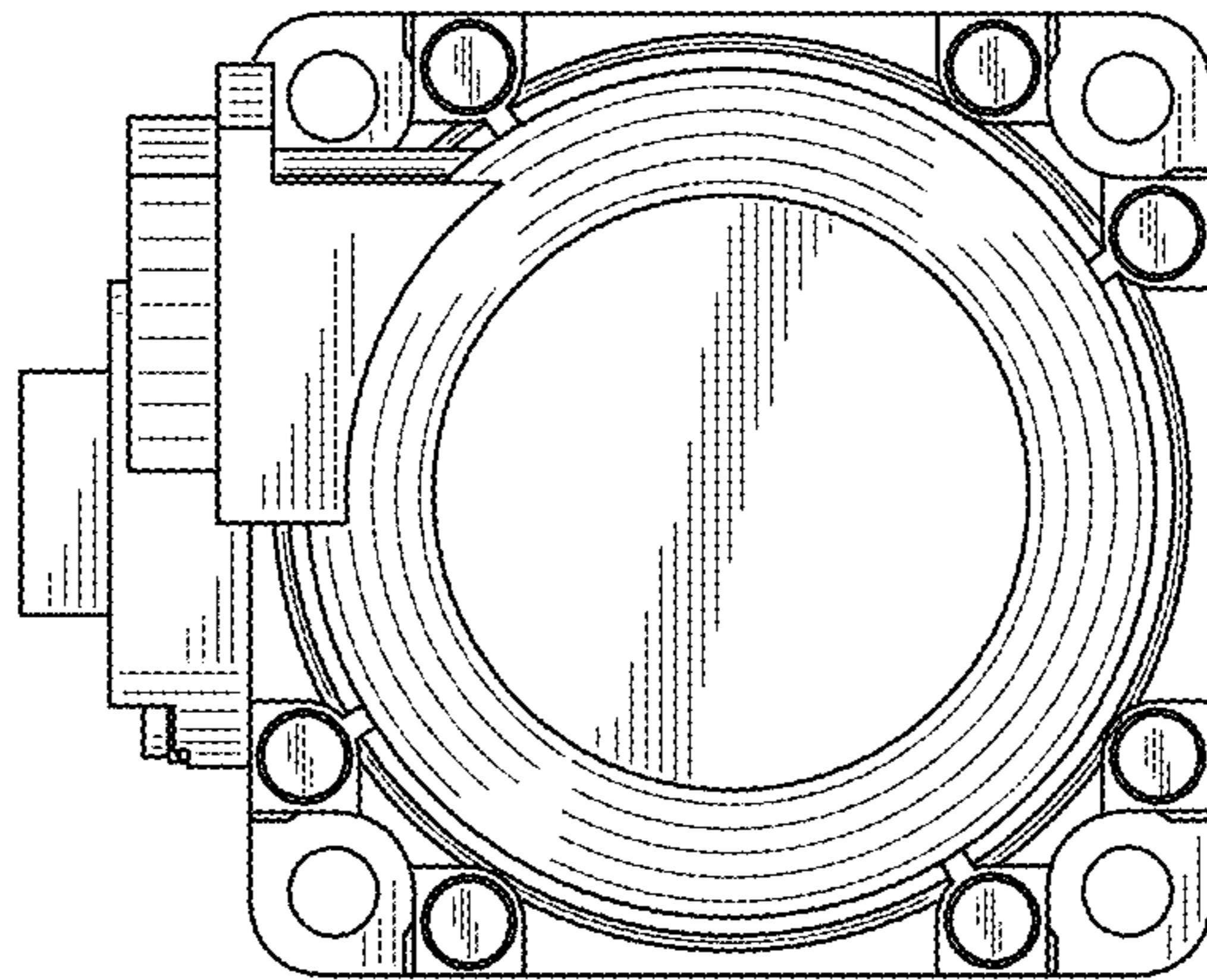
**FIG. 4**



*FIG. 5*

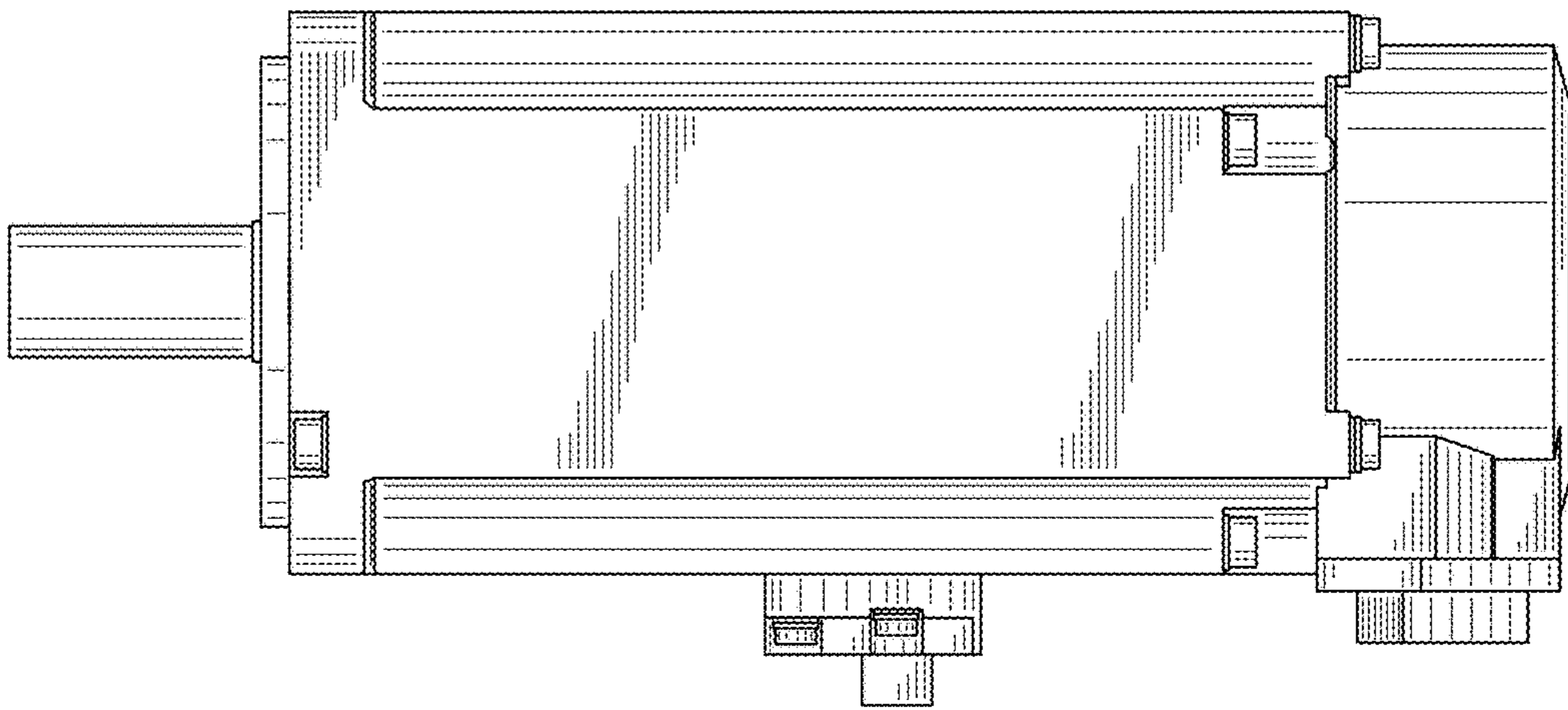


***FIG. 6***

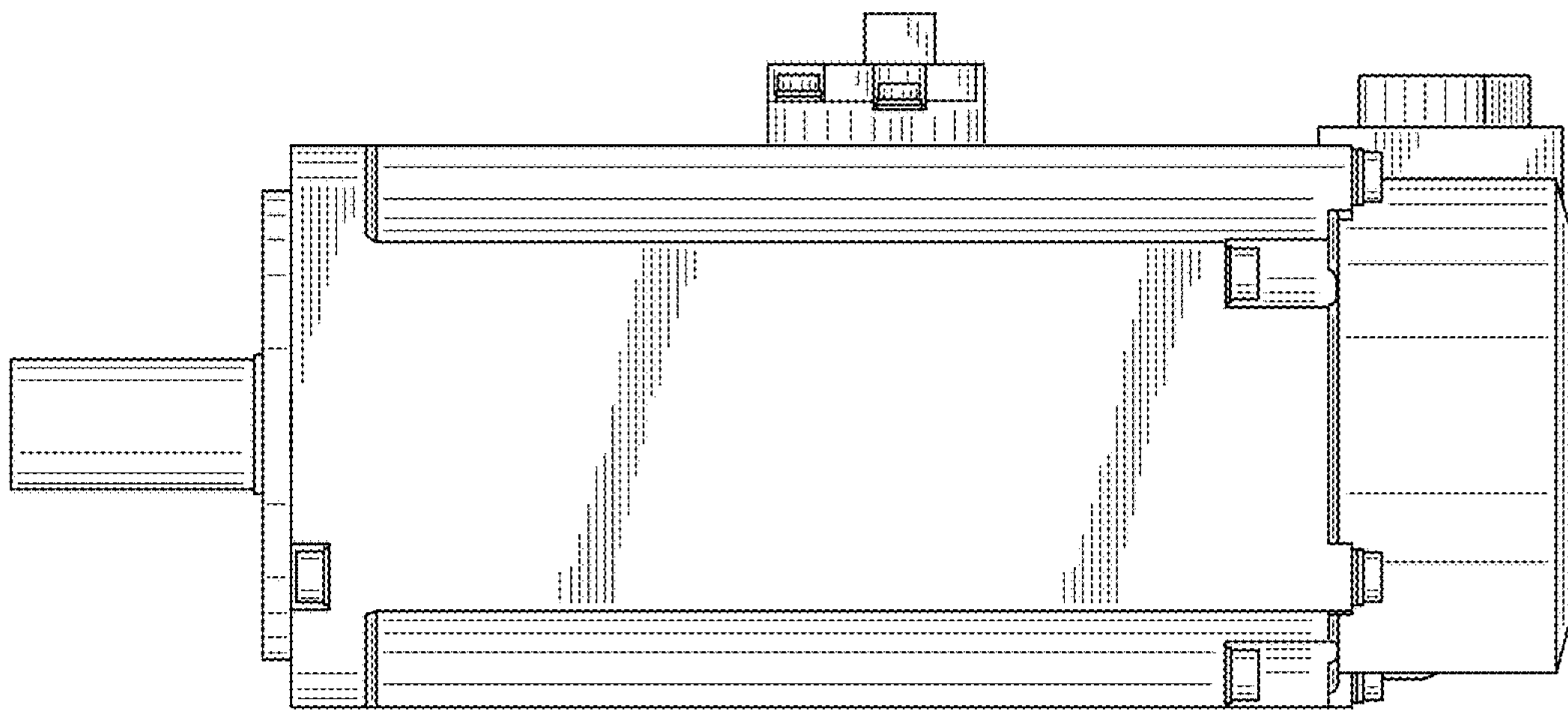




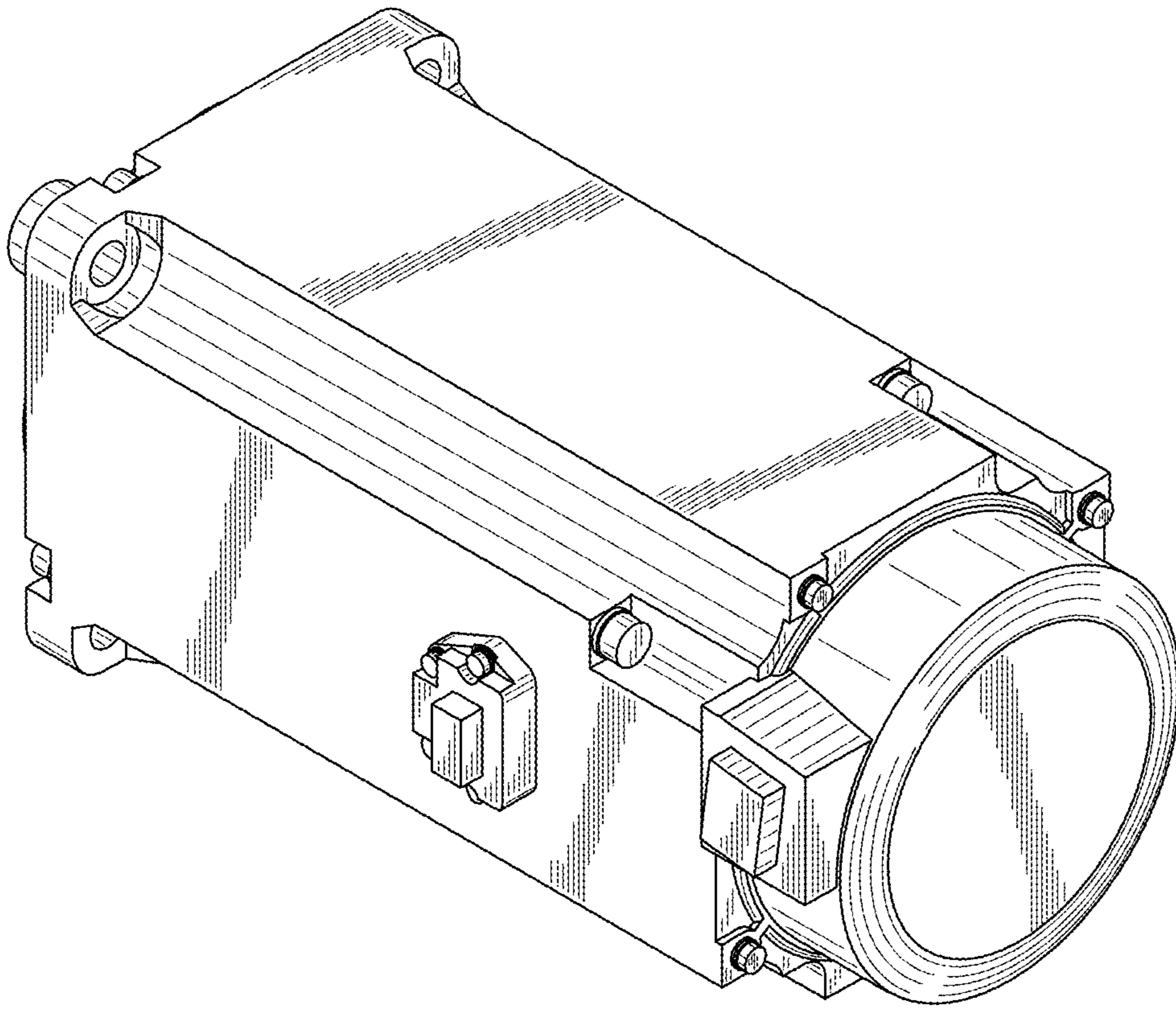
*FIG. 7*



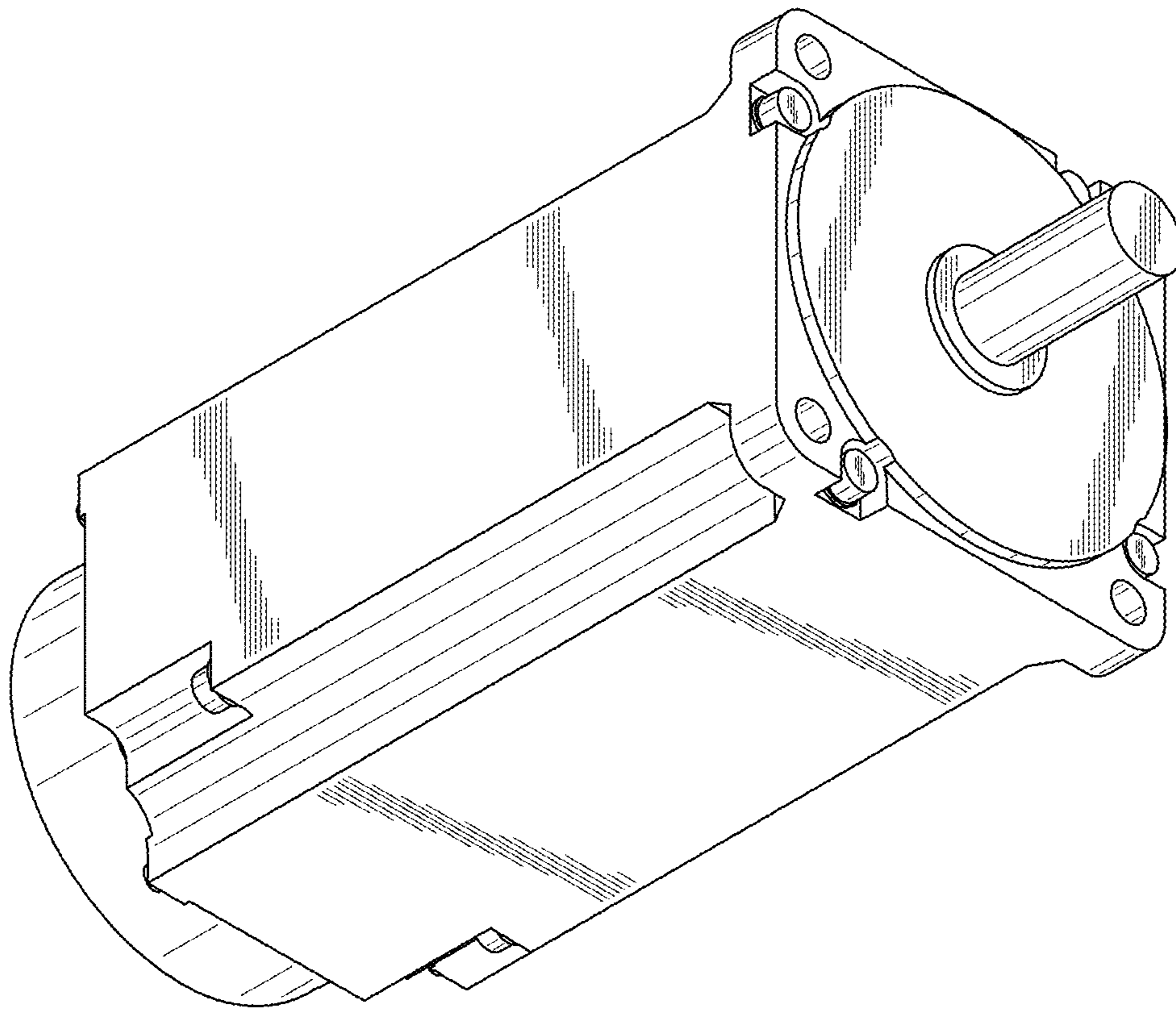
*FIG. 8*



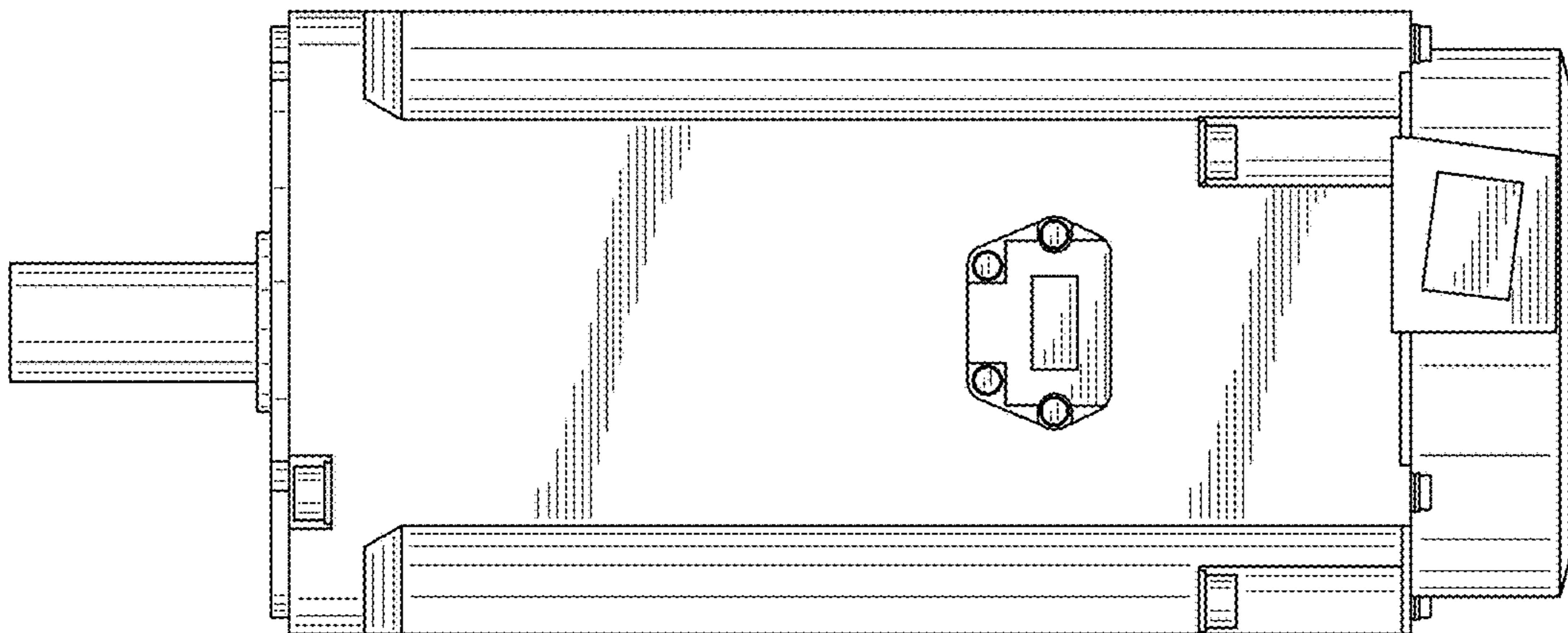
**FIG. 9**



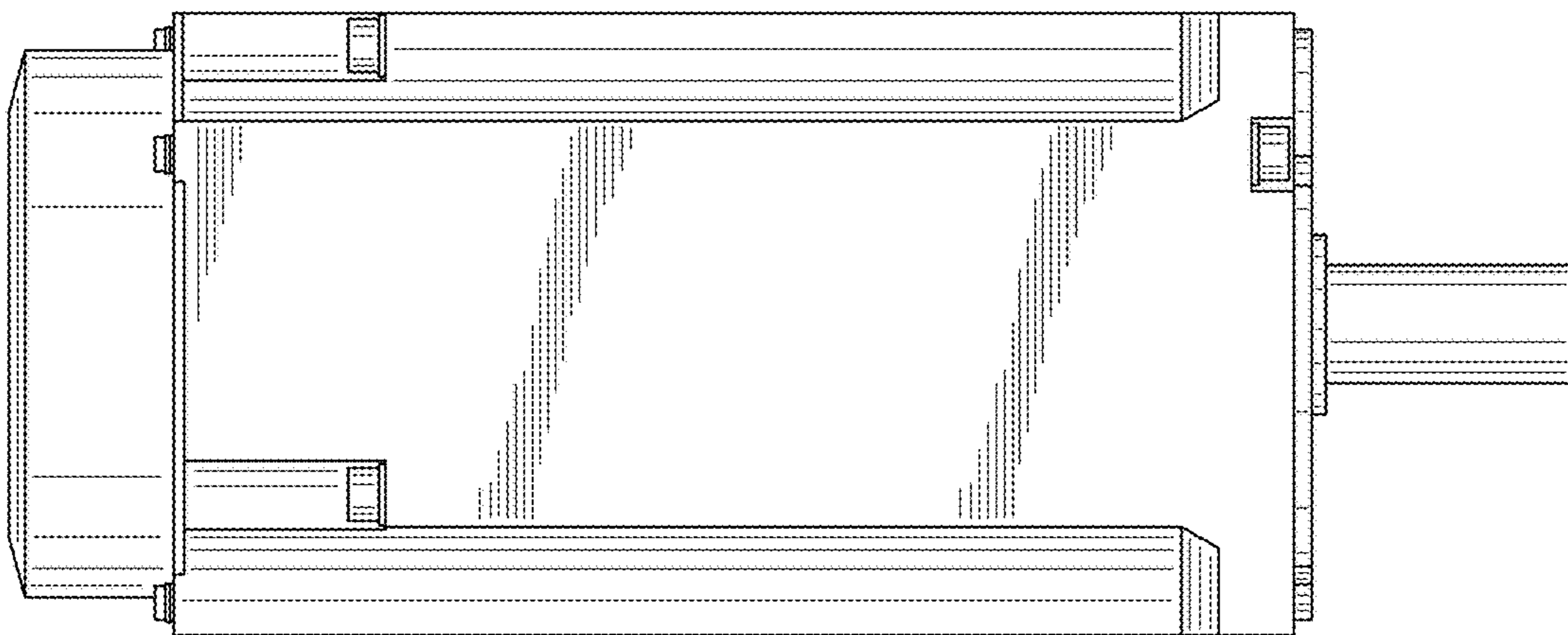
**FIG. 10**



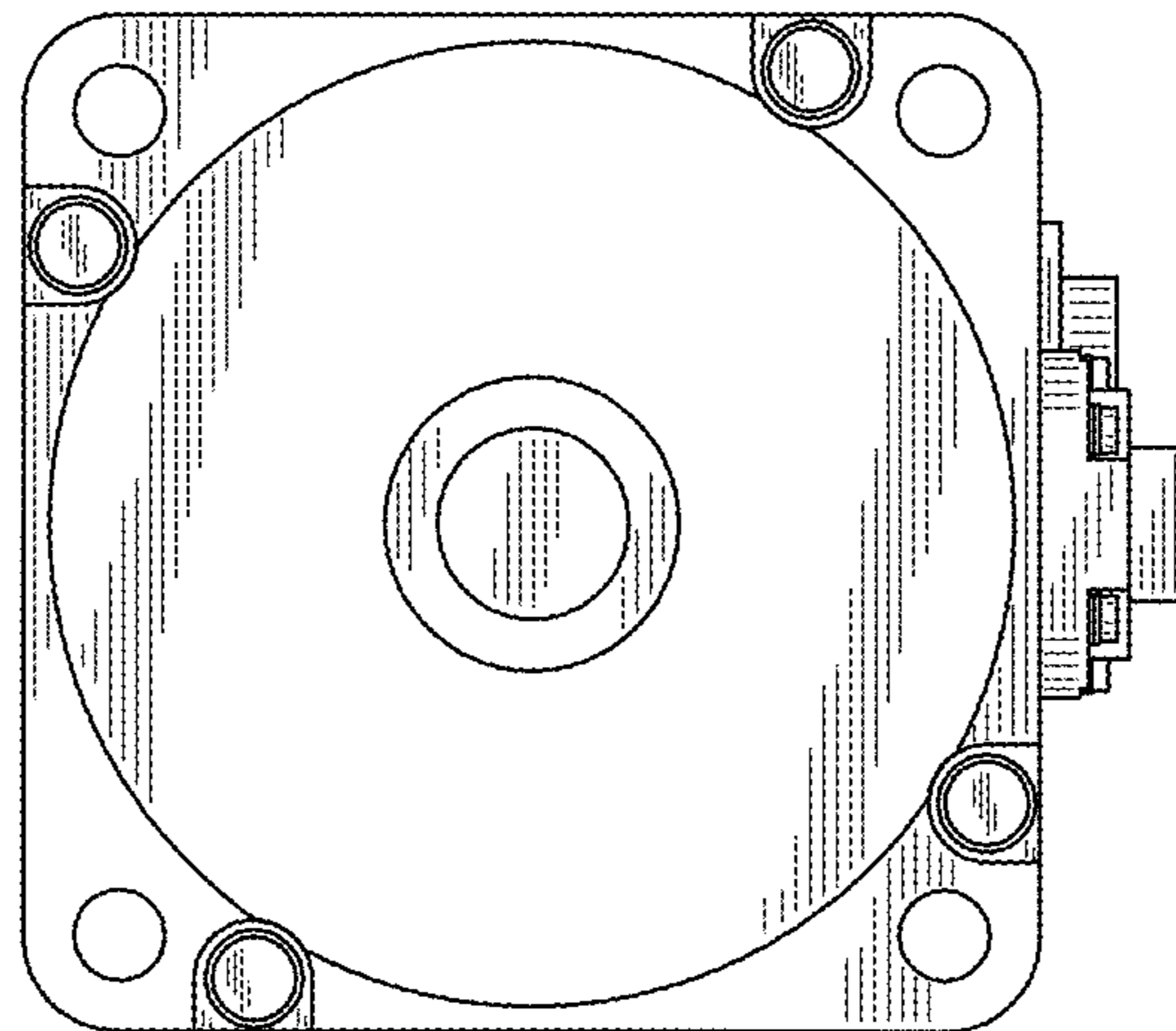
*FIG. 11*



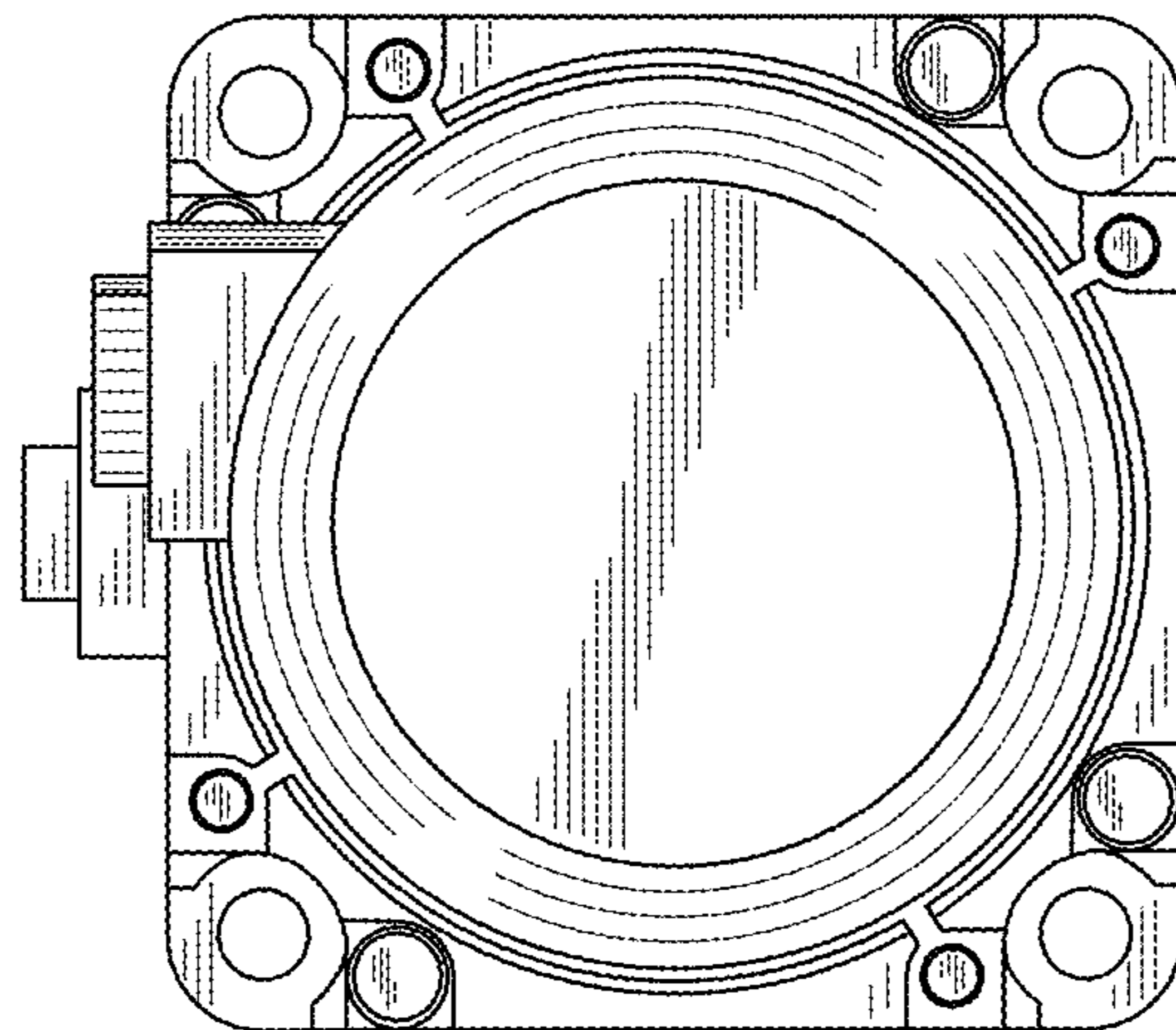
*FIG. 12*



***FIG. 13***

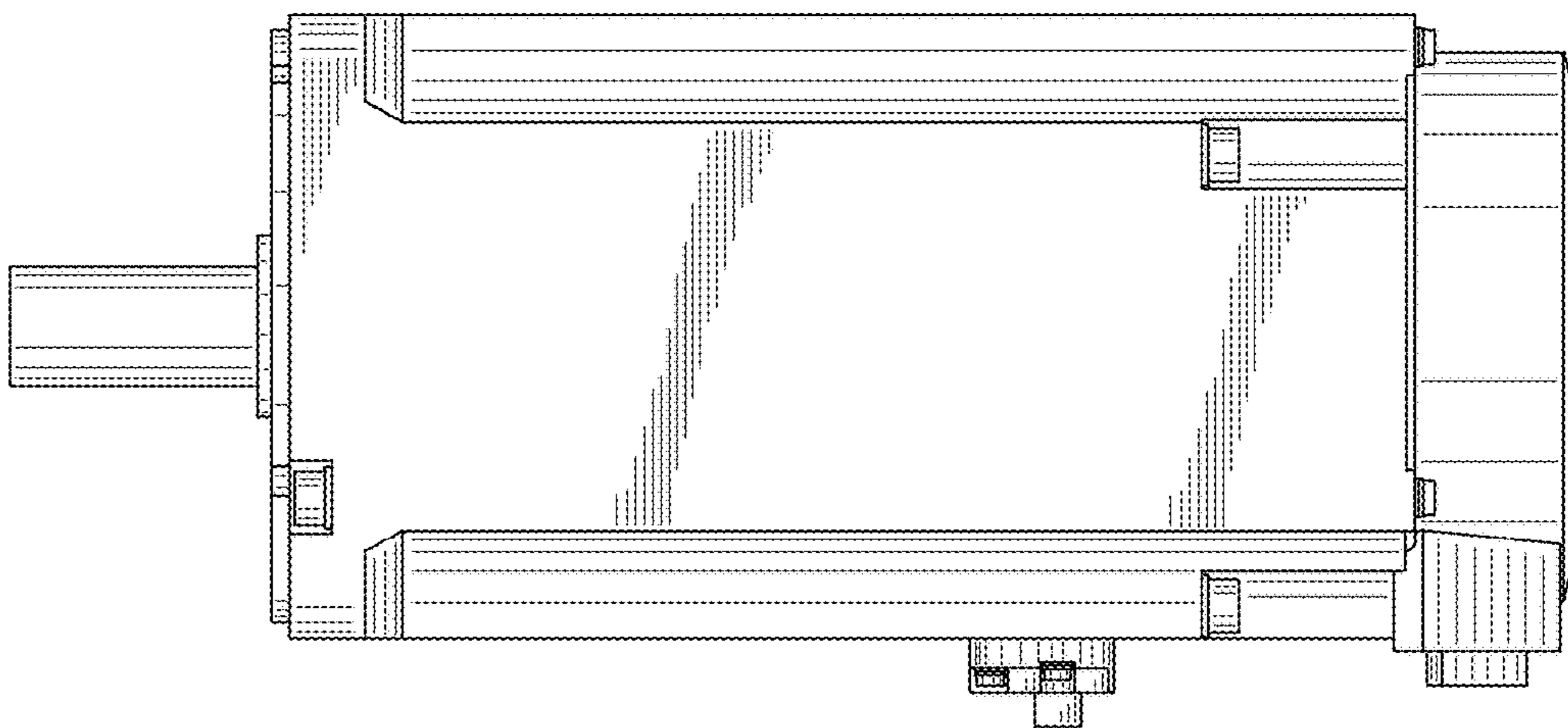


***FIG. 14***

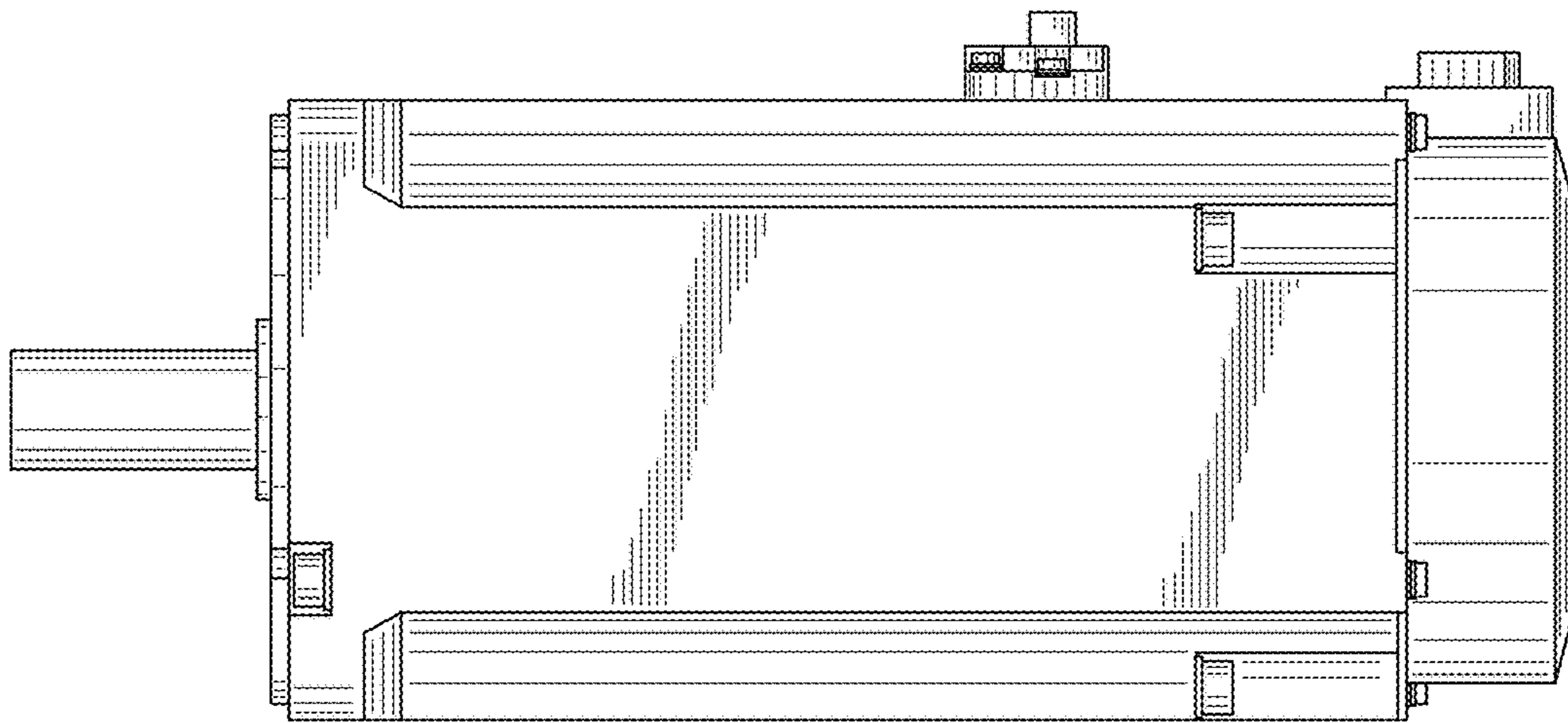




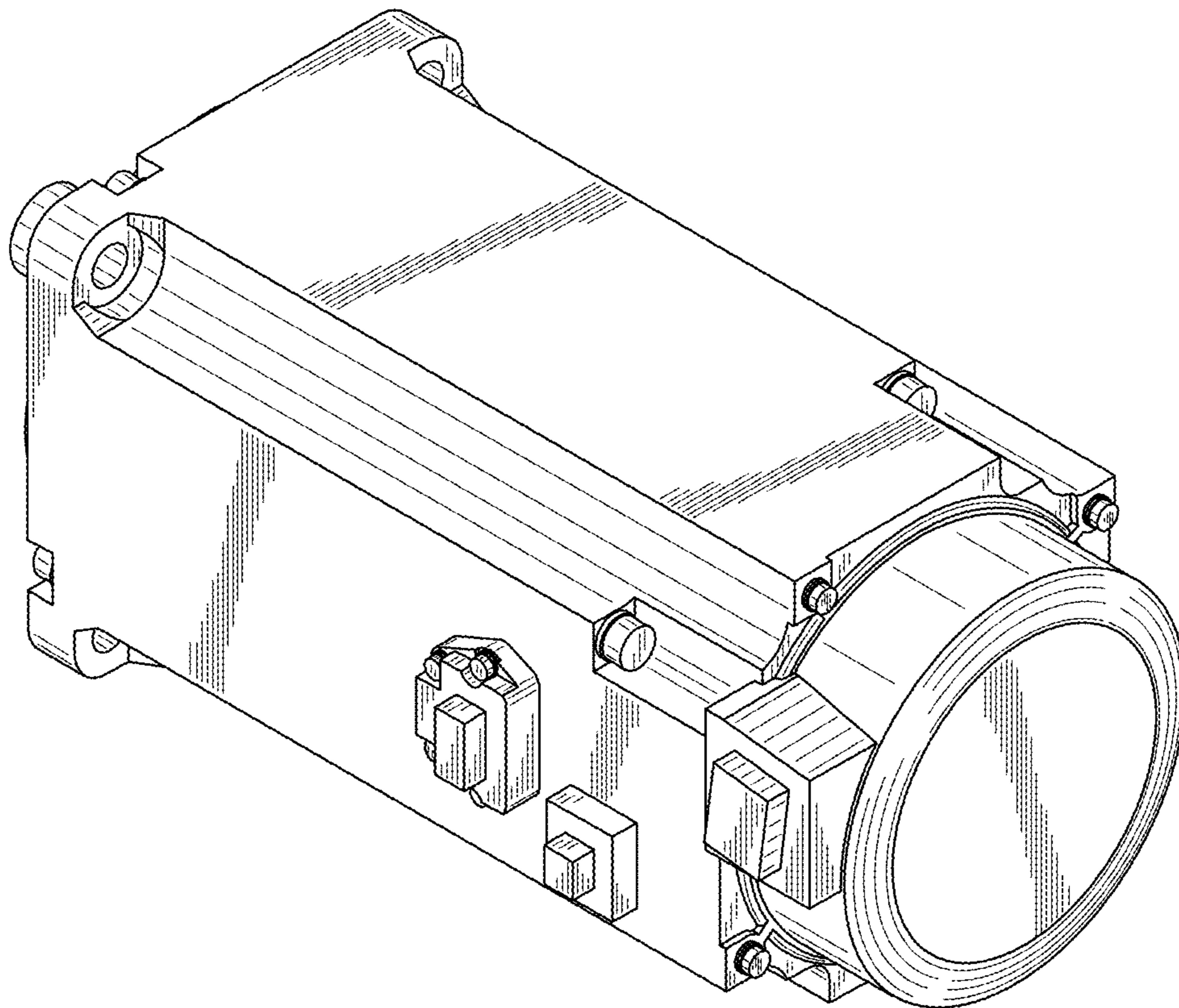
*FIG. 15*



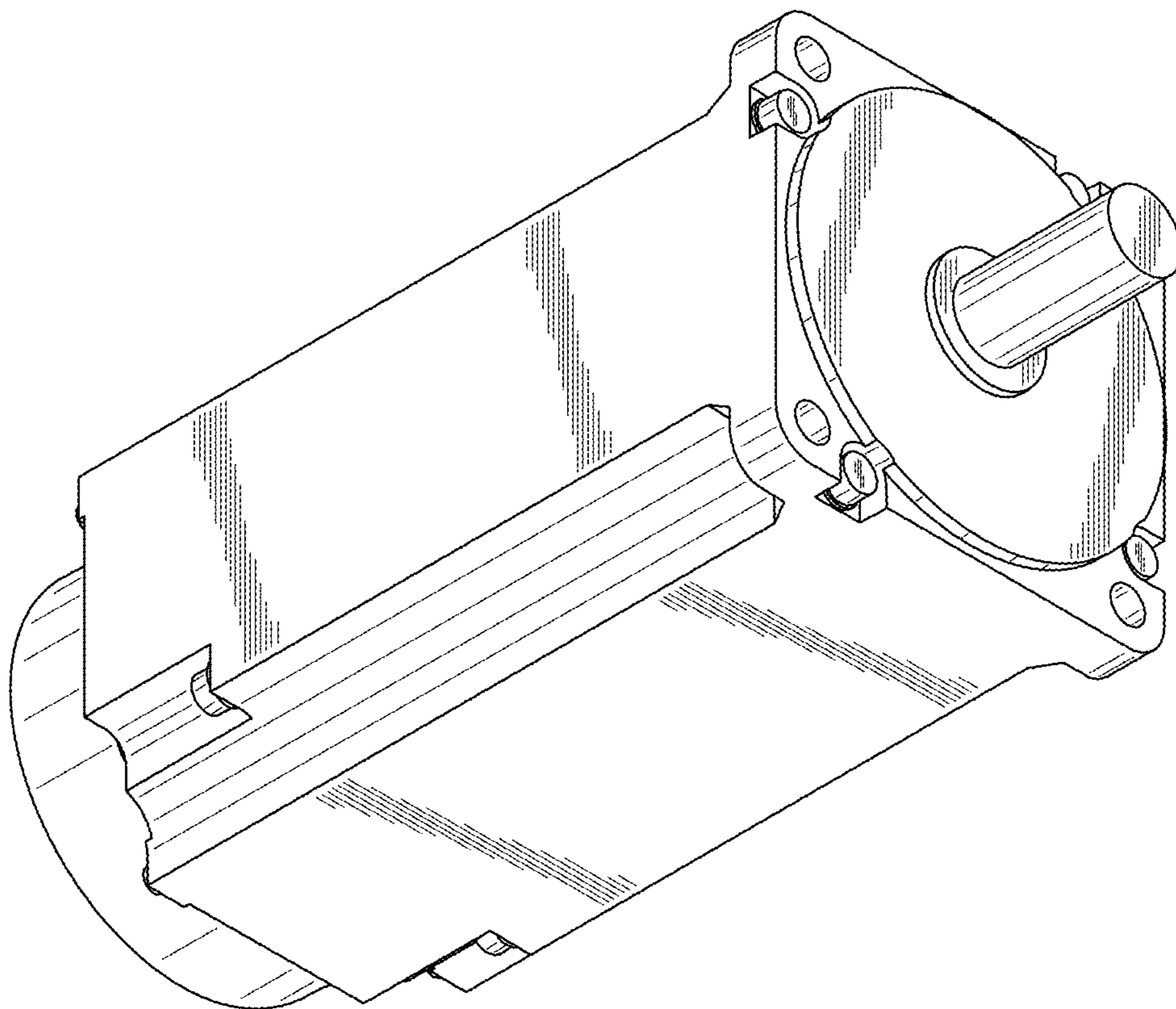
*FIG. 16*



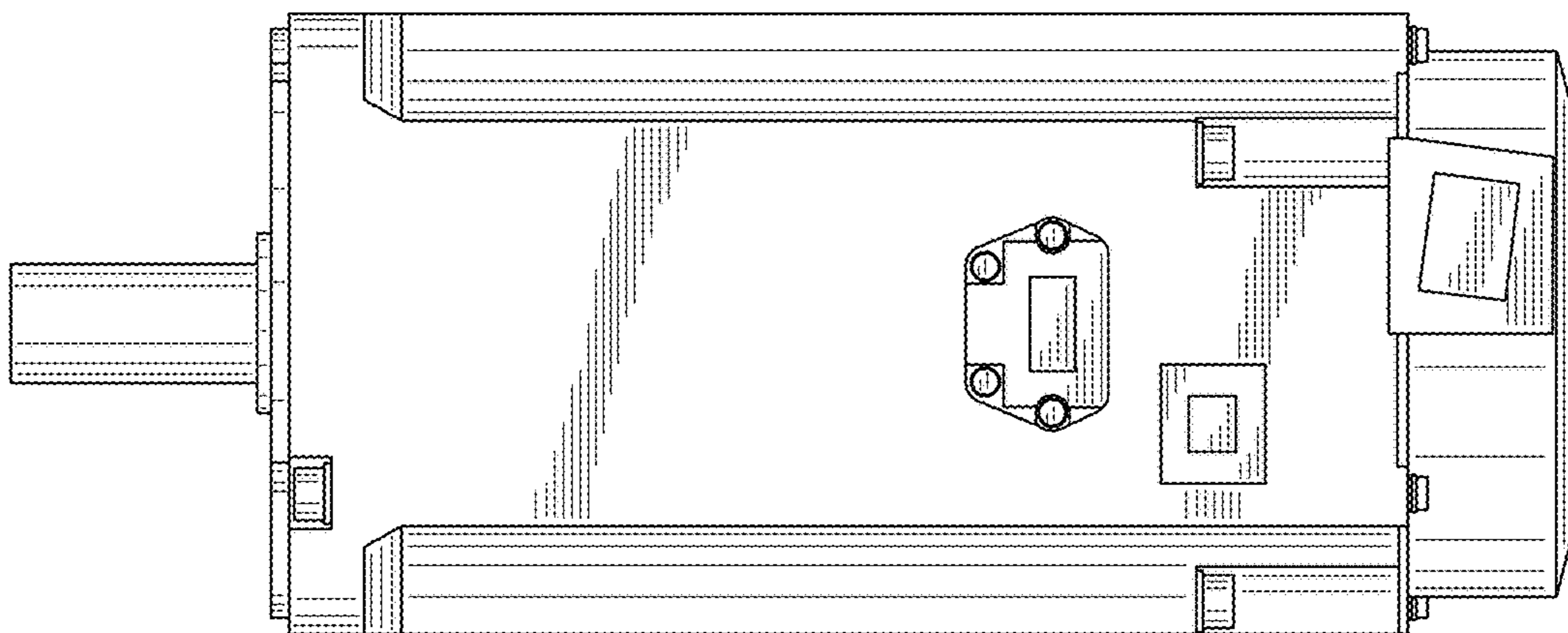
**FIG. 17**



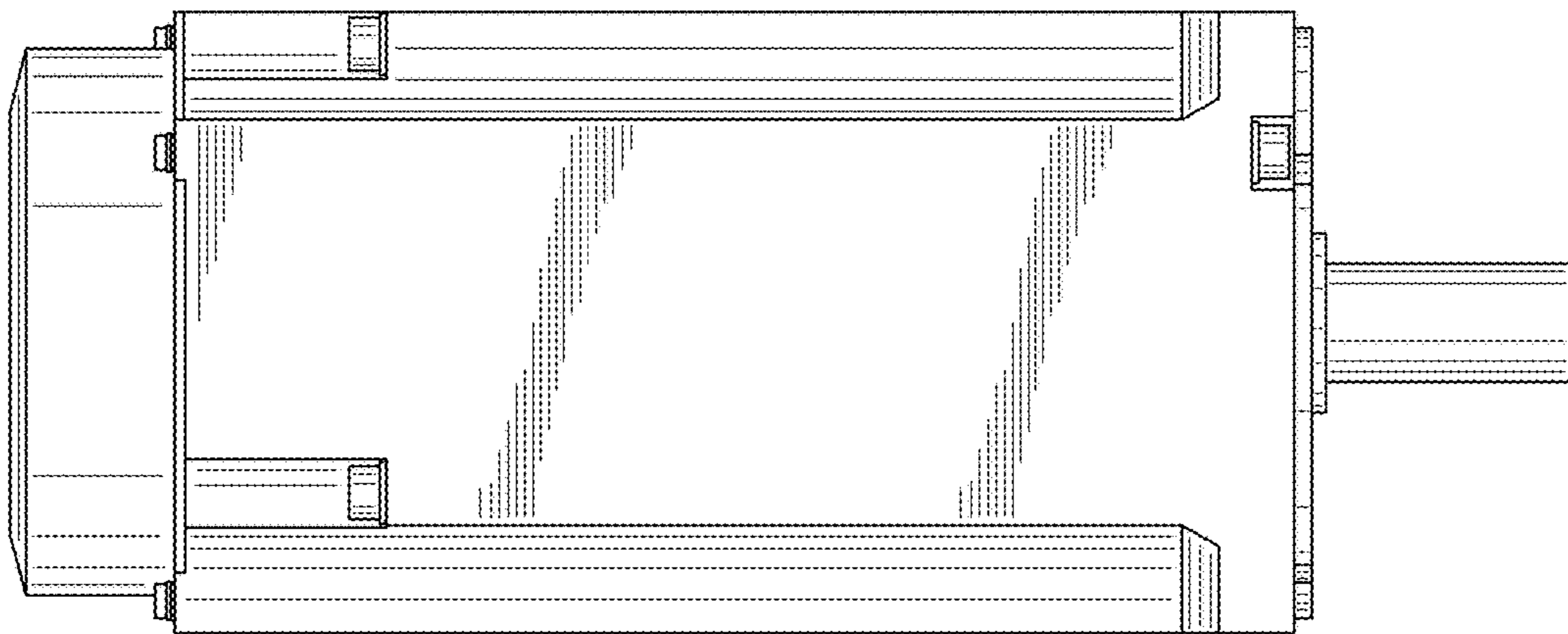
**FIG. 18**



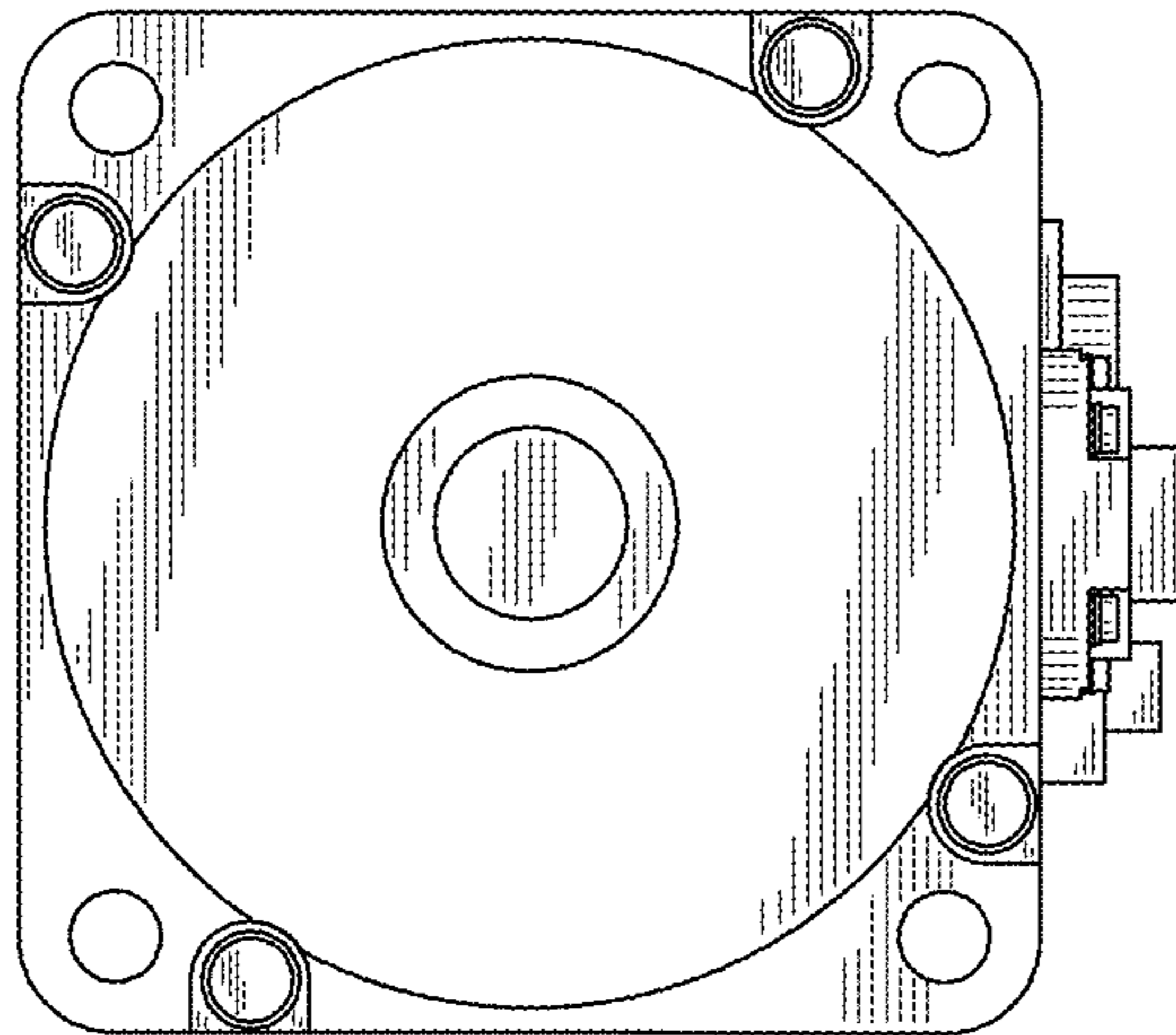
*FIG. 19*



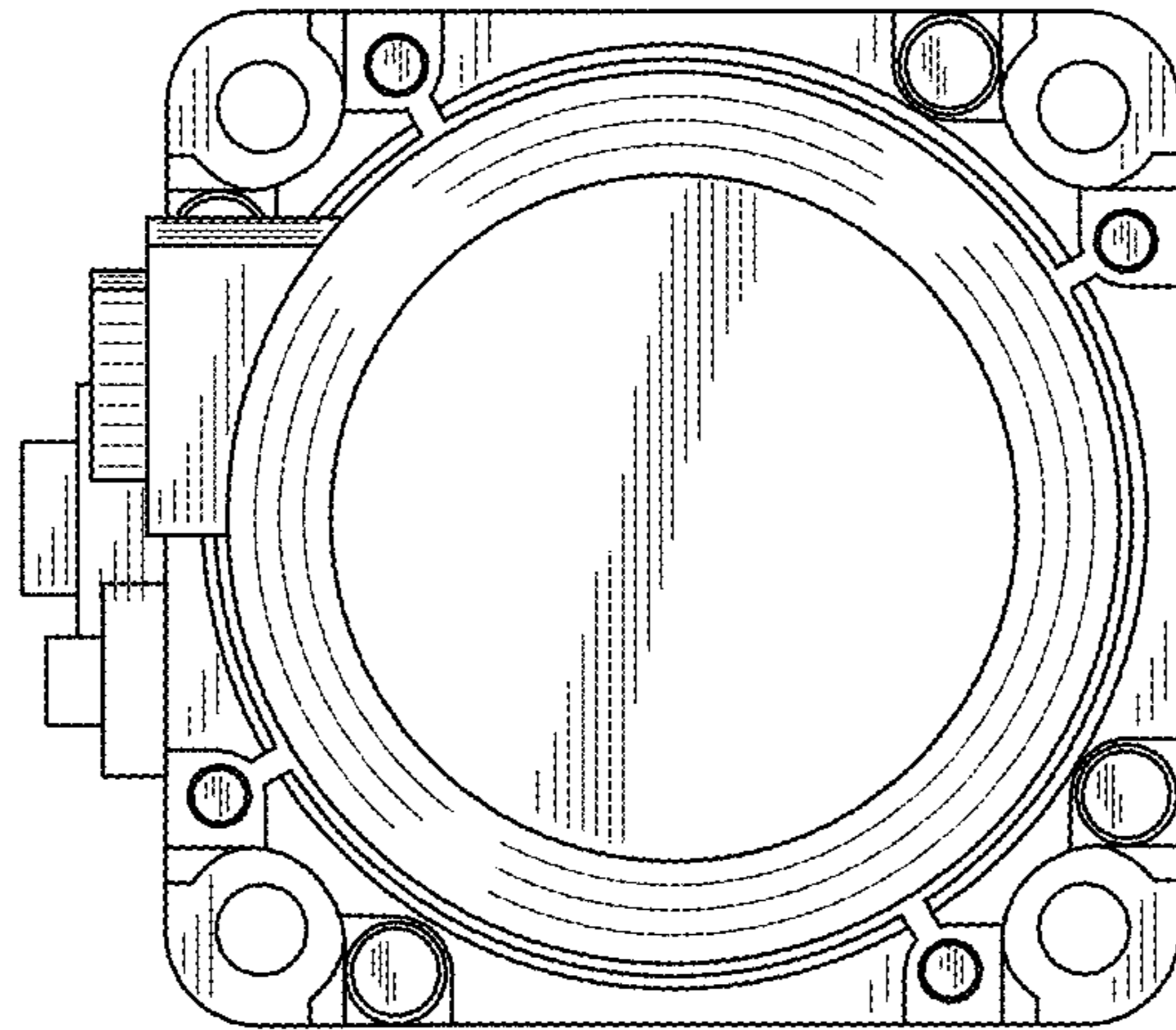
*FIG. 20*



***FIG. 21***

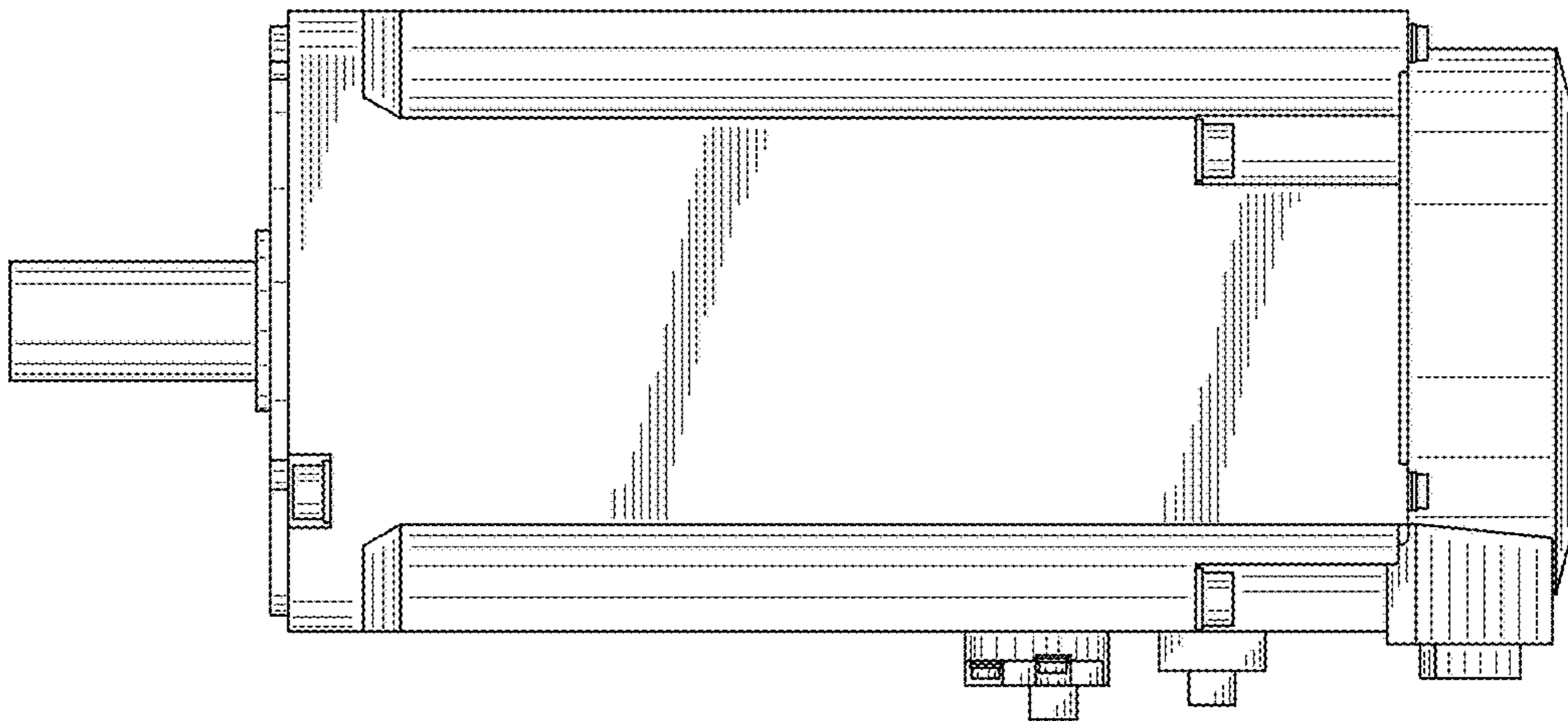


***FIG. 22***





**FIG. 23**



*FIG. 24*

