



US00D817275S

(12) **United States Design Patent**
Yeh et al.

(10) **Patent No.:** **US D817,275 S**
(45) **Date of Patent:** **** May 8, 2018**

(54) **INVERTER**

(71) Applicant: **Delta Electronics, Inc.**, Taoyuan (TW)

(72) Inventors: **Chia-Hao Yeh**, Taoyuan (TW);
Xin-Hung Lin, Taoyuan (TW)

(73) Assignee: **DELTA ELECTRONICS, INC.**,
Taoyuan (TW)

(**) Term: **15 Years**

(21) Appl. No.: **29/609,033**

(22) Filed: **Jun. 27, 2017**

(30) **Foreign Application Priority Data**

May 23, 2017 (TW) 106302761

(51) **LOC (11) Cl.** **13-03**

(52) **U.S. Cl.**
USPC **D13/110**

(58) **Field of Classification Search**

USPC D13/108, 110, 118, 123, 180, 182, 184,
D13/199; D14/299, 433
CPC . H02M 2001/0009; H02M 2001/0083; H02M
2001/009; H02M 1/10; H02M 3/02;
H02M 3/24; H02M 3/34; H02M 5/00;
H02M 5/02; H02M 5/40; H02M 5/42;
H02M 7/003; H02M 7/02; H02M 7/04;
H02J 5/00; H05K 1/00; H05K 1/0213;
H05K 5/00; H05K 5/0004; H05K 5/0008;
H05K 5/0086; H05K 5/0247; H05K 5/03;
H05K 5/04

See application file for complete search history.

(56) **References Cited**

U.S. PATENT DOCUMENTS

D604,237 S	*	11/2009	Engel	D13/110
D604,238 S	*	11/2009	Engel	D13/110
D620,885 S	*	8/2010	Donth	D13/110
D709,449 S	*	7/2014	Oba	D13/110
D724,535 S	*	3/2015	Wang	D13/110
D798,809 S	*	10/2017	Benn	D13/110

* cited by examiner

Primary Examiner — Daniel Bui

(74) *Attorney, Agent, or Firm* — Chun-Ming Shih; HDLS
IPR Services

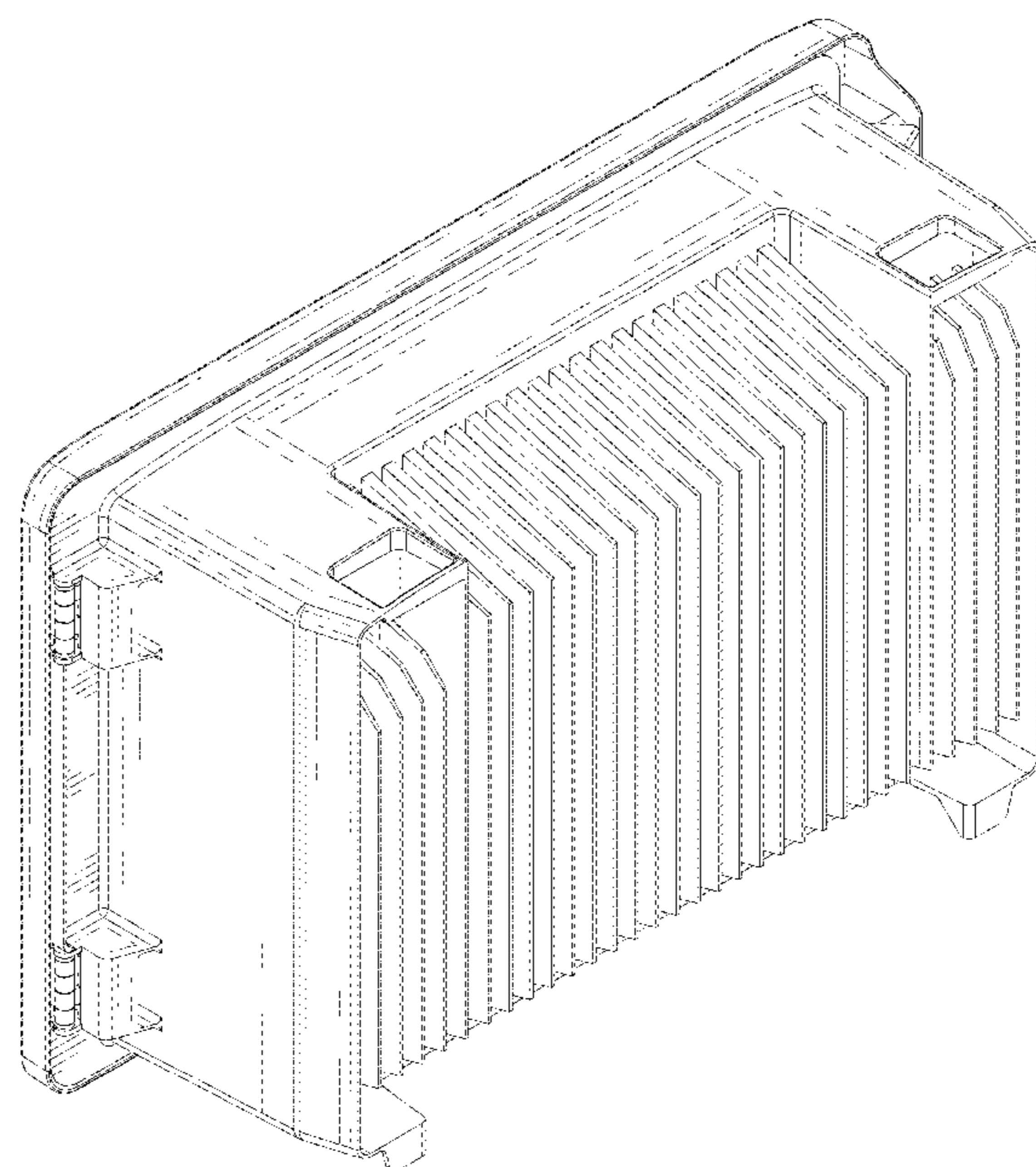
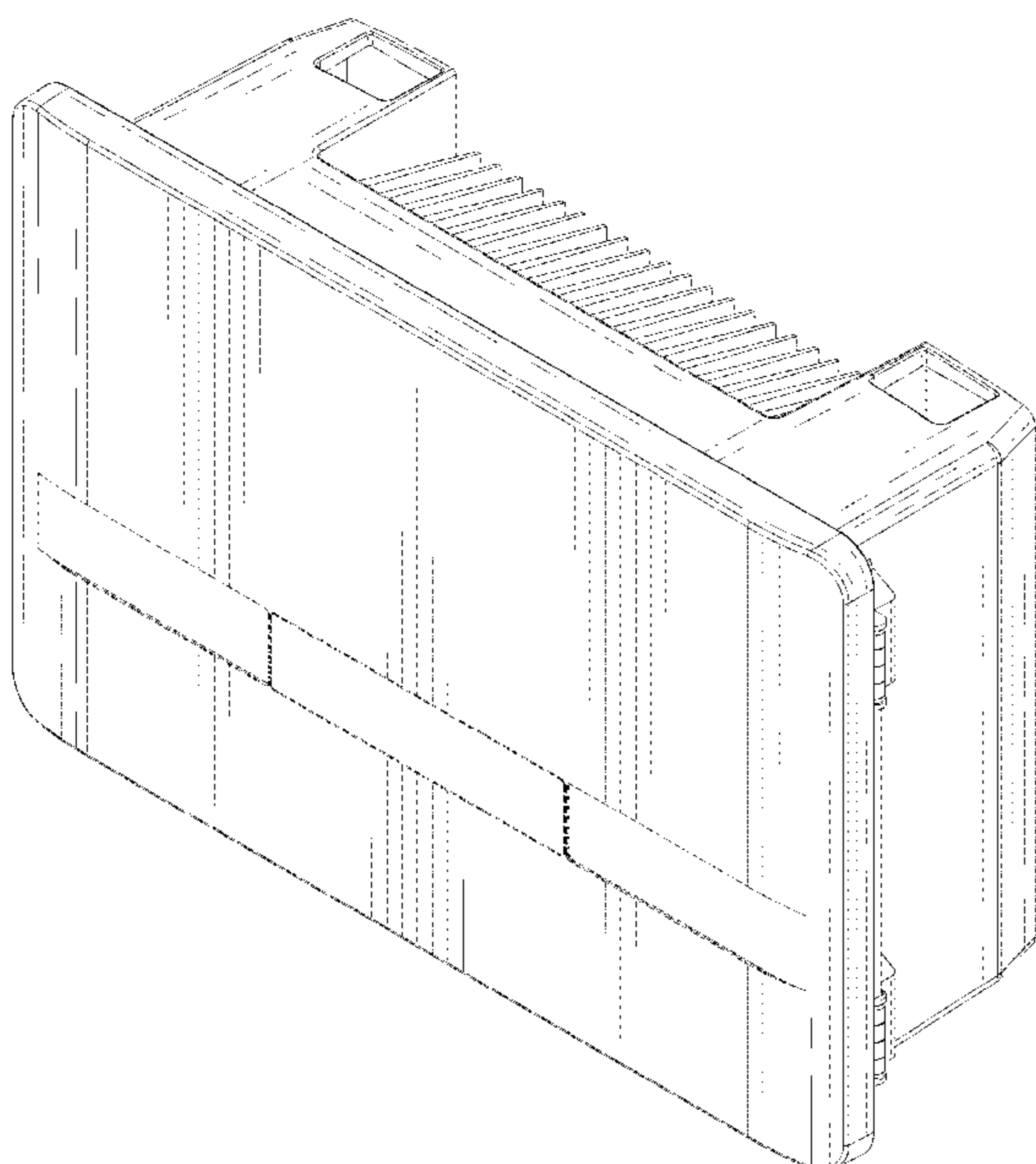
(57) **CLAIM**

The ornamental design for an inverter, as shown and described.

DESCRIPTION

FIG. 1 is a front, top and right side perspective view of an inverter showing our new design;
FIG. 2 is a front elevational view thereof;
FIG. 3 is a rear elevational view thereof;
FIG. 4 is a left side elevational view thereof;
FIG. 5 is a right side elevational view thereof;
FIG. 6 is a top plan view thereof;
FIG. 7 is a bottom plan view thereof;
FIG. 8 is a front, bottom and left side perspective view thereof; and,
FIG. 9 is arear, top and right side perspective view thereof. The broken lines shown represent unclaimed subject matter and form no part of the claimed design.

1 Claim, 9 Drawing Sheets



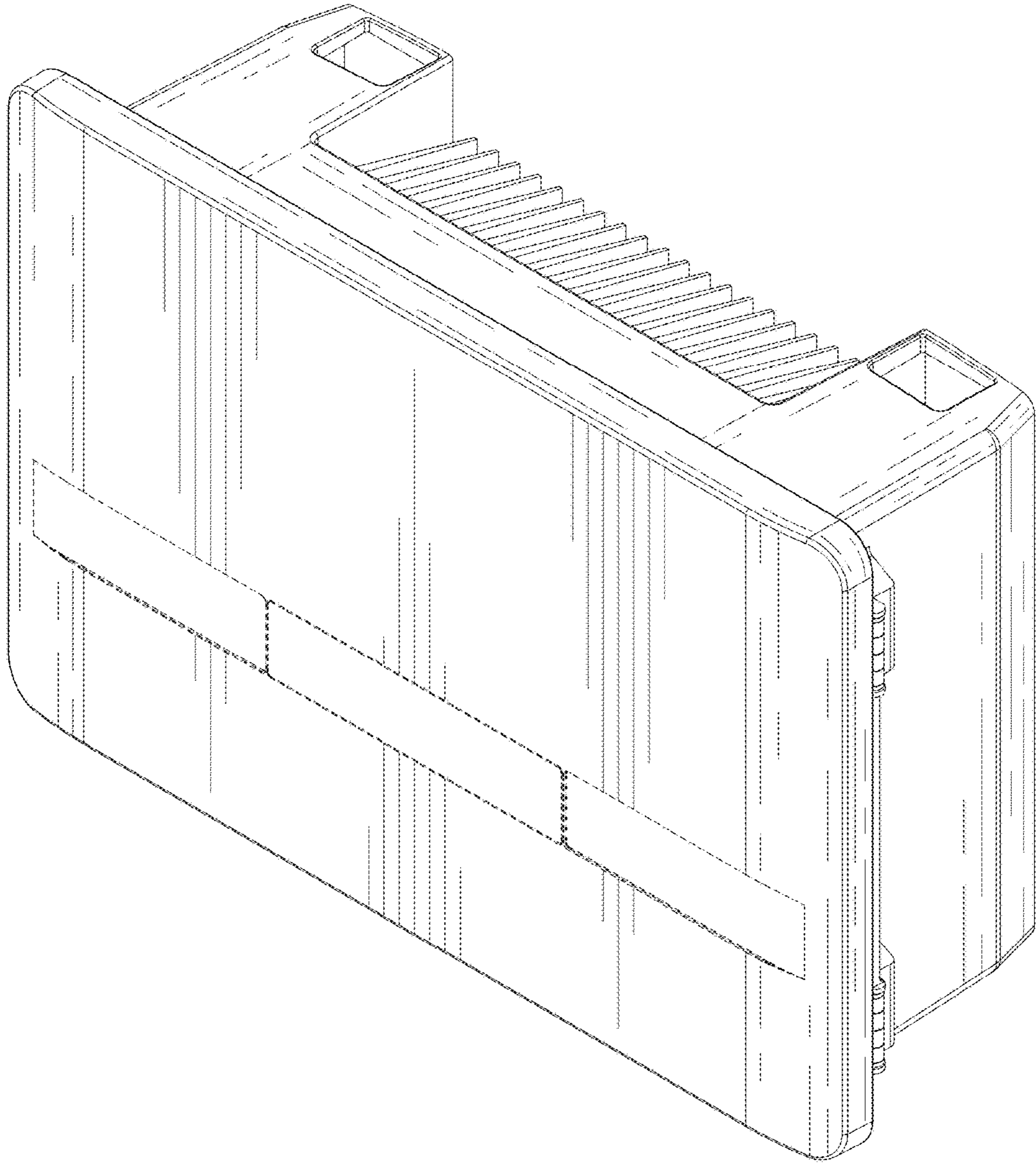


FIG. 1

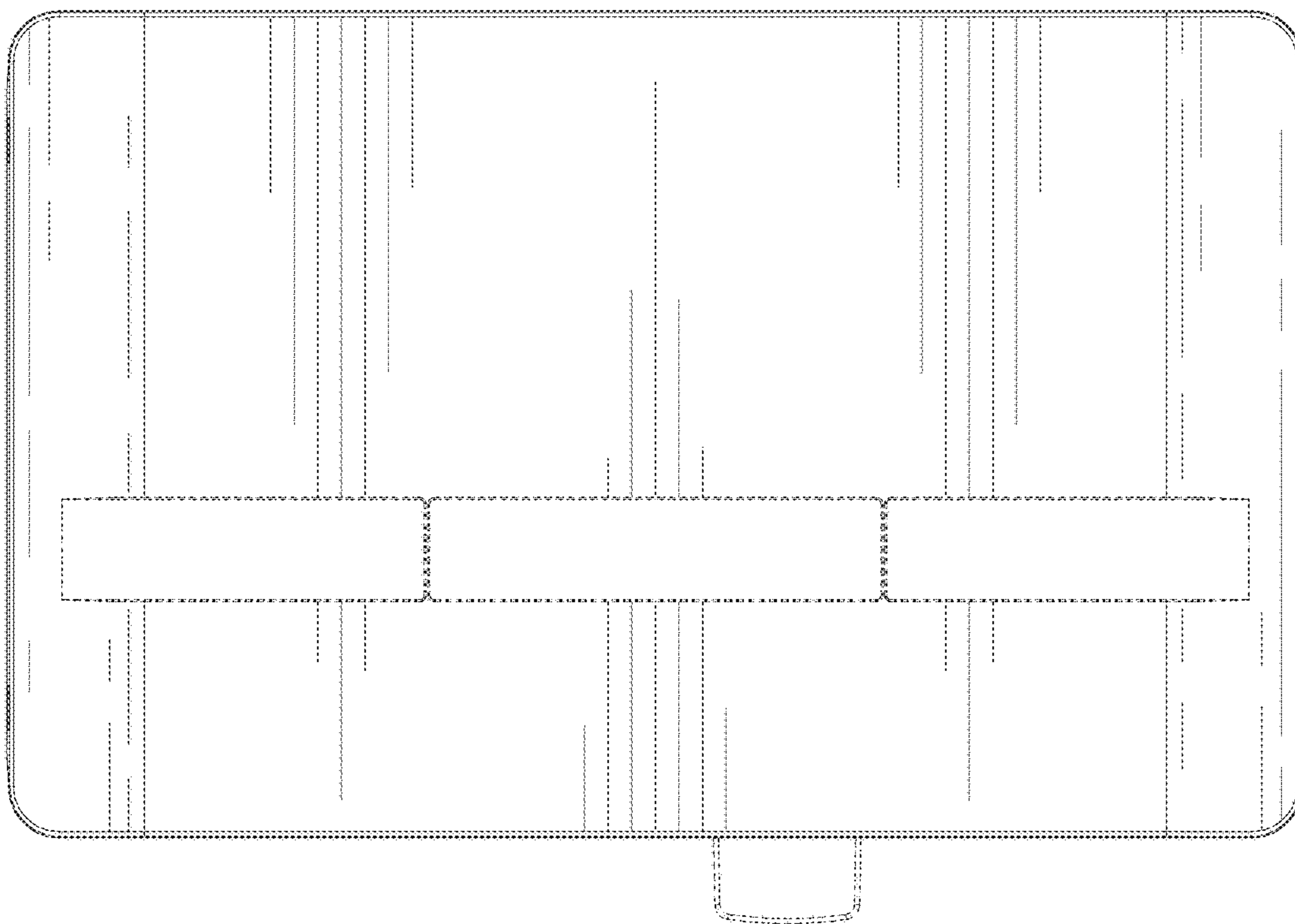


FIG.2

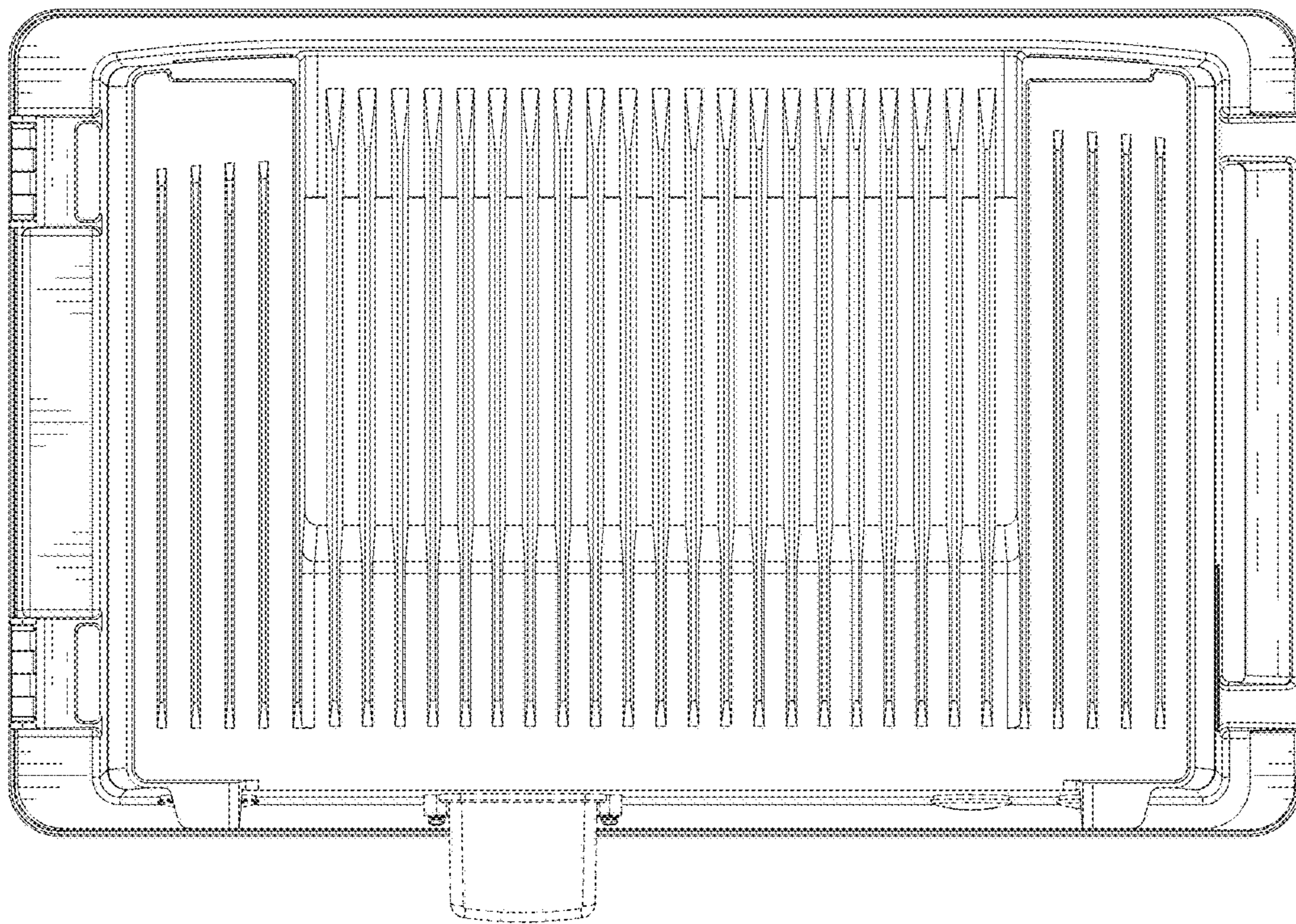


FIG.3

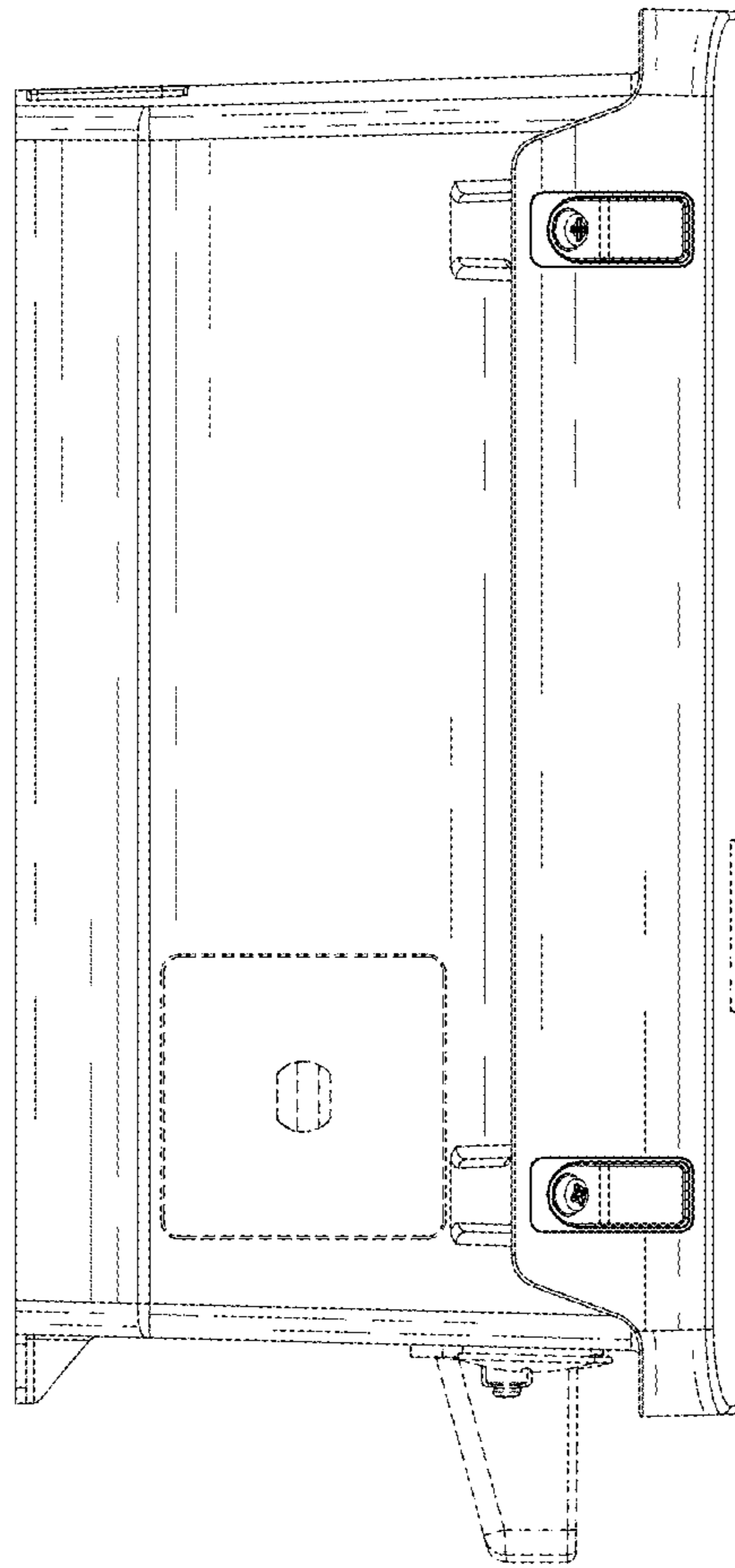


FIG.4

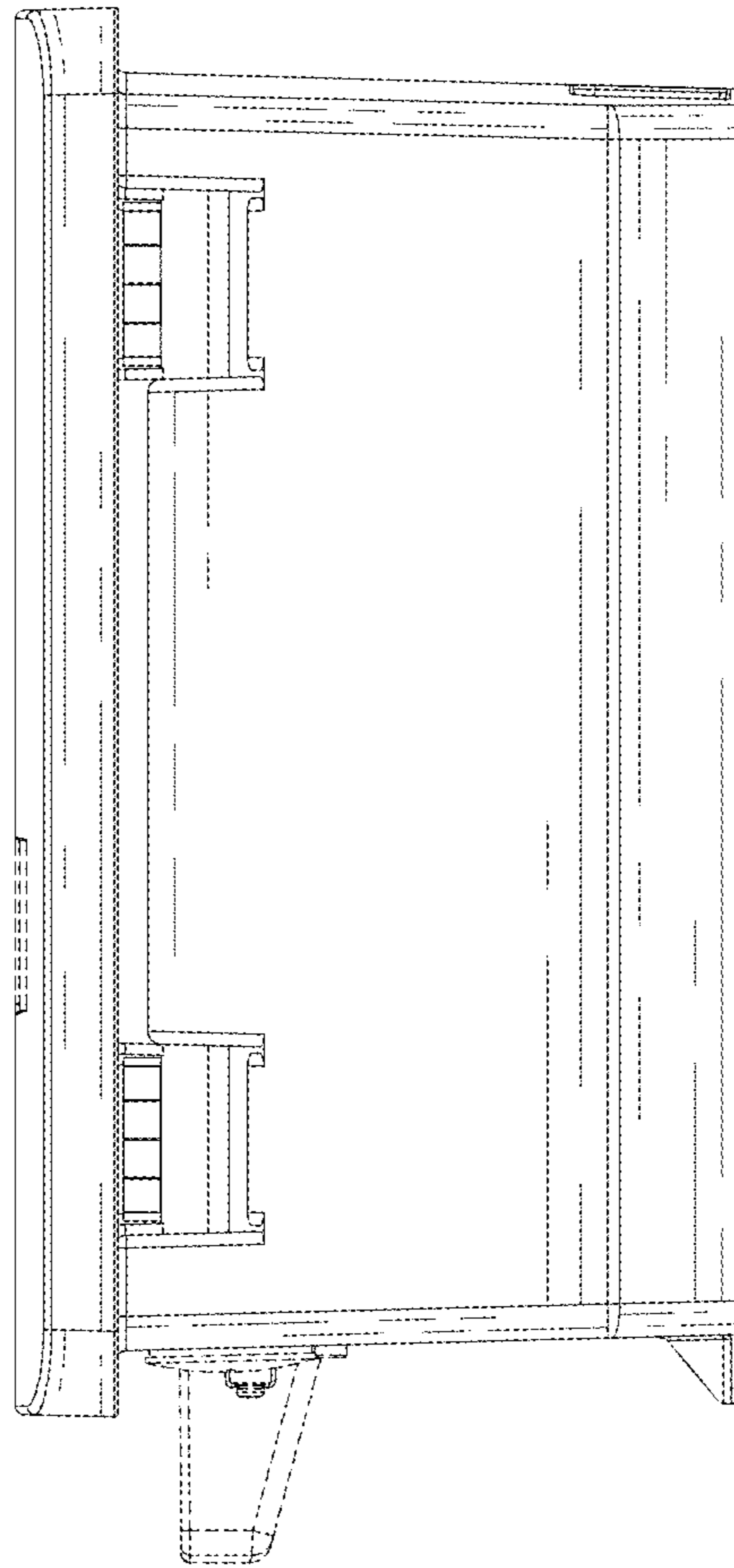


FIG.5

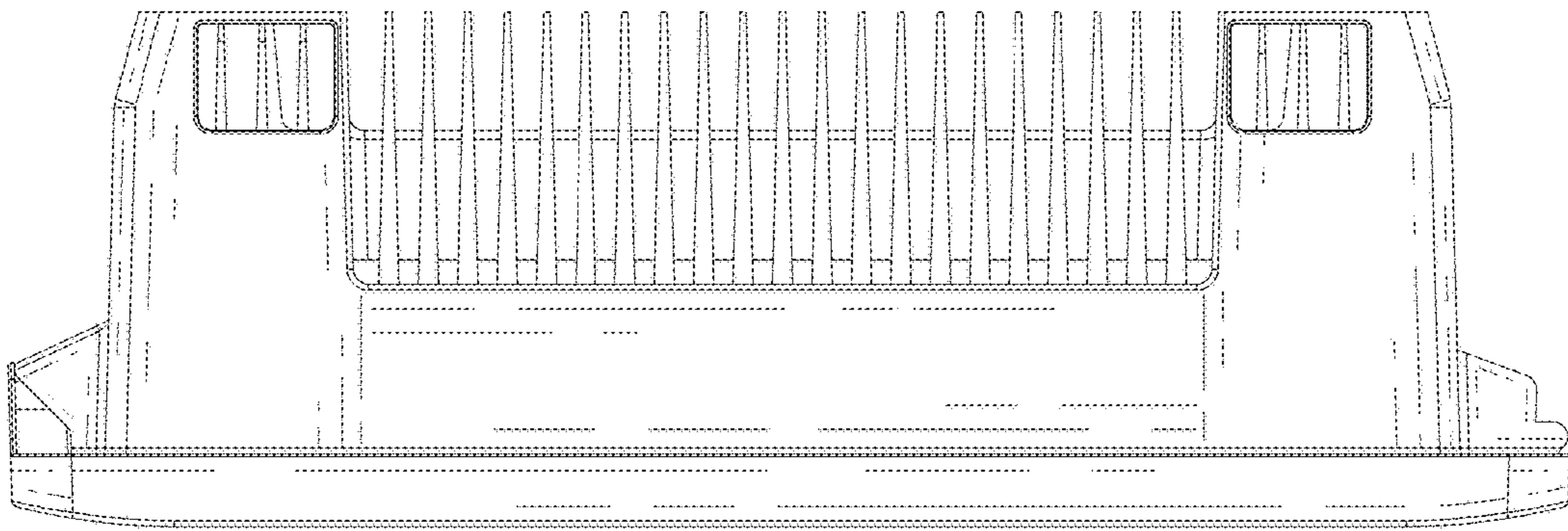


FIG.6

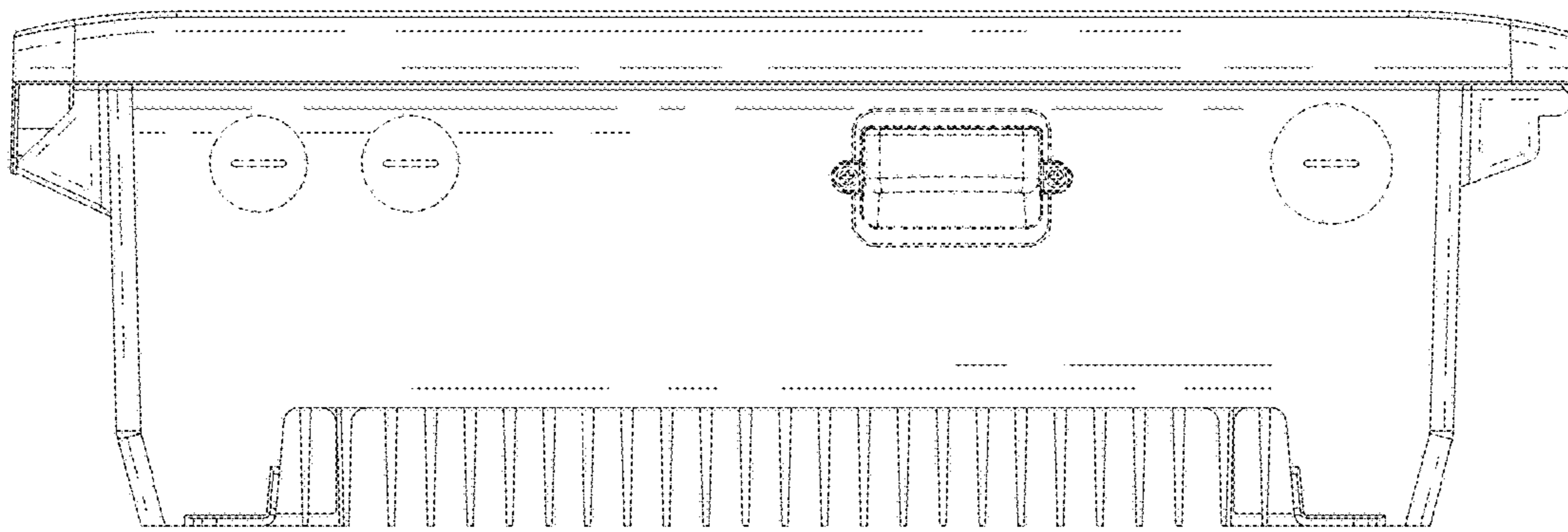


FIG.7

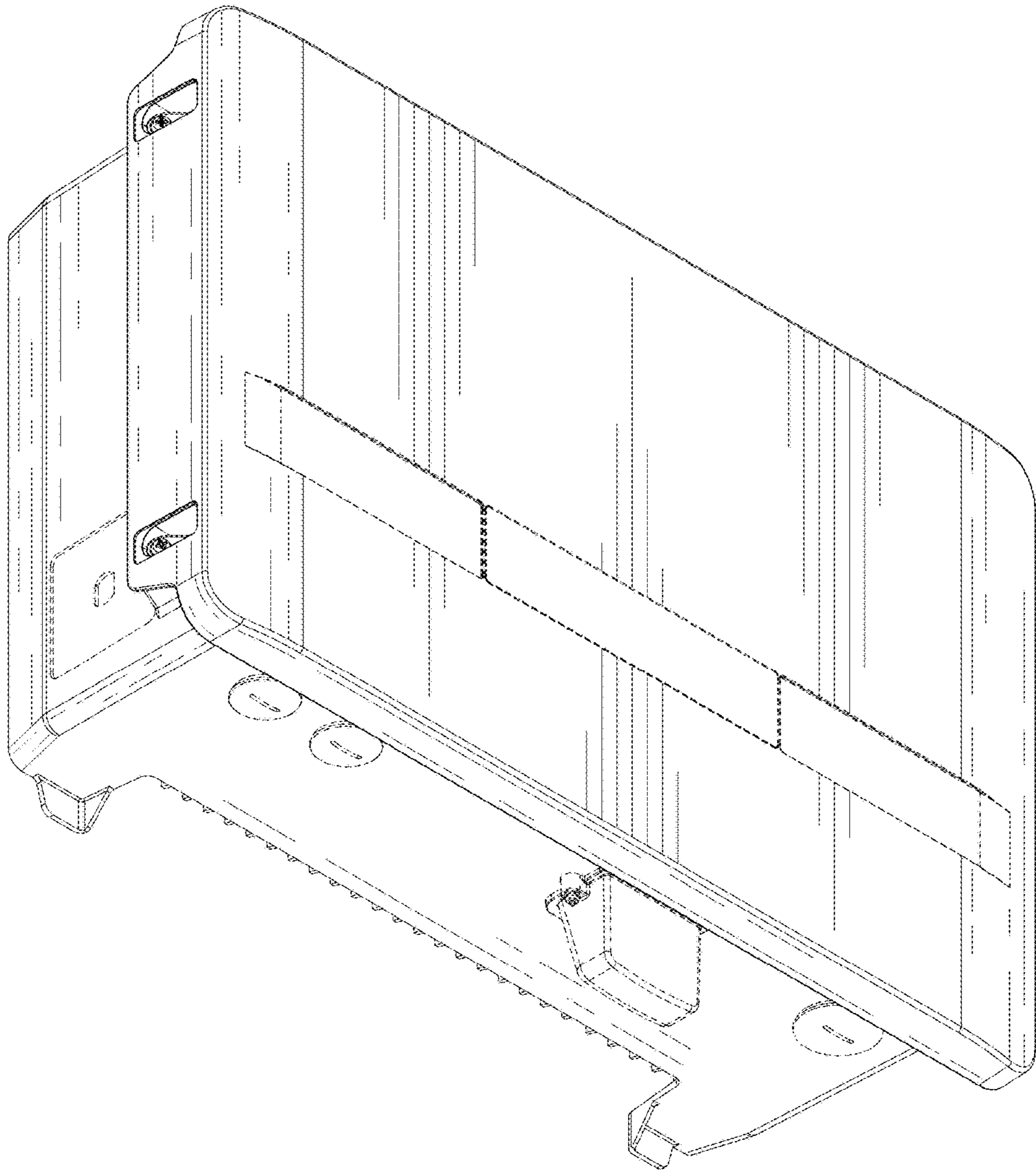


FIG.8

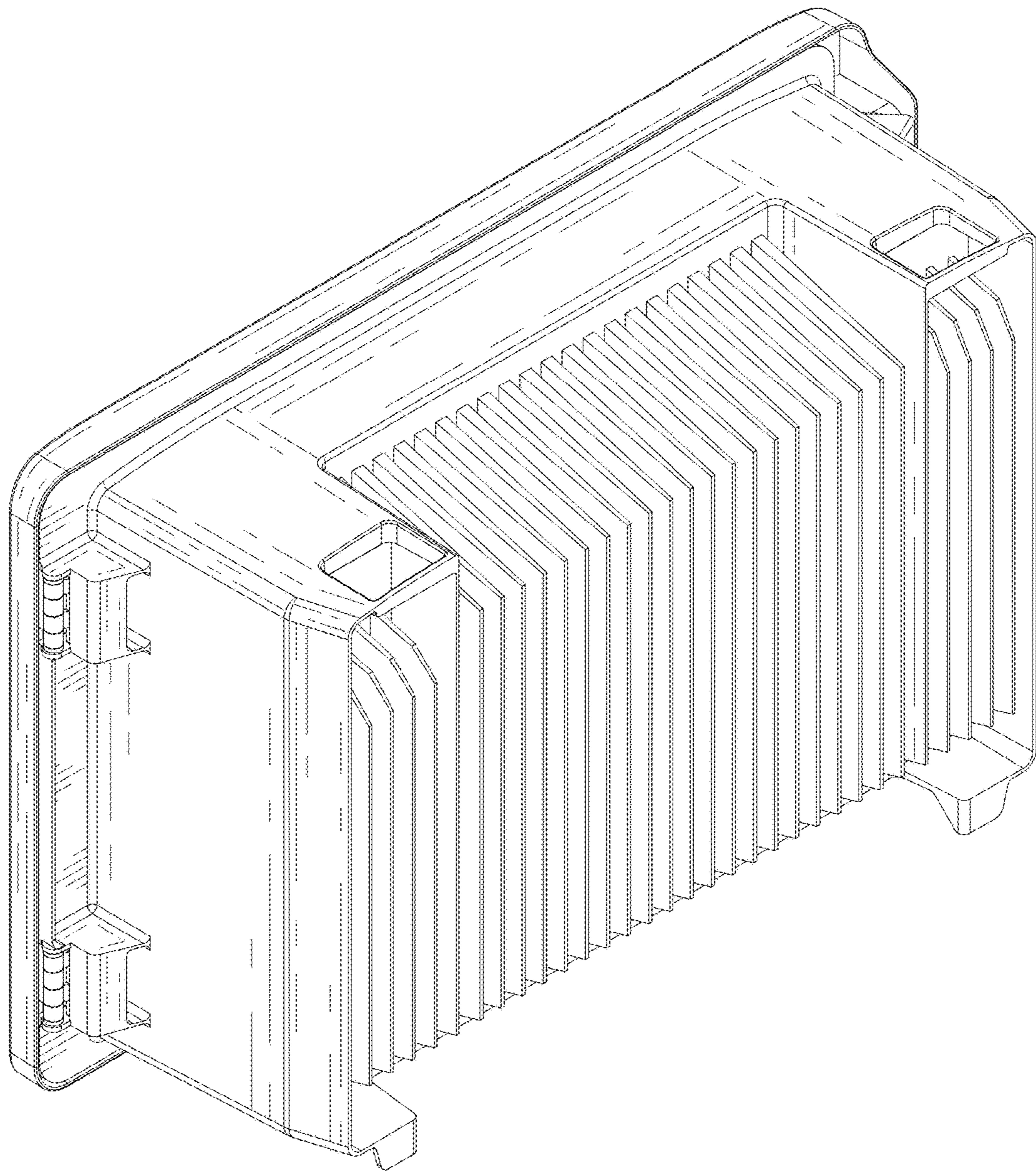


FIG.9