

US00D817274S

(12) **United States Design Patent** (10) **Patent No.:** **US D817,274 S**
Burwell (45) **Date of Patent:** **** May 8, 2018**

(54) **SPLIT-CORE CURRENT TRANSFORMER**

(56) **References Cited**

(71) Applicant: **William Charles Burwell**, Salem, OR (US)

U.S. PATENT DOCUMENTS

(72) Inventor: **William Charles Burwell**, Salem, OR (US)

D260,635 S *	9/1981	Lockwood	D13/110
D357,228 S *	4/1995	Anton	D13/182
D448,350 S *	9/2001	Bentz	D13/152
D506,450 S *	6/2005	Takeuchi	D13/182
D757,664 S *	5/2016	Chu	D13/180

(**) Term: **15 Years**

* cited by examiner

(21) Appl. No.: **29/603,633**

Primary Examiner — Daniel Bui

(22) Filed: **May 11, 2017**

(74) *Attorney, Agent, or Firm* — Dunlap Bennett & Ludwig PLLC

(51) **LOC (11) Cl.** **13-03**

(52) **U.S. Cl.**
USPC **D13/110**

(57) **CLAIM**

(58) **Field of Classification Search**
 USPC D13/108, 110, 118, 123, 180, 182, 184, D13/199; D14/299, 433
 CPC . H02M 2001/0009; H02M 2001/0083; H02M 2001/009; H02M 1/10; H02M 3/02; H02M 3/24; H02M 3/34; H02M 5/00; H02M 5/02; H02M 5/40; H02M 5/42; H02M 7/00; H02M 7/003; H02M 7/02; H02M 7/04; H02M 7/42; H02M 7/44; H02M 7/54; H02J 5/00; H05K 1/00; H05K 1/0213; H05K 5/00; H05K 5/0004; H05K 5/0008; H05K 5/0086; H05K 5/0247; H05K 5/03; H05K 5/04; H05K 7/00; H05K 7/20; H05K 7/20127; H05K 7/20136; H05K 7/20145; H05K 7/20154; H05K 7/20172

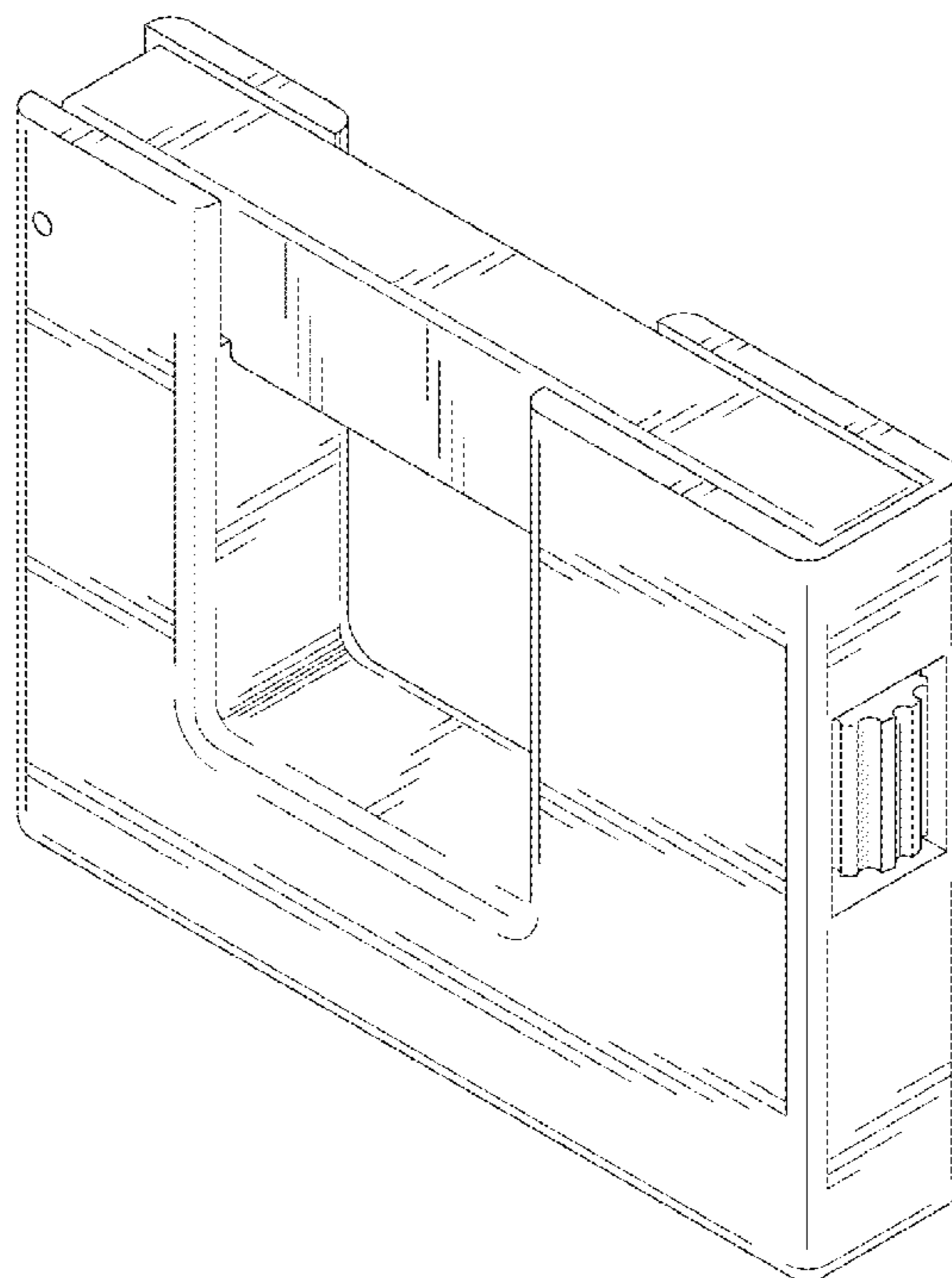
The ornamental design for a split-core current transformer, as shown and described.

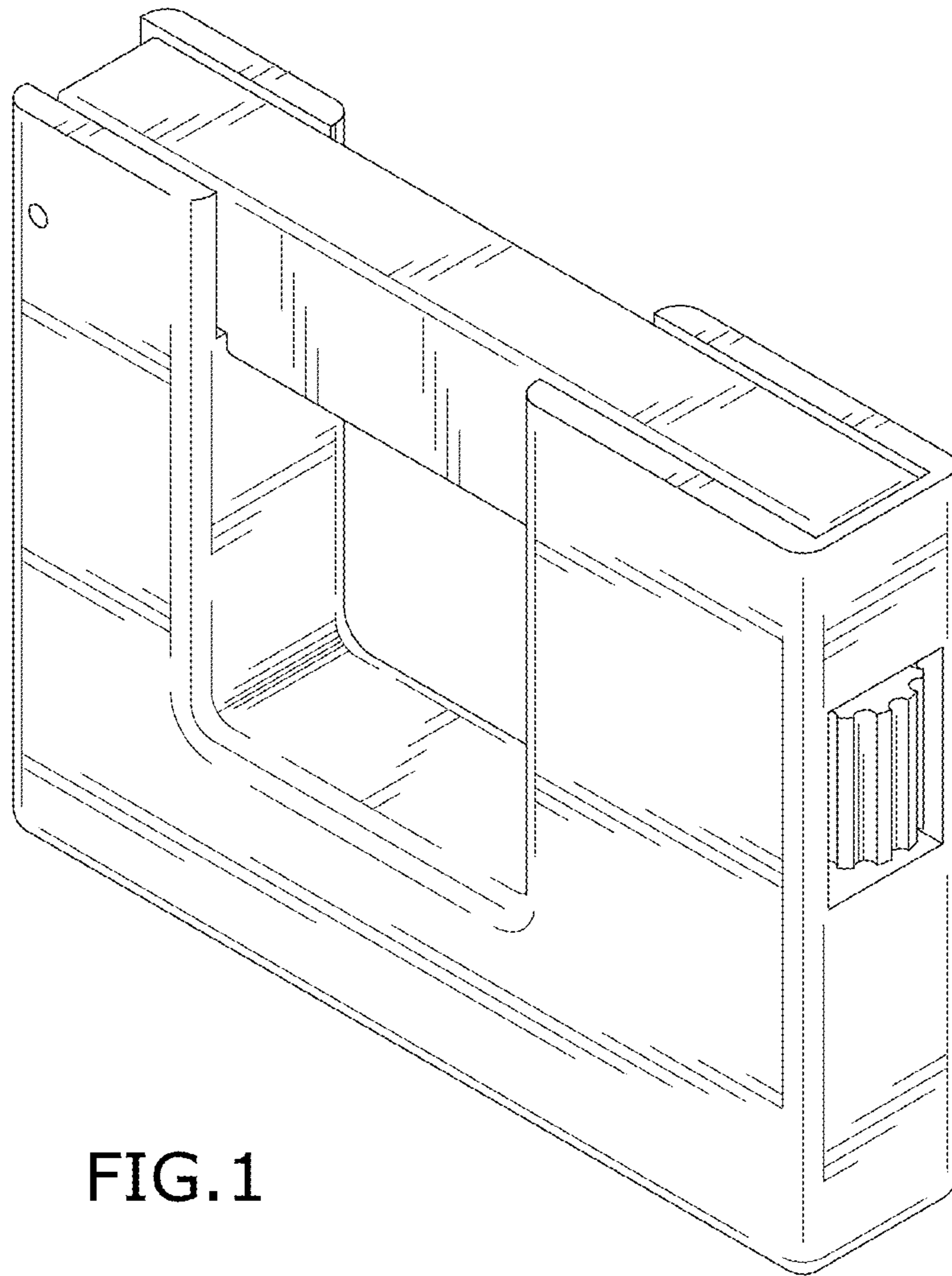
DESCRIPTION

FIG. 1 is a front, top and right side perspective view of a split-core current transformer showing my new design;
 FIG. 2 is a front elevation view thereof, the rear elevation view being a mirror image thereof;
 FIG. 3 is a right side elevation view thereof;
 FIG. 4 is a left side elevation view thereof;
 FIG. 5 is a top plan view thereof; and,
 FIG. 6 is a bottom plan view thereof.

See application file for complete search history.

1 Claim, 4 Drawing Sheets





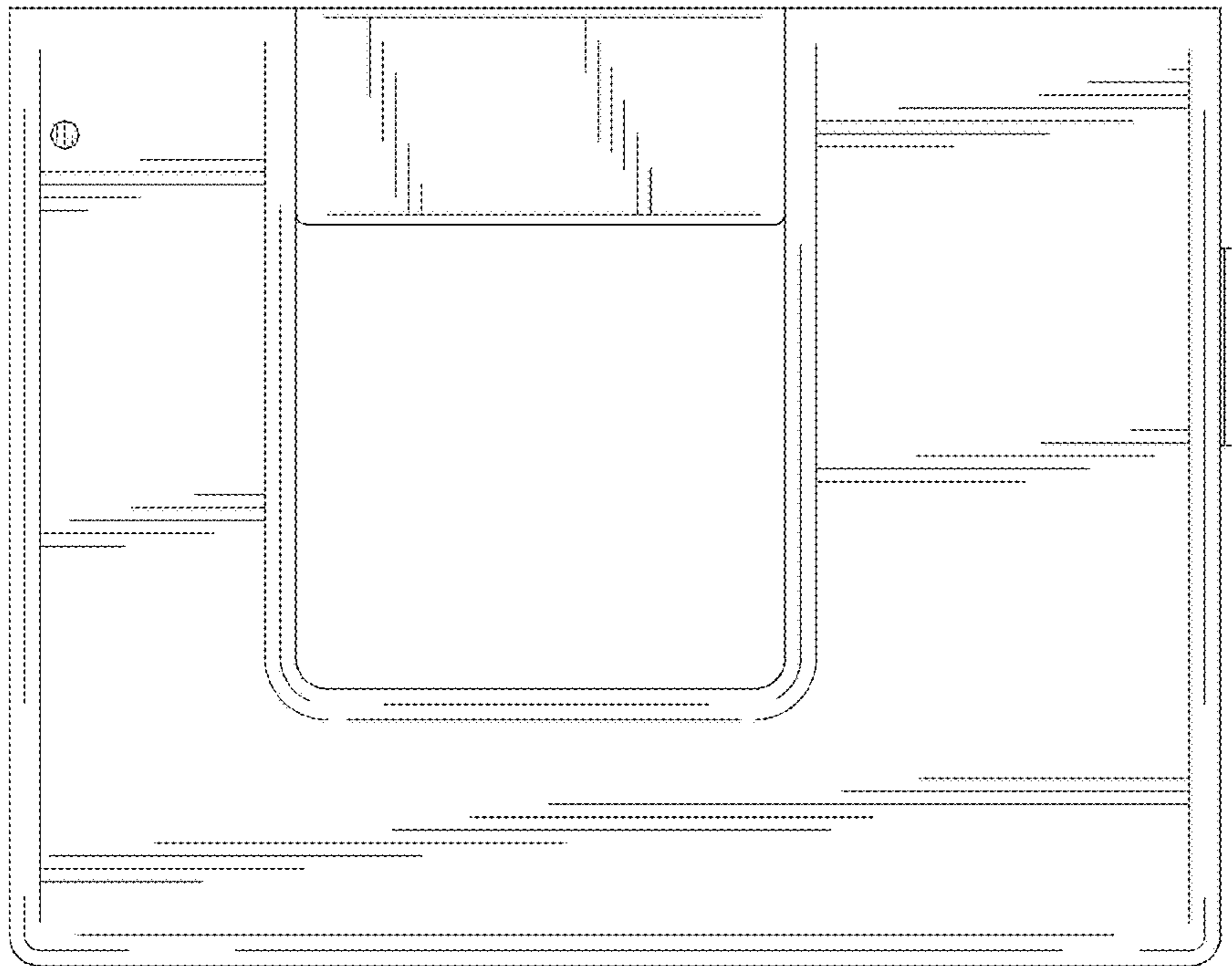


FIG. 2

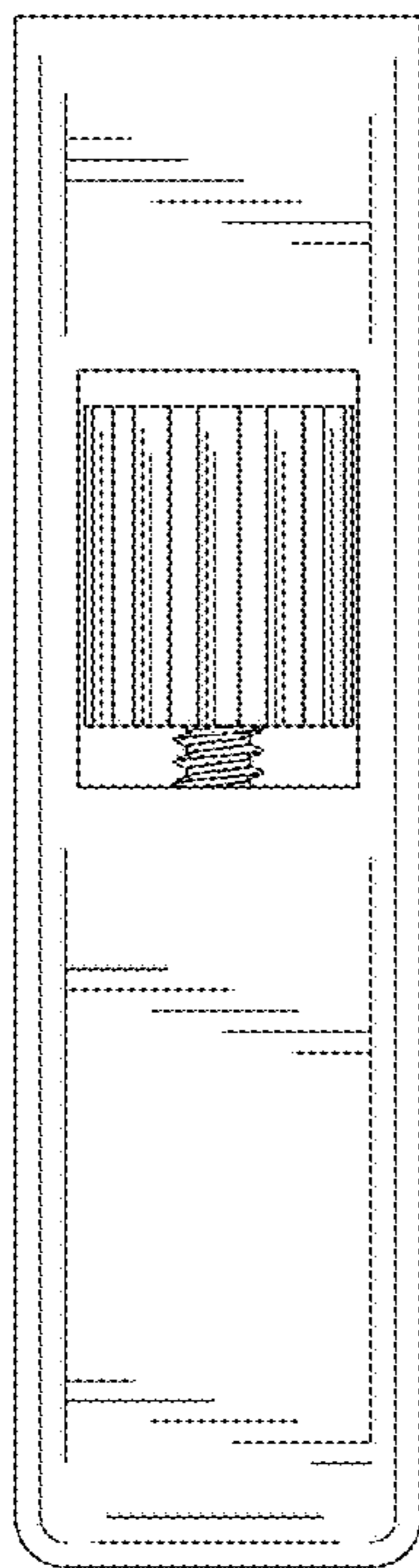


FIG. 3

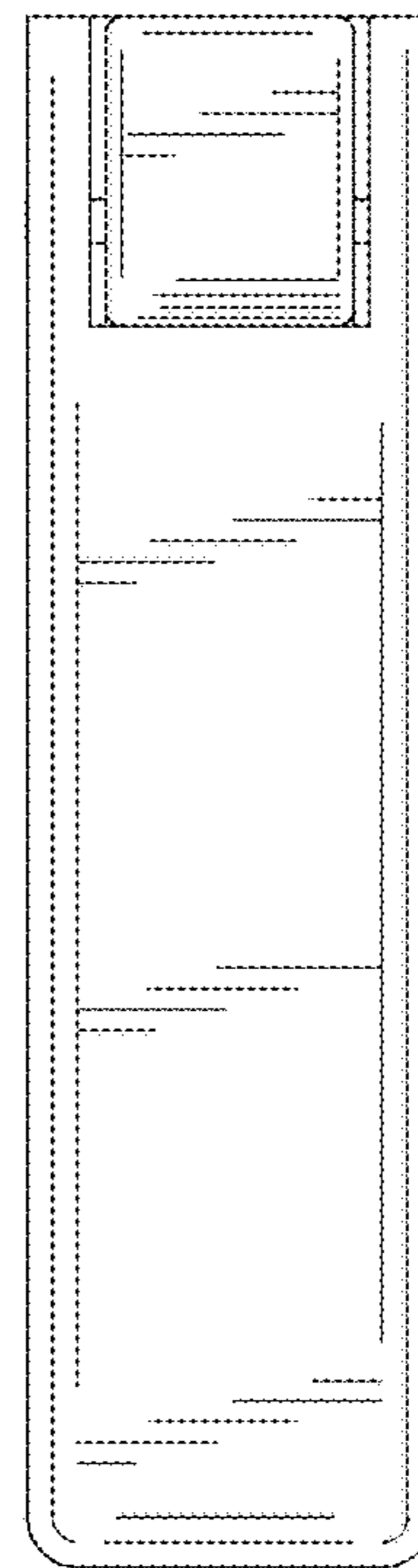


FIG. 4

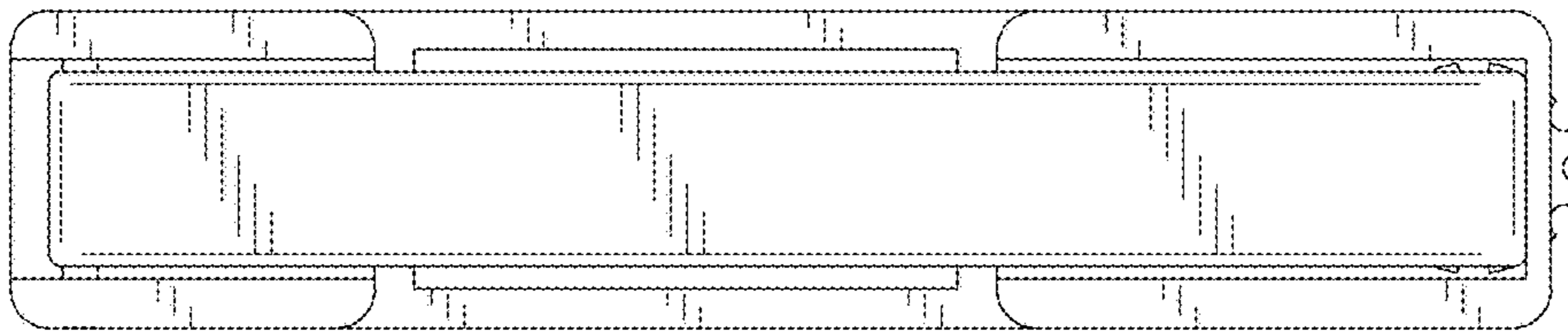


FIG. 5

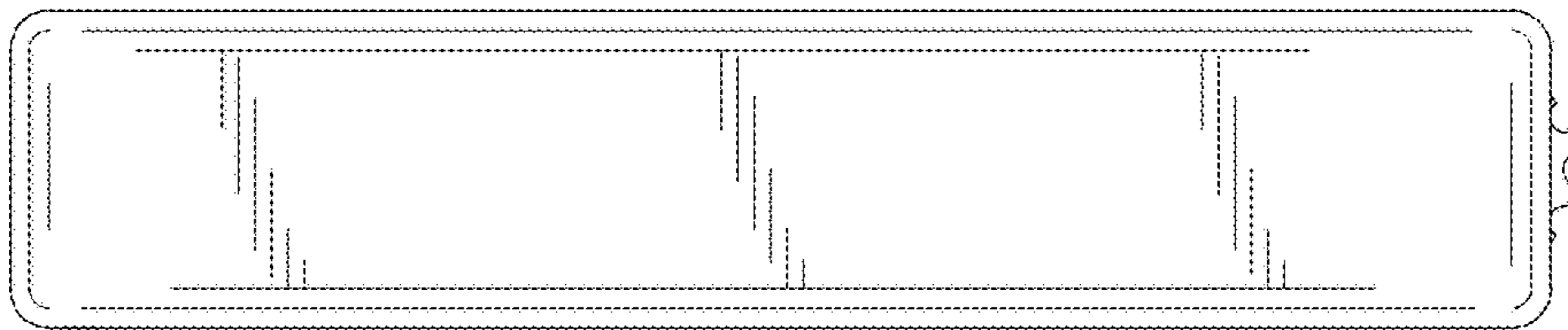


FIG. 6