



US00D817272S

(12) **United States Design Patent** (10) **Patent No.:** **US D817,272 S**
Molnar et al. (45) **Date of Patent:** **** May 8, 2018**

- (54) **I/O MODULE**
- (71) Applicant: **Rockwell Automation Technologies, Inc.**, Mayfield Heights, OH (US)
- (72) Inventors: **Nathan J. Molnar**, Shaker Heights, OH (US); **Yogesh Bhat**, Mayfield Heights, OH (US)
- (73) Assignee: **Rockwell Automation Technologies, Inc.**, Mayfield Heights, OH (US)
- (**) Term: **14 Years**
- (21) Appl. No.: **29/521,348**
- (22) Filed: **Mar. 23, 2015**
- (51) **LOC (11) Cl.** **13-02**
- (52) **U.S. Cl.**
USPC **D13/110**
- (58) **Field of Classification Search**
USPC D13/101, 110, 118, 120, 121, 123, 133, D13/139.2, 155, 162, 162.1, 163, 164, D13/184, 199; D14/311, 312, 313, 357, D14/358, 432, 433; D8/330, 343, 349, D8/353, 377, 382, 499
CPC .. H05K 5/0017; H05K 5/0026; H05K 5/0221; H05K 7/1468; H05K 7/1469; H05K 7/1478; H05K 7/1481; H01R 9/26; Y10S 439/928
See application file for complete search history.

- 7,059,898 B2 6/2006 Barile
- D550,617 S * 9/2007 Wang D13/101
- D638,687 S * 5/2011 Minkley D8/349
- 7,980,891 B2 7/2011 Molnar
- 8,066,239 B2 11/2011 Molnar et al.
- D684,534 S * 6/2013 Nakahira D13/110
- 9,032,593 B2 * 5/2015 Rayos F16B 17/00 224/321

(Continued)

Primary Examiner — Derrick Holland
(74) *Attorney, Agent, or Firm* — Fay Sharpe LLP

(57) **CLAIM**

The ornamental design for an I/O module, as shown and described.

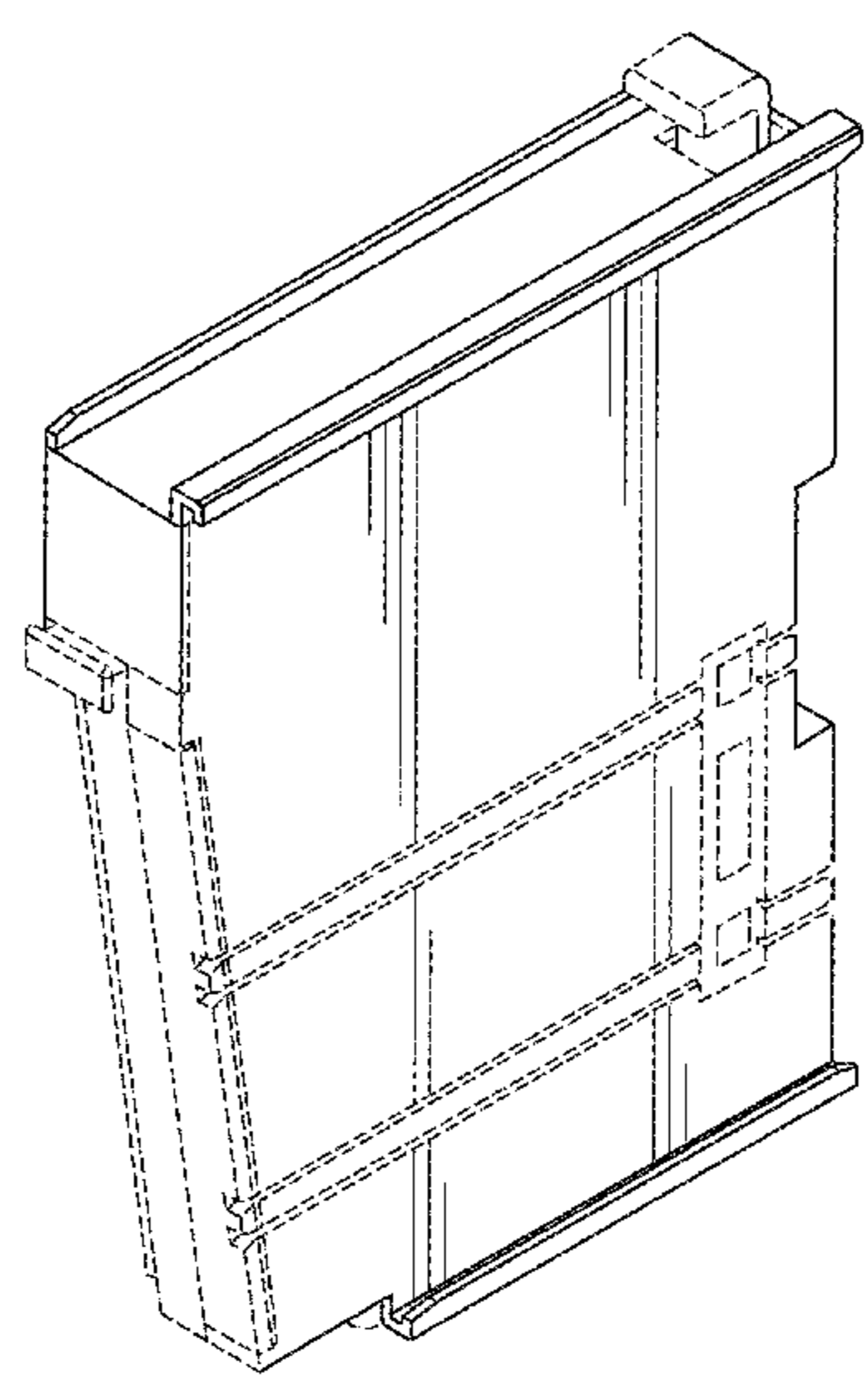
DESCRIPTION

FIG. 1 is a front isometric view of an I/O module showing the new design;
 FIG. 2 is a rear isometric view of the I/O module showing the new design;
 FIG. 3 is a left side view of the I/O module showing the new design;
 FIG. 4 is a top view of the I/O module showing the new design;
 FIG. 5 is a bottom view of the I/O module showing the new design;
 FIG. 6 is a front view of the I/O module showing the new design;
 FIG. 7 is a right side view of the I/O module showing the new design; and,
 FIG. 8 is a rear view of the I/O module showing the new design.

Broken lines in the drawings are used to depict environment and do not form any part of the claimed design. Where broken lines abut a claimed surface it is understood that those broken lines represent an unclaimed boundary between claimed and unclaimed surfaces. None of the broken lines form any part of the claimed design.

1 Claim, 4 Drawing Sheets

- (56) **References Cited**
U.S. PATENT DOCUMENTS
D368,252 S * 3/1996 Nakai D13/162.1
D400,986 S * 11/1998 Kanta D25/199
D402,965 S * 12/1998 Bender D13/162
5,904,592 A 5/1999 Baran et al.
D427,147 S * 6/2000 Wei D13/110
6,418,027 B1 7/2002 Suzuki et al.
6,431,909 B1 8/2002 Nolden et al.



(56)

References Cited

U.S. PATENT DOCUMENTS

D746,124 S * 12/2015 Toye D8/349
2009/0125156 A1 5/2009 Killian et al.
2014/0017917 A1 1/2014 Molnar
2014/0226287 A1* 8/2014 V H02B 1/052
361/747

* cited by examiner

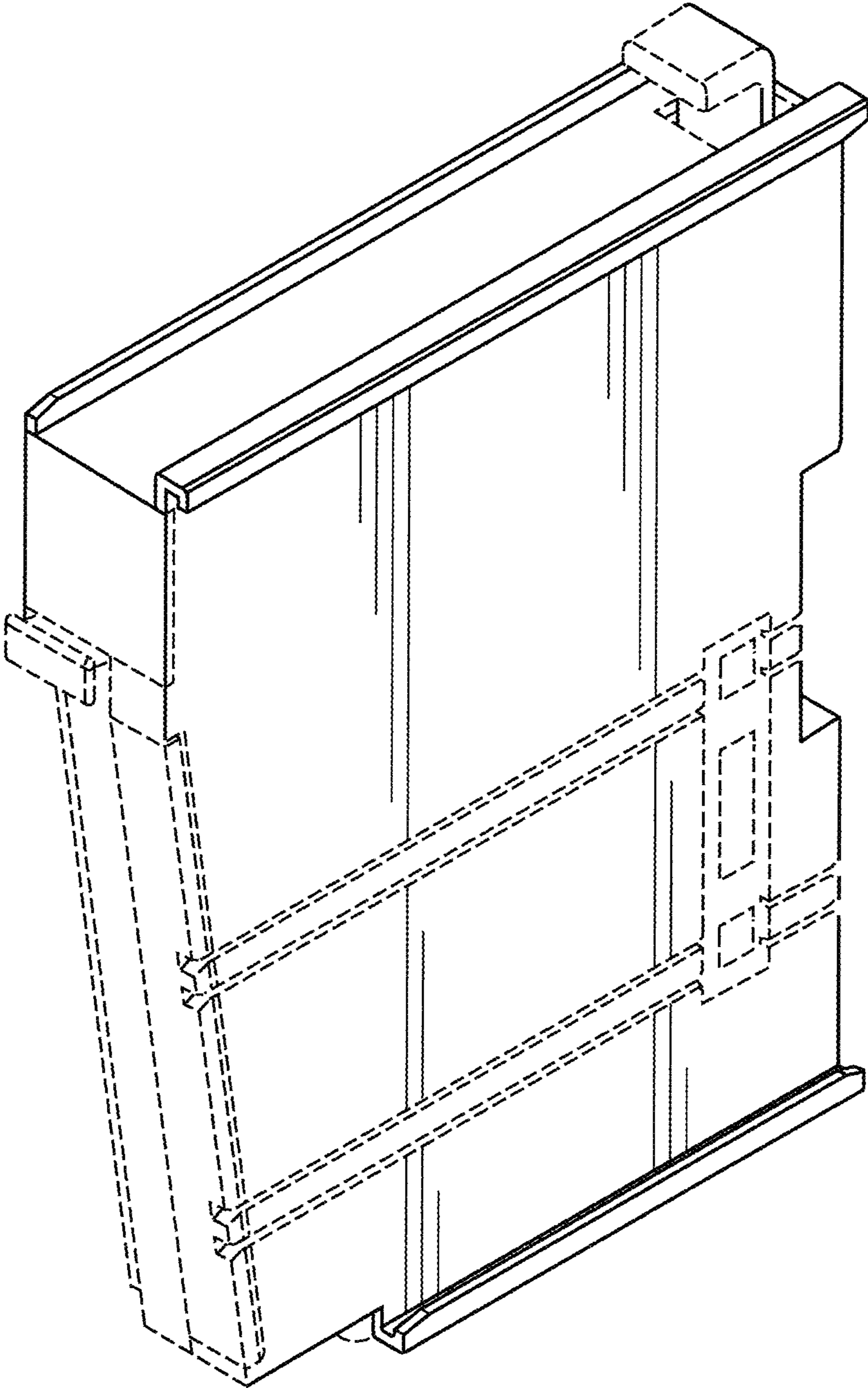


FIG. 1

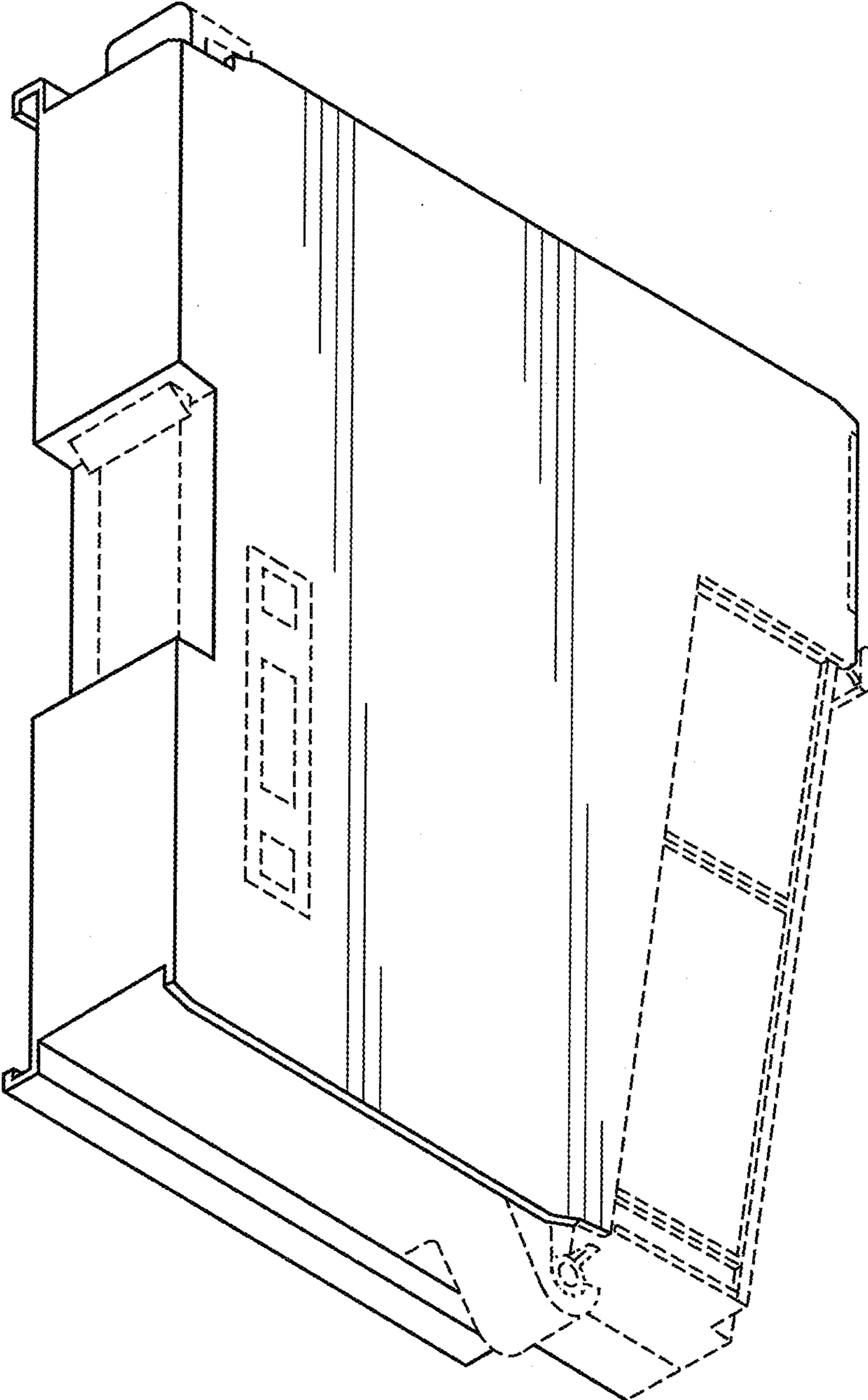


FIG. 2

FIG. 4

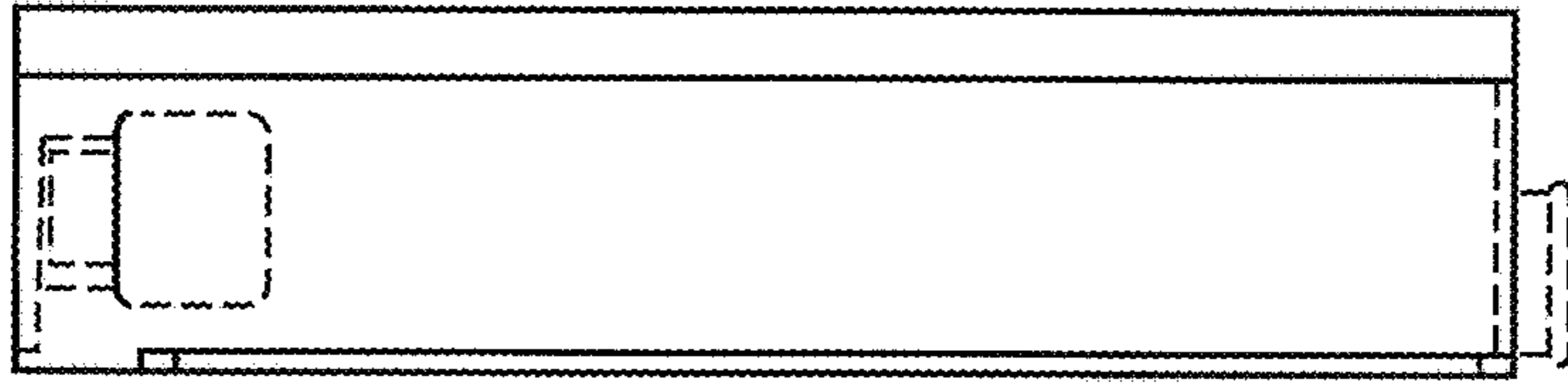


FIG. 3

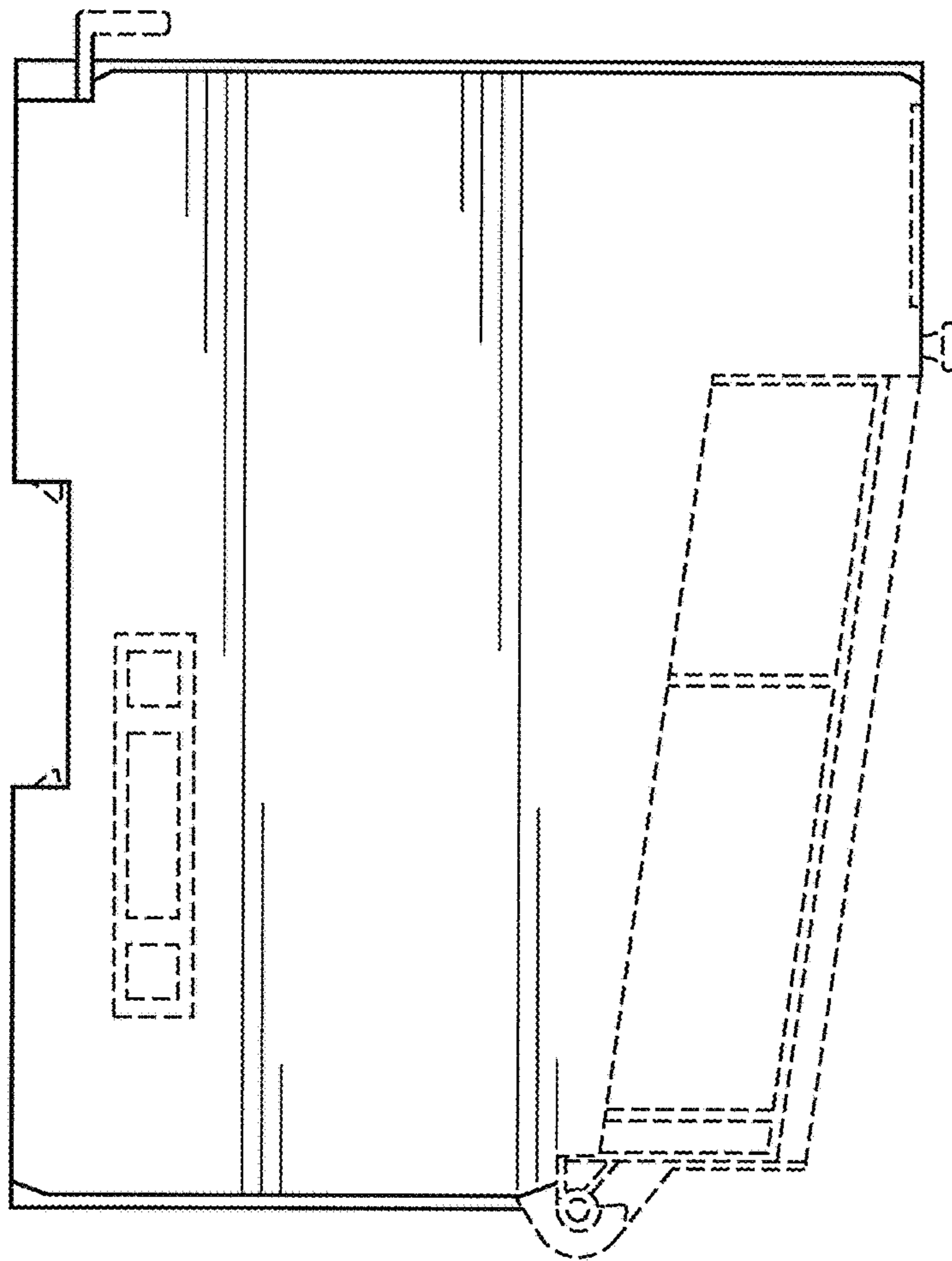
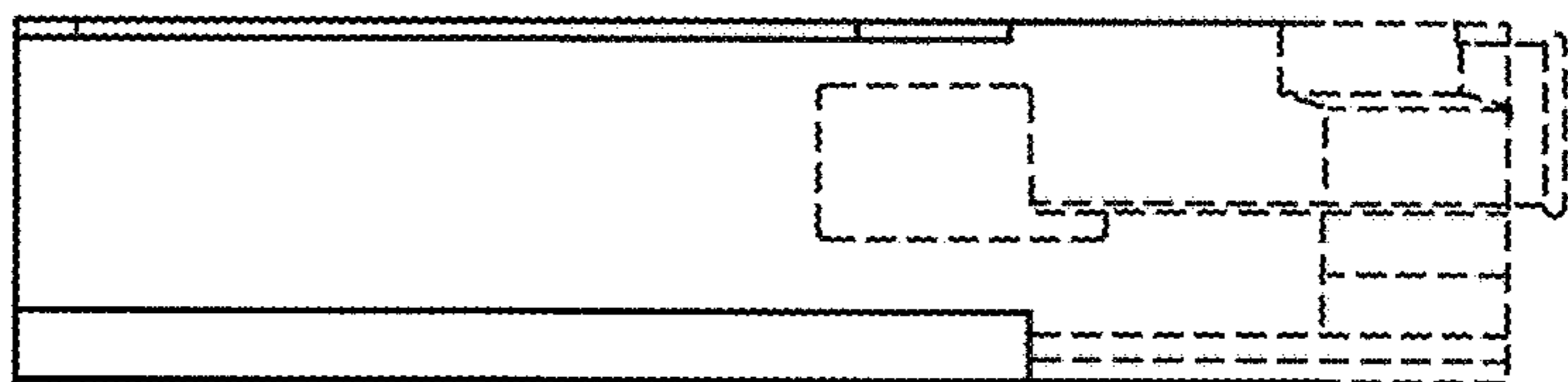


FIG. 5



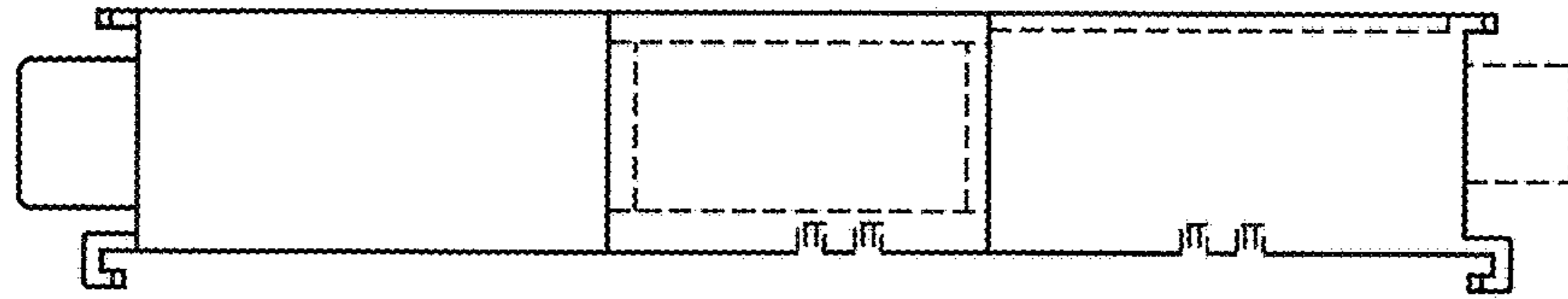


FIG. 6

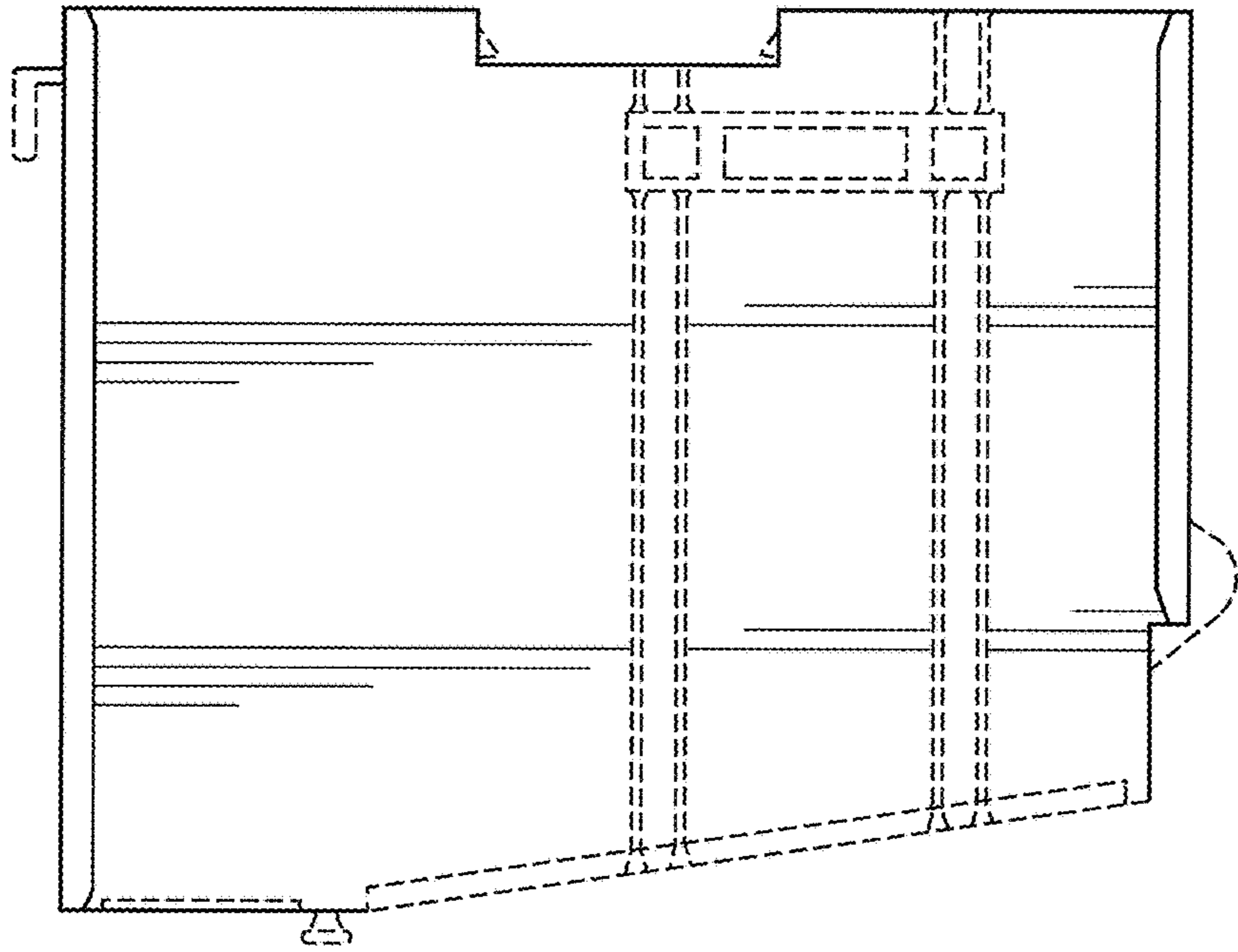


FIG. 7

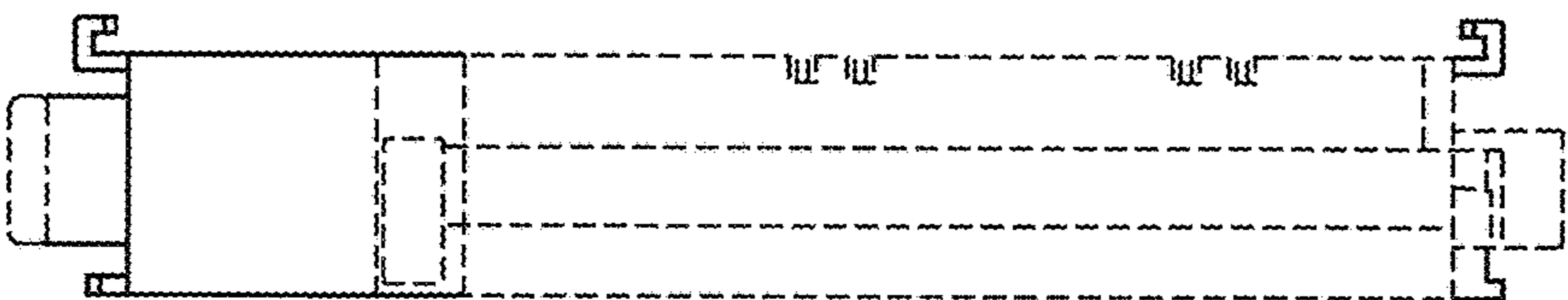


FIG. 8