



US00D817271S

(12) **United States Design Patent**
Hutchinson

(10) **Patent No.:** **US D817,271 S**

(45) **Date of Patent:** **** May 8, 2018**

(54) **CHARGING STATION**

(71) Applicant: **Jeffrey Keith Hutchinson**, Dallas, TX
(US)

(72) Inventor: **Jeffrey Keith Hutchinson**, Dallas, TX
(US)

(**) Term: **15 Years**

(21) Appl. No.: **29/579,147**

(22) Filed: **Sep. 28, 2016**

(51) **LOC (11) Cl.** **13-02**

(52) **U.S. Cl.**
USPC **D13/108**

(58) **Field of Classification Search**
USPC D13/107-110, 118-119, 184; D14/251,
D14/253, 432, 434
CPC Y02E 60/12; Y02T 90/14; Y02T 90/122;
Y02T 90/128; Y02T 90/163; H02J 7/025;
H02J 7/0042; H02J 7/0044; H02J 7/0045;
H02J 7/0003; H01F 38/14; H01R
13/6675; H01M 2/1022; H01M 2/1055;
H01M 10/44; H01M 10/46; H01M
10/425; B60L 11/182
See application file for complete search history.

(56) **References Cited**

U.S. PATENT DOCUMENTS

D474,737 S *	5/2003	Yoshida	D13/108
D517,319 S *	3/2006	Wisnoski	D3/304
D709,028 S *	7/2014	Thompson	D13/108
D713,453 S *	9/2014	Chuang	D19/77
D717,290 S *	11/2014	Shen	D14/253

D731,186 S *	6/2015	Hsu	D3/304
D733,105 S *	6/2015	Wengreen	D14/239
D765,063 S *	8/2016	Wengreen	D14/238.1
D769,622 S *	10/2016	Frank	D3/304
D773,397 S *	12/2016	Sasano	D13/146
D780,824 S *	3/2017	Li	D14/434
2017/0256965 A1 *	9/2017	Clark	H02J 7/0027
2017/0264117 A1 *	9/2017	Deutsch	H02J 7/0044

* cited by examiner

Primary Examiner — Rosemary K Tarcza

Assistant Examiner — Alison M Ofstun

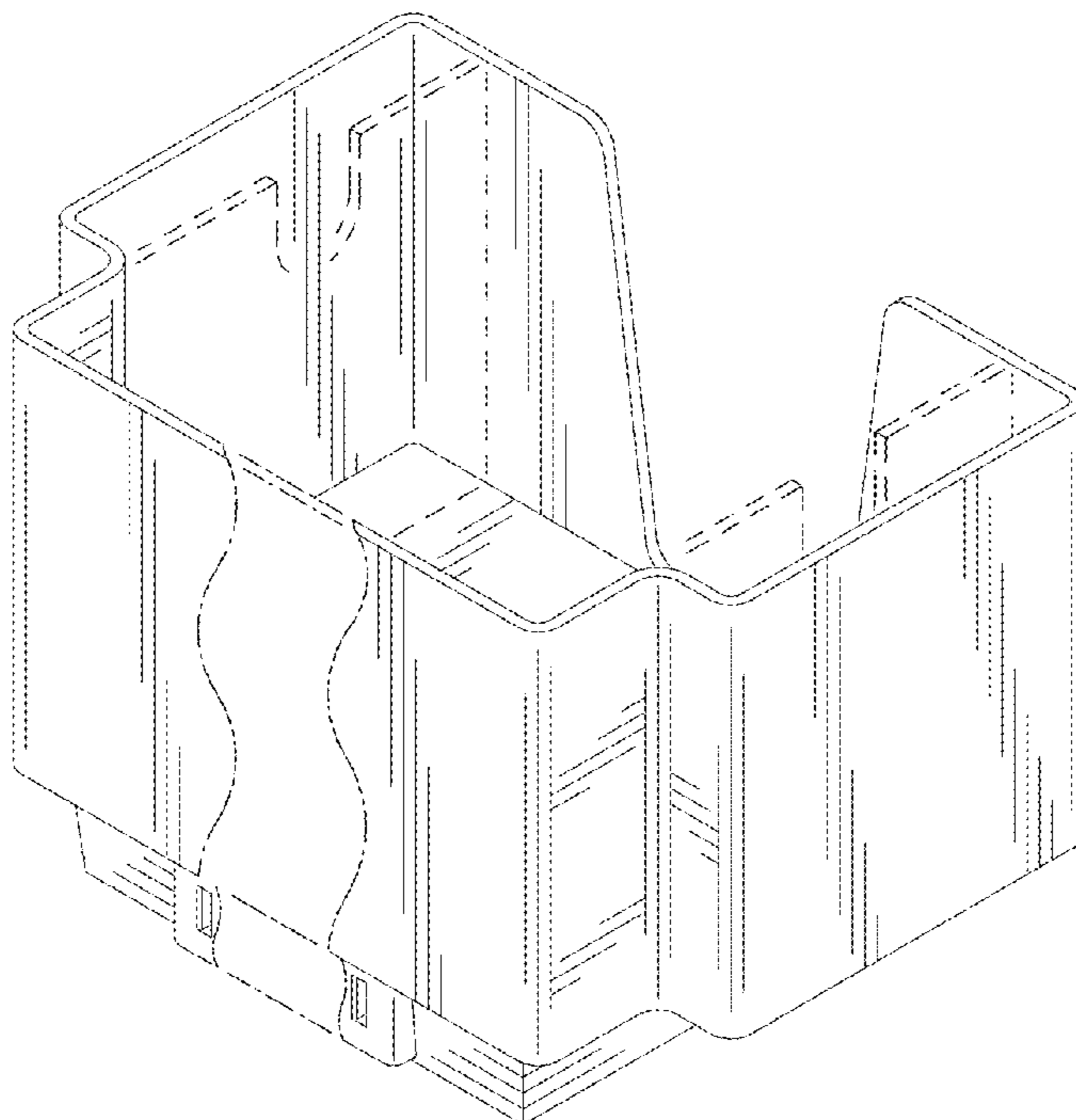
(57) **CLAIM**

The ornamental design for a charging station, as shown and described.

DESCRIPTION

FIG. 1 is a top front perspective view of a charging station showing my new design;
FIG. 2 is a front elevation view thereof;
FIG. 3 is a rear elevation view thereof;
FIG. 4 is a top elevation view thereof;
FIG. 5 is a bottom elevation view thereof; and,
FIG. 6 is a right elevation view thereof, with the left elevation view being a mirror image thereof.
The broken lines shown in the drawings illustrate portions of the charging station that form no part of the claimed design. The charging station is shown with a symbolic break in its length. The appearance of any portion of the article between the break lines forms no part of the claimed design.

1 Claim, 4 Drawing Sheets



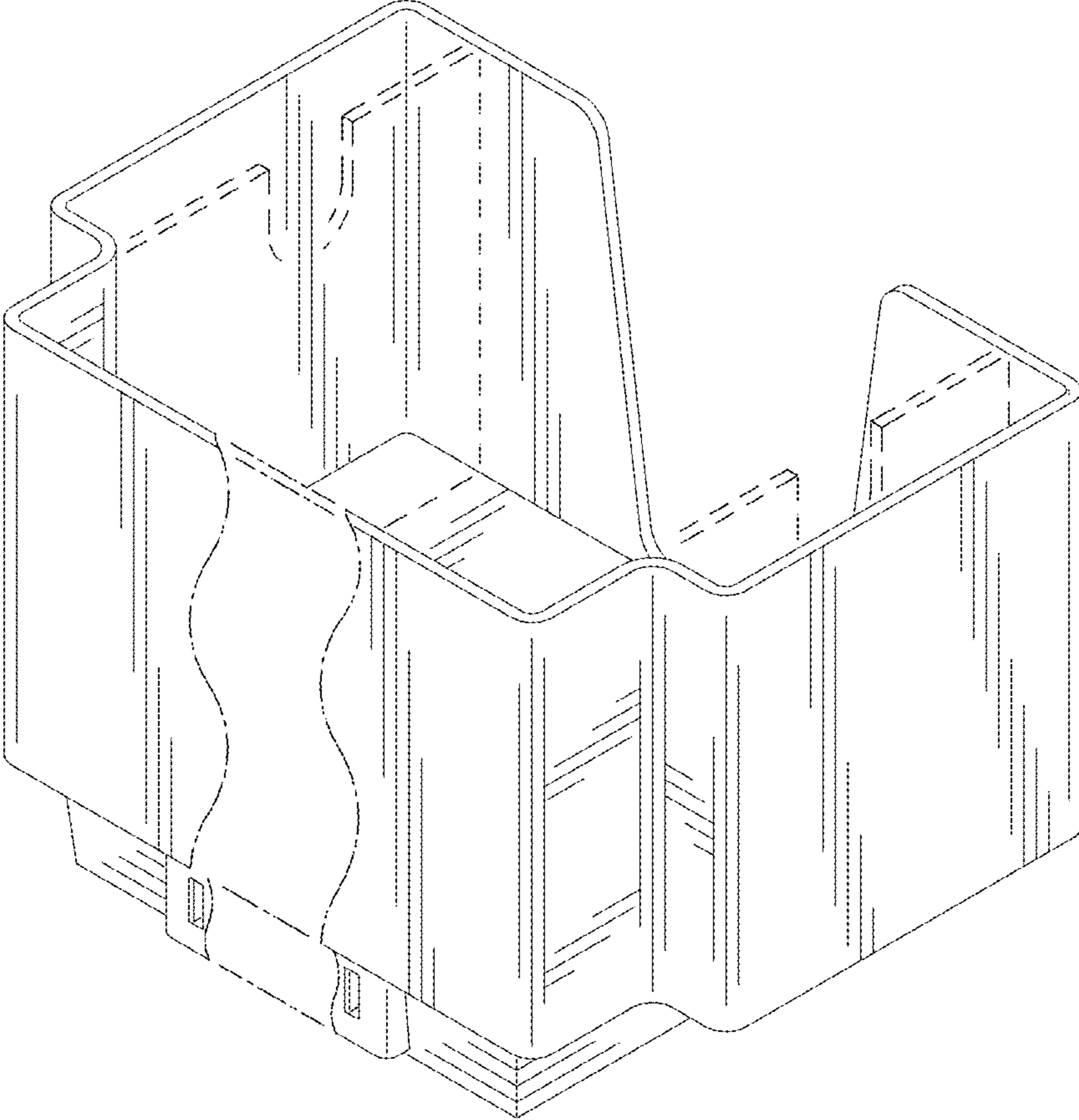


FIG. 1

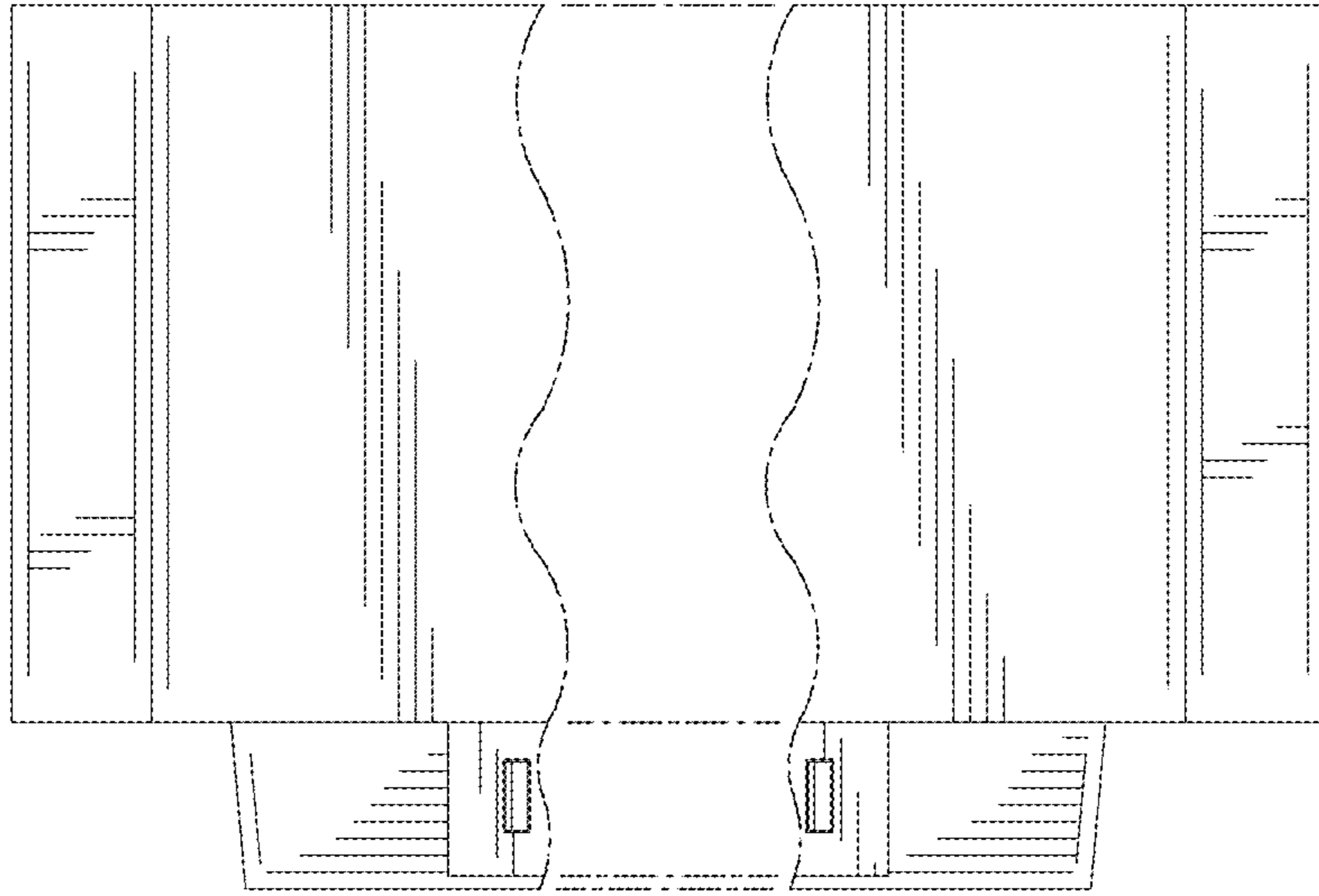


FIG. 2

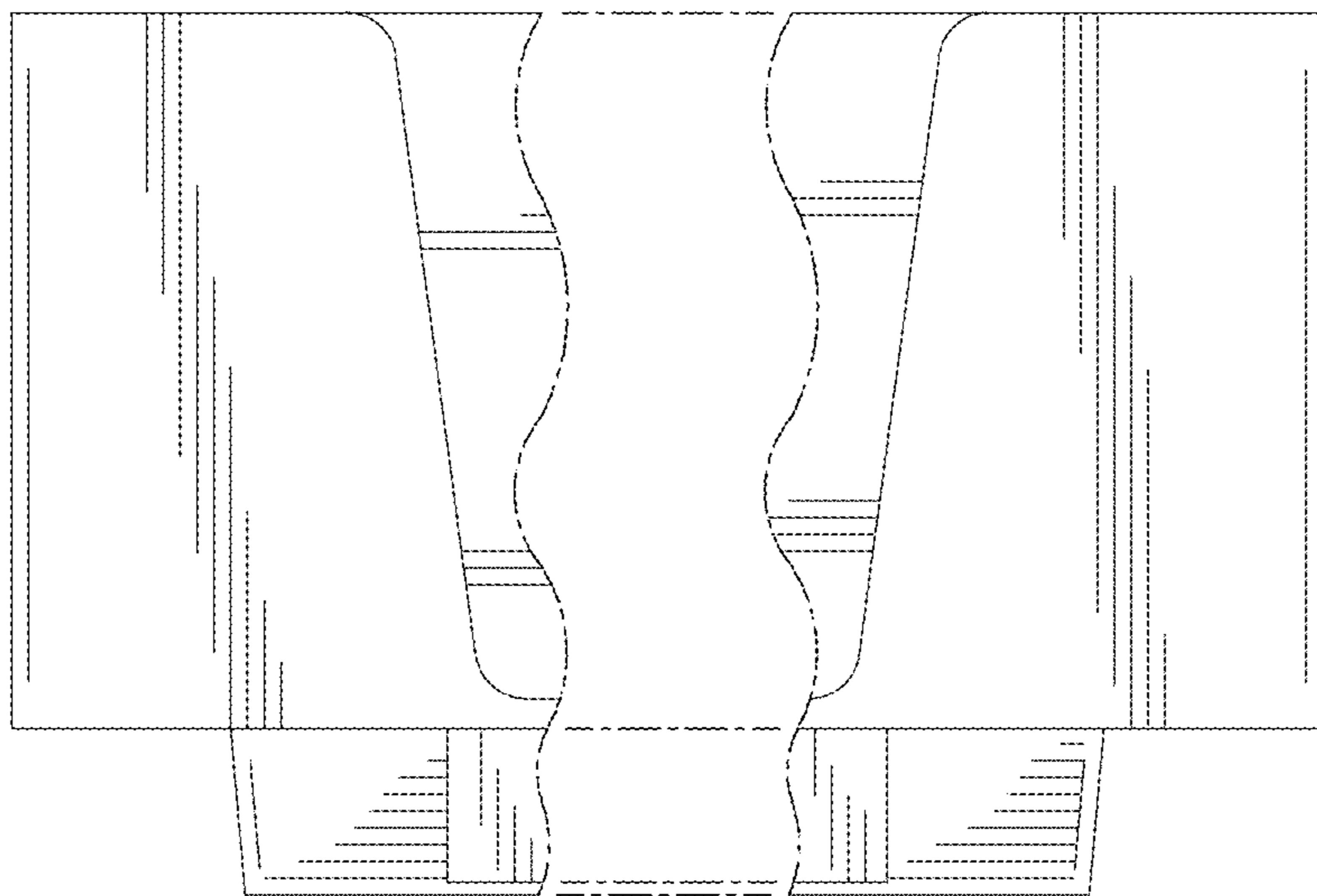


FIG. 3

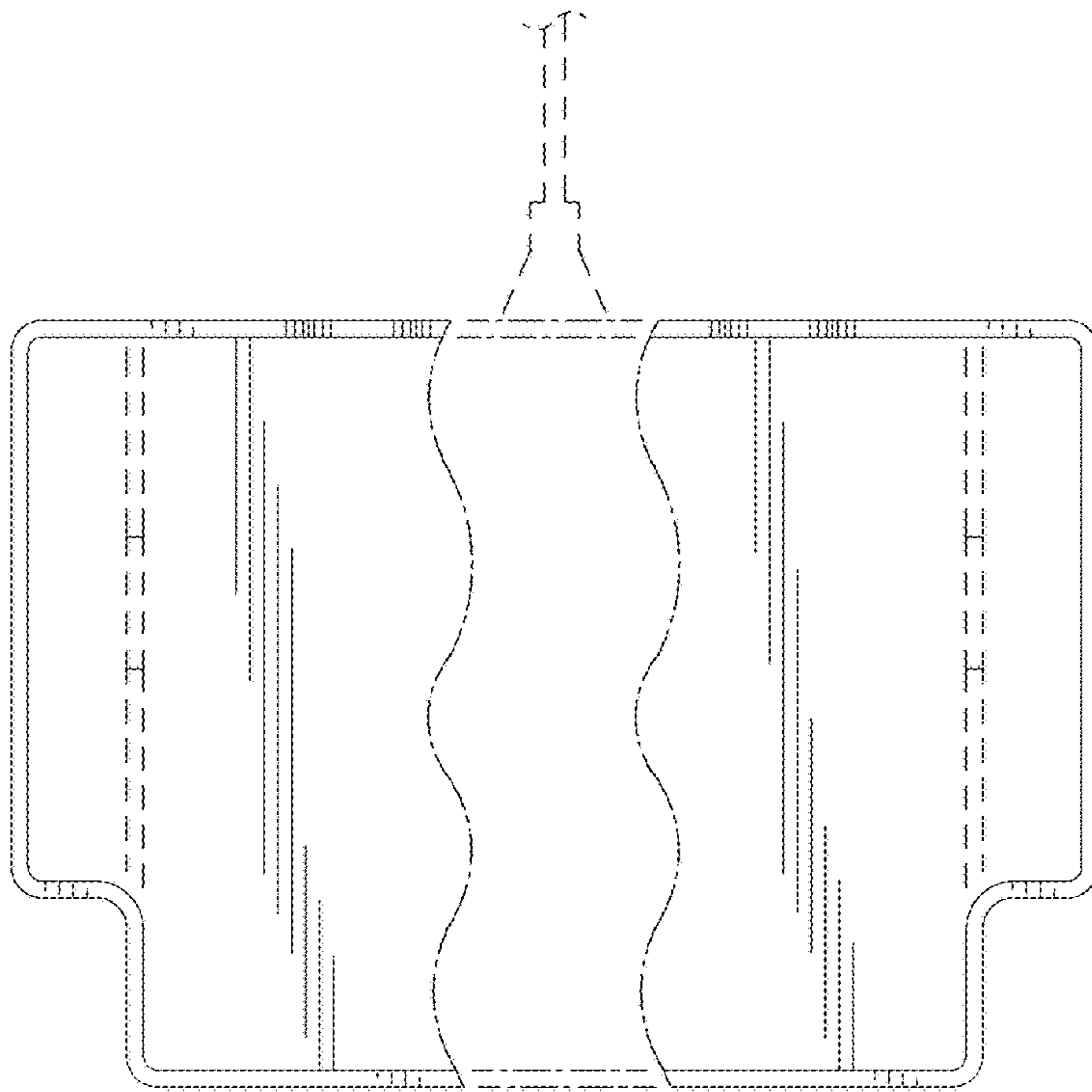


FIG. 4

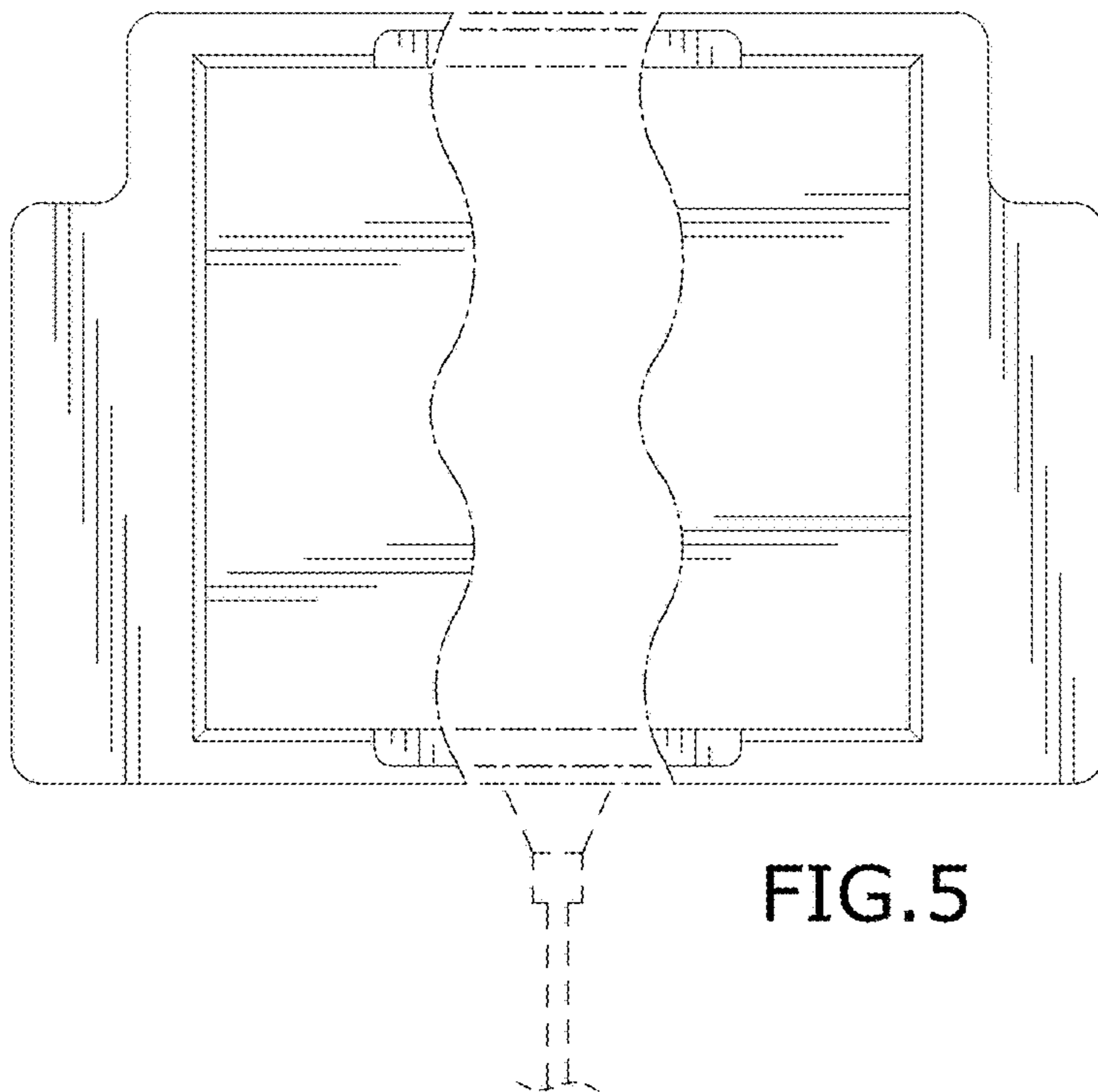


FIG. 5

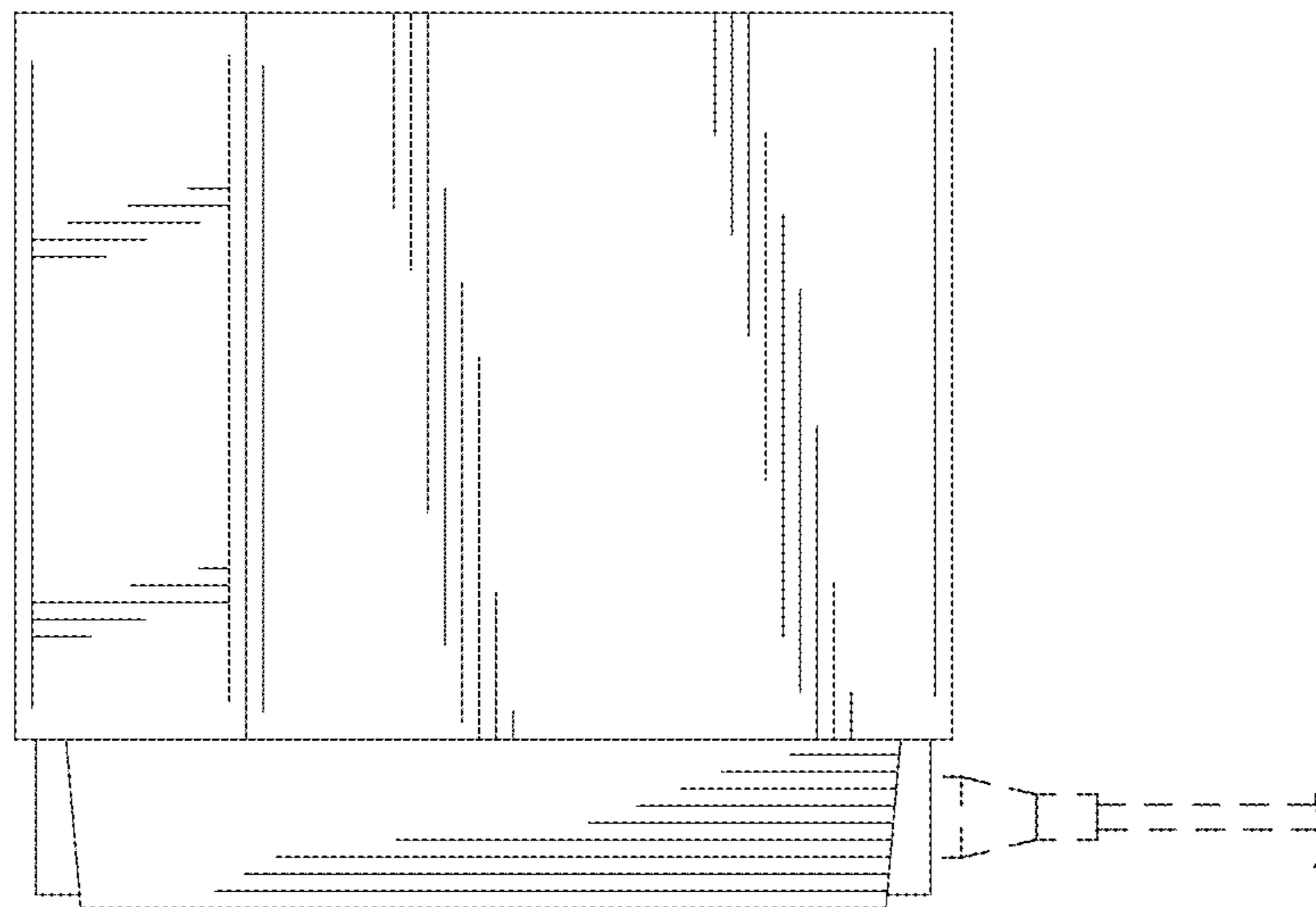


FIG.6