



US00D817267S

(12) **United States Design Patent** (10) **Patent No.:** **US D817,267 S**  
**Vitulli** (45) **Date of Patent:** **\*\* May 8, 2018**

(54) **BATTERY CHARGER**

(71) Applicant: **Jason Vitulli**, Floral Park, NY (US)

(72) Inventor: **Jason Vitulli**, Floral Park, NY (US)

(\*\*) Term: **15 Years**

(21) Appl. No.: **29/555,659**

(22) Filed: **Feb. 24, 2016**

(51) **LOC (11) Cl.** ..... **13-02**

(52) **U.S. Cl.**  
USPC ..... **D13/107**

(58) **Field of Classification Search**  
USPC ..... D13/110, 118–119, 184, 107–108;  
D14/251, 253, 432, 434  
CPC ..... Y02E 60/12; Y02T 90/14; Y02T 90/122;  
Y02T 90/128; Y02T 90/163; H02J 7/025;  
H02J 7/0042; H02J 7/0044; H02J 7/0045;  
H02J 7/0003; H01F 38/14; H01R  
13/6675; H01M 2/1022; H01M 2/1055;  
H01M 10/44; H01M 10/46; H01M  
10/425; B60L 11/182  
See application file for complete search history.

(56) **References Cited**

U.S. PATENT DOCUMENTS

3,815,078 A	6/1974	Fedrick
5,923,147 A	7/1999	Martensson
6,059,081 A	5/2000	Patterson et al.
6,806,682 B2	10/2004	Hsiao
6,909,259 B2	6/2005	Chung

D531,180 S *	10/2006	Goto	.....	D14/432
D631,051 S *	1/2011	DeFronzo	.....	D14/434
D632,648 S *	2/2011	Yang	.....	D13/103
D662,050 S *	6/2012	Tien	.....	D13/108
D694,184 S	11/2013	Lu		
D735,403 S *	7/2015	Che	.....	D13/110
D739,407 S *	9/2015	Son	.....	D14/434
D743,332 S *	11/2015	Ju	.....	D13/103
D743,333 S *	11/2015	Nomi	.....	D13/108
D743,886 S *	11/2015	Nomi	.....	D13/108
D788,034 S *	5/2017	Gschwandt	.....	D13/108
D791,071 S *	7/2017	Tsui	.....	D13/107
D791,697 S *	7/2017	Precheur	.....	D13/107
2014/0152245 A1 *	6/2014	Choi	.....	H02J 7/0042 320/108

\* cited by examiner

*Primary Examiner* — Rosemary K Tarcza

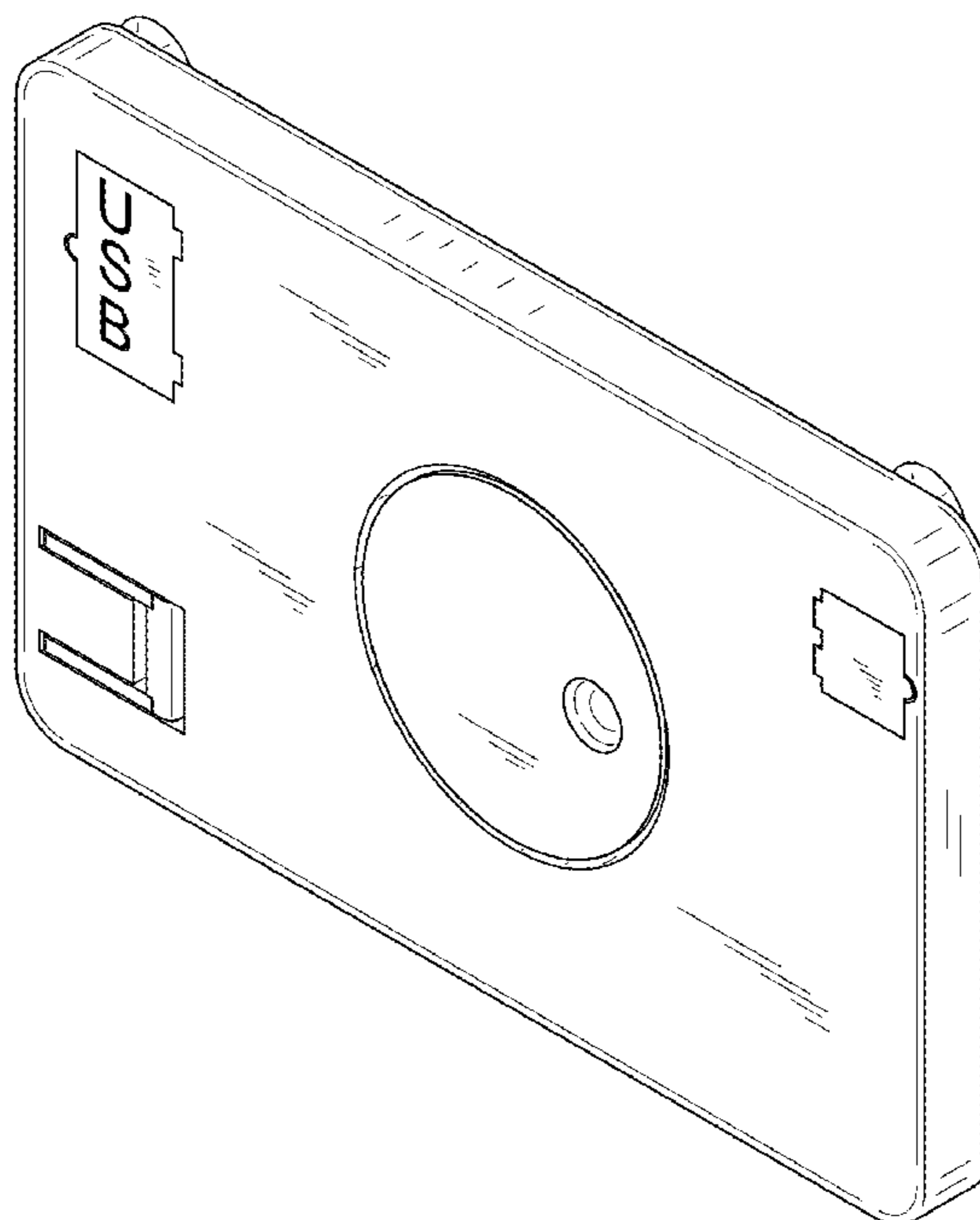
(57) **CLAIM**

The ornamental design for a battery charger, as shown and described.

**DESCRIPTION**

FIG. 1 is a front view of a battery charger showing my new design;  
FIG. 2 is a rear view of the battery charger;  
FIG. 3 is a left side view of the battery charger, a right side view being a mirror image thereof;  
FIG. 4 is a top view of the battery charger, a bottom view being a mirror image thereof; and,  
FIG. 5 is a top front side perspective view of the battery charger.

**1 Claim, 5 Drawing Sheets**



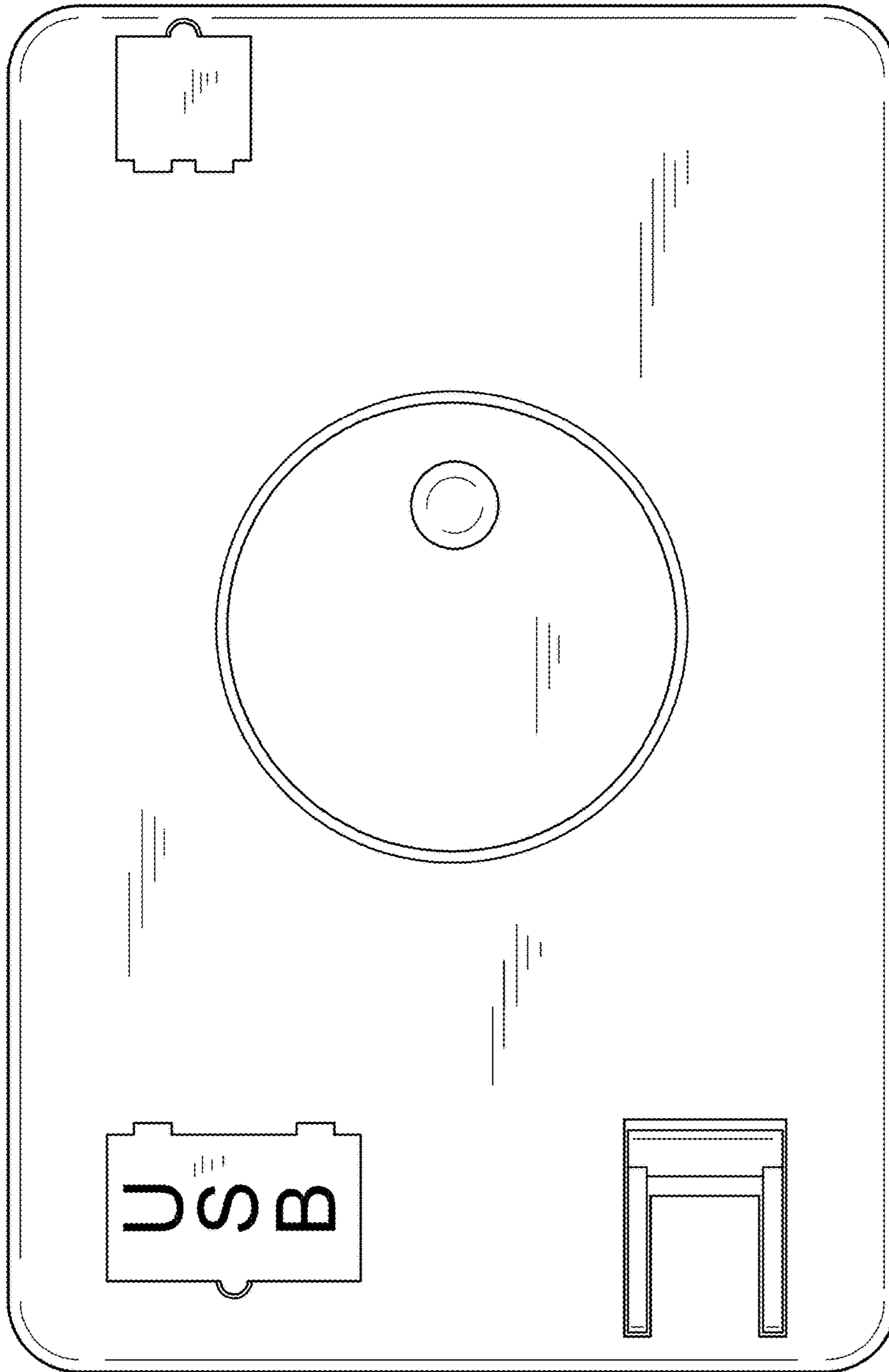


FIG. 1

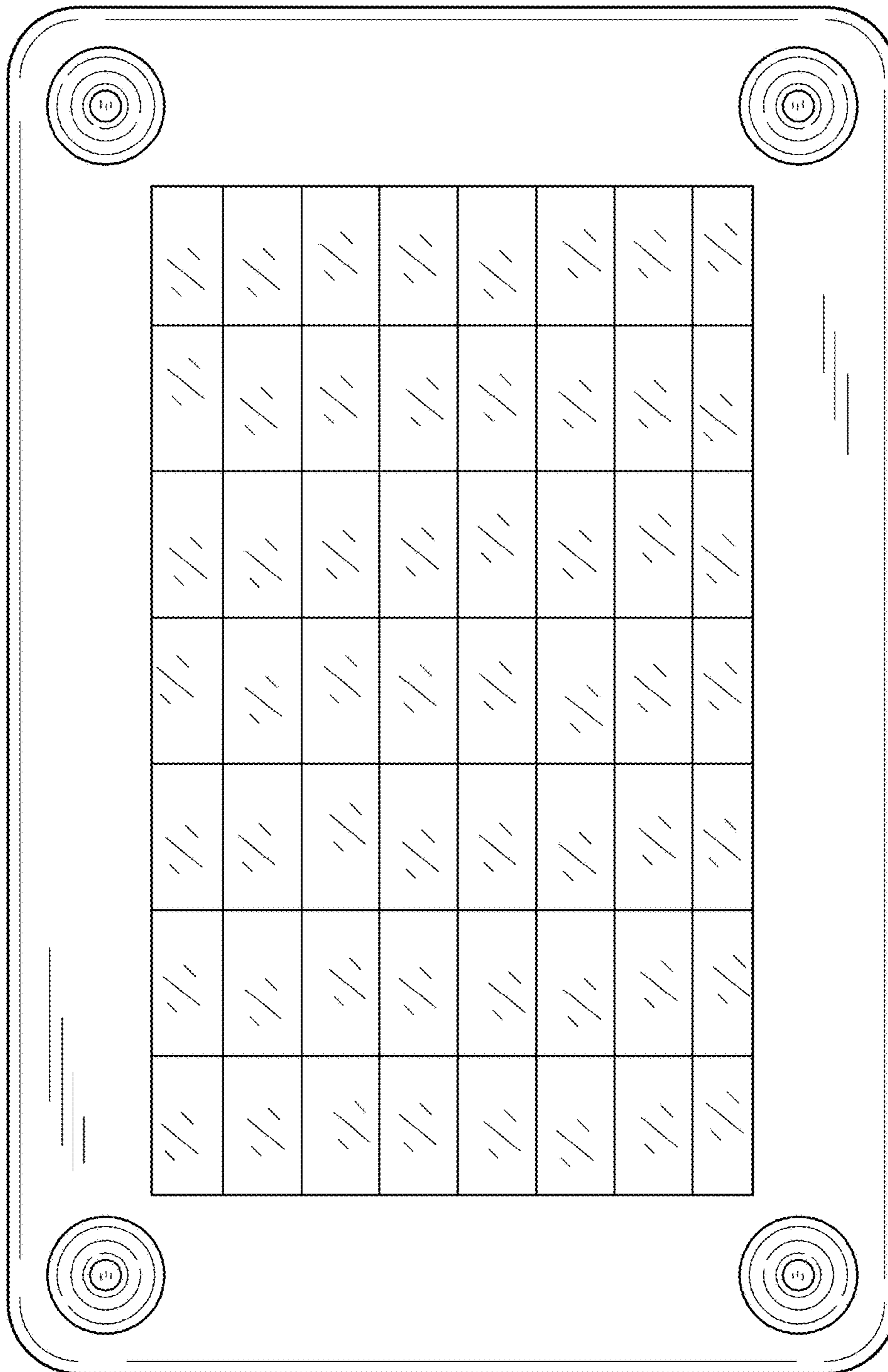


FIG. 2

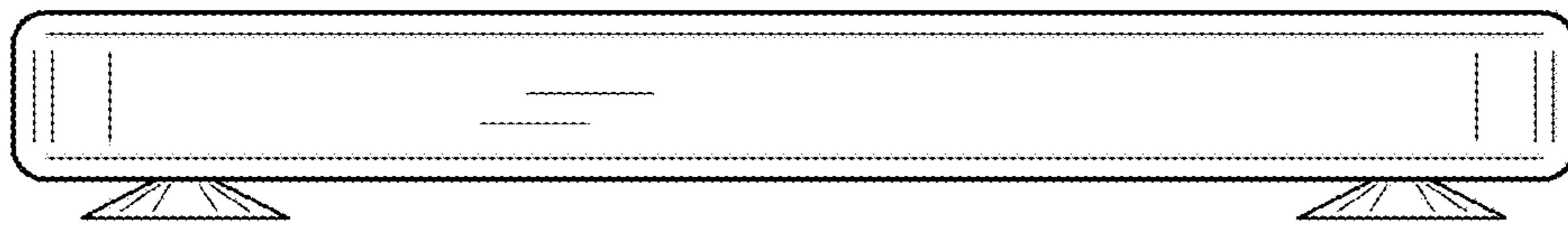


FIG. 3

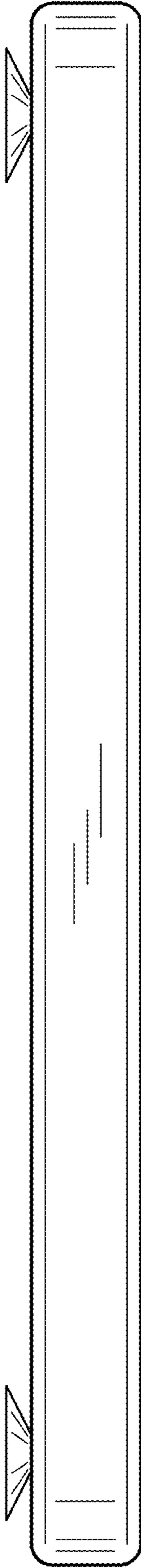


FIG. 4

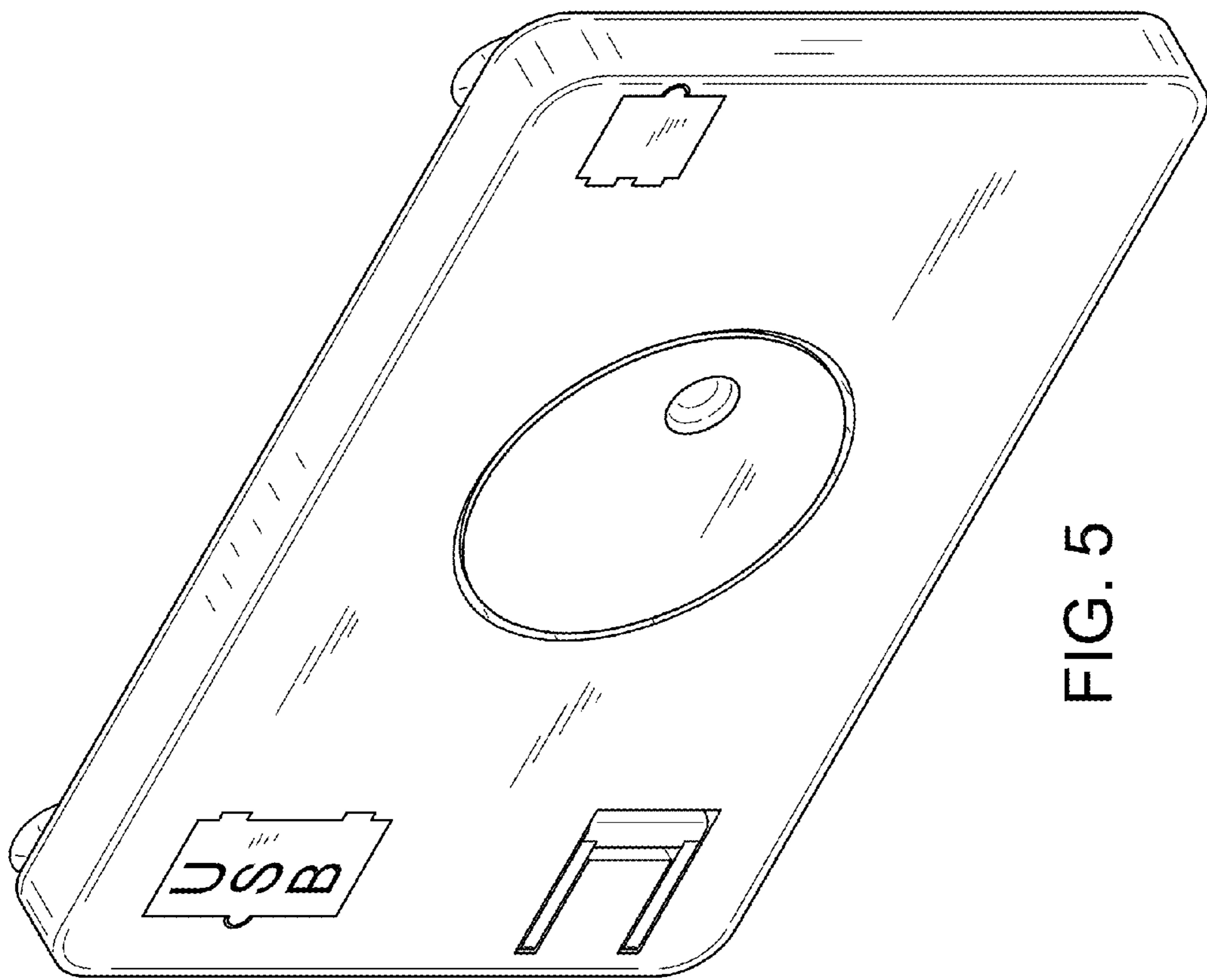


FIG. 5