



US00D817266S

(12) **United States Design Patent**
Peng et al.

(10) **Patent No.:** **US D817,266 S**
(45) **Date of Patent:** **** May 8, 2018**

(54) **BATTERY**

(71) Applicant: **SZ DJI TECHNOLOGY CO., LTD.**,
Shenzhen (CN)

(72) Inventors: **Tao Peng**, Shenzhen (CN); **Jiangang Feng**, Shenzhen (CN); **Yin Tang**,
Shenzhen (CN)

(73) Assignee: **SZ DJI Technology Co., Ltd.**,
Shenzhen (CN)

(**) Term: **15 Years**

(21) Appl. No.: **29/552,816**

(22) Filed: **Jan. 26, 2016**

(51) **LOC (11) Cl.** **13-02**

(52) **U.S. Cl.**
USPC **D13/103**

(58) **Field of Classification Search**
USPC D13/102–106, 110, 118–119, 184
CPC Y02E 60/12; Y02E 60/122; Y02E 60/124;
Y02E 60/50; H01M 2/02; H01M 2/022;
H01M 2/0202; H01M 2/0207; H01M
2/0212; H01M 2/1061; H01M 2/1022;
H01M 2/1055; H01M 2/1066; H01M
2/105; H01M 2/204; H01M 10/4257;
H01M 10/0436; H01M 10/48; H01M
10/42

See application file for complete search history.

(56) **References Cited**

U.S. PATENT DOCUMENTS

D328,888 S 8/1992 Zhu
D383,435 S 9/1997 Svetlik
D412,486 S 8/1999 Gray et al.
D432,493 S 10/2000 Killebrew et al.
D476,618 S 7/2003 Wong et al.
D481,008 S 10/2003 Wade
D483,725 S 12/2003 Thompson et al.

D488,436 S 4/2004 Wulff
D492,248 S 6/2004 Gregory et al.
D503,922 S * 4/2005 Shimizu D13/103
D515,499 S * 2/2006 Matsuda D13/103
D528,975 S 9/2006 Chi et al.
D547,264 S 7/2007 Kondo
D559,175 S 1/2008 Houghton
D576,545 S 9/2008 Mandel et al.
D592,131 S * 5/2009 Heinzen D13/103
D594,403 S * 6/2009 Yang D13/103
D604,254 S * 11/2009 Lanfear D13/162

(Continued)

FOREIGN PATENT DOCUMENTS

CN 3103794 D 2/1999
CN 300744765 D 2/2008

(Continued)

Primary Examiner — Rosemary K Tarcza

Assistant Examiner — Nathaniel D. Buckner

(74) *Attorney, Agent, or Firm* — Sterne, Kessler,
Goldstein & Fox P.L.L.C.

(57) **CLAIM**

The ornamental design for a battery, as shown and described.

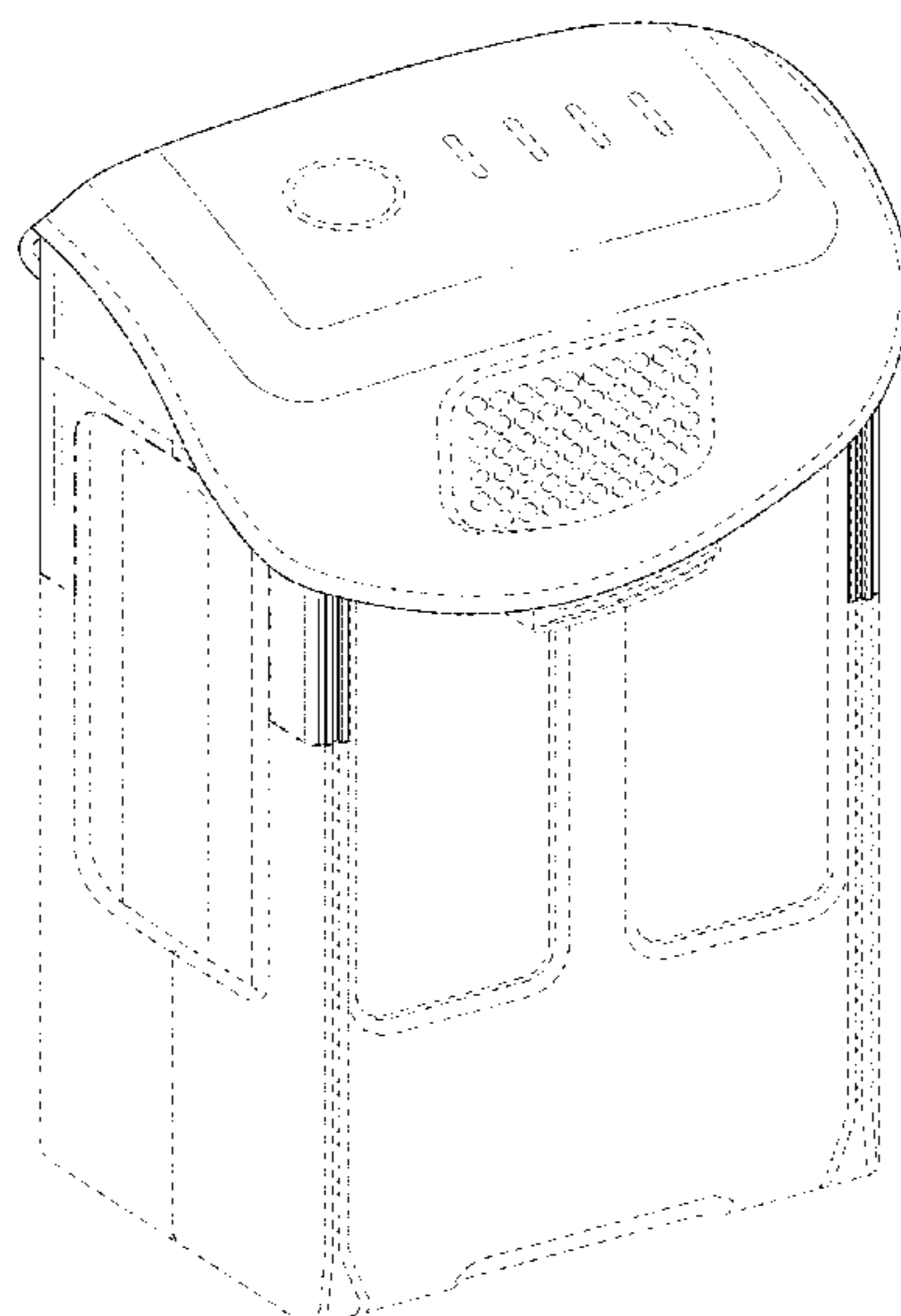
DESCRIPTION

FIG. 1 is a top front perspective view of a battery showing the claimed design;
FIG. 2 is a bottom front perspective view thereof;
FIG. 3 is a top view thereof;
FIG. 4 is a bottom view thereof;
FIG. 5 is a left side view thereof;
FIG. 6 is a right side view thereof;
FIG. 7 is a front view thereof; and,
FIG. 8 is a rear view thereof.

The broken lines in the figures show portions of the battery that form no part of the claimed design.

The dot-dash broken lines in the figures show boundaries that form no part of the claimed design.

1 Claim, 6 Drawing Sheets



(56)

References Cited

U.S. PATENT DOCUMENTS

D614,125	S	4/2010	Tinius	
D624,011	S	9/2010	Bertagnole et al.	
D631,835	S	2/2011	Neidhart	
D632,643	S	2/2011	Tanaka et al.	
D642,517	S *	8/2011	Inman	D13/103
D657,307	S	4/2012	Zhao	
D660,788	S *	5/2012	Ziring	D13/103
D663,264	S	7/2012	London	
D682,195	S	5/2013	Aglassinger	
D694,176	S	11/2013	Buetow et al.	
D699,672	S	2/2014	Kosugi et al.	
D740,222	S *	10/2015	Tang	D13/103
9,565,782	B2 *	2/2017	Alexander	H05K 7/1455
D788,625	S *	6/2017	Hsieh	D10/106.6
2008/0003494	A1	1/2008	Rejman	
2010/0221584	A1 *	9/2010	Reber	H01M 2/1022 429/7
2014/0049208	A1	2/2014	Carkner et al.	

FOREIGN PATENT DOCUMENTS

CN	302735703	S	2/2014
CN	303256554	S	6/2015
CN	303347409	S	8/2015
CN	303478787	S	12/2015
CN	303478796	S	12/2015
JP	D1535878		10/2015
KR	30-0599097		5/2011

* cited by examiner

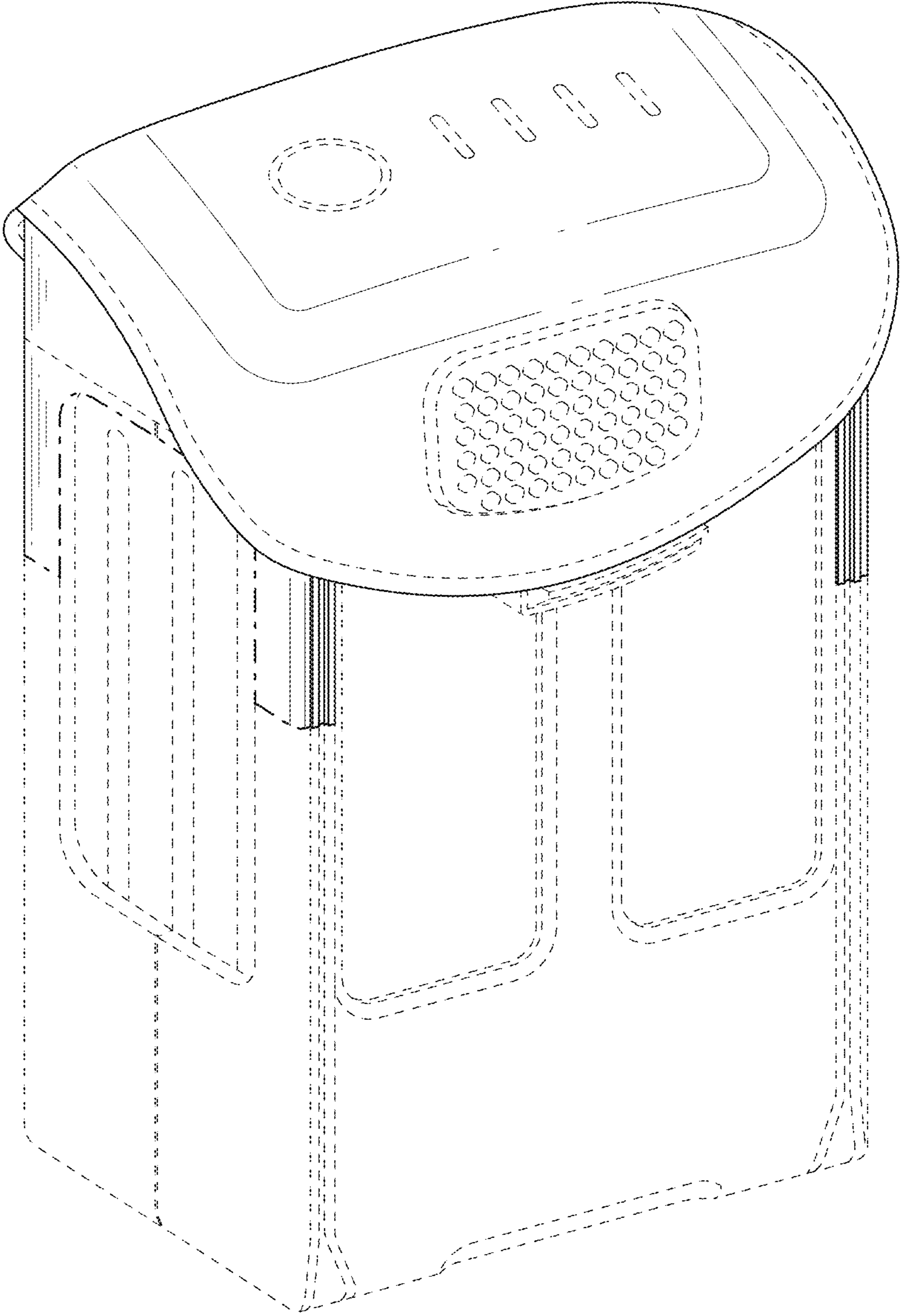


FIG. 1

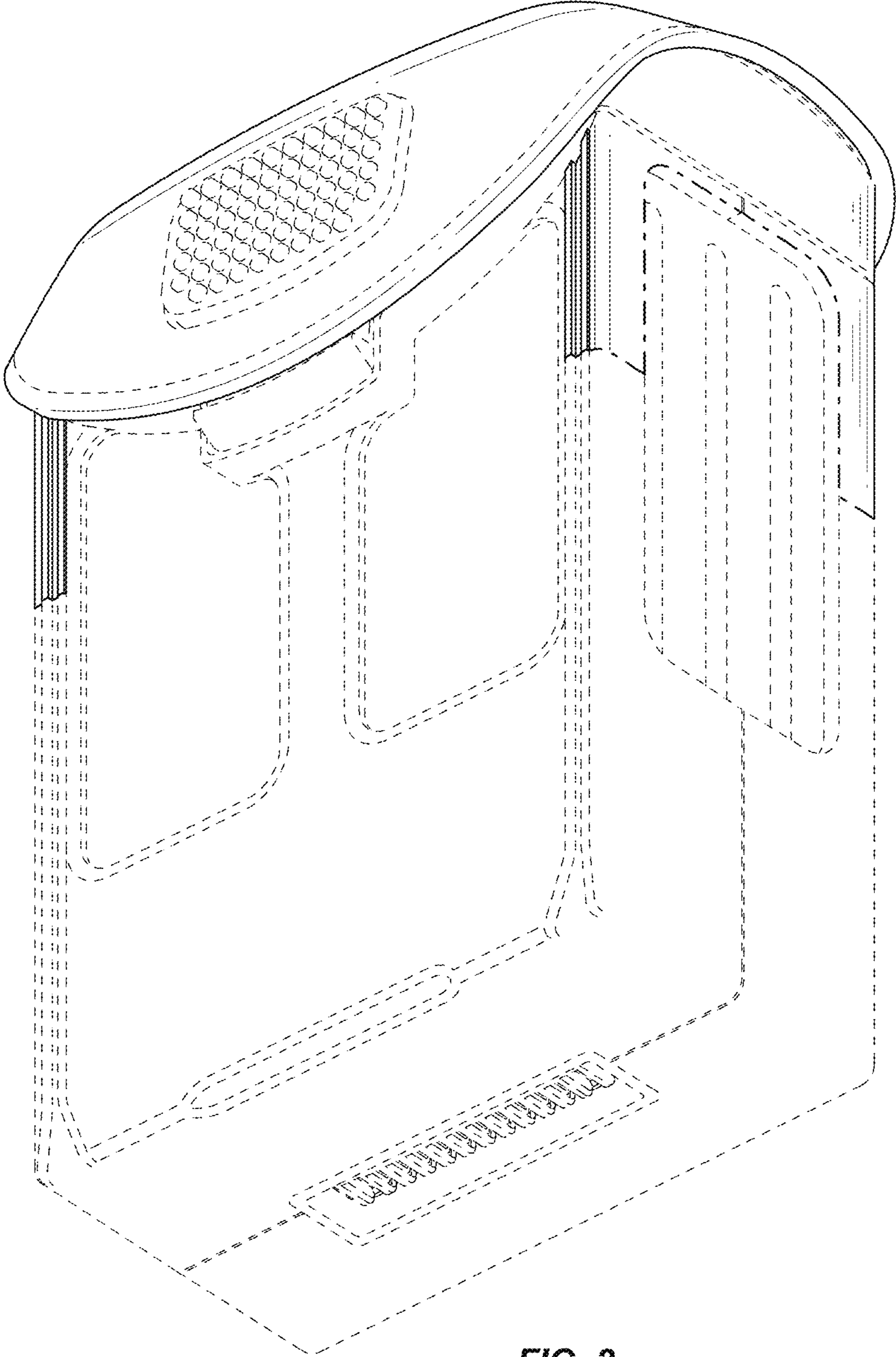


FIG. 2

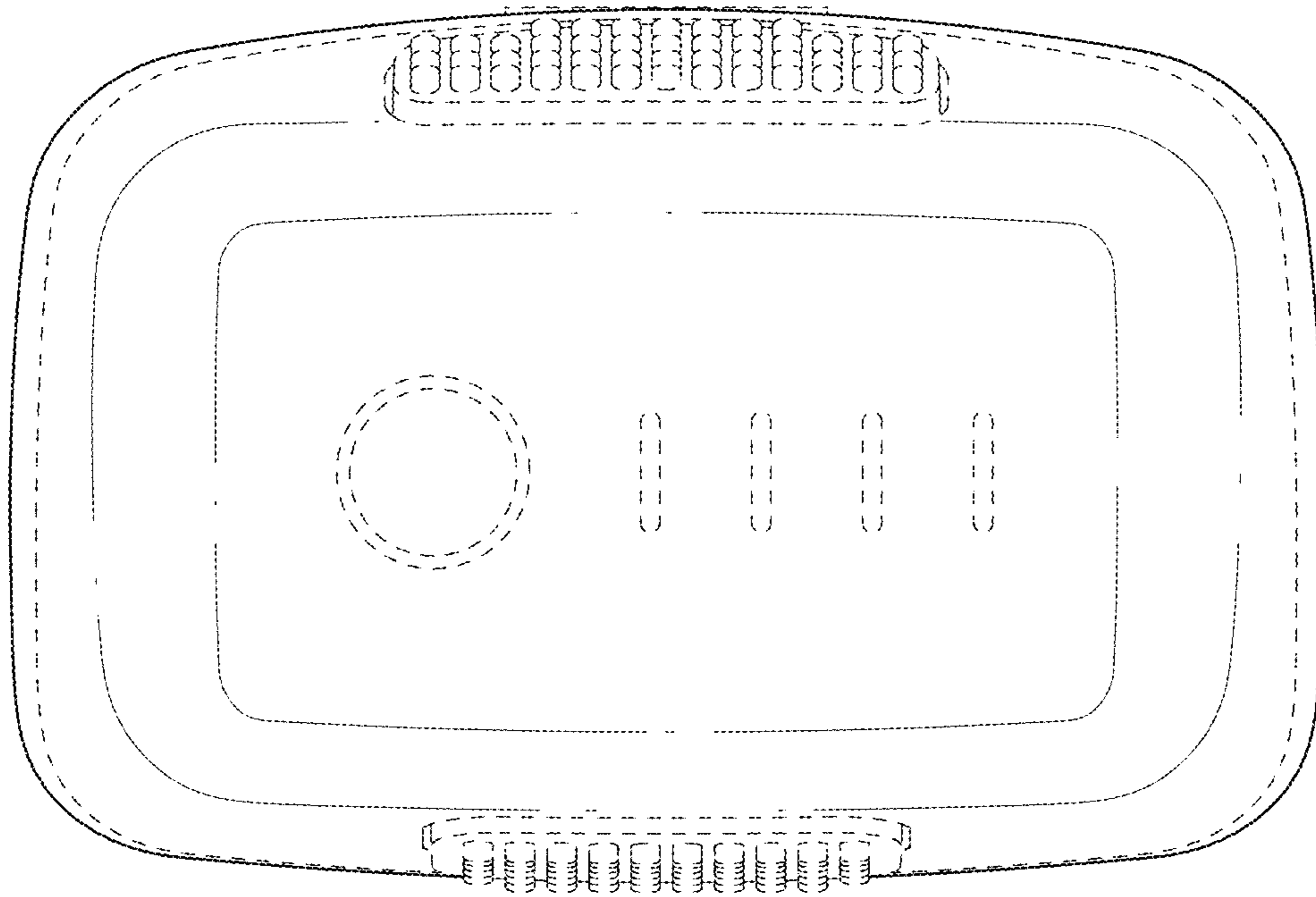


FIG. 3

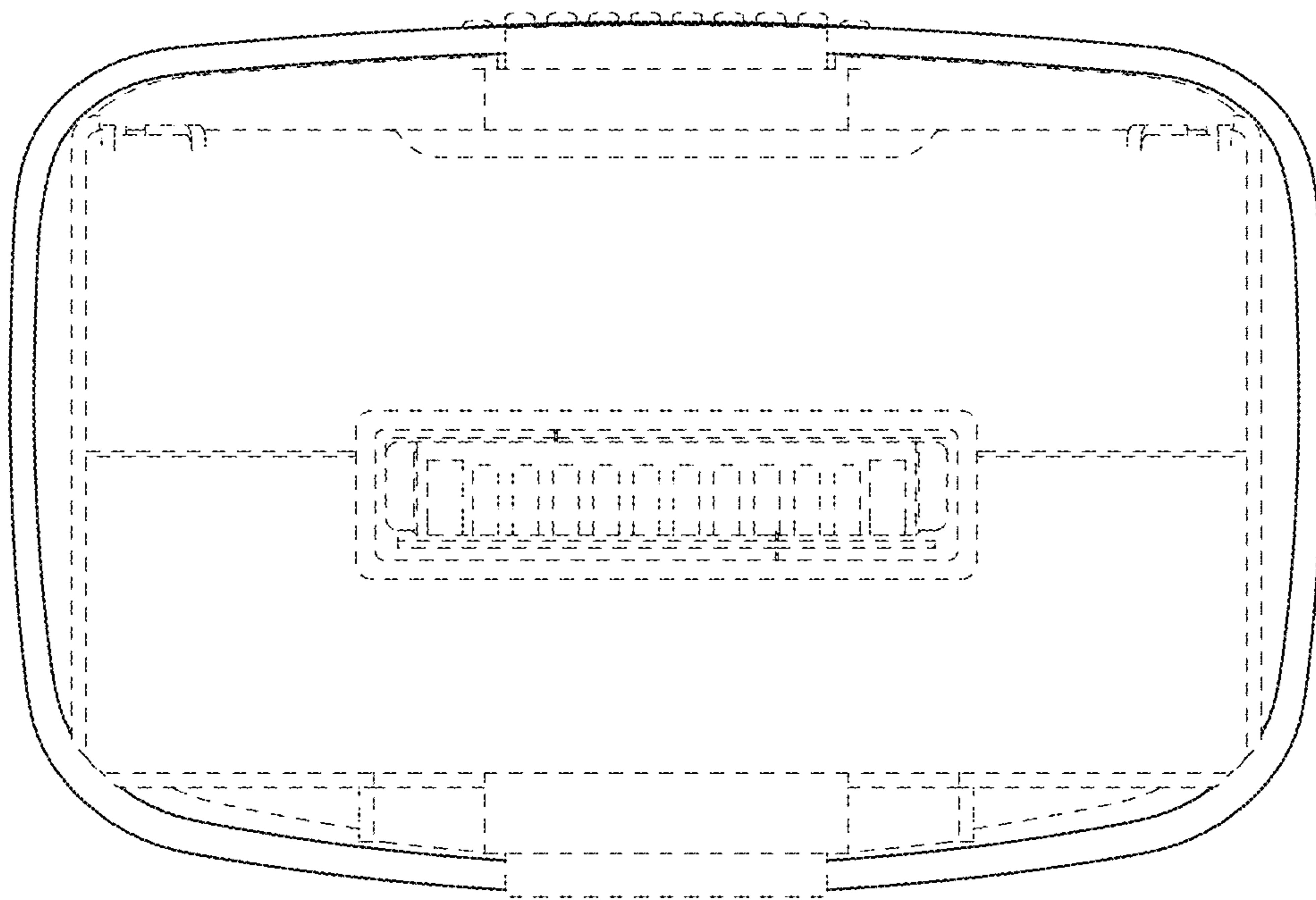


FIG. 4

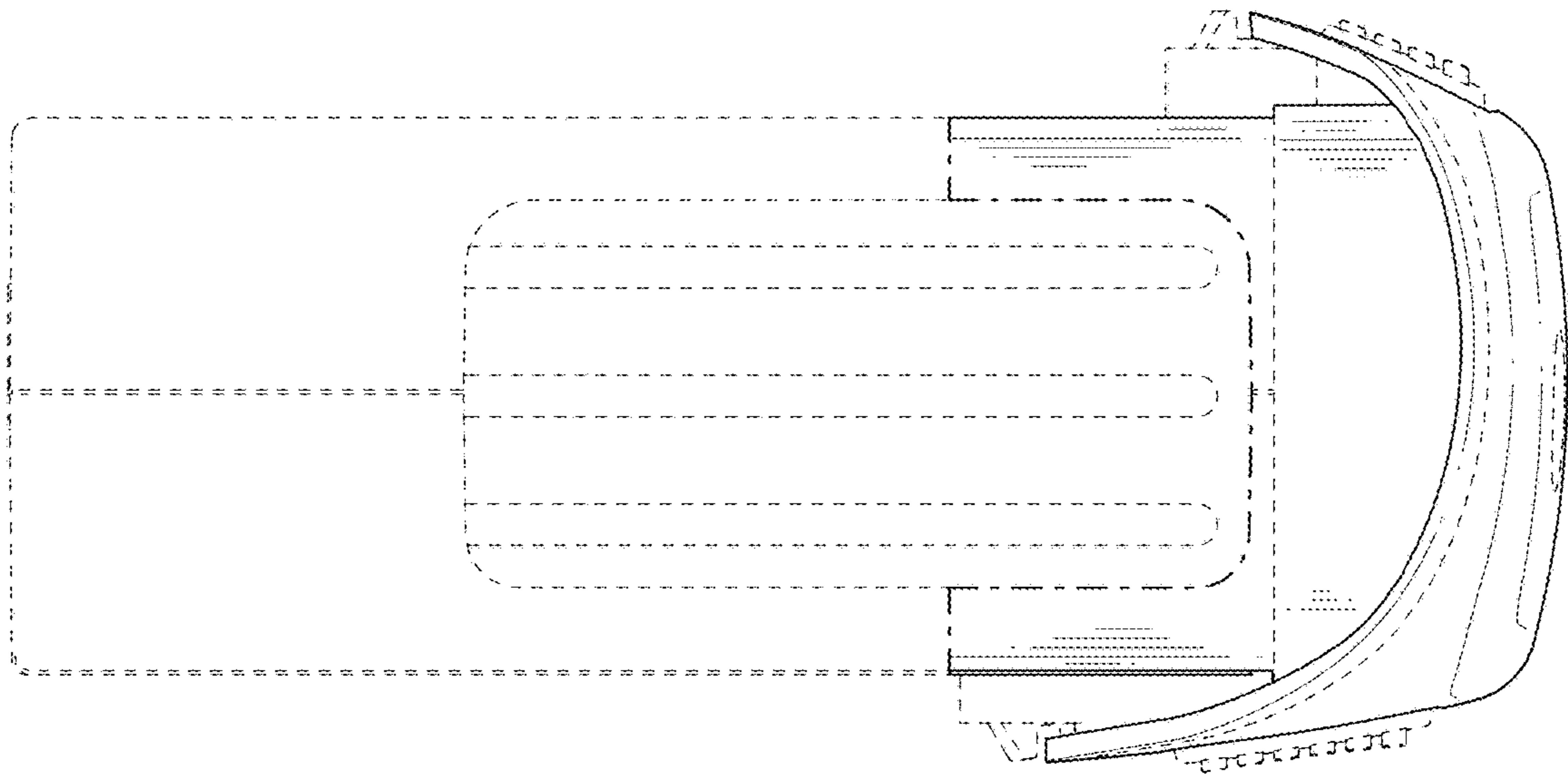


FIG. 5

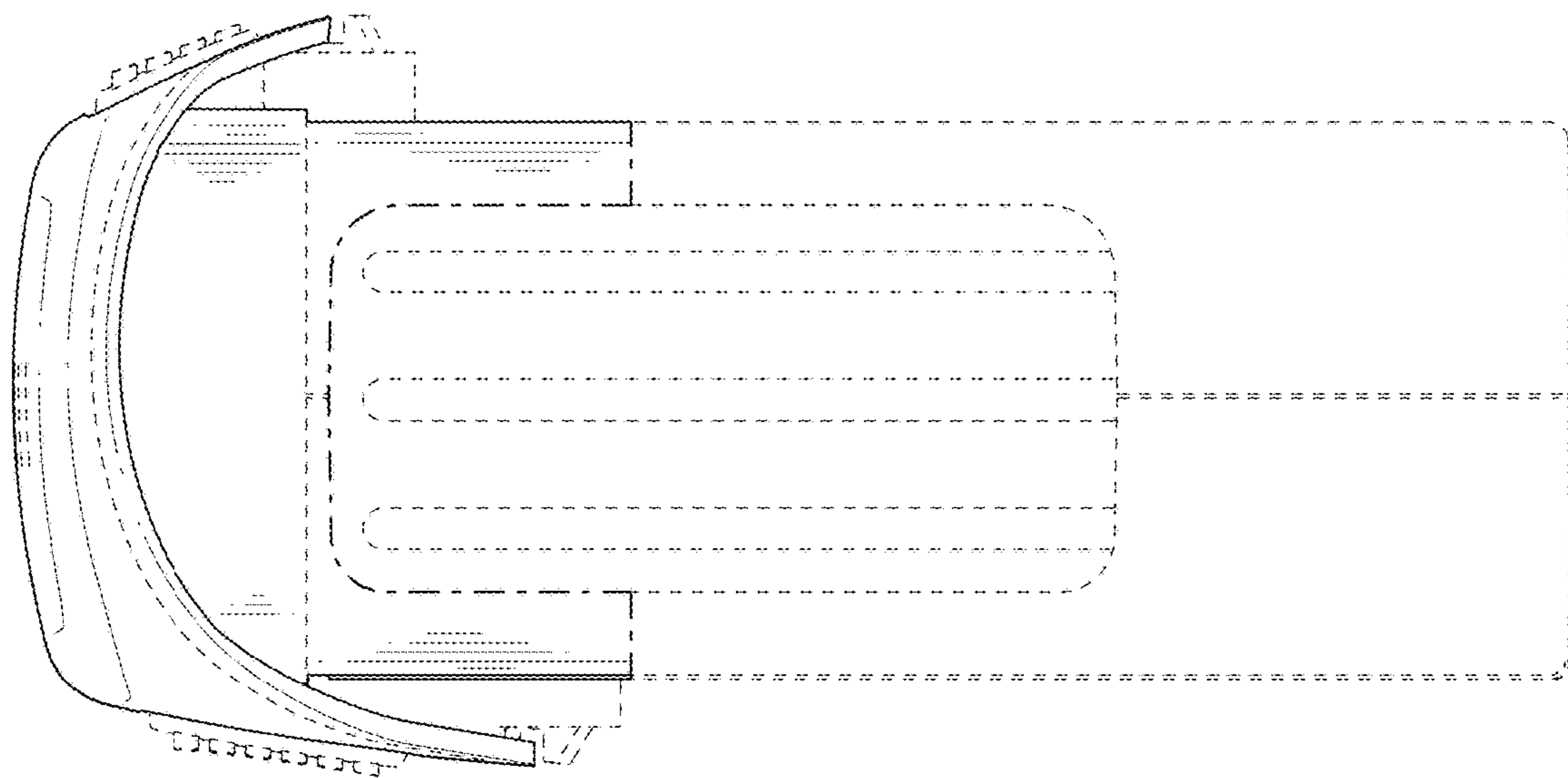


FIG. 6

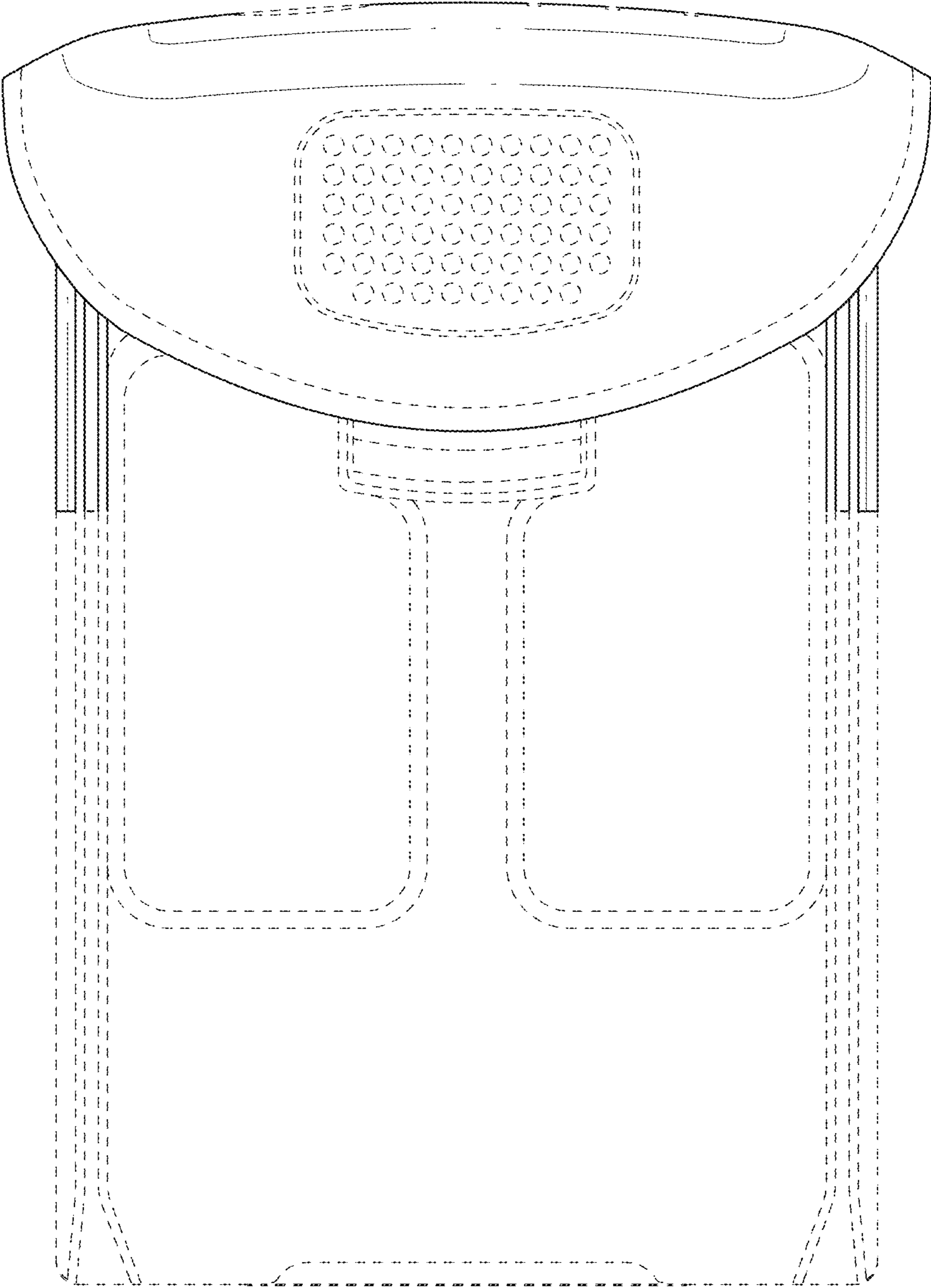


FIG. 7

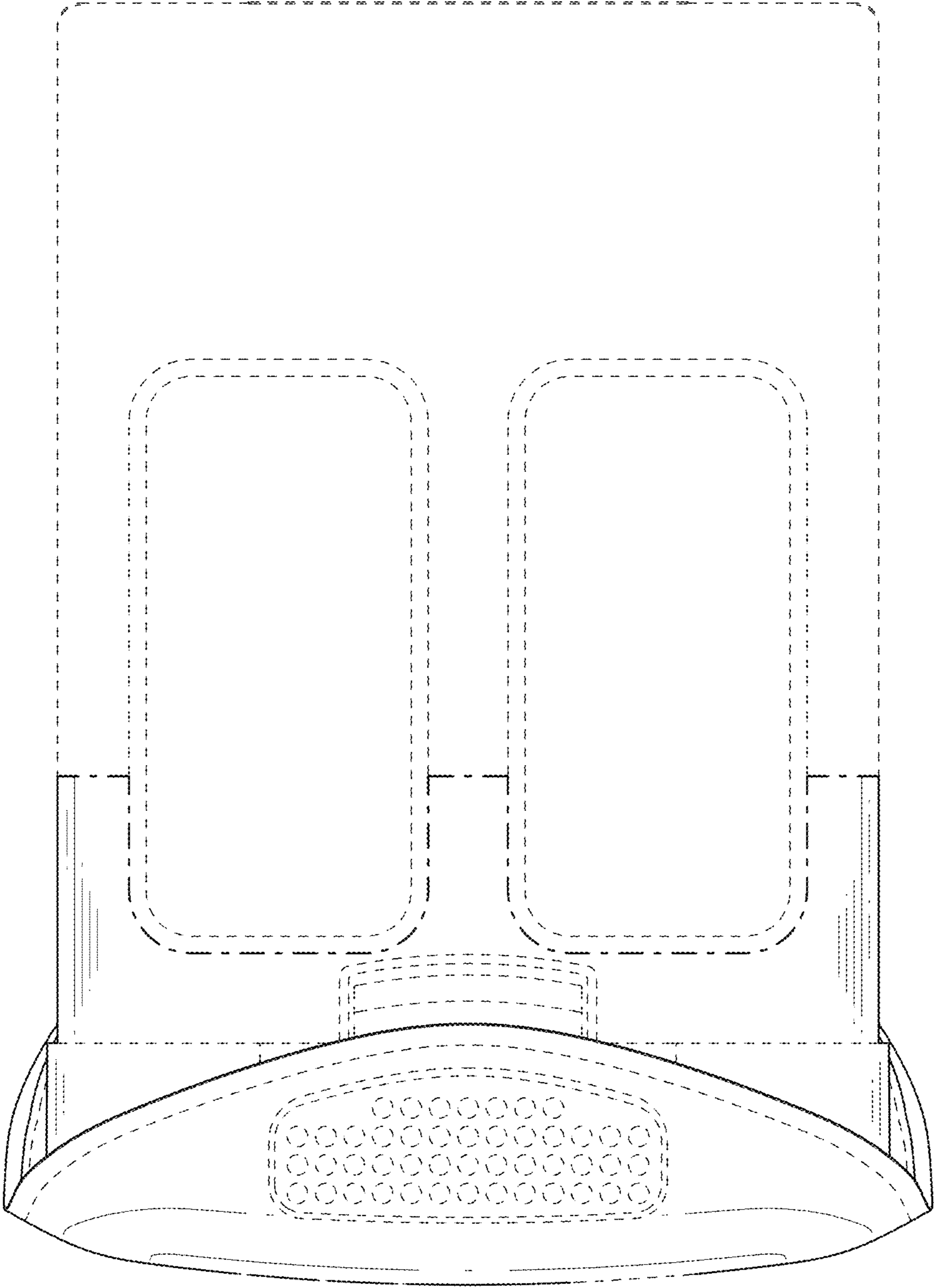


FIG. 8