



US00D817261S

(12) **United States Design Patent** (10) **Patent No.:** **US D817,261 S**
Becker et al. (45) **Date of Patent:** **** May 8, 2018**

(54) **TIRE**
(71) Applicant: **The Goodyear Tire & Rubber Company, Akron, OH (US)**
(72) Inventors: **Marc Becker, Trier (DE); Mohammad Ahmad Saghier, Dubai (AE)**
(73) Assignee: **The Goodyear Tire & Rubber Company, Akron, OH (US)**
(**) Term: **15 Years**
(21) Appl. No.: **29/595,644**
(22) Filed: **Mar. 1, 2017**
(51) **LOC (11) Cl.** **12-15**
(52) **U.S. Cl.**
USPC **D12/553**
(58) **Field of Classification Search**
USPC D12/533-567
CPC B60C 11/0302; B60C 2011/0386; B60C 2011/0388
See application file for complete search history.

D534,858 S * 1/2007 Le D12/553
D556,125 S 11/2007 Blackiston et al. D12/598
D584,217 S 1/2009 Scheuren et al. D12/549
D586,730 S * 2/2009 Scheuren D12/553
D588,984 S 3/2009 Lee D12/588
D601,950 S 10/2009 Pressley et al. D12/588

(Continued)

Primary Examiner — George D. Kirschbaum
Assistant Examiner — Joseph J Kukella
(74) *Attorney, Agent, or Firm* — Robert N. Lipsik

(57) **CLAIM**

The ornamental design for a tire, as shown and described.

DESCRIPTION

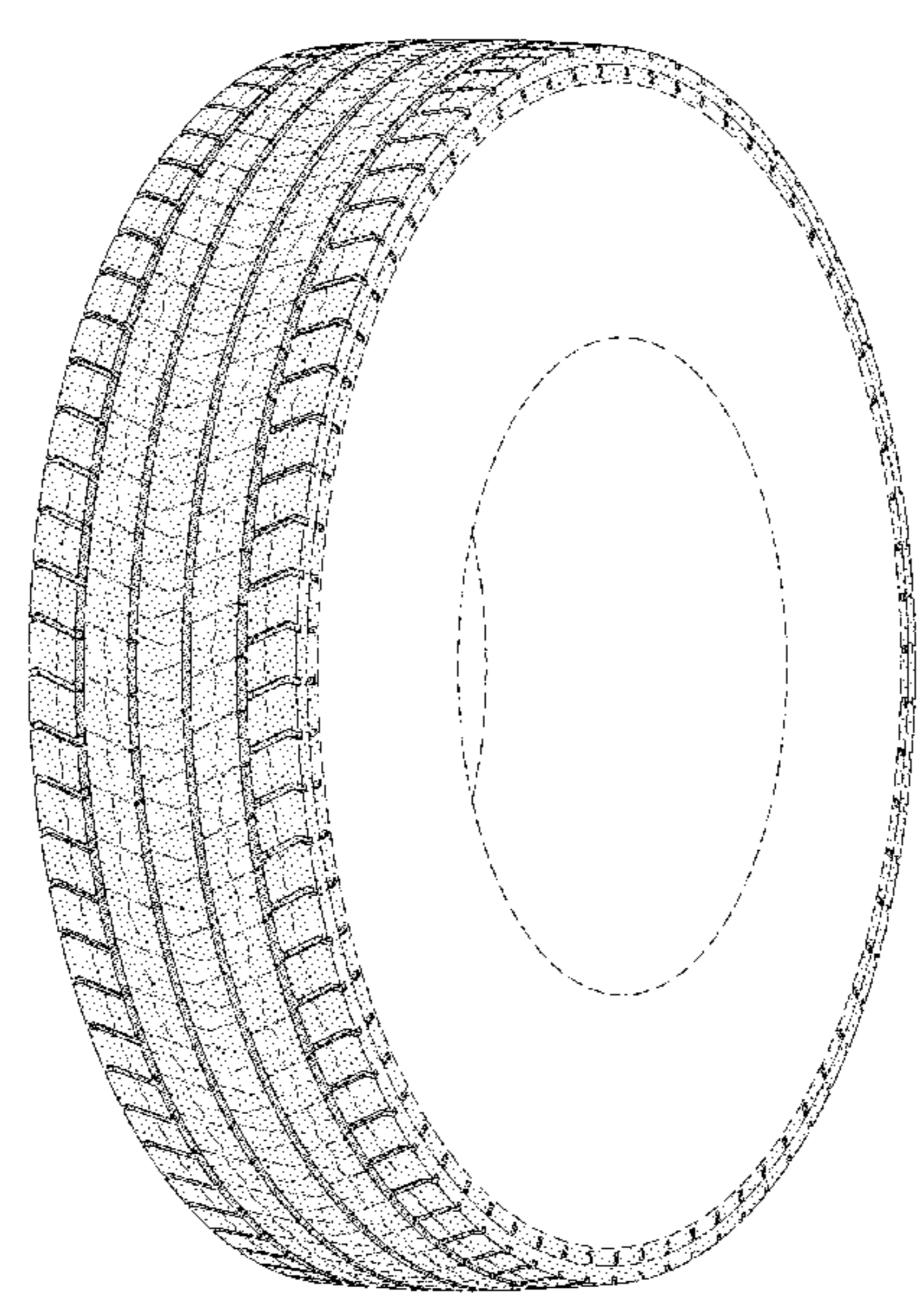
FIG. 1 is a perspective view of a tire showing our new design, it being understood that the pattern repeats uniformly throughout the circumference of the tread;
FIG. 2 is a front elevational view thereof;
FIG. 3 is a right side elevational view thereof; the left side elevational view being identical thereto;
FIG. 4 is an enlarged fragmentary front elevational view thereof;
FIG. 5 is a perspective view of a second embodiment of a tire showing our new design, it being understood that the interior of the tire forms no part of the claim, that the pattern repeats uniformly throughout the circumference of the tread and that the opposite side view is identical thereto; and,
FIG. 6 is a front elevational view of a second embodiment, it being understood that an enlarged fragmentary view thereof would be substantially identical to that shown in FIG. 4, with the exception of the inclusion of the sidewall in solid lines.
In the drawings, the broken lines immediately adjacent to the outer edges of the tire shoulder represent boundaries of the claim, and the broken lines depict environmental subject matter only and form no part of the claimed design.

1 Claim, 6 Drawing Sheets

(56) **References Cited**

U.S. PATENT DOCUMENTS

D287,236 S * 12/1986 Yonekura D12/543
D301,132 S * 5/1989 Himuro D12/553
D348,863 S * 7/1994 Narabayashi D12/553
D383,712 S 9/1997 Scheuren et al. D12/143
D384,613 S 10/1997 Le et al. D12/146
D385,234 S * 10/1997 Young D12/553
D392,605 S 3/1998 Le et al. D12/146
D423,419 S * 4/2000 Kemp, Jr. D12/553
D461,162 S 8/2002 Young et al. D12/595
D473,843 S 4/2003 Le et al. D12/600
D492,245 S * 6/2004 Iga D12/553
D504,865 S * 5/2005 Maziarka D12/521
D528,500 S 9/2006 Le et al. D12/600
D533,498 S 12/2006 Scheuren et al. D12/588



(56)

References Cited

U.S. PATENT DOCUMENTS

D609,169 S	2/2010	Feider	D12/588
D626,501 S	11/2010	Cazin-Bourguignon et al.	D12/600
D627,707 S	11/2010	Le et al.	D12/566
D628,955 S	12/2010	Toumni et al.	D12/588
D648,264 S	11/2011	Le et al.	D12/588
D666,965 S *	9/2012	Aoki	D12/553
D702,180 S	4/2014	Le et al.	D12/588
D710,294 S	8/2014	Dixon et al.	D12/588
D736,695 S	8/2015	Dixon et al.	D12/594
D770,371 S	11/2016	Mathonet et al.	D12/601
D776,608 S	1/2017	Kristen et al.	D12/601
D784,247 S *	4/2017	Zhu	D12/553

* cited by examiner

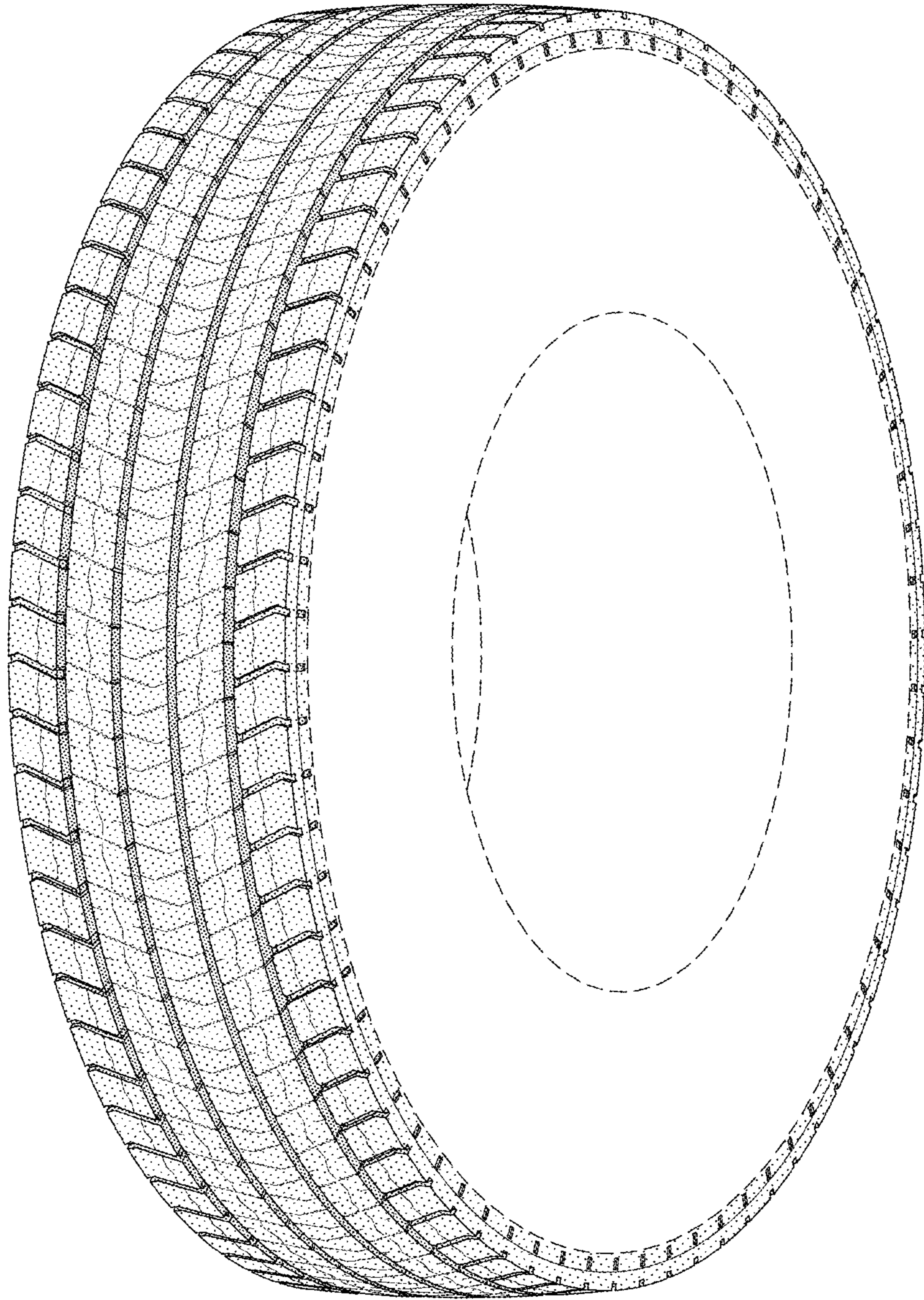


FIG-1

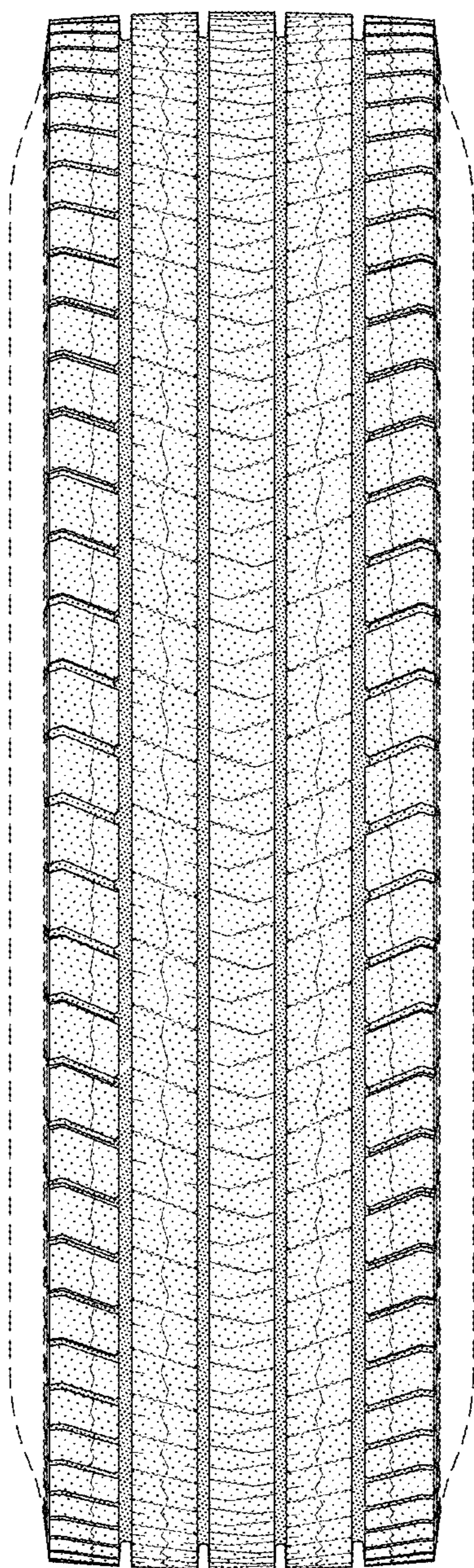


FIG-2

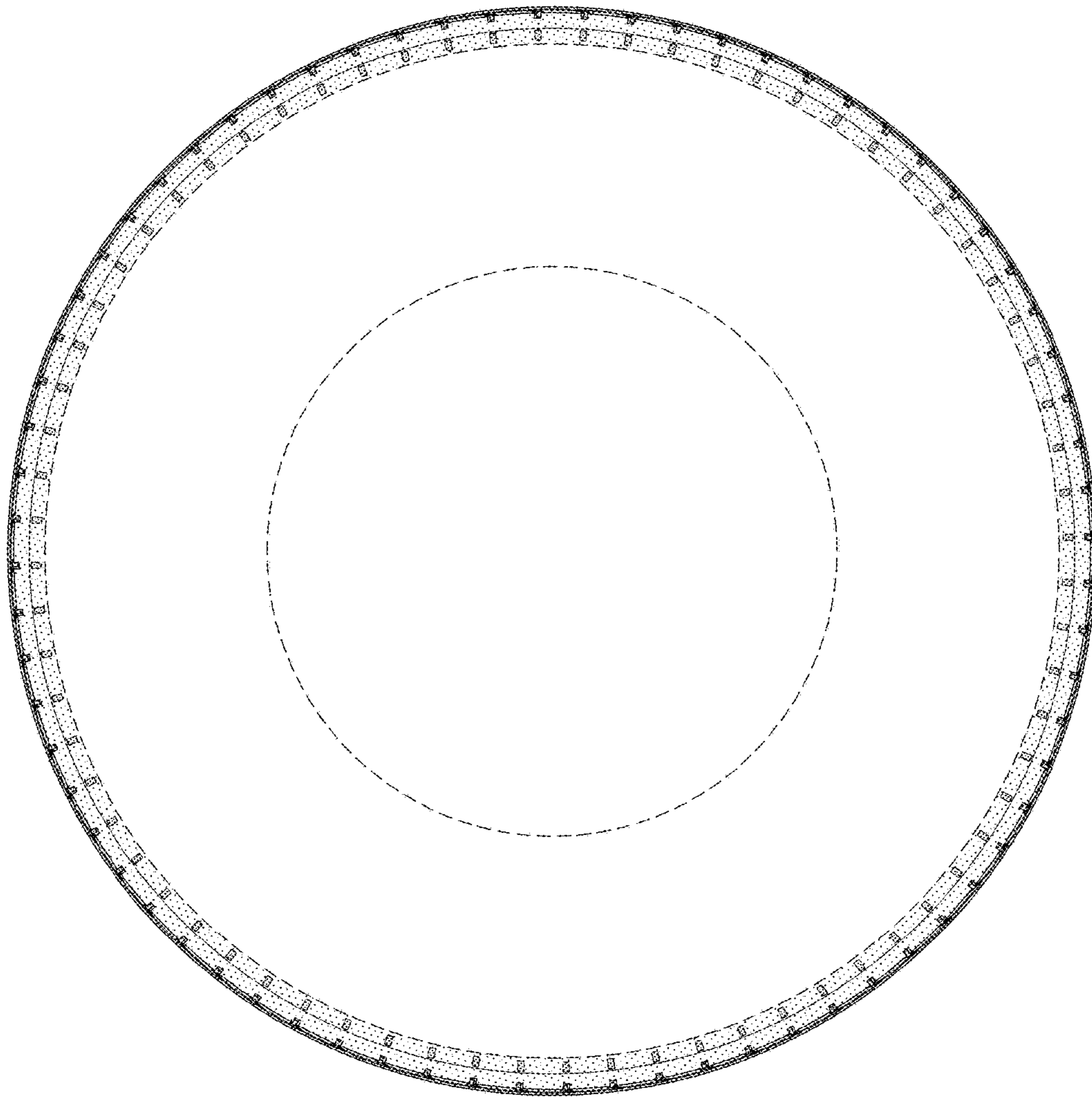


FIG-3

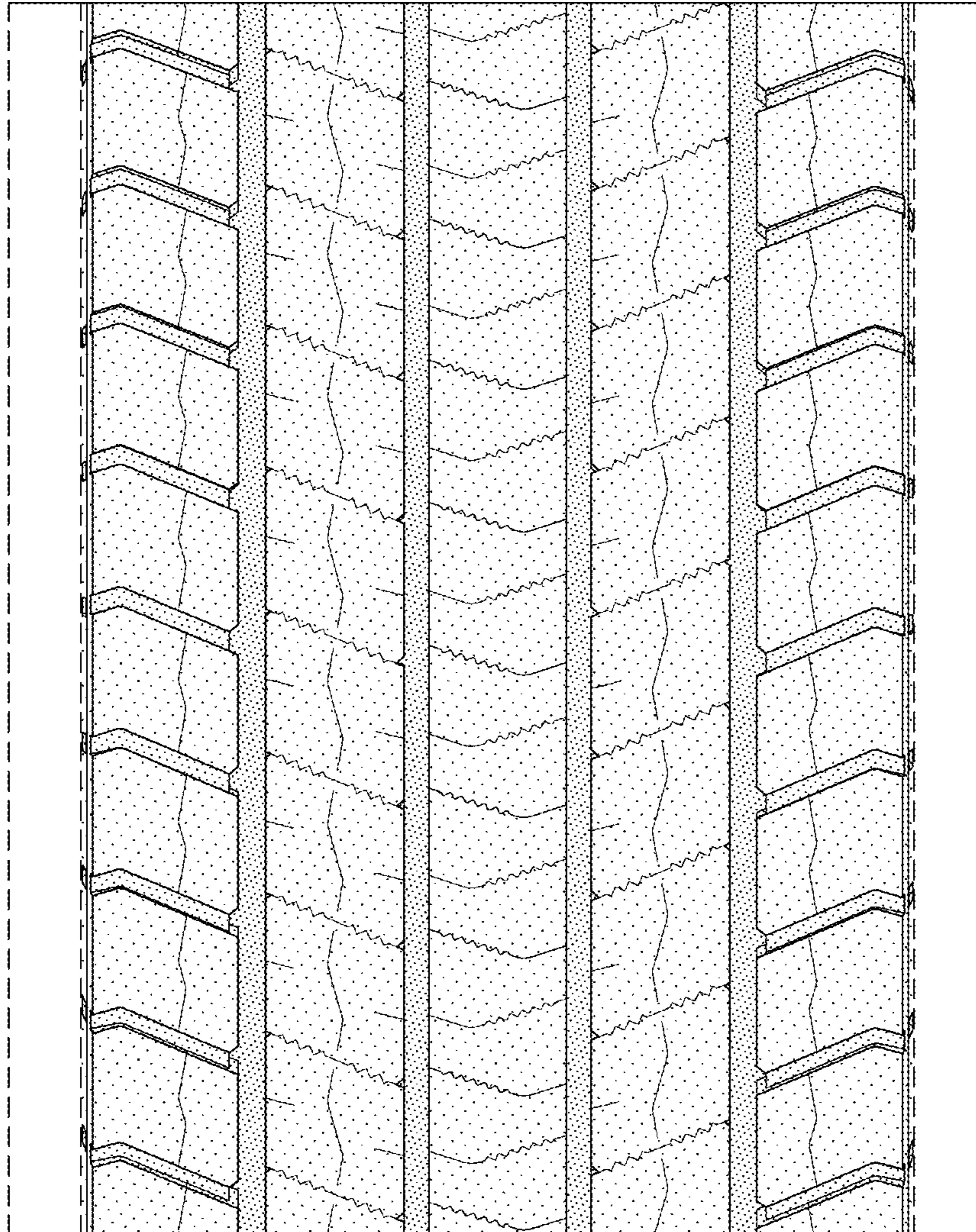


FIG-4

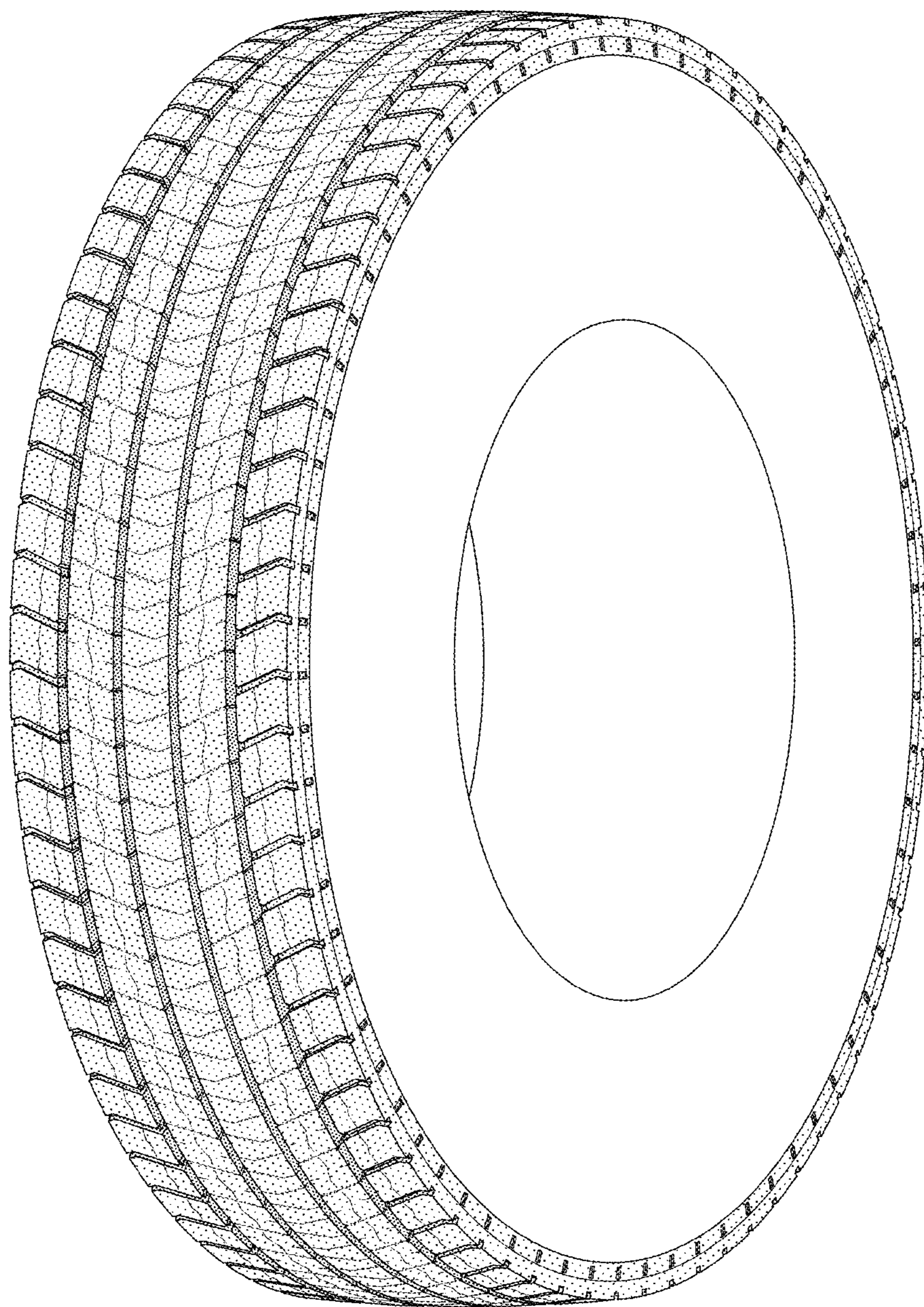


FIG-5

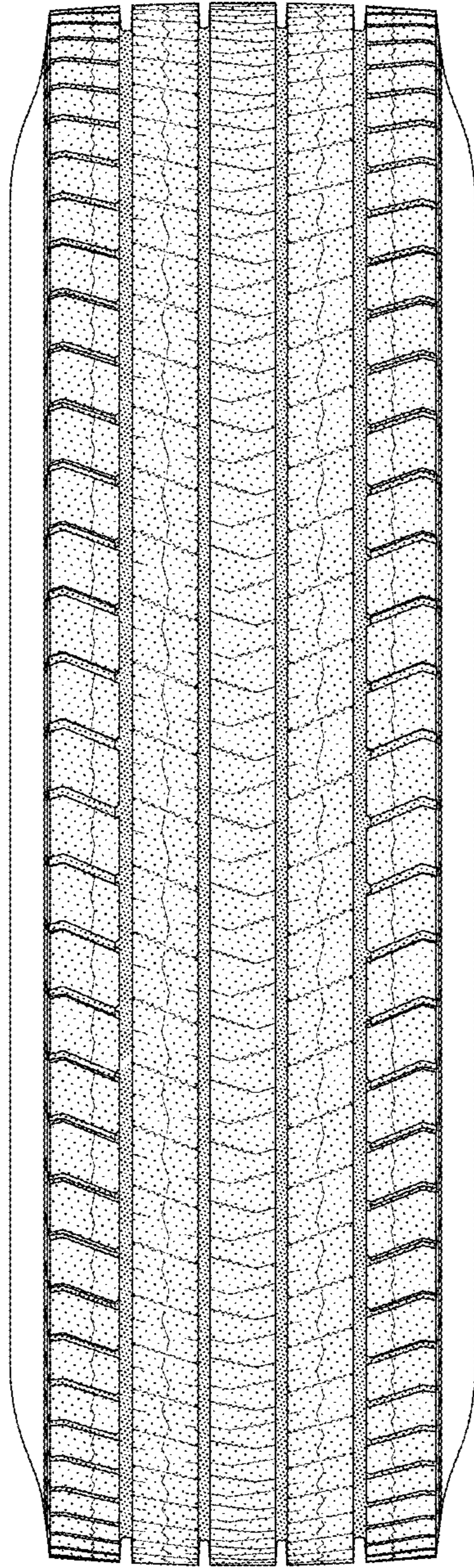


FIG-6