



US00D817257S

(12) **United States Design Patent**
Lampkin et al.

(10) **Patent No.:** **US D817,257 S**

(45) **Date of Patent:** **** May 8, 2018**

- (54) **VEHICLE DISPLAY AND MOUNT**
- (71) Applicant: **Tesla Motors, Inc.**, Palo Alto, CA (US)
- (72) Inventors: **Ivan Lampkin**, Redondo Beach, CA (US); **Peter Blades-Nixon**, Long Beach, CA (US); **Caroline Park**, Playa Del Rey, CA (US); **Franz Von Holzhausen**, Malibu, CA (US)
- (73) Assignee: **Tesla, Inc.**, Palo Alto, CA (US)
- (**) Term: **15 Years**
- (21) Appl. No.: **29/559,712**
- (22) Filed: **Mar. 30, 2016**
- (51) **LOC (11) Cl.** **12-16**
- (52) **U.S. Cl.**
USPC **D12/415**
- (58) **Field of Classification Search**
USPC D12/415-420, 400, 195, 191, 106, 345, D12/96, 99
CPC B60R 7/06
See application file for complete search history.

- 6,616,206 B2 * 9/2003 Luginbill B60N 2/4646
224/539
- D568,232 S * 5/2008 Motozaki D12/421
- D724,521 S * 3/2015 Ashley D12/419
- D725,583 S * 3/2015 Seki D12/419
- 9,199,579 B2 * 12/2015 Gillis B60R 7/04
- D766,811 S * 9/2016 Shouno D12/419
- D766,812 S * 9/2016 Kabata D12/423
- D770,968 S * 11/2016 Willis D12/415

* cited by examiner

Primary Examiner — Katrina A Betton

(74) *Attorney, Agent, or Firm* — Garlick & Markison;
Bruce E. Garlick

(57) **CLAIM**

The ornamental design for a vehicle display and mount, as shown and described.

DESCRIPTION

FIG. 1 shows a perspective view of a vehicle display and mount.

FIG. 2 is a top view thereof.

FIG. 3 is a bottom view thereof; and,

FIG. 4 is another perspective view thereof.

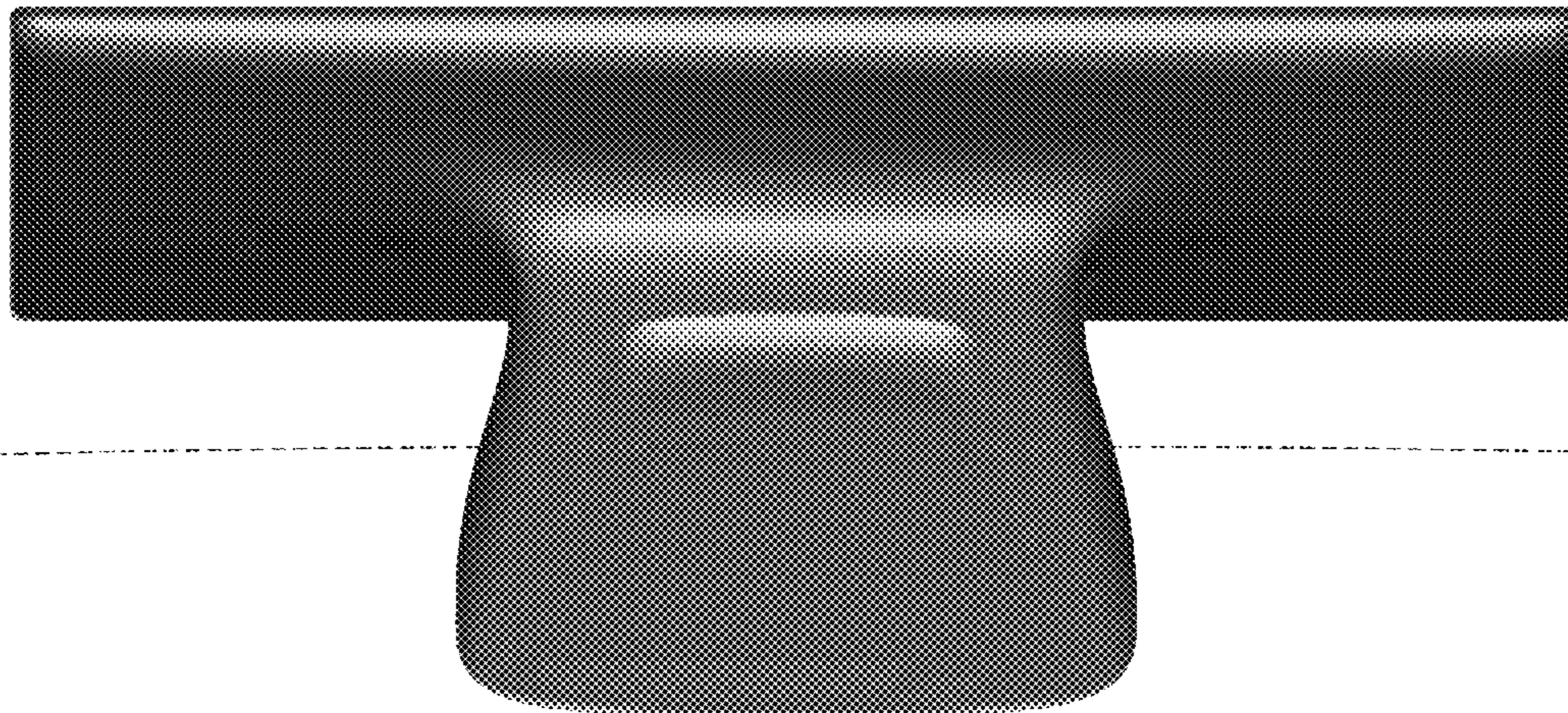
The ornamental design is the vehicle display and mount. The instrument panel on which the vehicle display and mount is affixed is for illustrative purposes only and forms no part of the claimed design.

(56) **References Cited**

U.S. PATENT DOCUMENTS

- D359,266 S * 6/1995 Karp D12/419
- D448,720 S * 10/2001 Nash D12/192

1 Claim, 4 Drawing Sheets



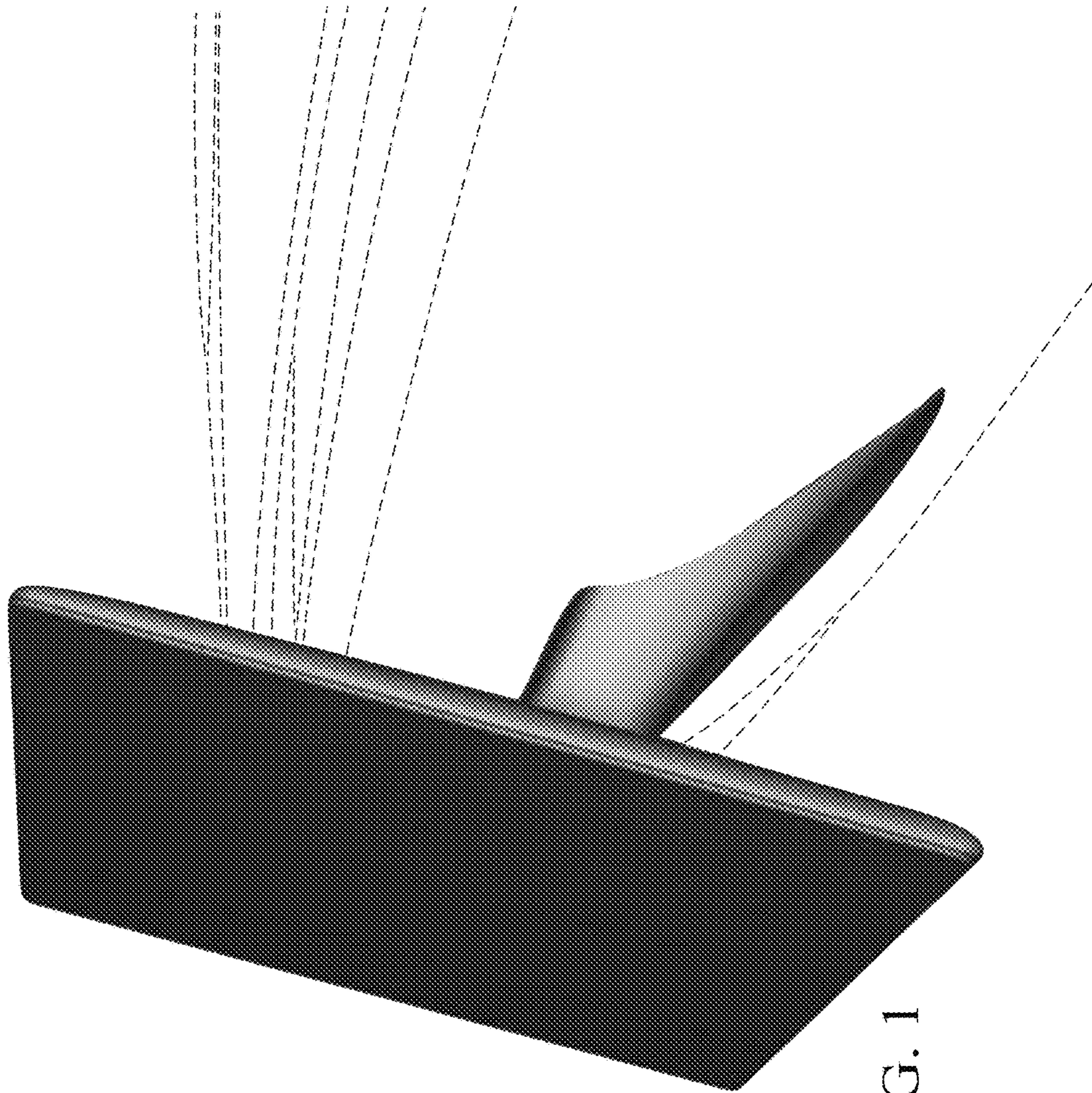


FIG. 1

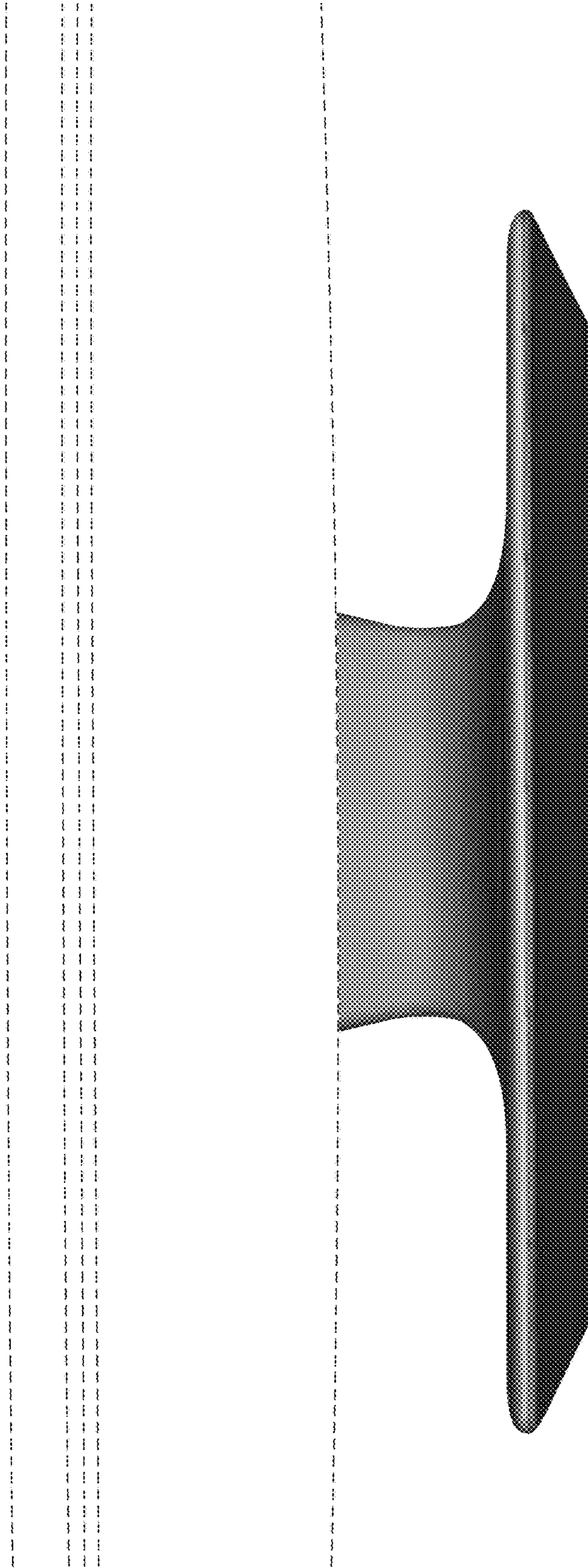


FIG. 2

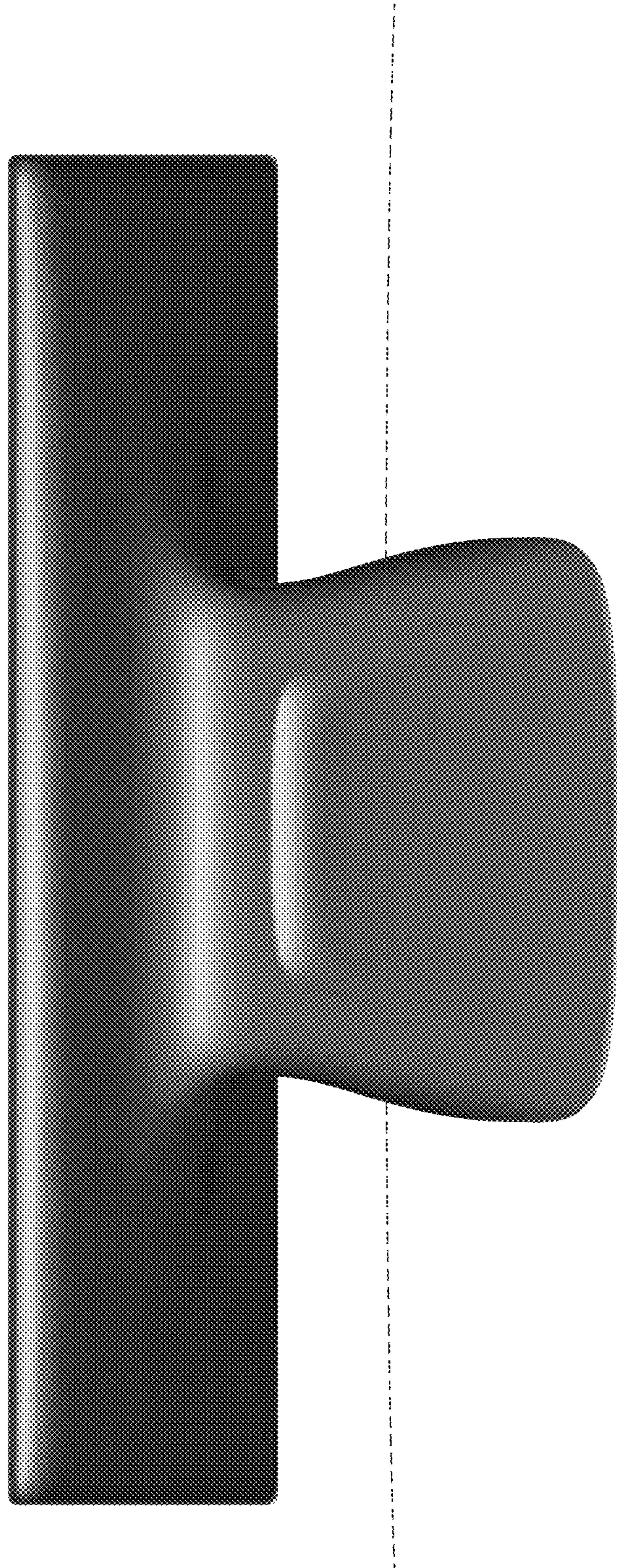


FIG. 3

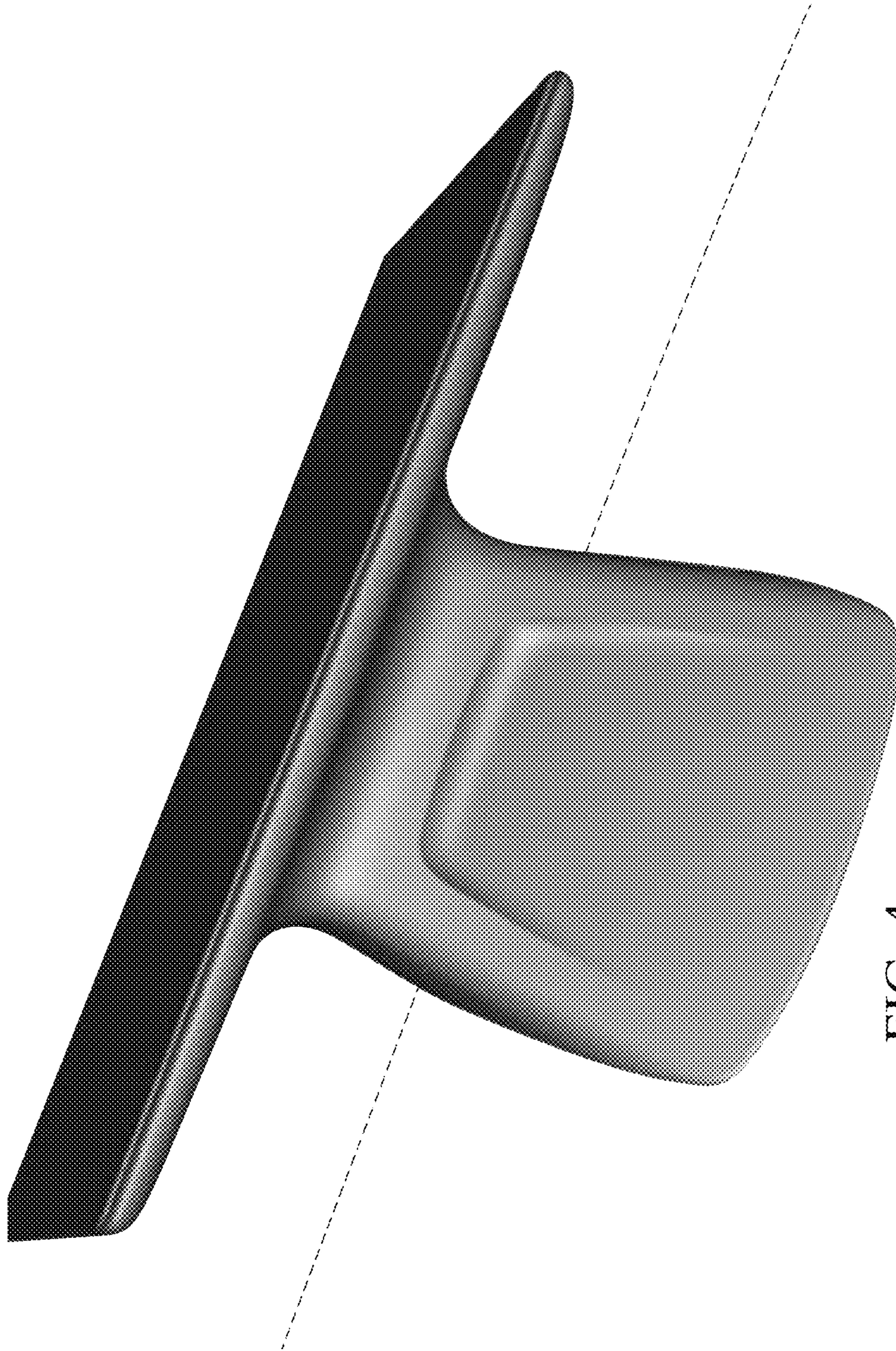


FIG. 4