



US00D817256S

(12) **United States Design Patent** (10) **Patent No.:** **US D817,256 S**  
**Adler et al.** (45) **Date of Patent:** **\*\* May 8, 2018**

(54) **CARRIER**

(71) Applicant: **Thule Sweden AB**, Hillerstorp (SE)

(72) Inventors: **Jan Adler**, Jönköping (SE); **Henrik Eriksson**, Jönköping (SE); **Keith Prescott**, Cambridge, VT (US); **Jeffrey Edgerly**, Bristol, CT (US)

(73) Assignee: **Thule Sweden AB**, Hillerstorp (SE)

(\*\*) Term: **15 Years**

(21) Appl. No.: **29/534,820**

(22) Filed: **Jul. 31, 2015**

(51) **LOC (11) Cl.** ..... **12-16**

(52) **U.S. Cl.**

USPC ..... **D12/408**

(58) **Field of Classification Search**

USPC ..... D12/111, 406, 407, 408, 412, 414

CPC ..... B60R 9/06; B60R 9/10; B60R 11/00

See application file for complete search history.

(56) **References Cited**

**U.S. PATENT DOCUMENTS**

D329,035 S *	9/1992	Blackburn	.....	D12/408
5,690,260 A *	11/1997	Aikins	.....	B60R 9/06 224/504
D628,141 S *	11/2010	Weaver	.....	D12/408
D637,137 S *	5/2011	Weaver	.....	D12/408
D656,080 S *	3/2012	Budd	.....	D12/408
D658,567 S *	5/2012	Shen	.....	D12/408
D671,883 S *	12/2012	Farber	.....	D12/408
D684,917 S *	6/2013	Williams	.....	D12/408
D706,209 S *	6/2014	Flaherty	.....	D12/407
D707,617 S *	6/2014	Flaherty	.....	D12/407
D717,717 S *	11/2014	Williams	.....	B60R 9/10 D12/408
D722,289 S *	2/2015	Williams	.....	D12/408
D727,831 S *	4/2015	Eriksson	.....	D12/407
D743,871 S *	11/2015	Freet	.....	D12/408

9,174,584 B1 *	11/2015	Cha	.....	B60R 9/10
2012/0234883 A1 *	9/2012	Sautter	.....	B60R 9/06 224/502
2013/0062385 A1 *	3/2013	Pedrini	.....	B60R 9/06 224/501
2013/0105534 A1 *	5/2013	Farber	.....	B60R 9/06 224/314
2014/0125045 A1 *	5/2014	Nusbaum	.....	B60R 9/06 280/769
2016/0096482 A1 *	4/2016	Cha	.....	B60R 9/06 224/496
2016/0096483 A1 *	4/2016	Cha	.....	B60R 9/06 224/496

**OTHER PUBLICATIONS**

Thule.com, "Thule T2 2 Bike 916XTR," <[http://web.archive.org/web/20130703110705/http://www.thule.com/en-us/ca/products/carriers-and-racks/bike-carriers/hitch-mounted-bike-carriers/thule-t2-2-bike-916xtr\\_-916xtr](http://web.archive.org/web/20130703110705/http://www.thule.com/en-us/ca/products/carriers-and-racks/bike-carriers/hitch-mounted-bike-carriers/thule-t2-2-bike-916xtr_-916xtr)>, dated Jul. 3, 2013.

U.S. Appl. No. 62/048,264, filed Sep. 10, 2014; Prescott et al.

\* cited by examiner

*Primary Examiner* — Darlington Ly

(74) *Attorney, Agent, or Firm* — Sterne, Kessler, Goldstein & Fox P.L.L.C.

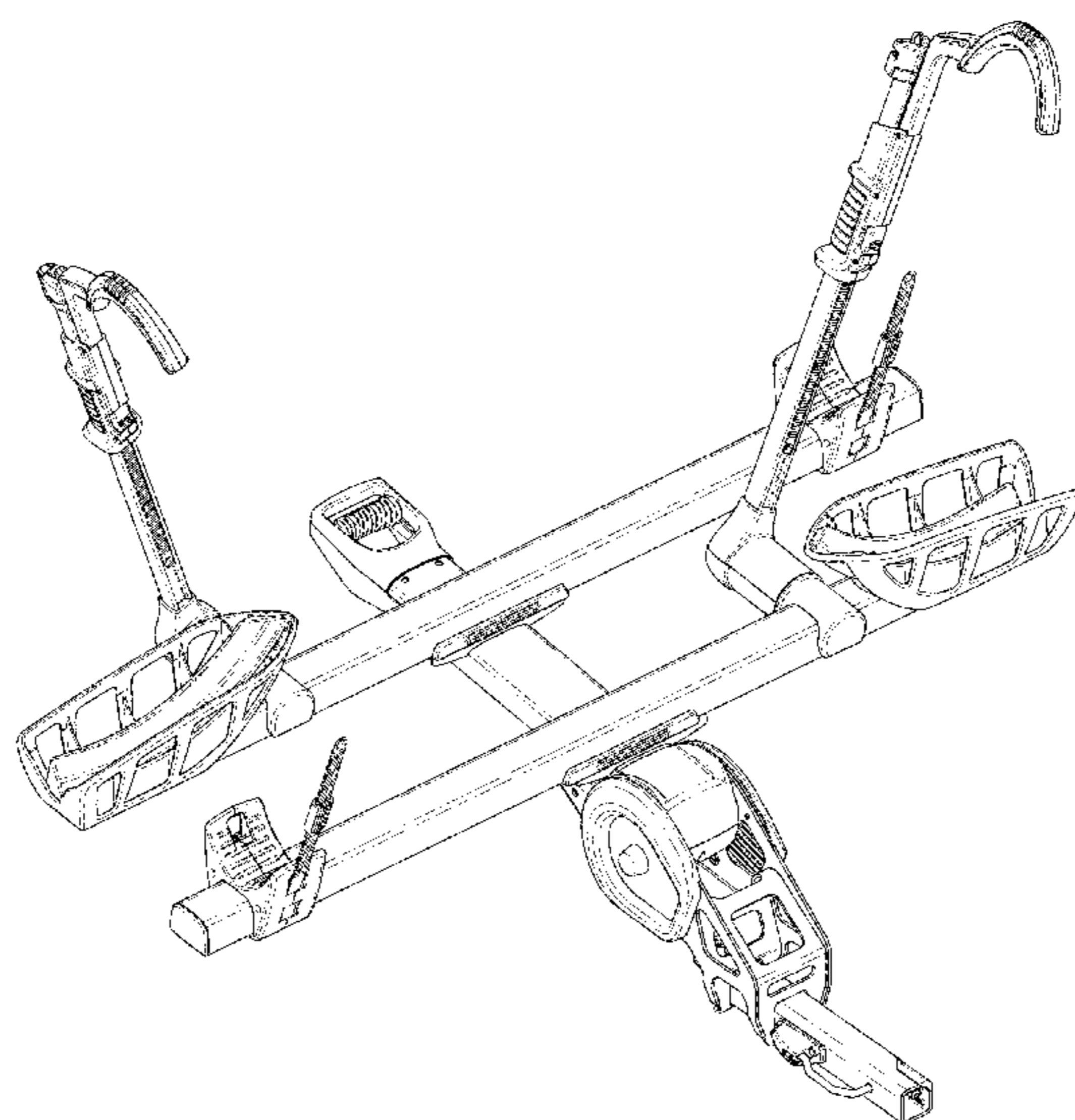
(57) **CLAIM**

The ornamental design for a carrier, as shown and described.

**DESCRIPTION**

FIG. 1 is a top, rear, and right side perspective view of a carrier showing the claimed design; FIG. 2 is a rear elevation view thereof; FIG. 3 is a front elevation view thereof; FIG. 4 is a left side elevation view thereof; FIG. 5 is a right side elevation view thereof; FIG. 6 is a top plan view thereof; and, FIG. 7 is a bottom plan view thereof.

**1 Claim, 7 Drawing Sheets**



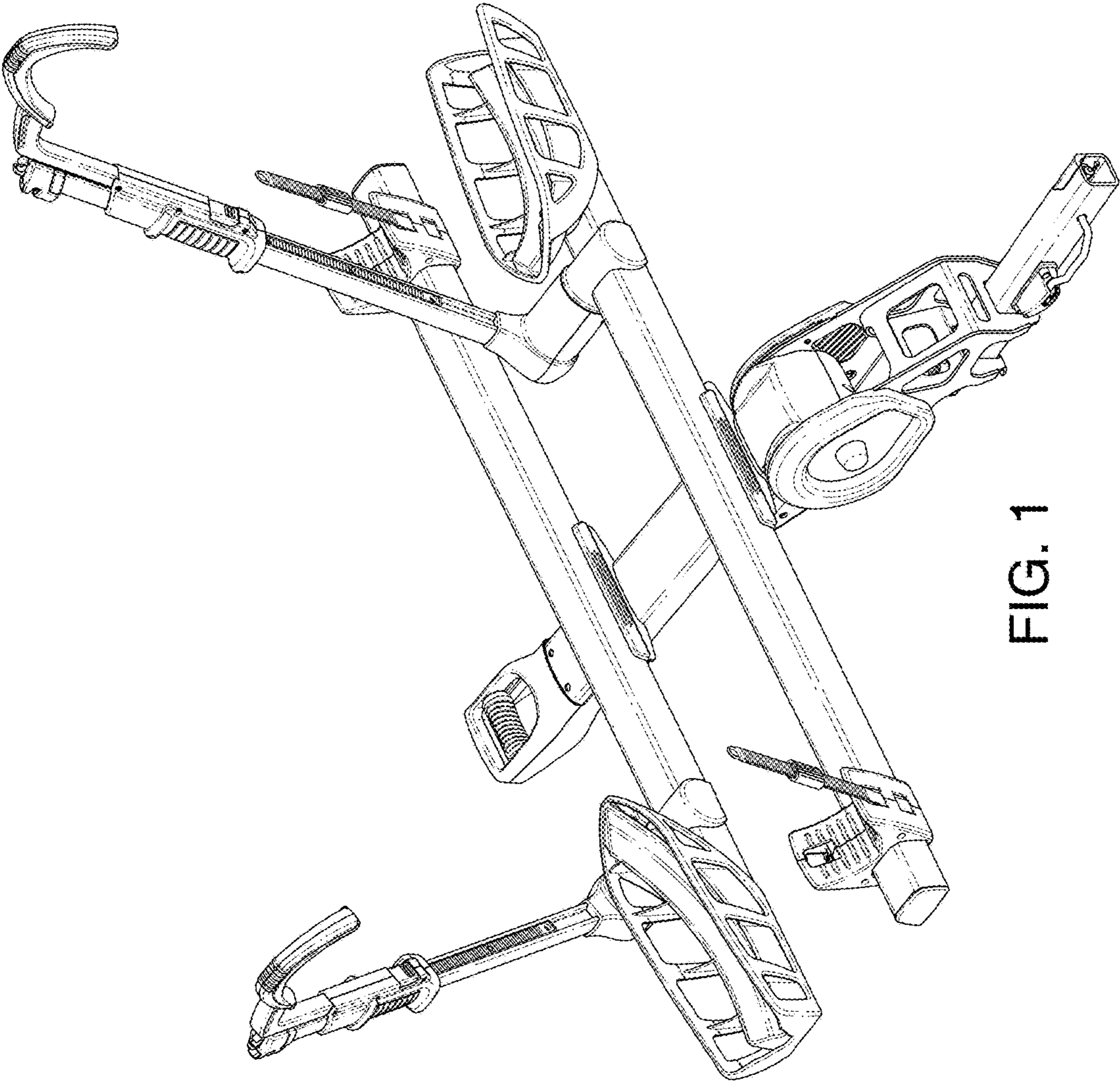


FIG. 1

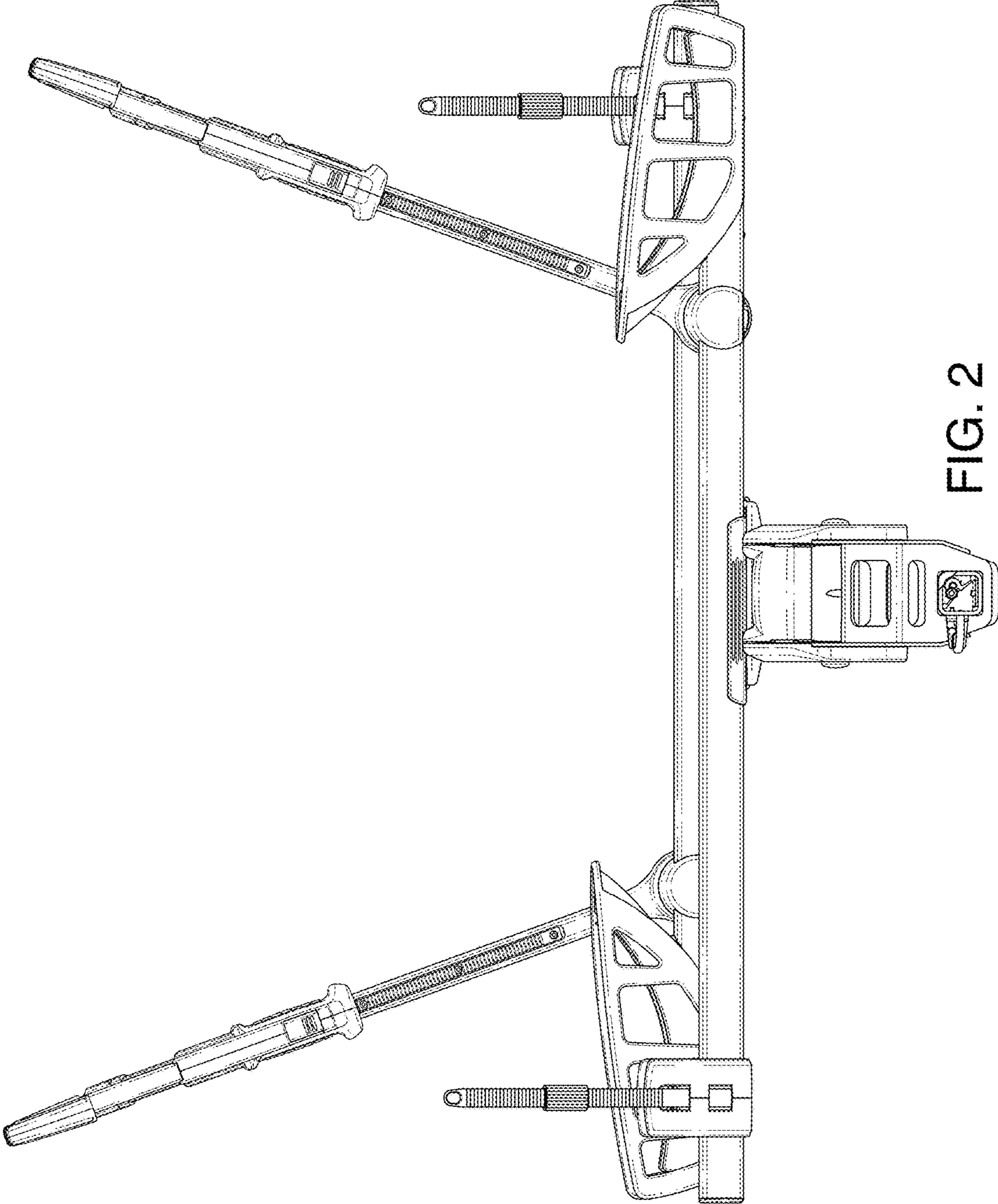
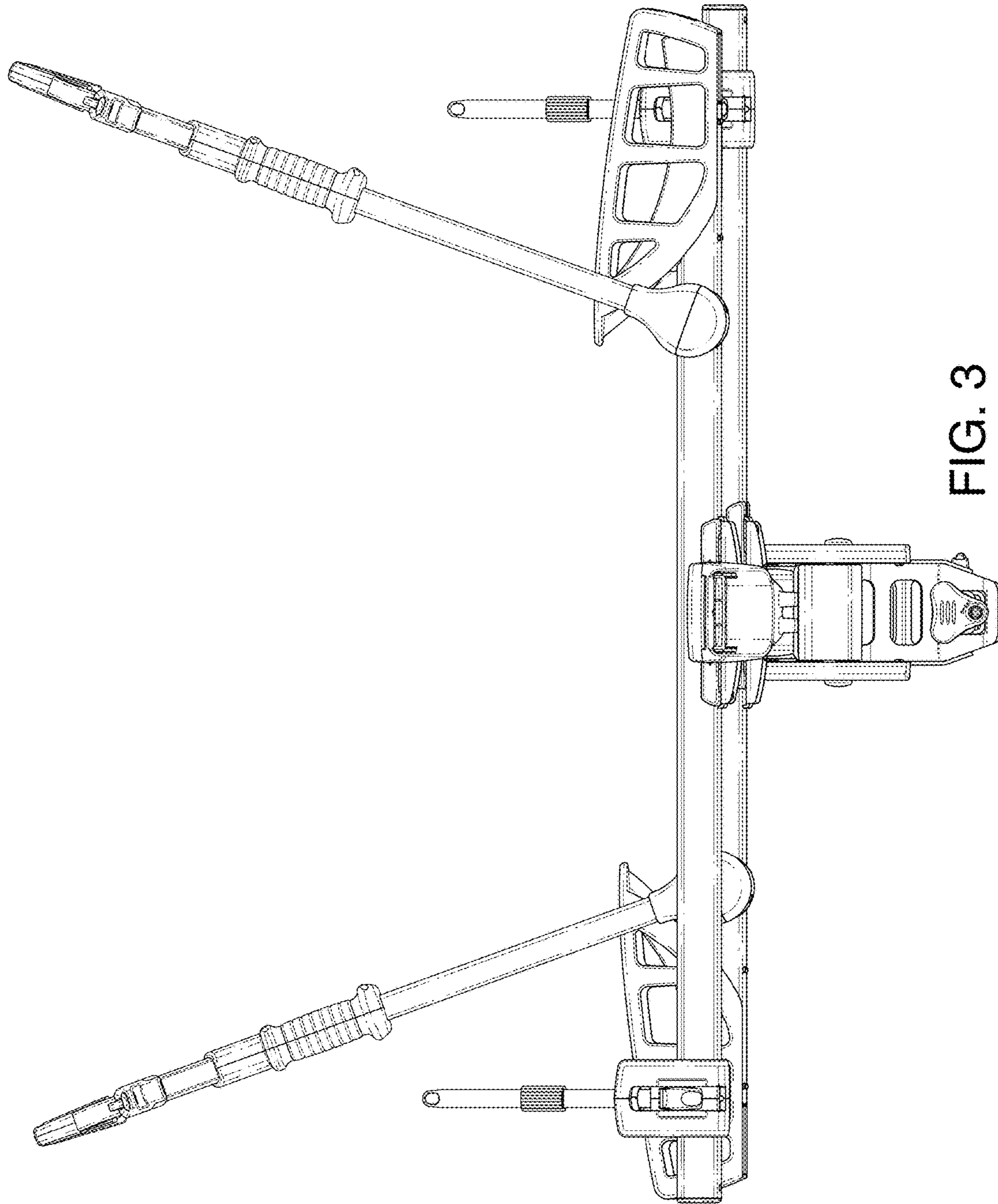


FIG. 2





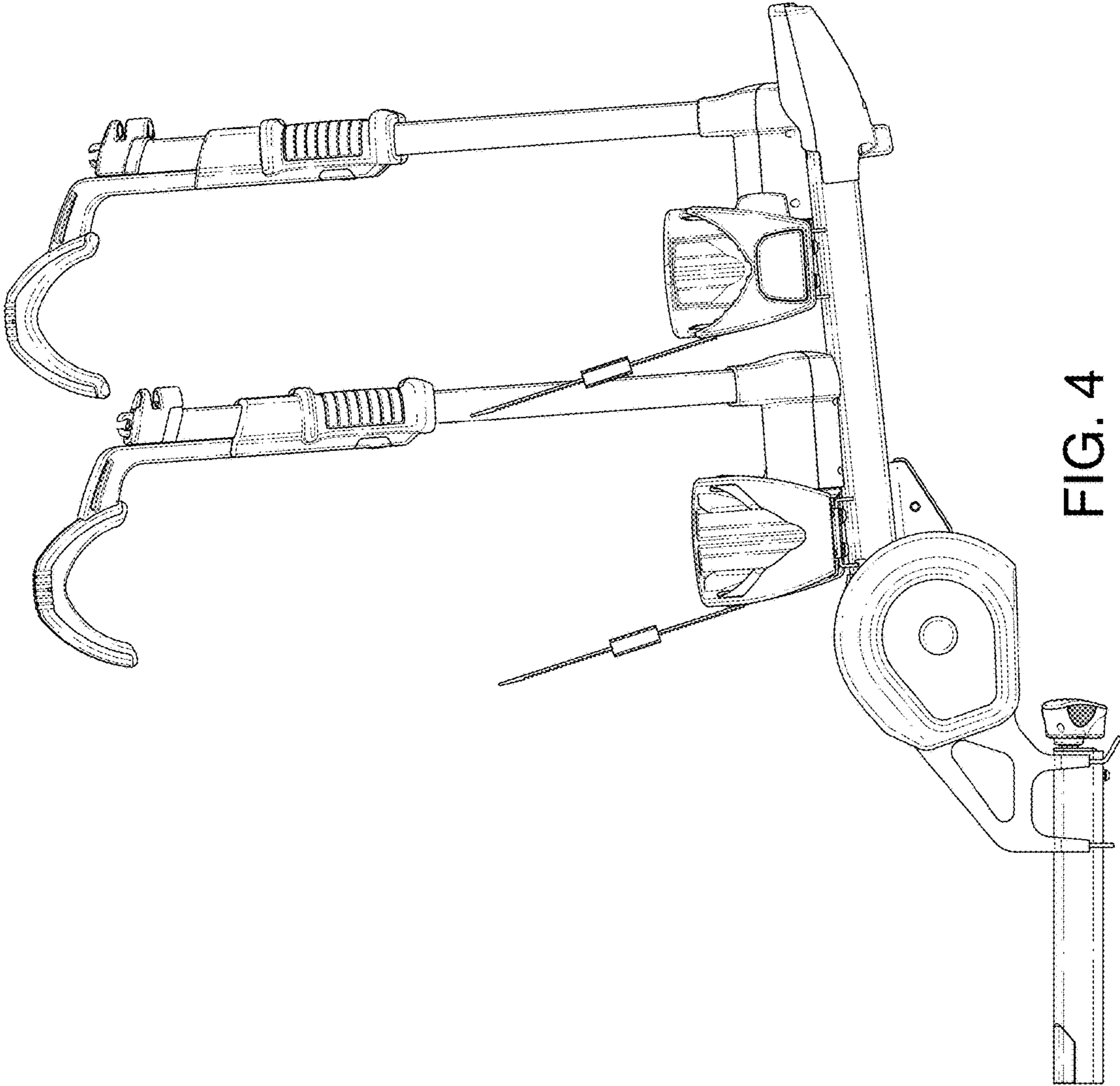


FIG. 4

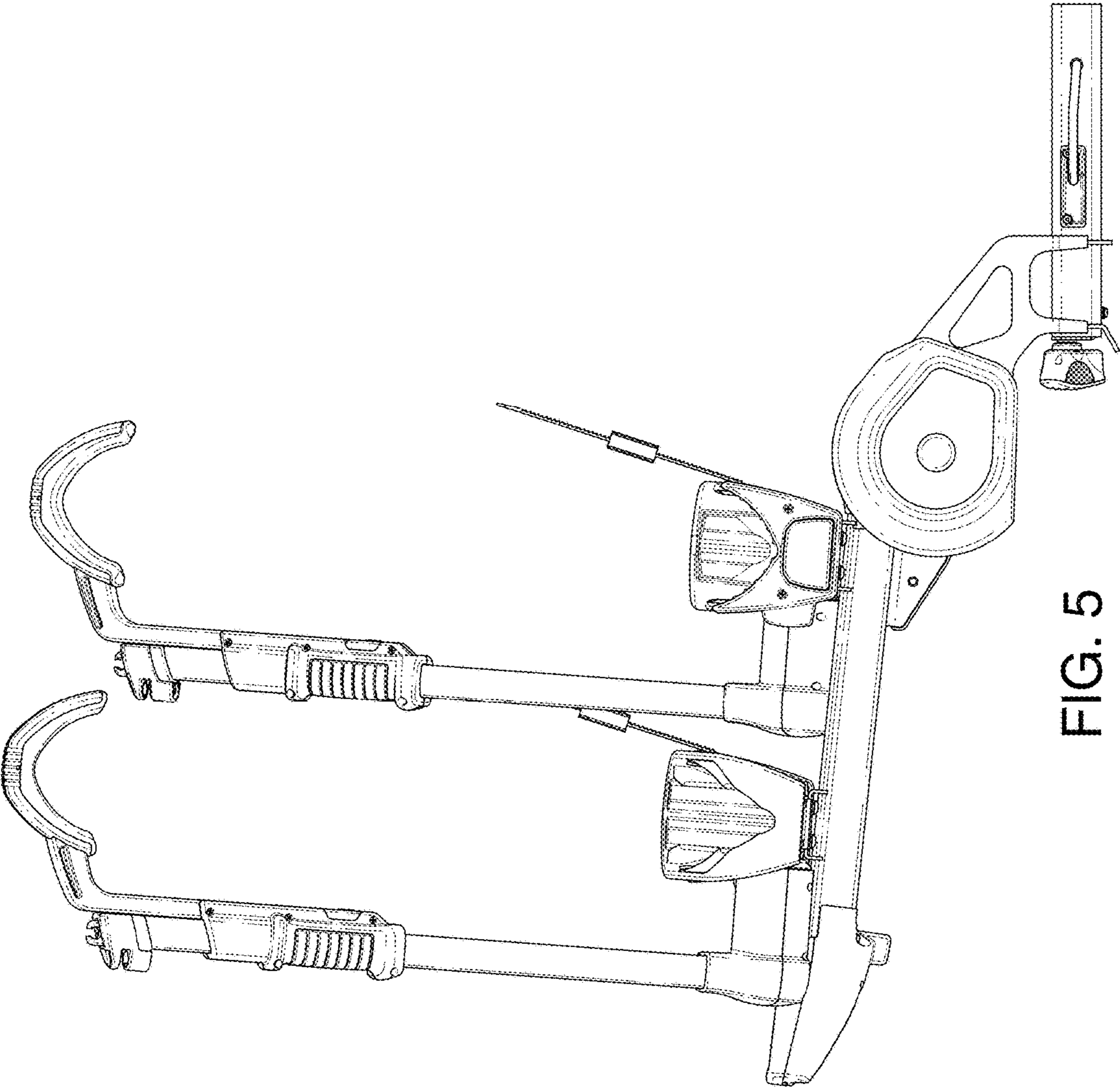


FIG. 5

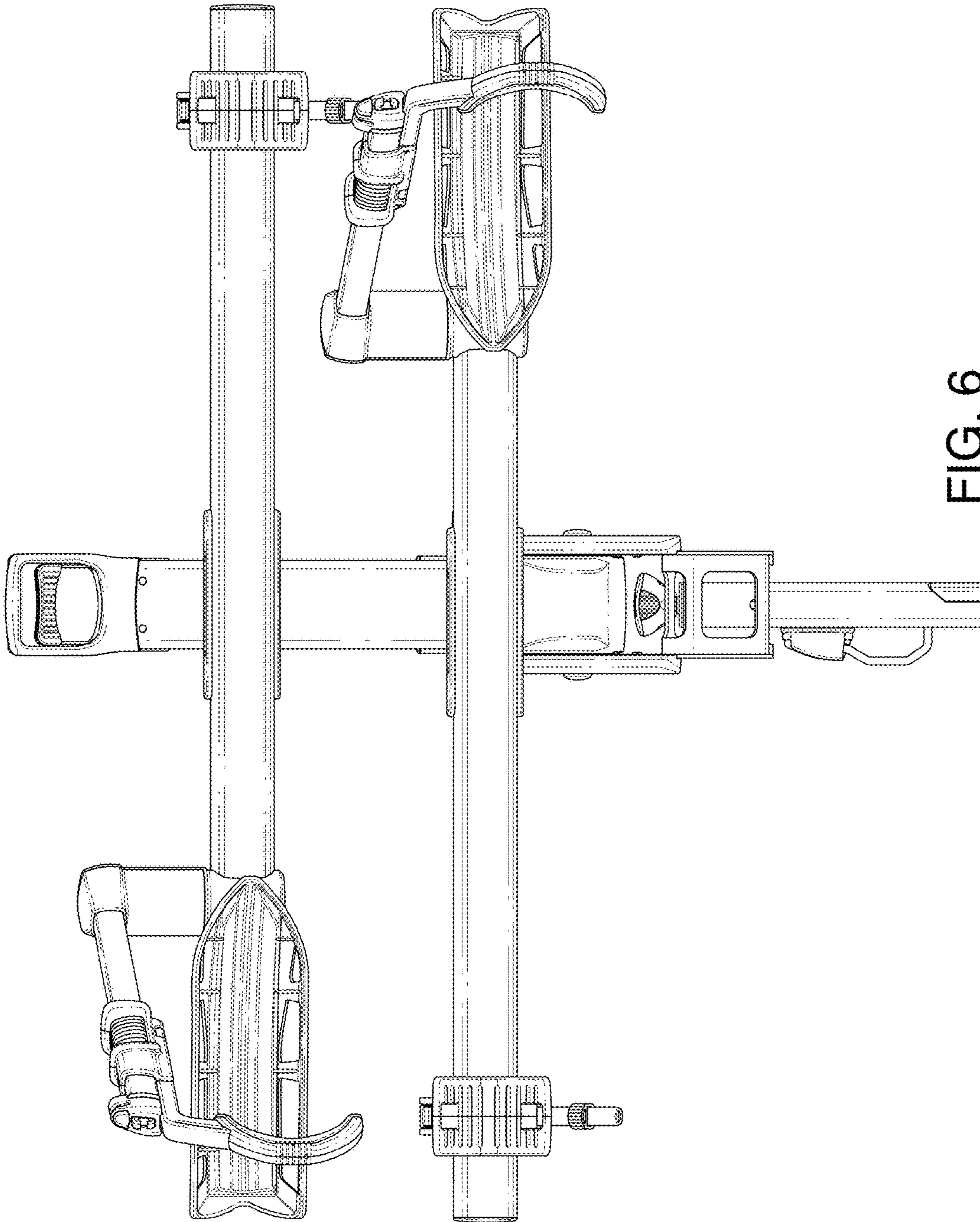


FIG. 6



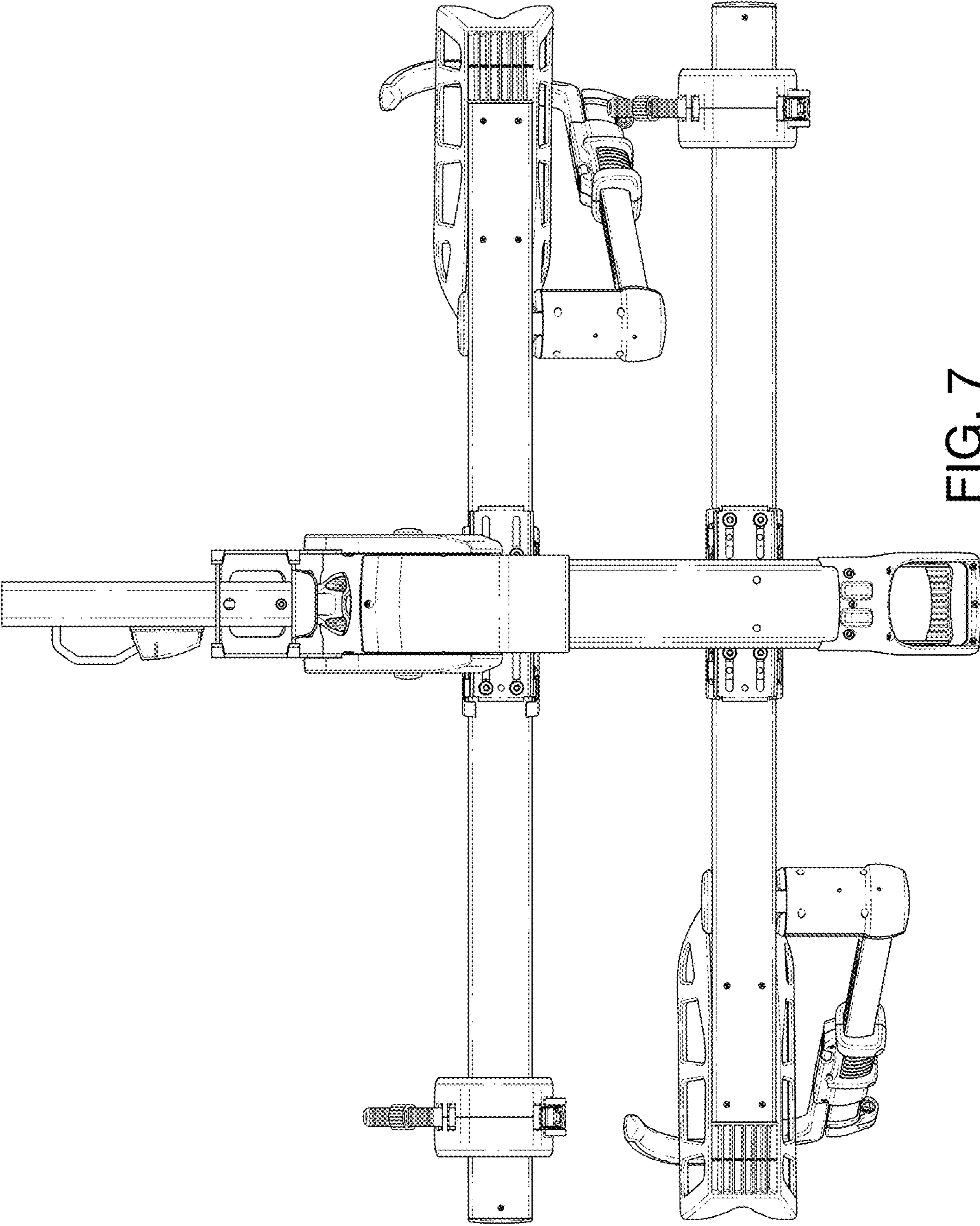


FIG. 7