



US00D817253S

(12) **United States Design Patent**  
**Jeong**

(10) **Patent No.:** **US D817,253 S**

(45) **Date of Patent:** **\*\* May 8, 2018**

(54) **HELICOPTER**

(71) Applicant: **HANSUNG ILS CO., LTD.**,  
Changwon (KR)

(72) Inventor: **Woo Young Jeong**, Changwon (KR)

(73) Assignee: **HANSUNG ILS CO., LTD.**,  
Changwon (KR)

(\*\*) Term: **15 Years**

(21) Appl. No.: **29/556,348**

(22) Filed: **Feb. 29, 2016**

(30) **Foreign Application Priority Data**

Jan. 20, 2016 (KR) ..... 30-2016-0002823

(51) **LOC (11) Cl.** ..... **12-01**

(52) **U.S. Cl.**  
USPC ..... **D12/327**

(58) **Field of Classification Search**

USPC ..... D12/16.1, 319-345; D21/436, 441, 442,  
D21/443, 446, 447, 448, 449, 450, 451,  
D21/452, 453, 454

CPC ... B64C 27/20; B64C 27/08; B64C 2201/104;  
B64C 2201/021; B64C 2201/128; B64C  
2201/024; B64C 2201/141; B64C  
2201/108; B64C 39/024

See application file for complete search history.

(56) **References Cited**

**U.S. PATENT DOCUMENTS**

- D278,227 S \* 4/1985 Johnston, Jr. .... D12/327
- D332,078 S \* 12/1992 Shallene ..... D12/327
- 5,209,430 A \* 5/1993 Wilson ..... B64C 23/00  
244/17.11
- D337,301 S \* 7/1993 Hill ..... D12/327
- D357,894 S \* 5/1995 Arnold ..... D12/327
- D361,054 S \* 8/1995 McCaw ..... D12/326
- D375,077 S \* 10/1996 Taylor ..... D12/327

- D388,048 S \* 12/1997 Taylor ..... D12/327
- D406,810 S \* 3/1999 Lai ..... D12/326
- D425,853 S \* 5/2000 Caporaletti ..... D12/327
- D467,861 S \* 12/2002 Lee ..... D12/326

(Continued)

*Primary Examiner* — Brandon M Rosati

*Assistant Examiner* — Marissa J Cash

(57) **CLAIM**

The ornamental design for a helicopter, as shown and described.

**DESCRIPTION**

FIG. 1 is a perspective view of a helicopter showing my new design;

FIG. 2 is a front elevational view thereof;

FIG. 3 is a rear elevational view thereof;

FIG. 4 is a left side elevational view thereof;

FIG. 5 is a right side elevational view thereof;

FIG. 6 is a top plan view thereof;

FIG. 7 is a bottom plan view thereof;

FIG. 8 is an enlarged detailed view of FIG. 1 as shown in circle 8 in FIG. 1;

FIG. 9 is an enlarged detailed view of FIG. 1 as shown in circle 9 in FIG. 1;

FIG. 10 is an enlarged detailed view of FIG. 1 as shown in circle 10 in FIG. 1;

FIG. 11 is an enlarged detailed view of FIG. 2 as shown in circle 11 in FIG. 2;

FIG. 12 is an enlarged detailed view of FIG. 3 as shown in circle 12 in FIG. 3;

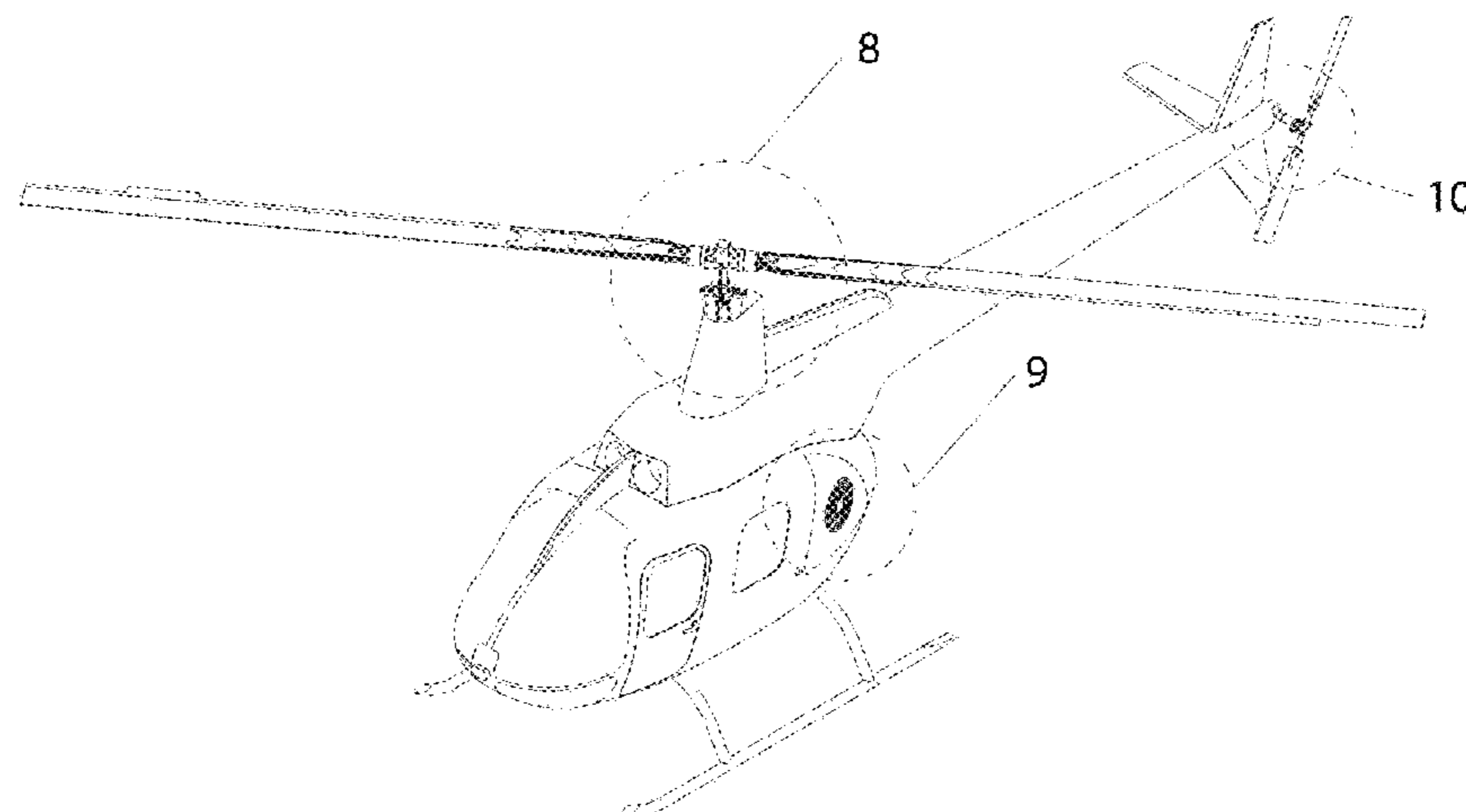
FIG. 13 is an enlarged detailed view of FIG. 3 as shown in circle 13 in FIG. 3;

FIG. 14 is an enlarged detailed view of FIG. 3 as shown in circle 14 in FIG. 3;

FIG. 15 is an enlarged detailed view of FIG. 4 as shown in circle 15 in FIG. 4; and,

FIG. 16 is an enlarged detailed view of FIG. 5 as shown in circle 16 in FIG. 5.

**1 Claim, 16 Drawing Sheets**



(56)

**References Cited**

## U.S. PATENT DOCUMENTS

D545,755 S \* 7/2007 Van de Rostyne ..... D12/327  
D592,583 S \* 5/2009 Brody ..... D12/326  
8,210,468 B2 \* 7/2012 Desroche ..... B64C 27/04  
244/17.11  
8,814,083 B2 \* 8/2014 Lhermenault ..... B64C 1/26  
244/117 R  
D730,803 S \* 6/2015 Hoover ..... D12/326  
9,120,568 B2 \* 9/2015 Herman ..... B64C 39/024  
2007/0164150 A1 \* 7/2007 Van de Rostyne ... B64C 27/625  
244/17.21  
2014/0271222 A1 \* 9/2014 Maresh ..... B64C 27/33  
416/244 R  
2015/0183526 A1 \* 7/2015 Hayashi ..... G09F 21/06  
362/470  
2017/0023946 A1 \* 1/2017 Humphrey ..... G05D 1/101  
2017/0067814 A1 \* 3/2017 Steinert ..... G01N 15/0826  
2017/0072597 A1 \* 3/2017 Gingras ..... B29C 33/301  
2017/0072598 A1 \* 3/2017 Tessier ..... B29C 33/485  
2017/0073071 A1 \* 3/2017 Salzmann ..... B64D 1/22  
2017/0128759 A1 \* 5/2017 Zonio ..... A62C 31/00

\* cited by examiner

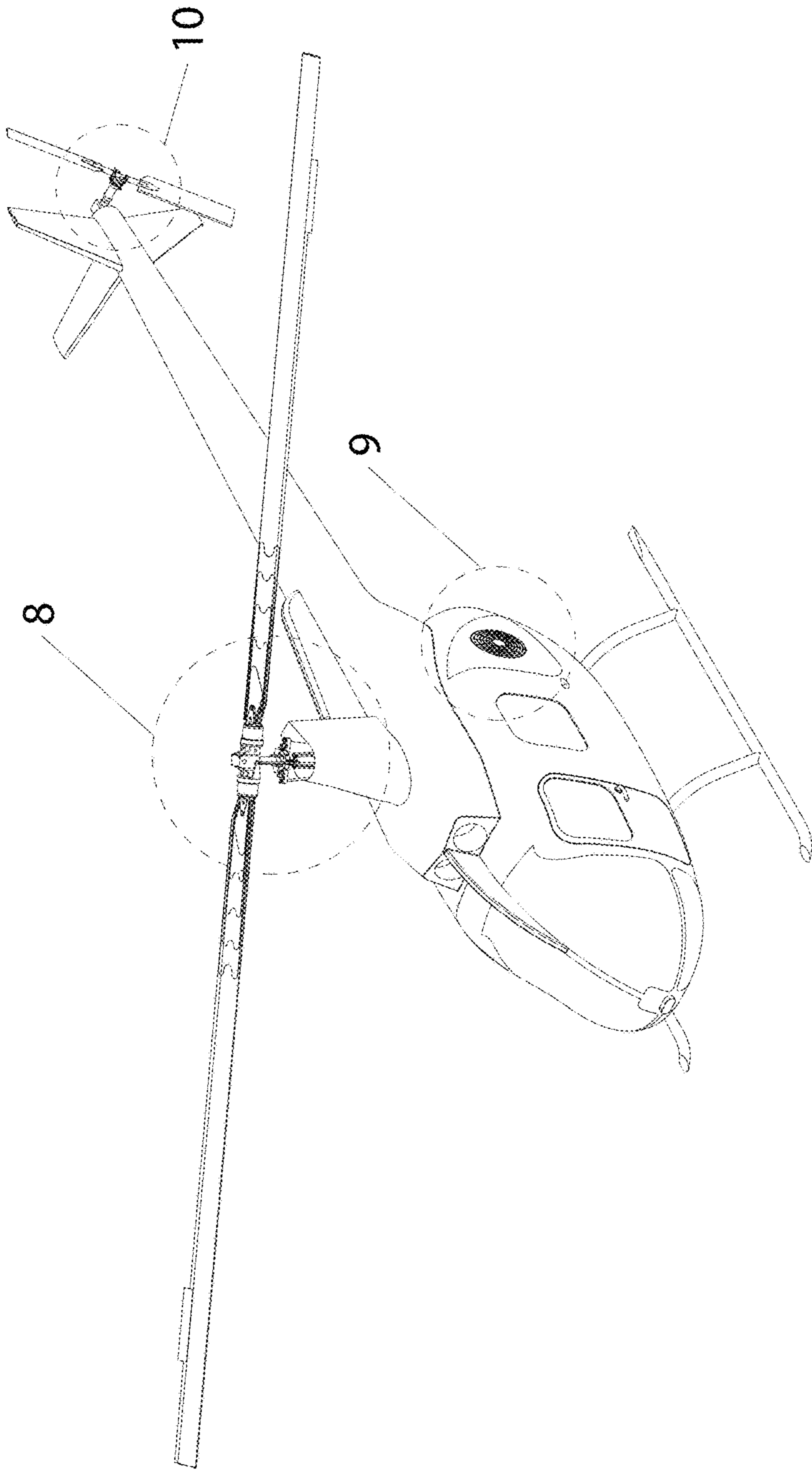


FIG. 1

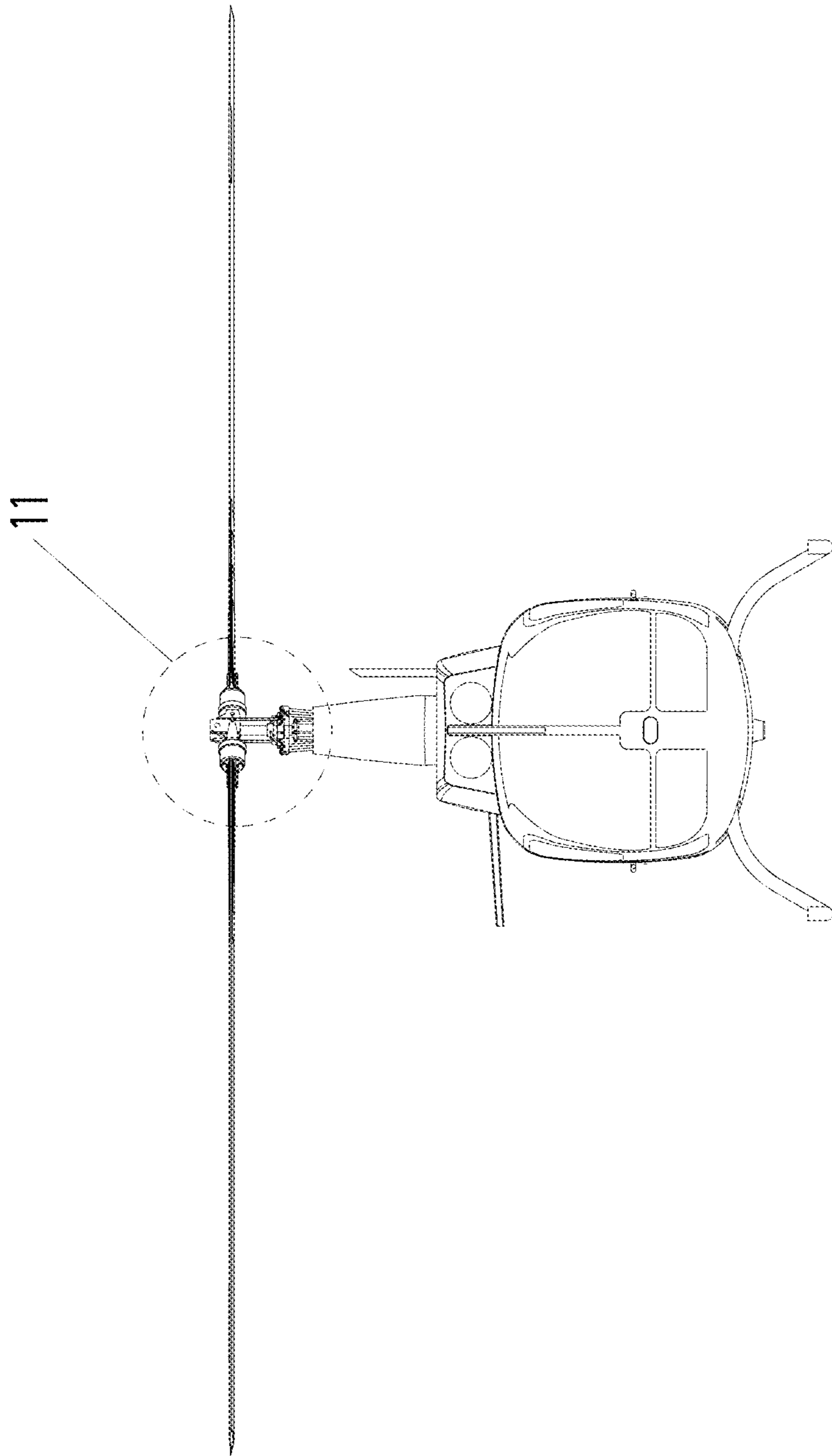


FIG. 2

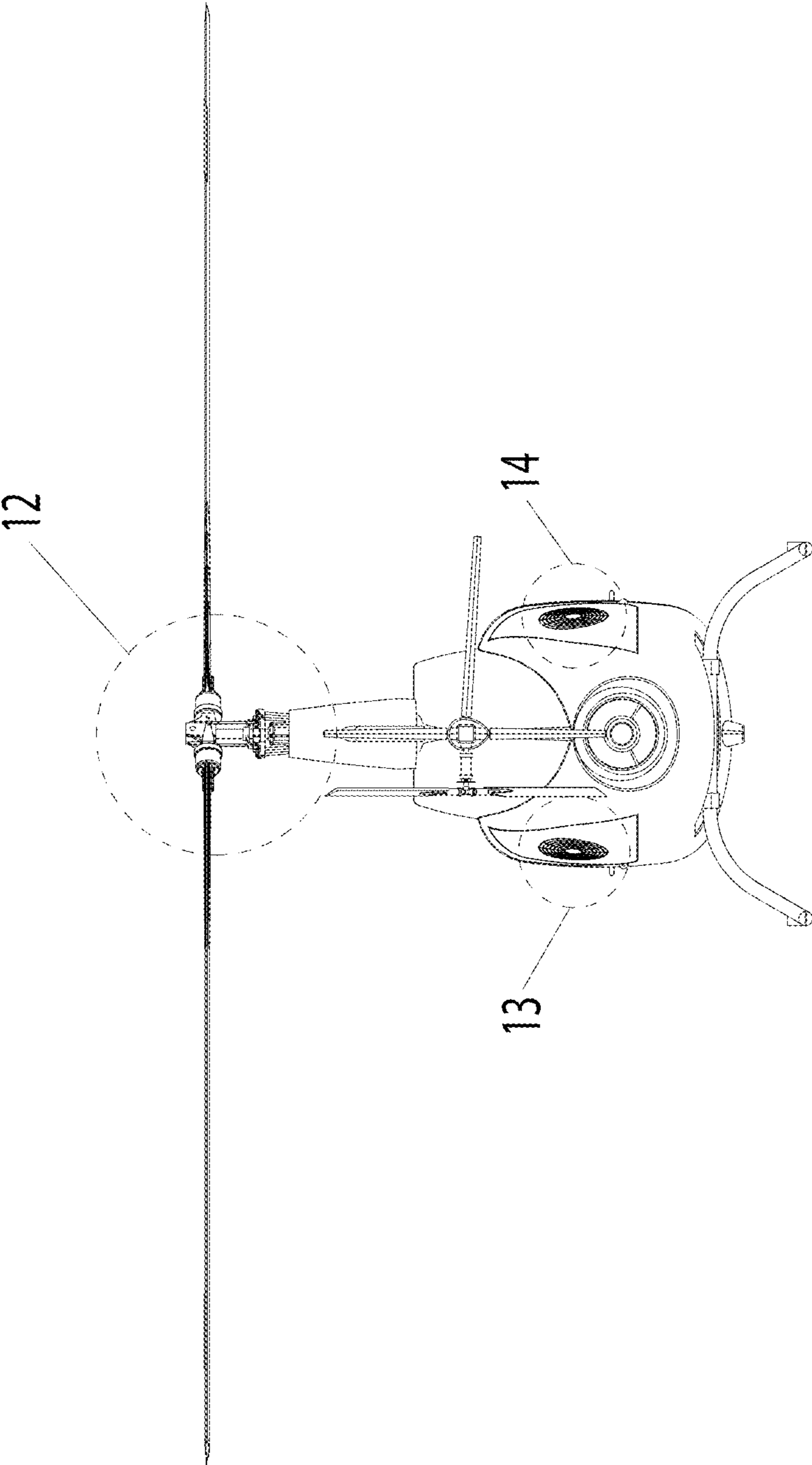


FIG. 3

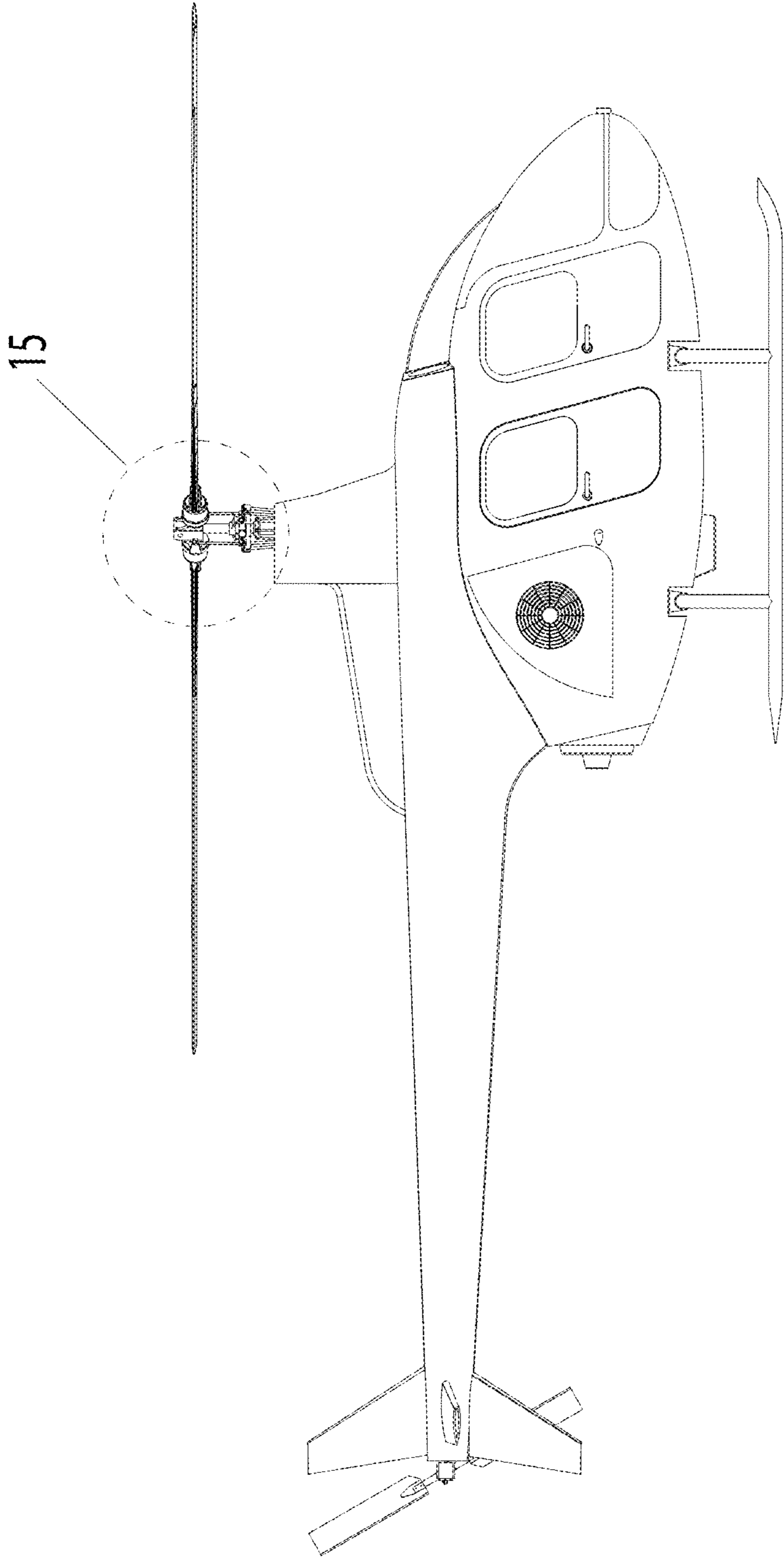


FIG. 4

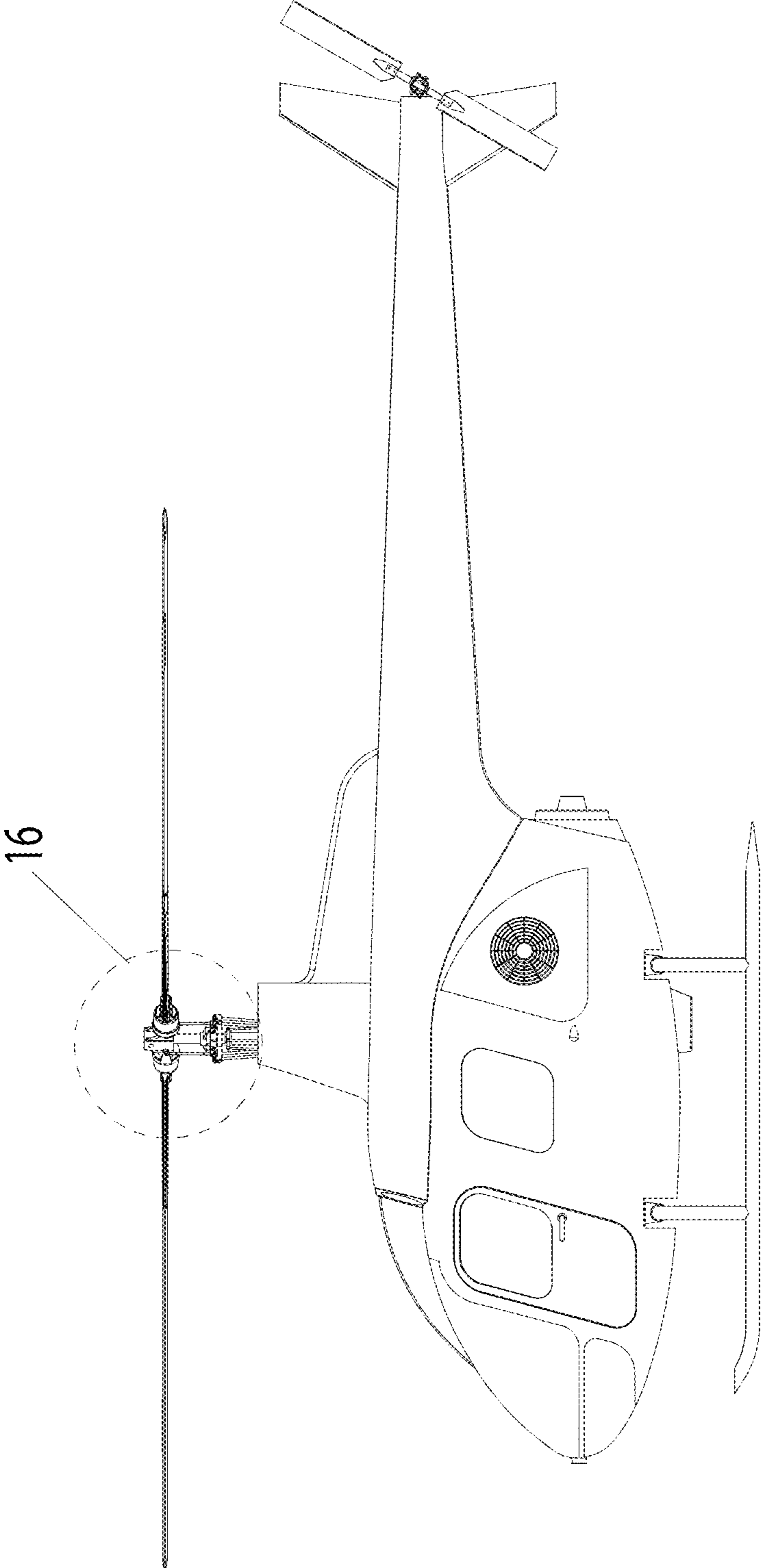


FIG. 5

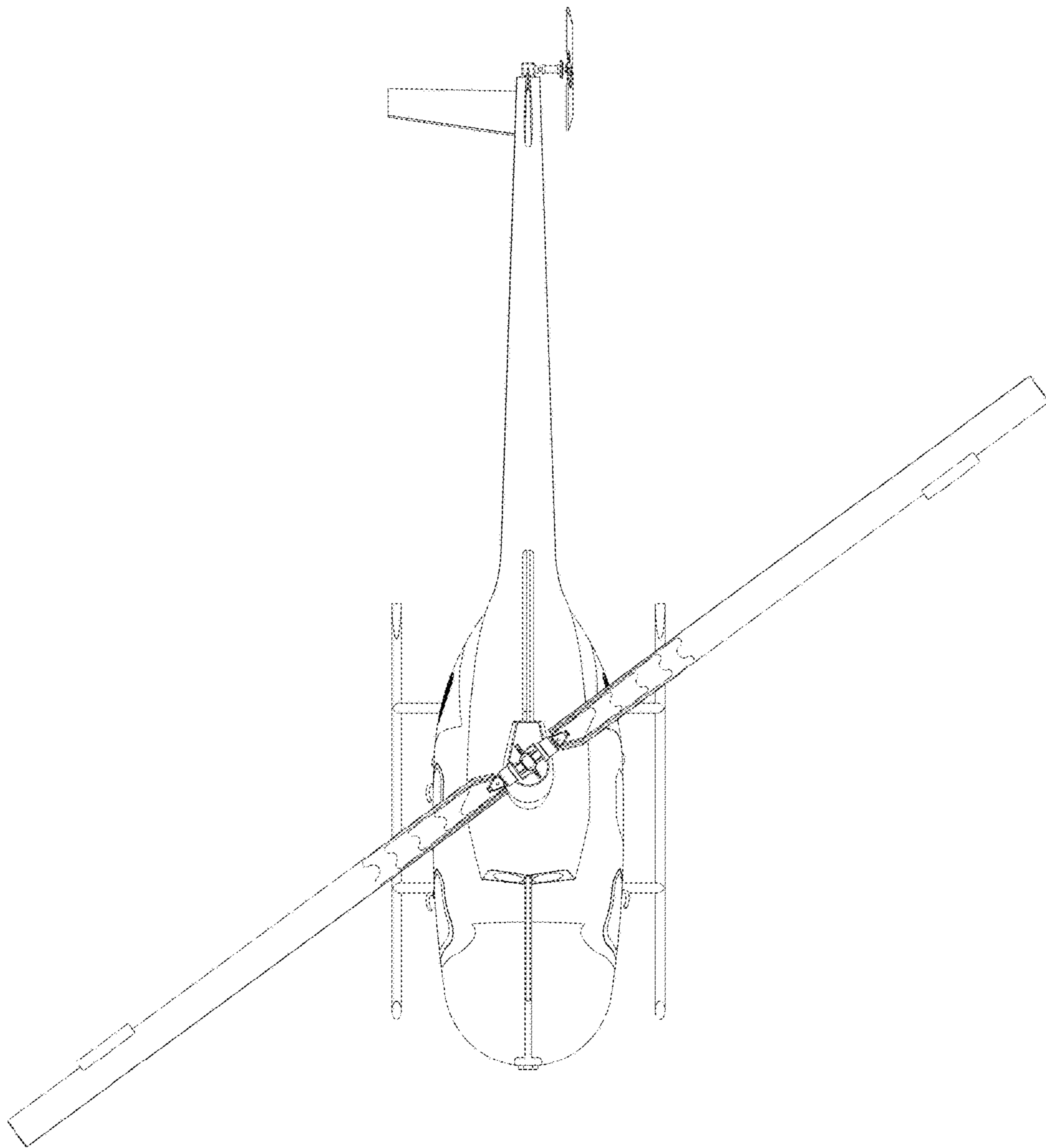


FIG. 6



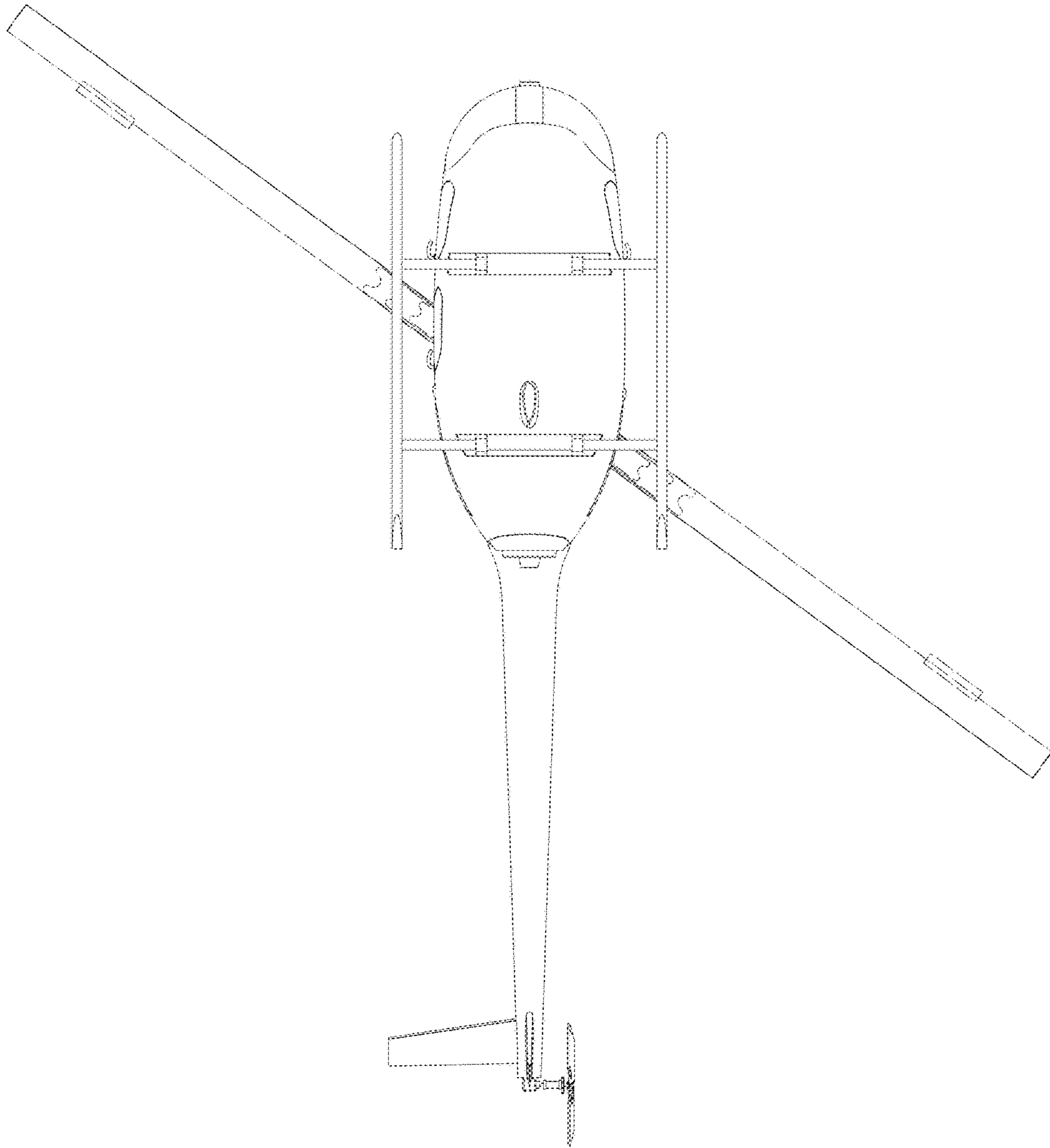


FIG. 7

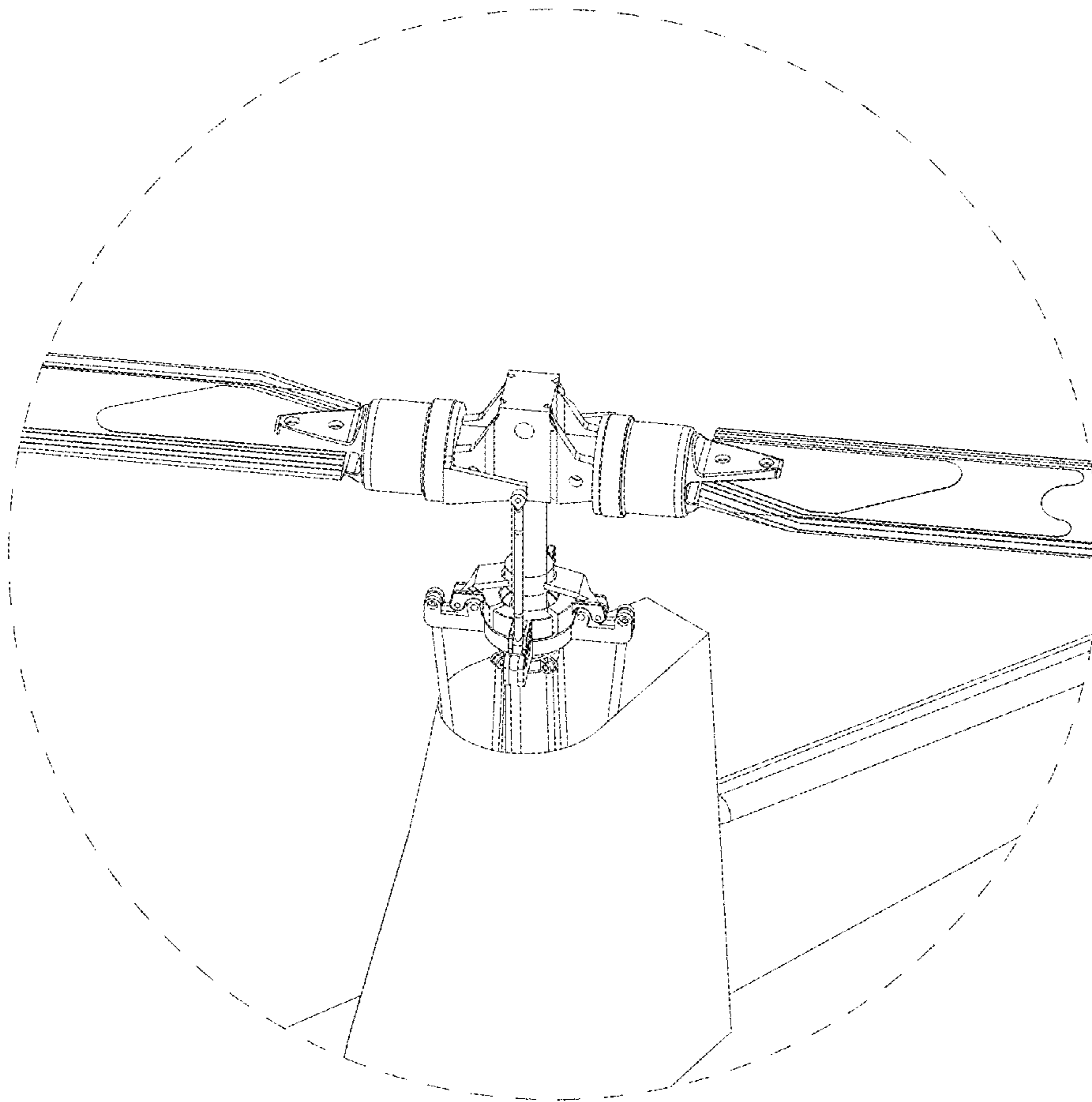


FIG. 8

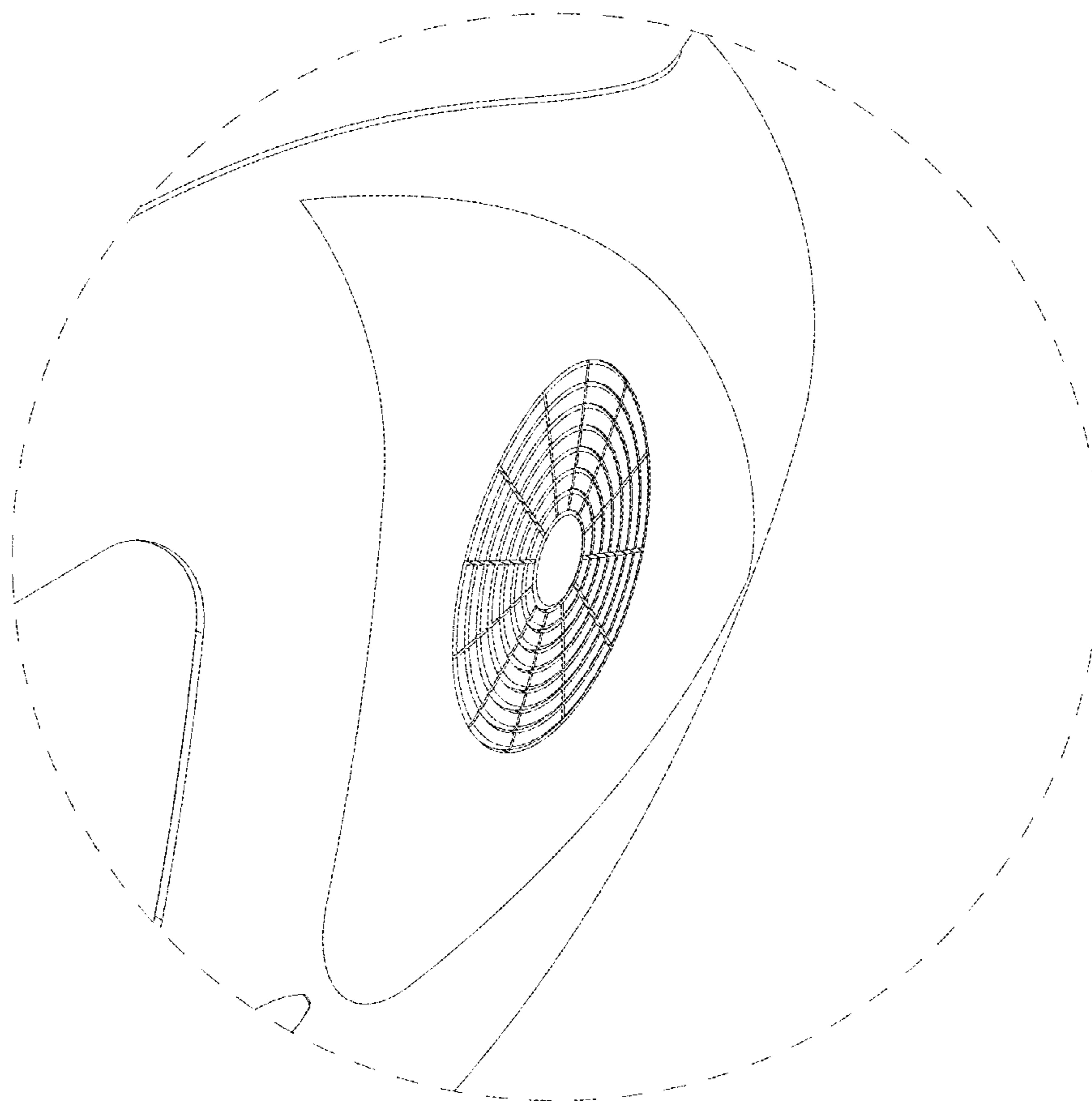


FIG. 9

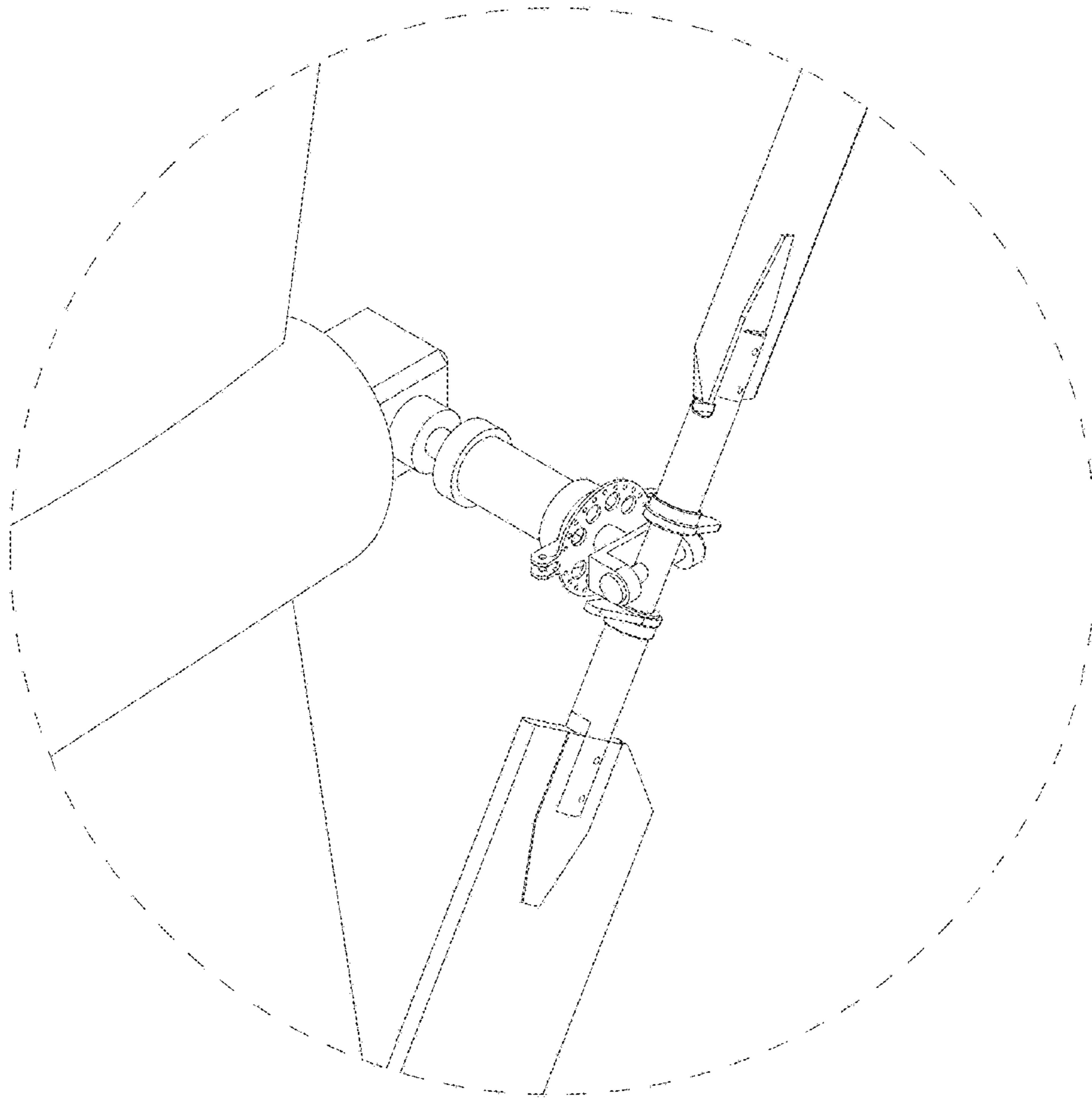


FIG. 10

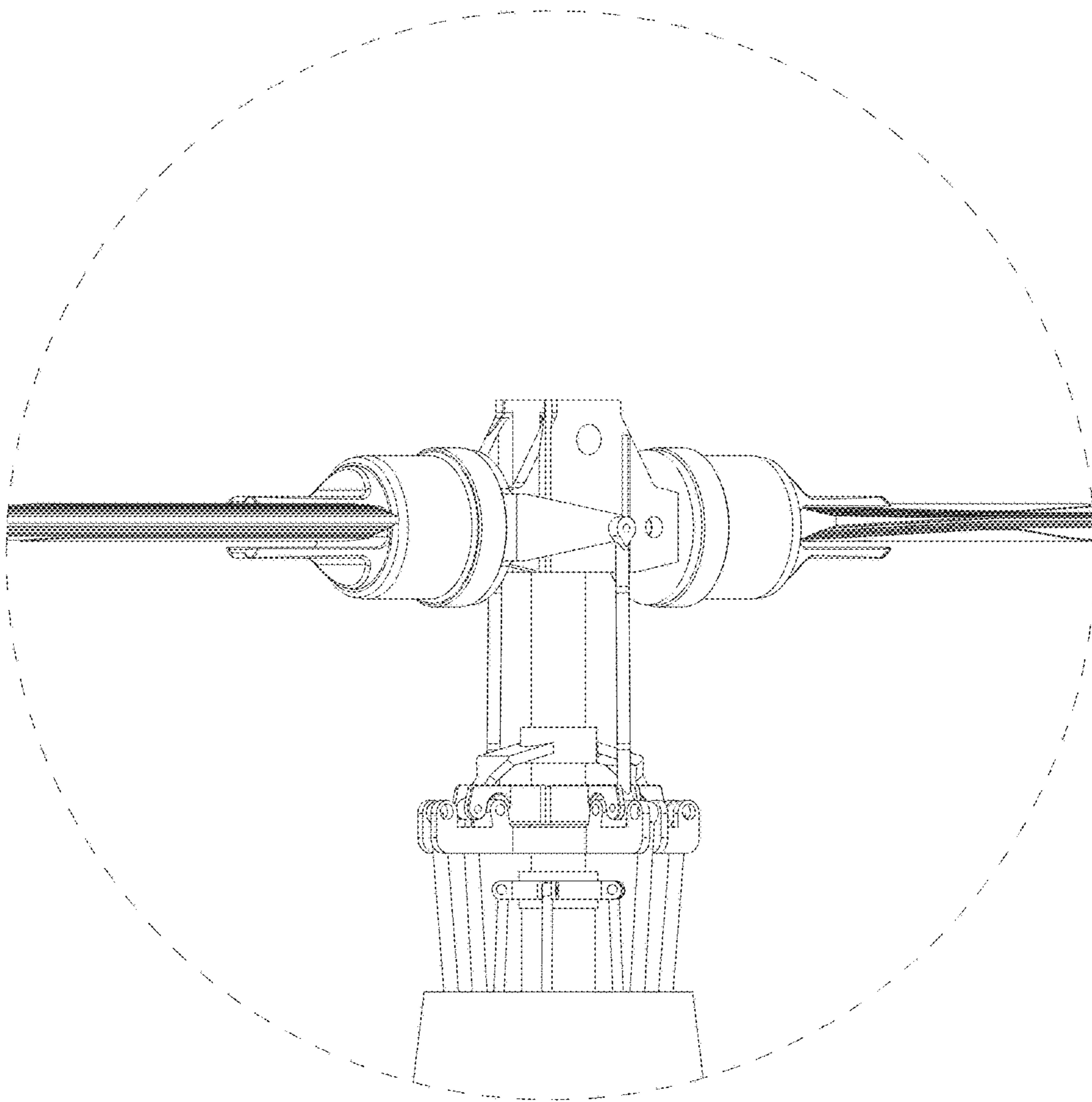


FIG. 11

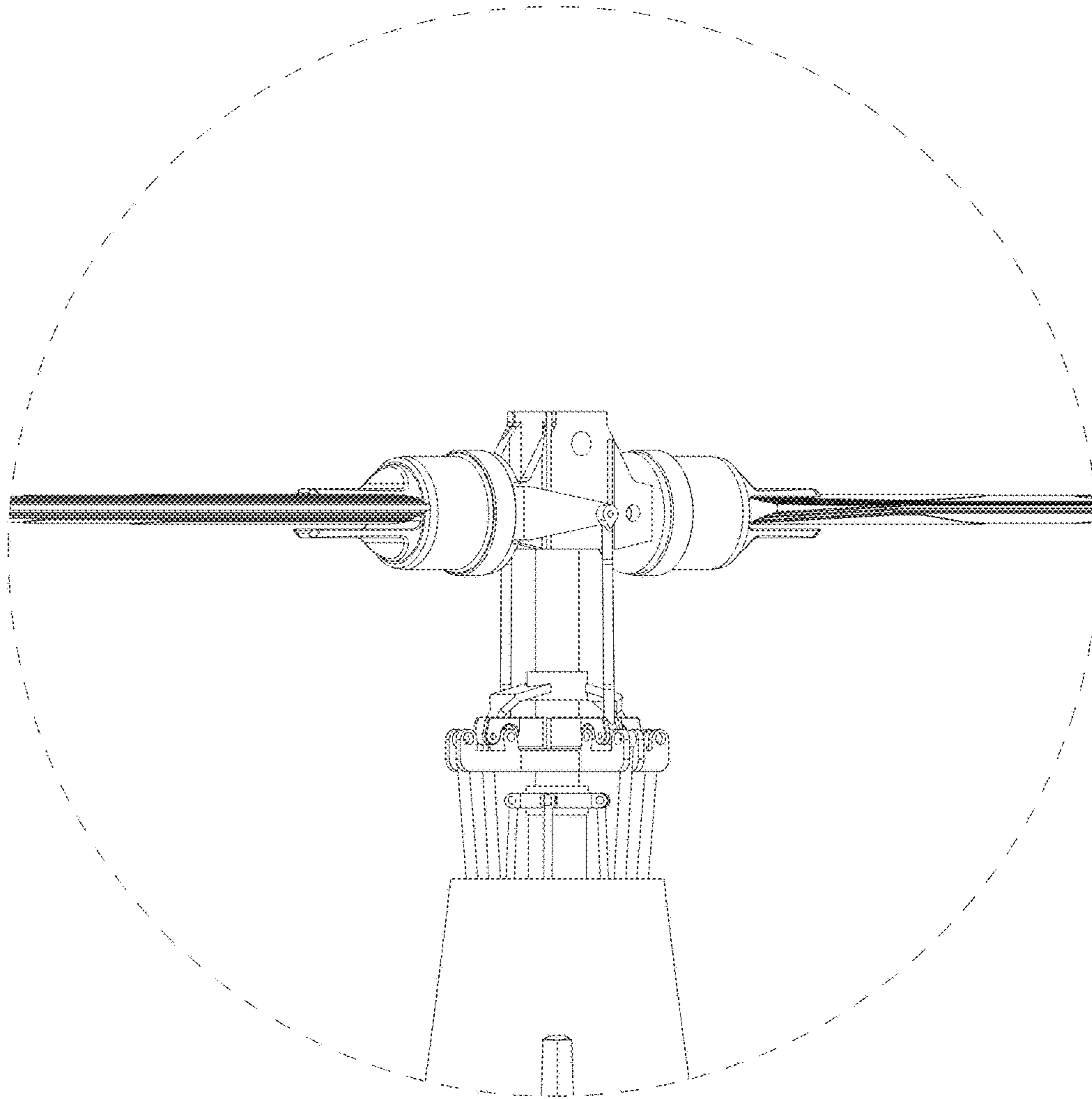


FIG. 12

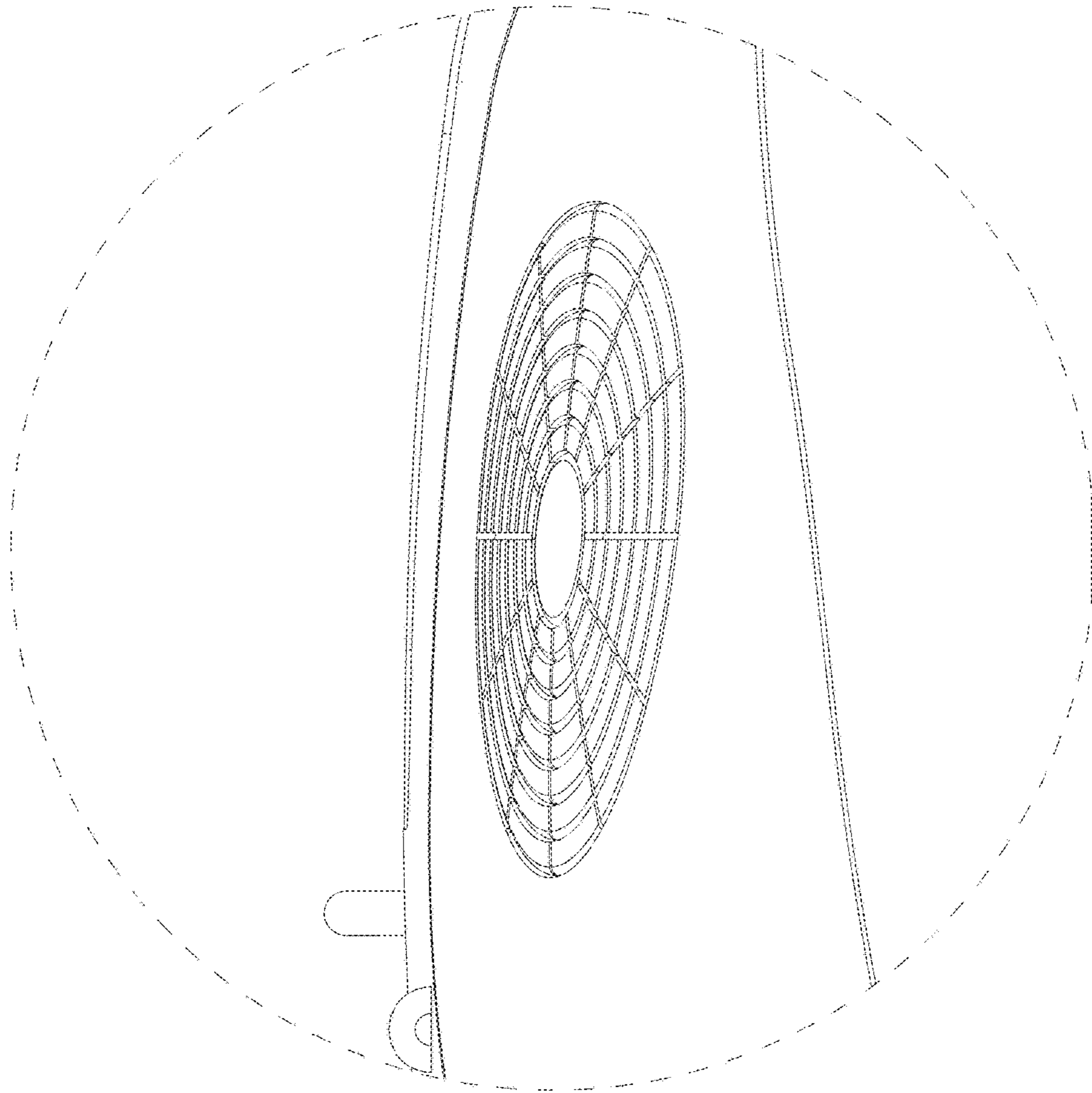


FIG. 13

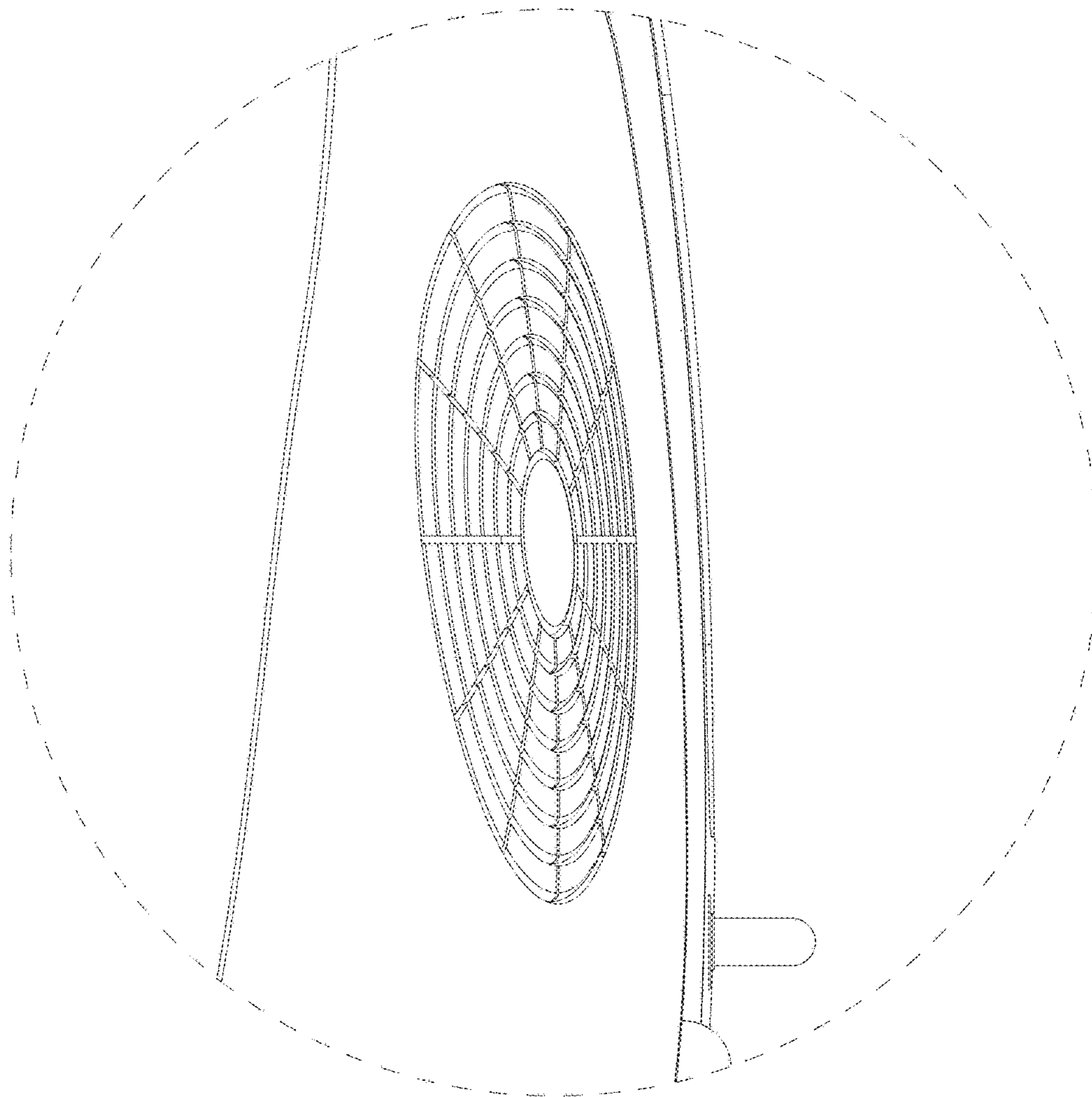


FIG. 14



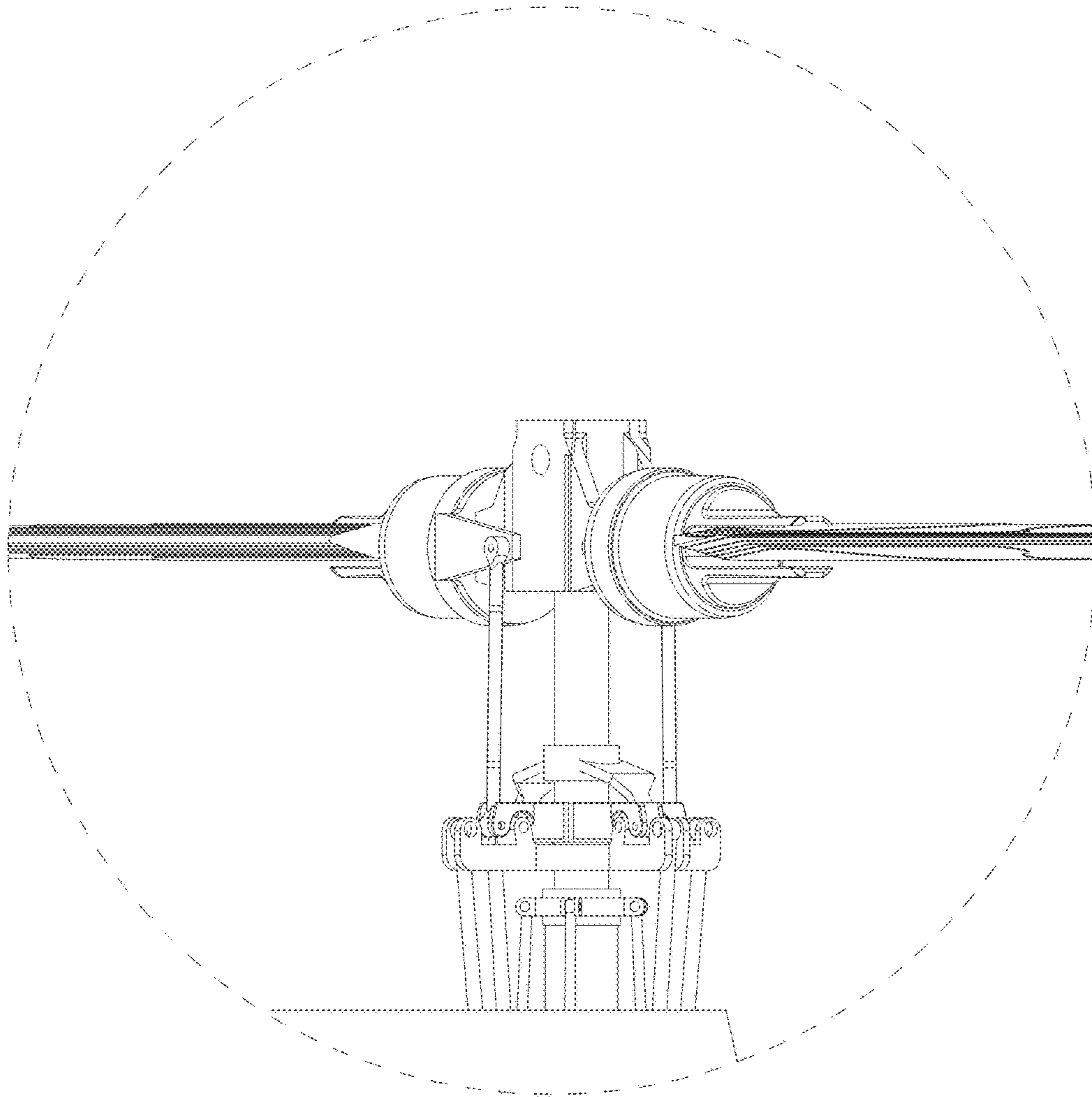


FIG. 15

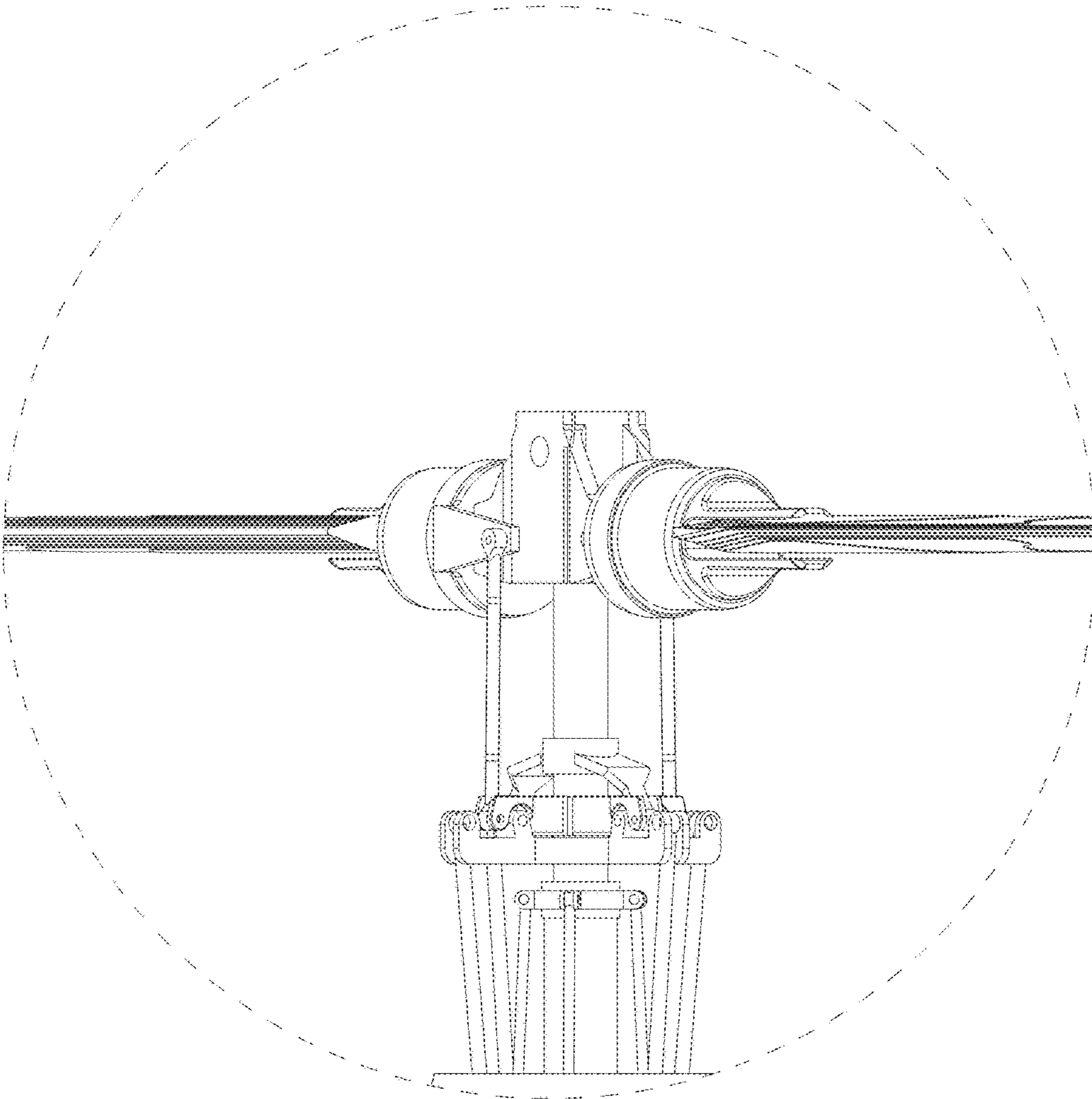


FIG. 16