



US00D817252S

(12) **United States Design Patent**
Kim et al.

(10) **Patent No.:** **US D817,252 S**

(45) **Date of Patent:** **** May 8, 2018**

(54) **DRONE**

(71) Applicant: **Samsung Electronics Co., Ltd.**,
Suwon-si (KR)

(72) Inventors: **Eunyoung Kim**, Seongnam-si (KR);
Hayoul Jung, Yongin-si (KR); **Sangil Park**, Seoul (KR)

(73) Assignee: **SAMSUNG ELECTRONICS CO., LTD.**,
Suwon-si (KR)

(**) Term: **15 Years**

(21) Appl. No.: **29/581,365**

(22) Filed: **Oct. 18, 2016**

(30) **Foreign Application Priority Data**

Apr. 19, 2016 (KR) 30-2016-0018733

(51) **LOC (11) Cl.** **12-07**

(52) **U.S. Cl.**
USPC **D12/325**; D12/16.1

(58) **Field of Classification Search**
USPC D12/3, 16.1, 319-345; D21/436-455
CPC B64C 39/024; B64C 2201/108
See application file for complete search history.

(56) **References Cited**

U.S. PATENT DOCUMENTS

D197,447 S *	2/1964	Friedrich	244/12.2
D197,748 S *	3/1964	Postelson	D12/325
D200,183 S *	1/1965	Ordway	D12/325
D201,409 S *	6/1965	Flett	D12/325
D295,429 S *	4/1988	Sandeen	D21/443
D303,106 S *	8/1989	Macaluso	D12/345
D303,784 S *	10/1989	Micallef	D12/345
D320,378 S *	10/1991	Webster	D12/319
5,150,857 A *	9/1992	Moffitt	B64C 27/20 244/12.2

5,152,478 A *	10/1992	Cycon	B64C 27/10 244/12.2
D353,847 S *	12/1994	Kelsen	D21/444
D364,431 S *	11/1995	Diecidue	D21/444
D386,221 S *	11/1997	Ybanez	D21/443
D386,222 S *	11/1997	Dunipace	D21/443

(Continued)

FOREIGN PATENT DOCUMENTS

CN	303478214 S	12/2015
KR	30-0716599	11/2013

OTHER PUBLICATIONS

Unknown, http://navercast.naver.com/magazine_contents.nhn?rid=1103&contents_id=109373 (Last accessed Oct. 17, 2016).

(Continued)

Primary Examiner — Robert M. Spear

Assistant Examiner — Marissa J Cash

(74) *Attorney, Agent, or Firm* — McAndrews Held & Malloy, Ltd.

(57) **CLAIM**

The ornamental design for a drone, as shown and described.

DESCRIPTION

FIG. 1 is a top perspective view of a drone showing our new design;

FIG. 2 is a front view thereof;

FIG. 3 is a rear view thereof;

FIG. 4 is a left side view thereof;

FIG. 5 is a right side view thereof;

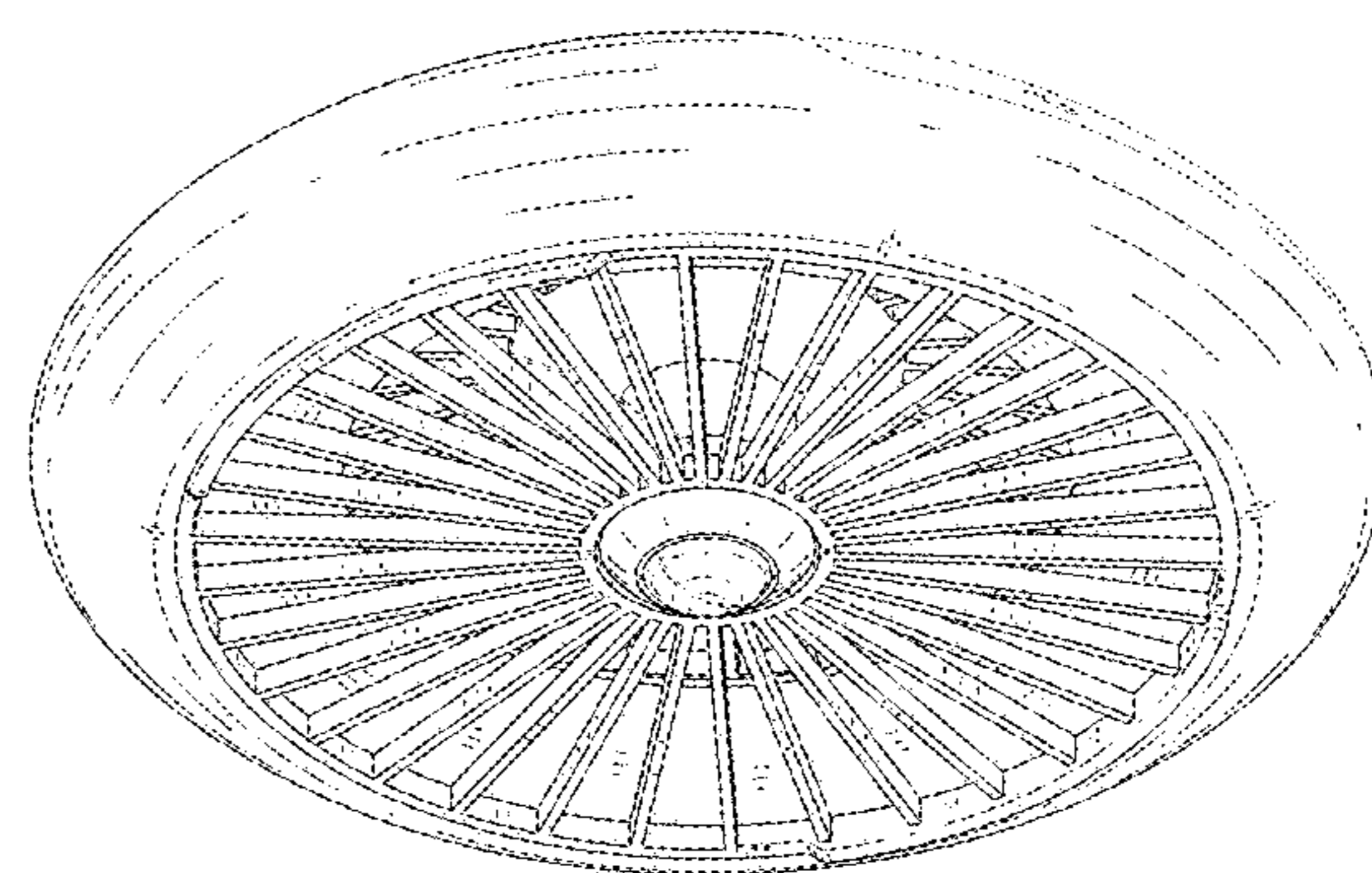
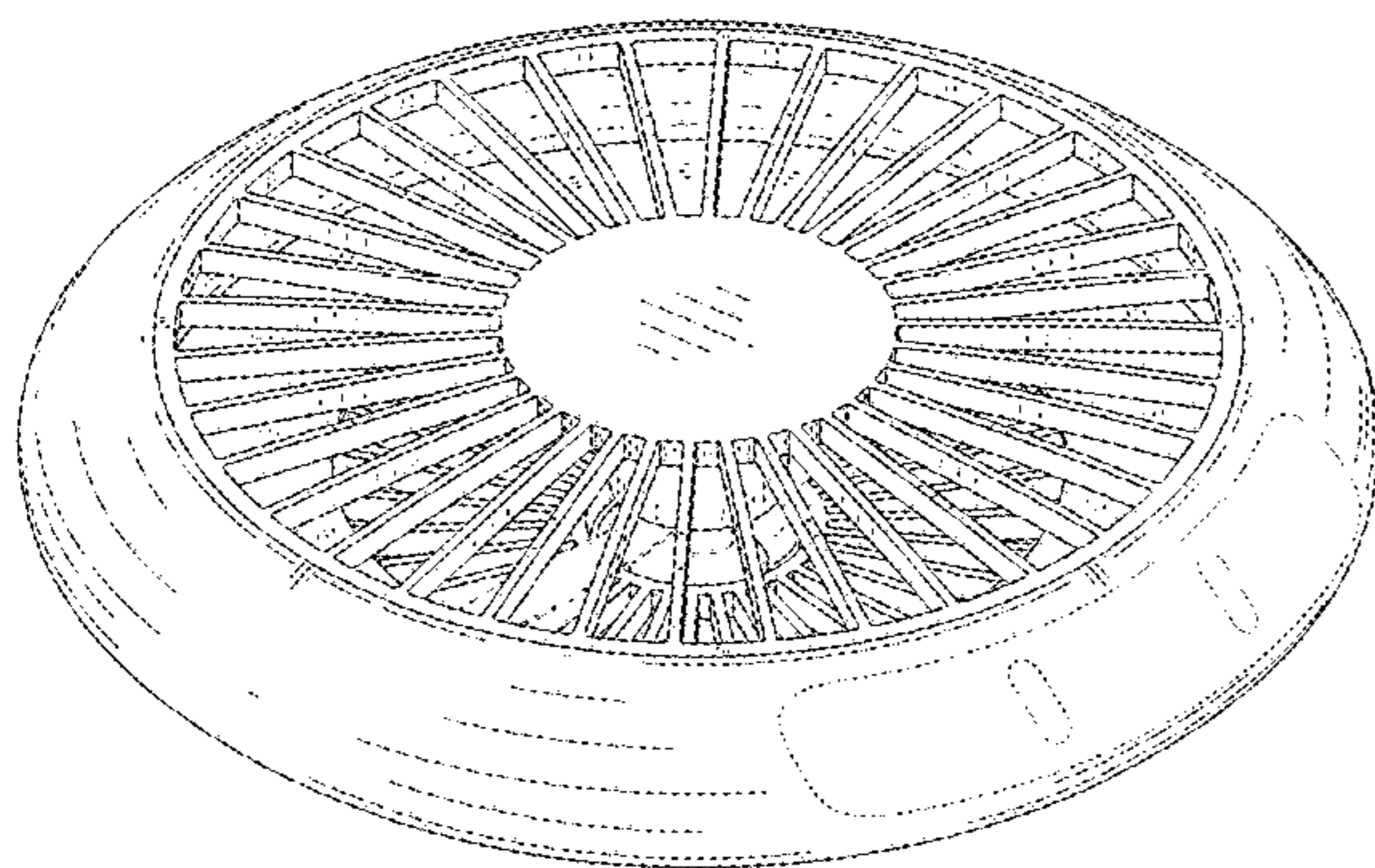
FIG. 6 is a top view thereof;

FIG. 7 is a bottom view thereof; and,

FIG. 8 is a bottom perspective view thereof.

The dashed broken lines in the drawings represent portions of the drone that form no part of the claimed design.

1 Claim, 8 Drawing Sheets



(56)

References Cited

U.S. PATENT DOCUMENTS

D387,817 S * 12/1997 Noyes D21/443
D388,134 S * 12/1997 Dunipace D21/443
D390,282 S * 2/1998 Burdick D21/443
D394,040 S * 5/1998 O’Neal D12/325
D396,497 S * 7/1998 Benson D21/440
D466,562 S * 12/2002 Peterson D21/443
D466,954 S * 12/2002 Vodhanel, Jr. D21/443
D478,944 S * 8/2003 Peterson D21/443
D487,048 S * 2/2004 Brunner D12/325
D502,225 S * 2/2005 Kotsonis D21/444
D527,428 S * 8/2006 Cooper D21/443
D536,396 S * 2/2007 Crane D21/444
D541,206 S * 4/2007 Brunner D12/325
D542,359 S * 5/2007 Vodhanel, Jr. A63H 33/18
D21/443
D543,495 S * 5/2007 Williams D12/345
D559,920 S * 1/2008 Krueger D21/443
D572,315 S * 7/2008 Sowinski D21/443
D583,293 S * 12/2008 Frost D12/319
7,712,701 B1 * 5/2010 Ehrmantraut B64C 27/20
244/17.23

D640,329 S * 6/2011 Oblack D21/444
D640,756 S * 6/2011 Busse D21/390
D659,197 S * 5/2012 Slone D21/443
D665,036 S * 8/2012 Wechsler D21/444
D678,422 S * 3/2013 Thompson D12/325
D680,280 S * 4/2013 Nielsen D30/160
D725,713 S * 3/2015 Thompson D21/443
D725,714 S * 3/2015 Kim D21/443
D765,188 S * 8/2016 LaRussa D21/444
D769,985 S * 10/2016 Roberts D20/18
D780,665 S * 3/2017 Blincow D12/320
D798,221 S * 9/2017 Kaiser D12/325
D798,795 S * 10/2017 Fenny D12/328
2003/0013373 A1 * 1/2003 Bloeme A63H 33/18
446/46

OTHER PUBLICATIONS

“Nine Strange Flying Robots from the 2015 Drone Show”, Cyber Security Intelligence, May 19, 2015, <https://www.cybersecurityintelligence.com/blog/nine-strange-flying-robots-from-the-2015-drone-show-302.html> (Last accessed Oct. 18, 2016).

* cited by examiner

FIG. 1

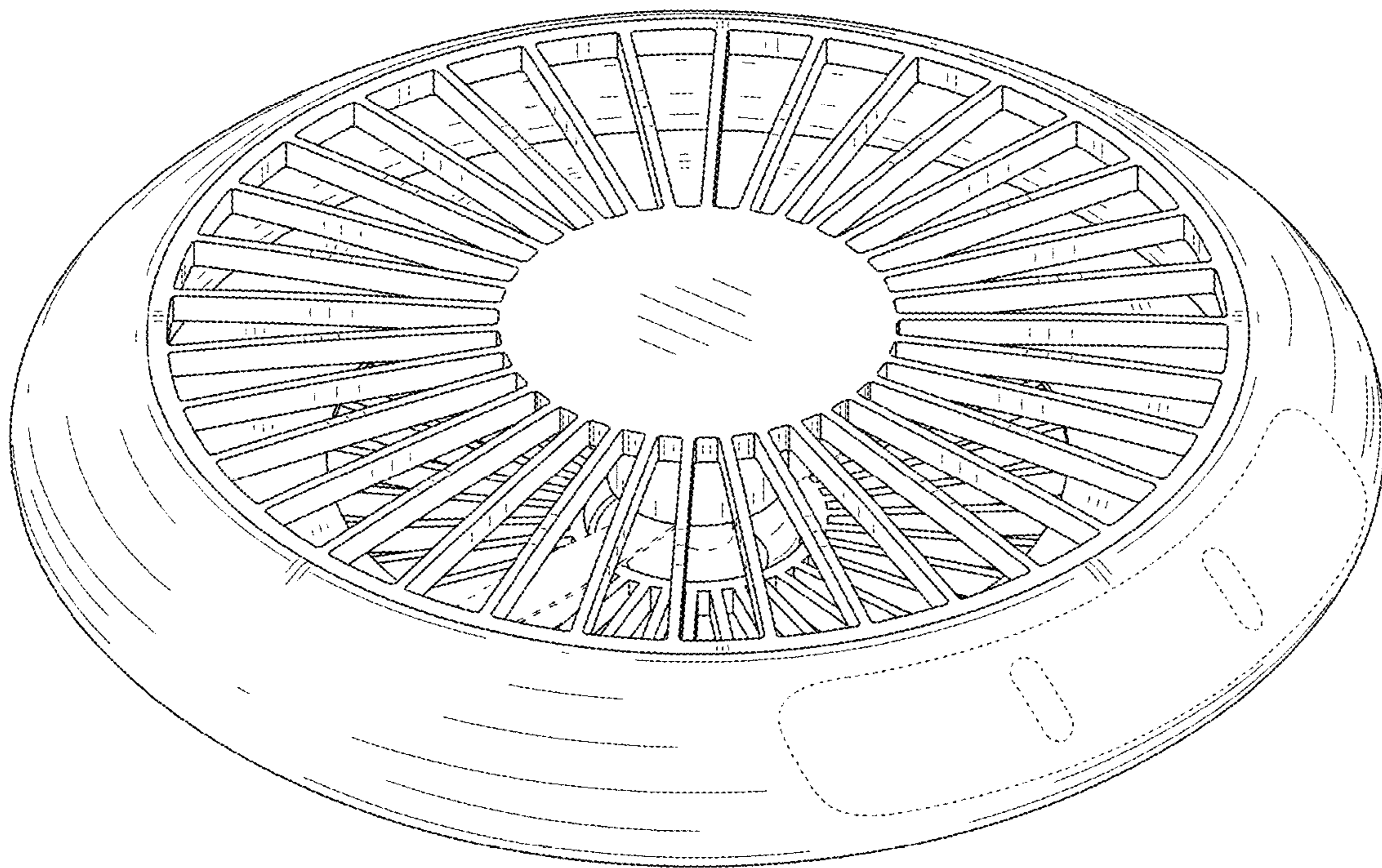


FIG. 2

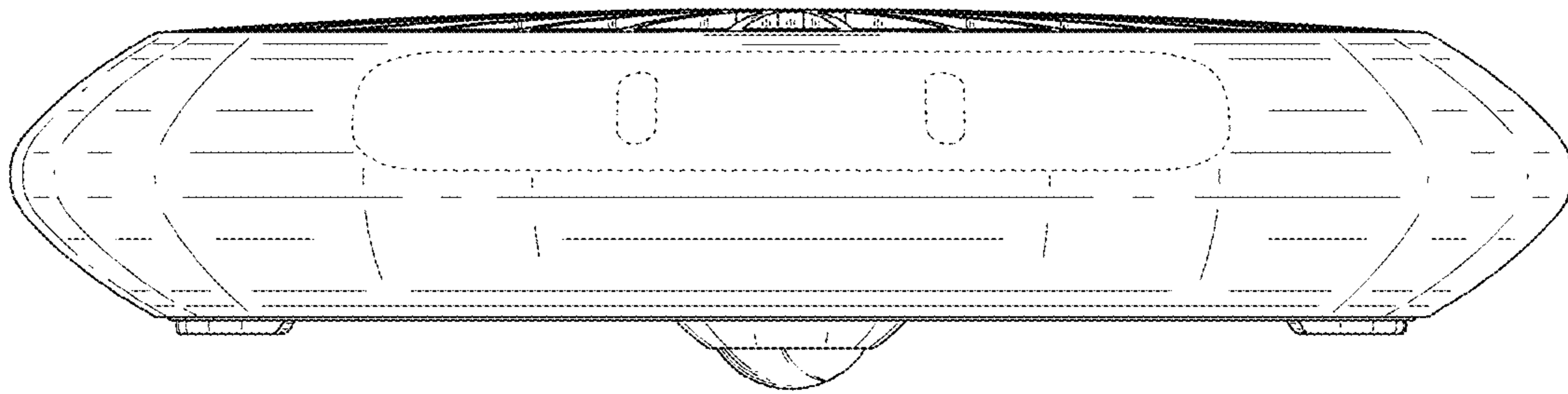


FIG. 3

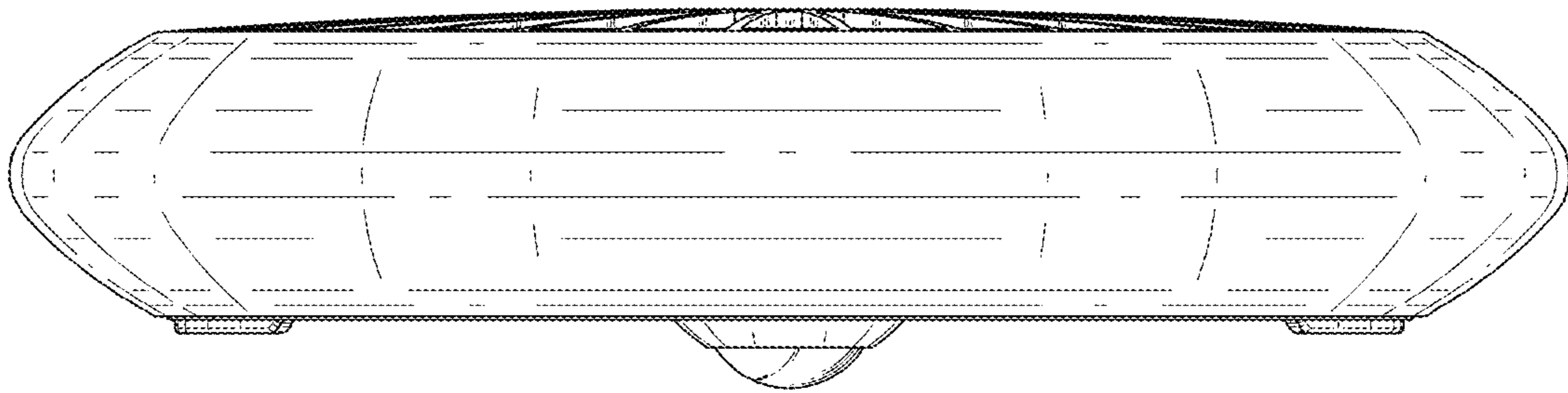


FIG. 4

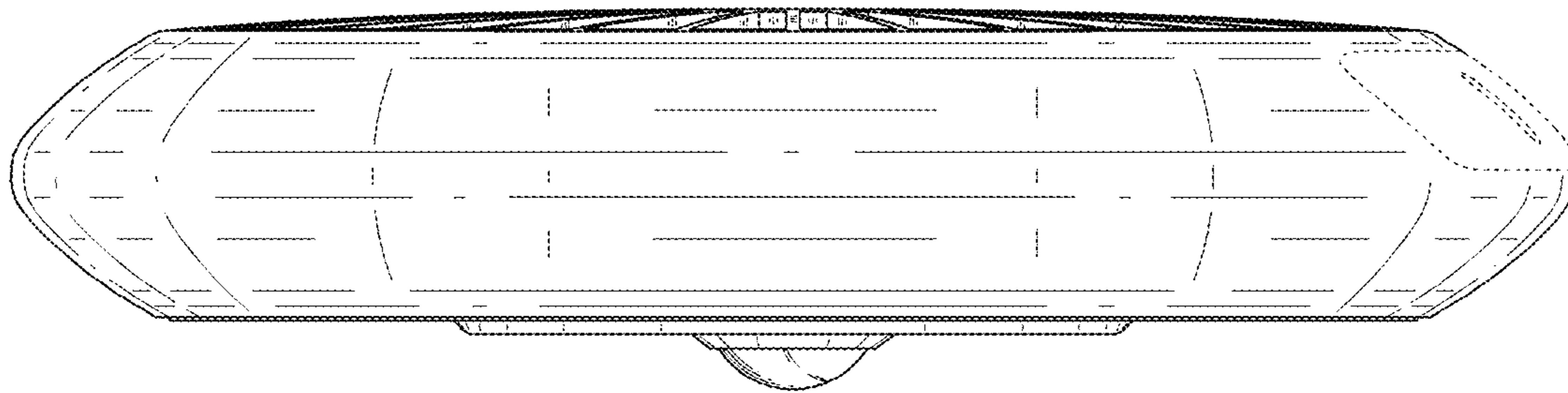


FIG. 5

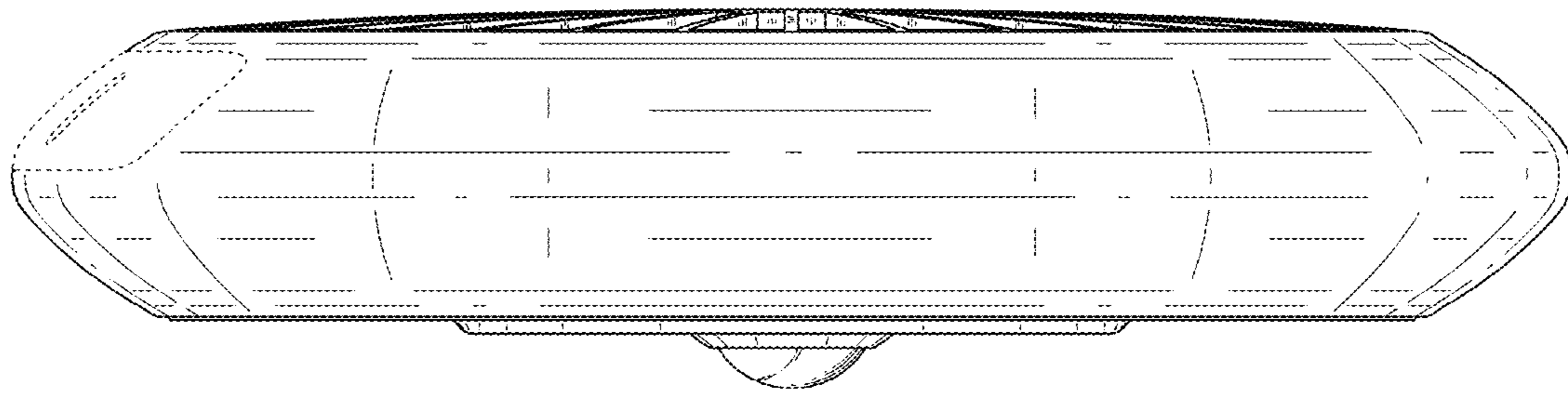


FIG. 6

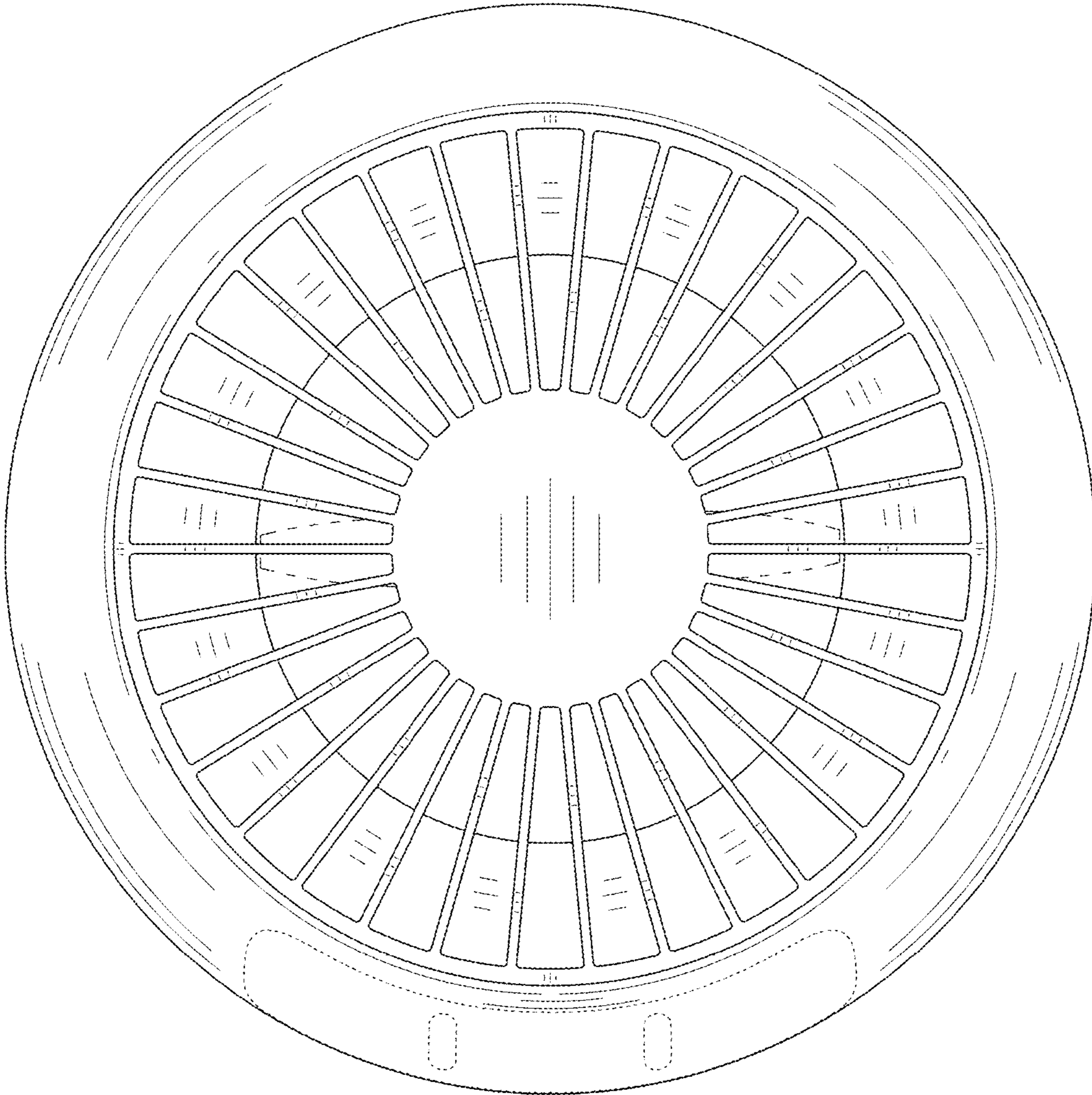


FIG. 7

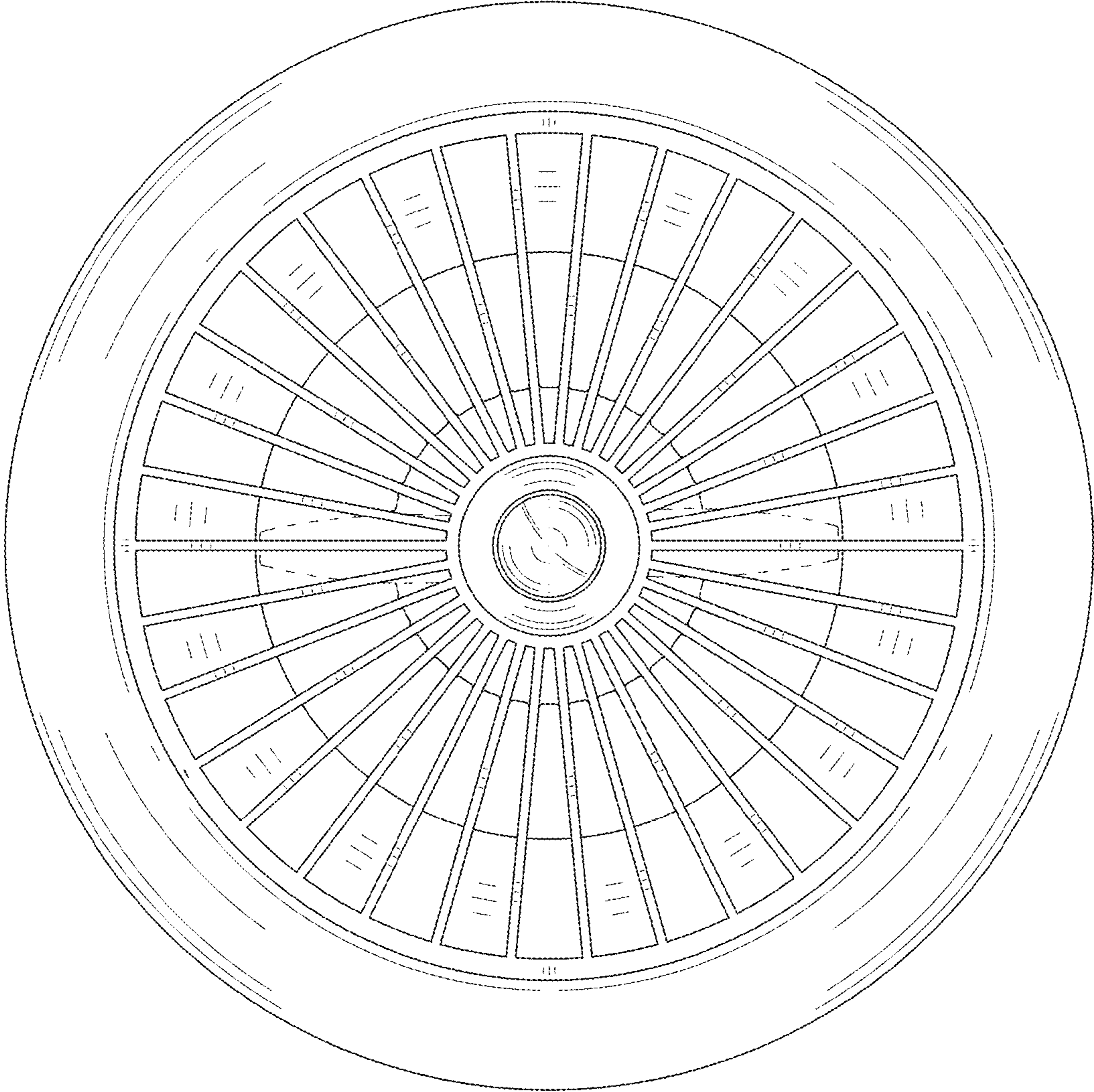


FIG. 8

