



US00D817249S

(12) **United States Design Patent**
Bourlakov

(10) **Patent No.:** **US D817,249 S**
(45) **Date of Patent:** **** May 8, 2018**

- (54) **BOW PORTION OF A SHIP HULL**
- (71) Applicant: **Hermitage FO SARL**, Monaco (MC)
- (72) Inventor: **Oleg Bourlakov**, Moscow (RU)
- (73) Assignee: **HERMITAGE FO SARL**, Monaco (MC)
- (**) Term: **15 Years**
- (21) Appl. No.: **29/564,127**
- (22) Filed: **May 11, 2016**
- (30) **Foreign Application Priority Data**

Nov. 11, 2015 (EM) 002855551-0001
 Nov. 11, 2015 (EM) 002855551-0002

- (51) **LOC (11) Cl.** **29-02**
- (52) **U.S. Cl.**
USPC **D12/300**
- (58) **Field of Classification Search**
USPC D12/317, 302-304, 308-310, 318, 2, 3;
D08/300, 315-316, 319-321;
D21/805-806, 839-840, 775, 777
CPC B63B 35/815; B63B 35/7946; B63B
35/7926; B63B 35/7923; B63B 15/00;
B63B 3/00; B63B 3/02; B63B 3/09;
B63B 3/10; B63B 3/12; B63B 3/13;
B63B 3/14; B63B 17/00; B63B 17/02;
B63B 25/18; B63B 21/56; B63B 21/66;
B63B 21/663; B63B 21/54; B63B 21/045;
B63B 21/04; B63B 27/22; B63B 1/248;
B63B 1/242; B63B 1/24; B63B 1/28;
B63B 1/30; B63B 1/26; B63B 1/04;
B63B 2039/063; B63B 2017/026; B63H
20/24; E04H 15/60

See application file for complete search history.

(56) **References Cited**

U.S. PATENT DOCUMENTS

D35,590 S * 1/1902 Flinot D12/304
 4,135,687 A * 1/1979 Jones, Jr. B63B 1/28
 244/90 R

5,398,632 A * 3/1995 Goldbach B63B 59/06
 114/222
 5,619,944 A * 4/1997 Baker B63B 1/042
 114/283
 5,676,087 A * 10/1997 Baker B63B 1/20
 114/283
 5,967,071 A * 10/1999 Wipper B63B 1/38
 114/67 A
 9,611,010 B2 * 4/2017 Kapteijn B63B 1/38
 2010/0064959 A1 * 3/2010 Huang B63B 1/38
 114/67 A
 2013/0000538 A1 * 1/2013 Connolly B63B 43/16
 114/229
 2013/0139744 A1 * 6/2013 Le Buzit B63B 59/045
 114/361
 2013/0269589 A1 * 10/2013 Kapteijn B63B 1/38
 114/67 A

* cited by examiner

Primary Examiner — Barbara Fox

Assistant Examiner — Messina L Smith

(74) *Attorney, Agent, or Firm* — Abelman, Frayne & Schwab

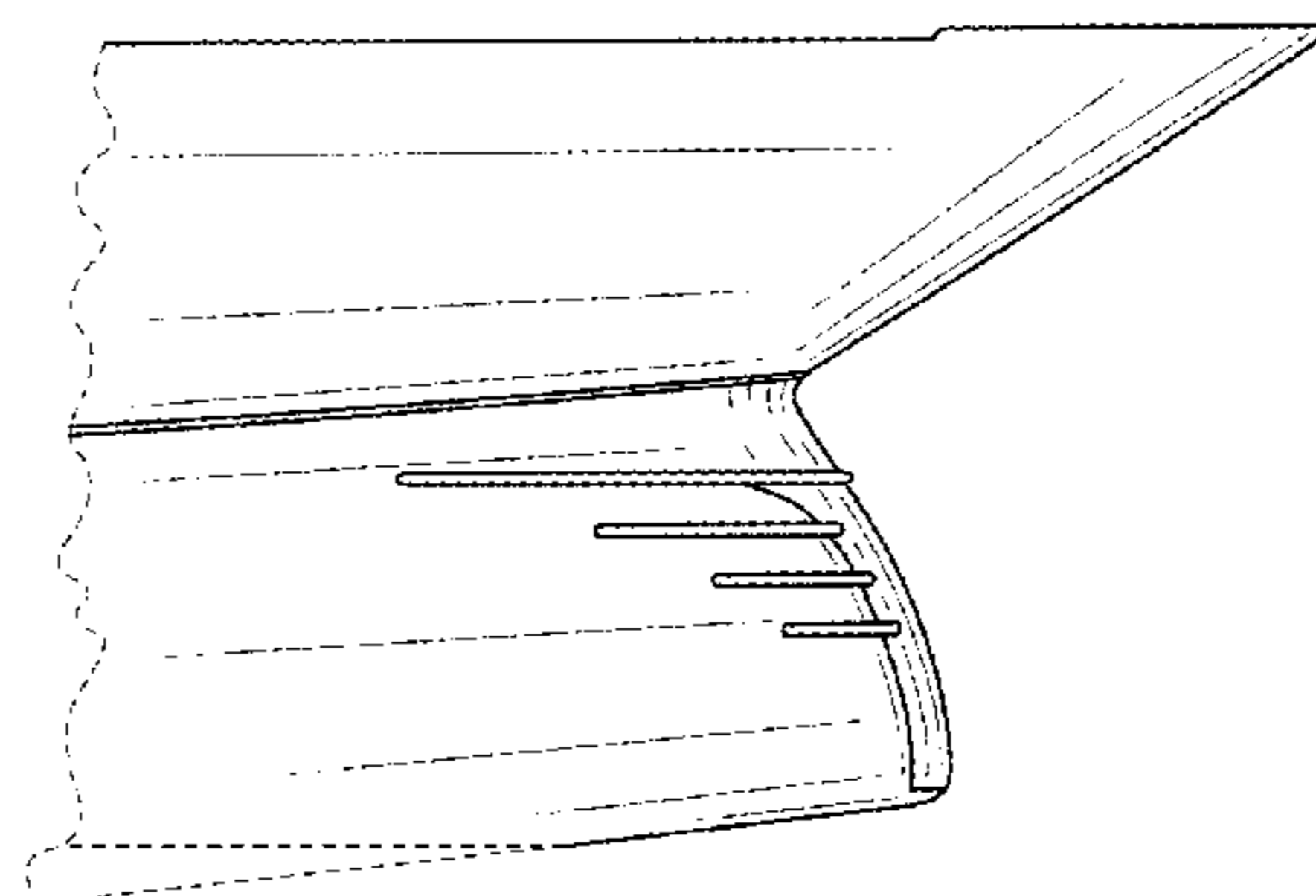
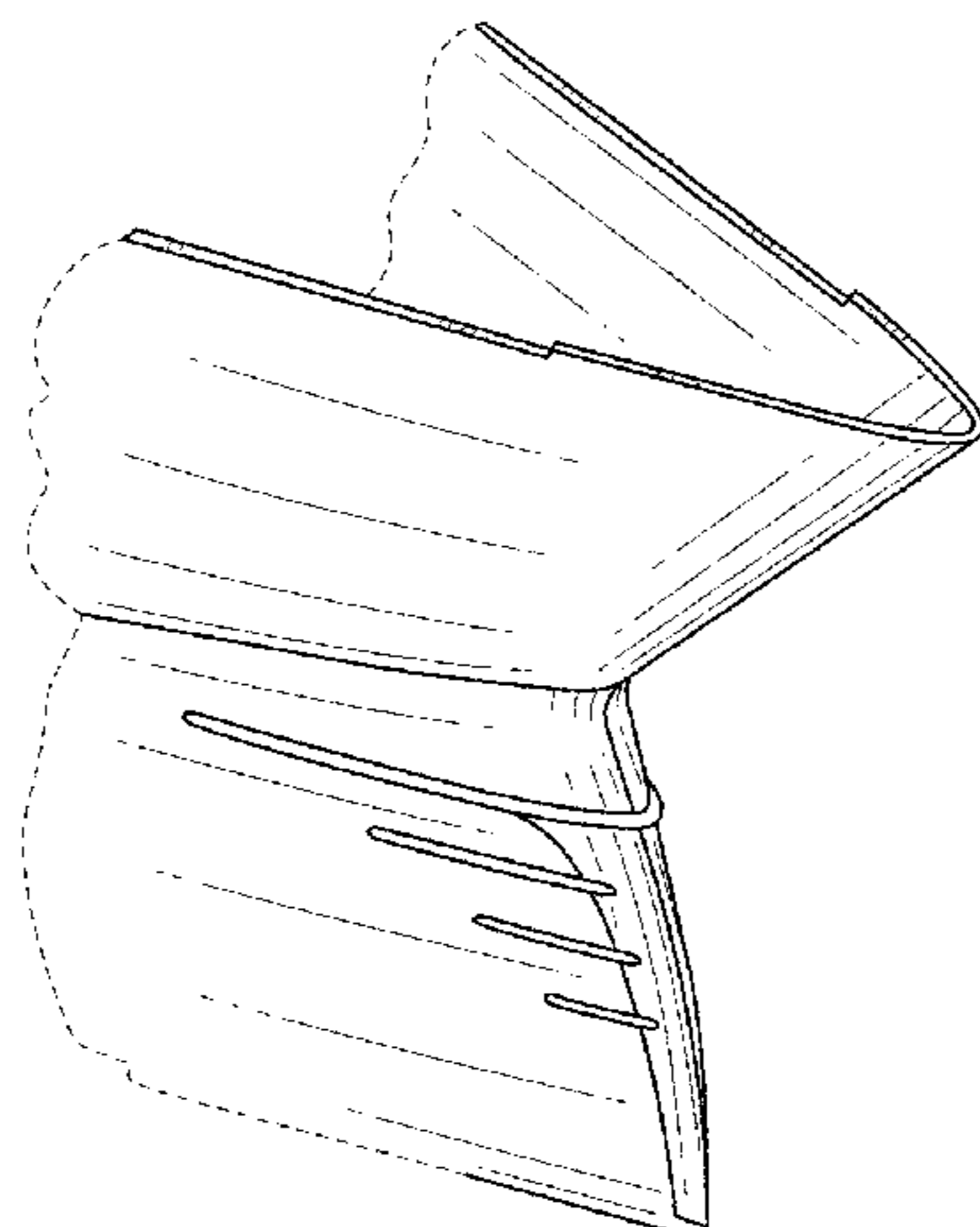
(57) **CLAIM**

The ornamental design for a bow portion of a ship hull, as shown and described.

DESCRIPTION

FIG. 1 is a top, front and right side perspective view of a bow portion of a ship hull showing the new design;
 FIG. 2 is a top plan thereof;
 FIG. 3 is a right side elevation thereof;
 FIG. 4 is a left side elevation thereof;
 FIG. 5 is a front elevation thereof; and,
 FIG. 6 is a bottom plan thereof.
 The dashed broken lines define the bounds of the claimed design and form no part thereof.

1 Claim, 2 Drawing Sheets



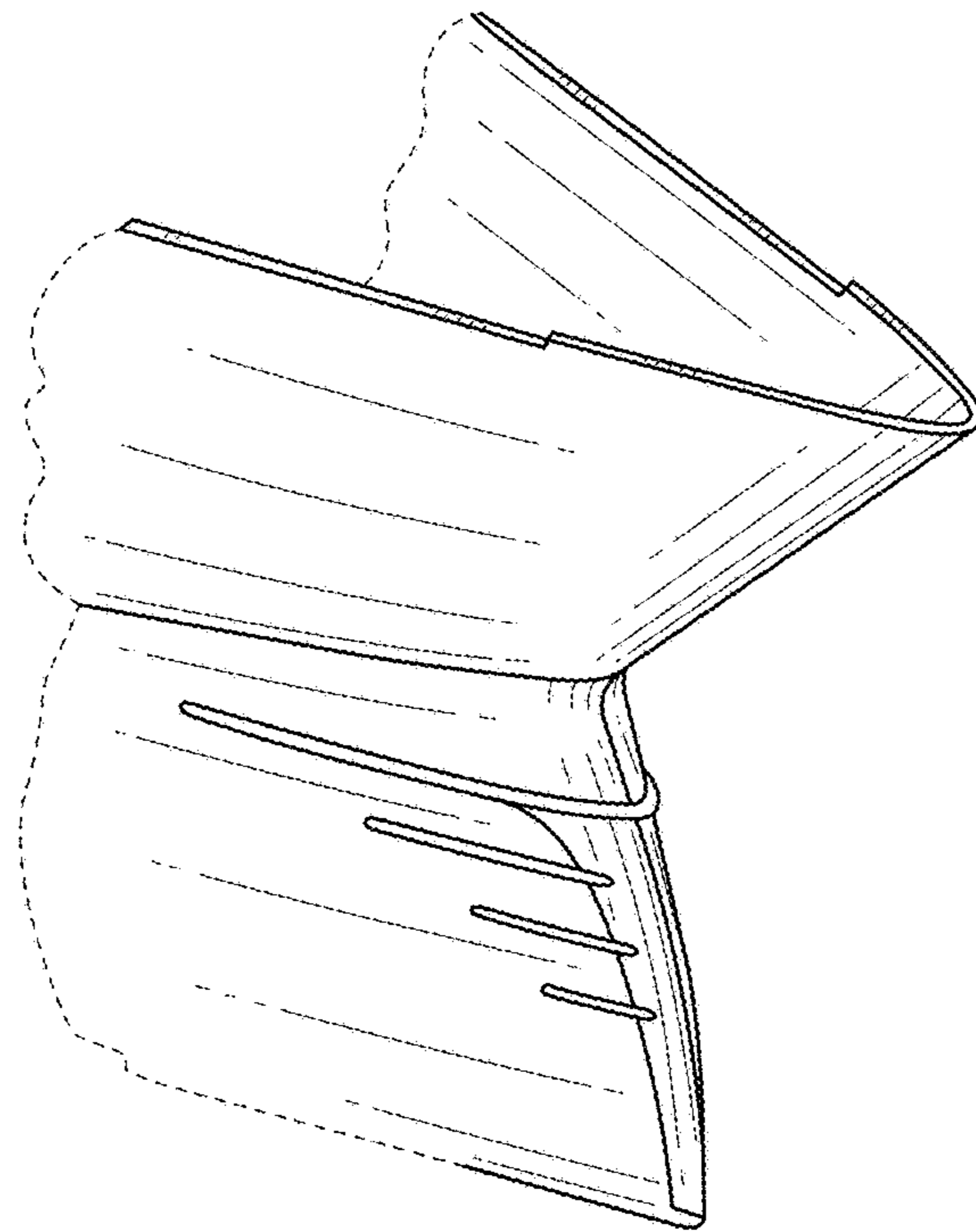


FIG. 1

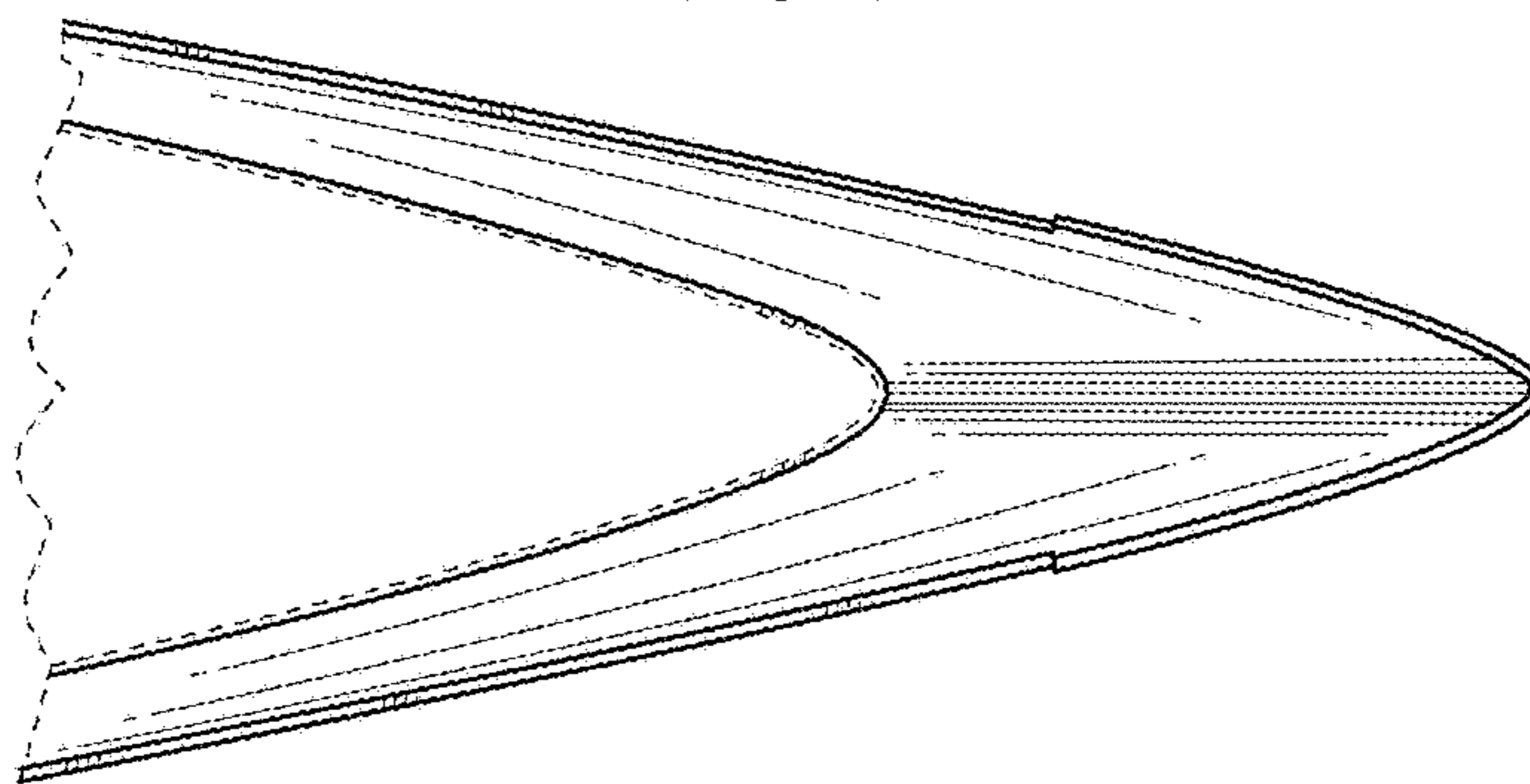


FIG. 2

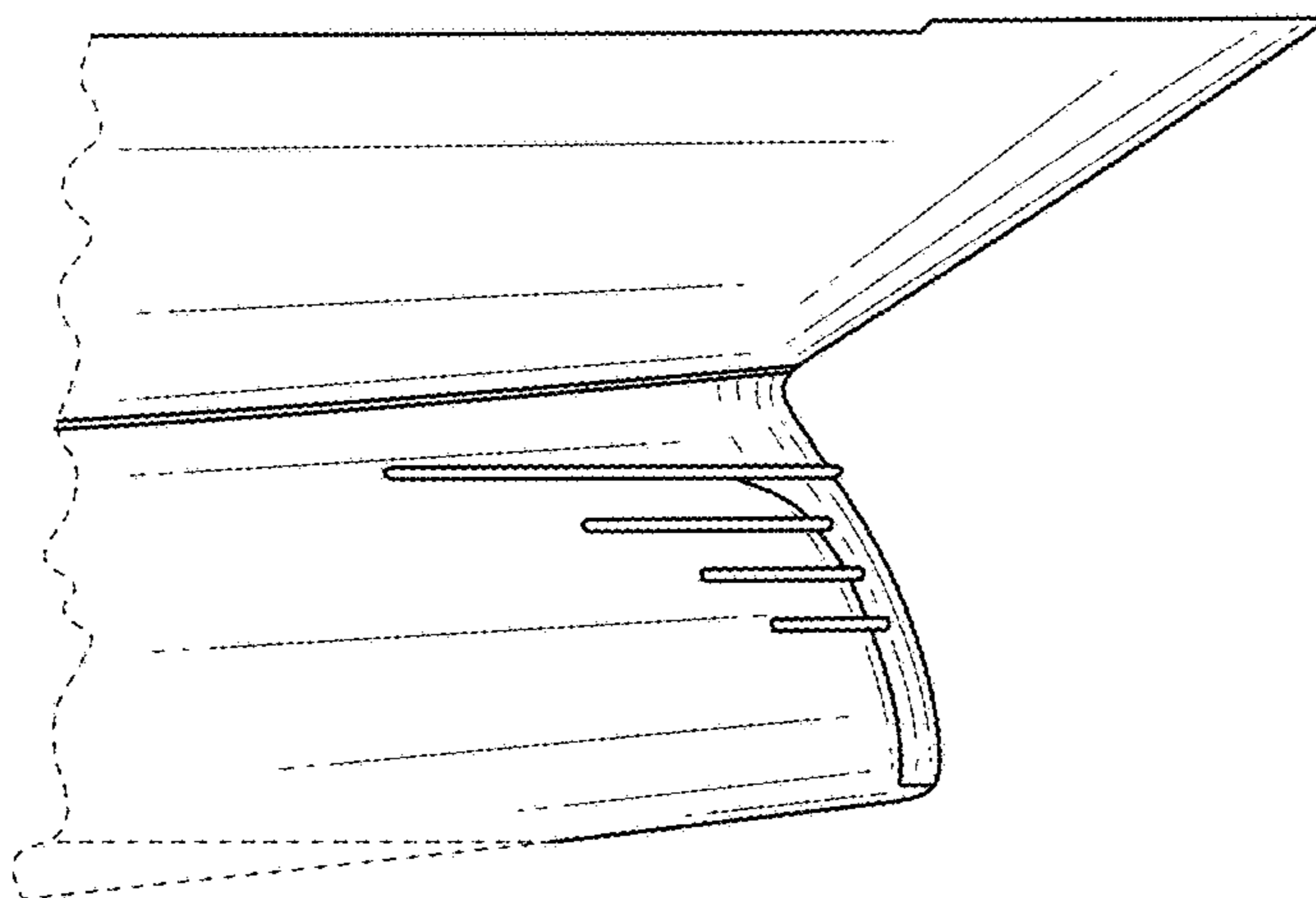


FIG. 3

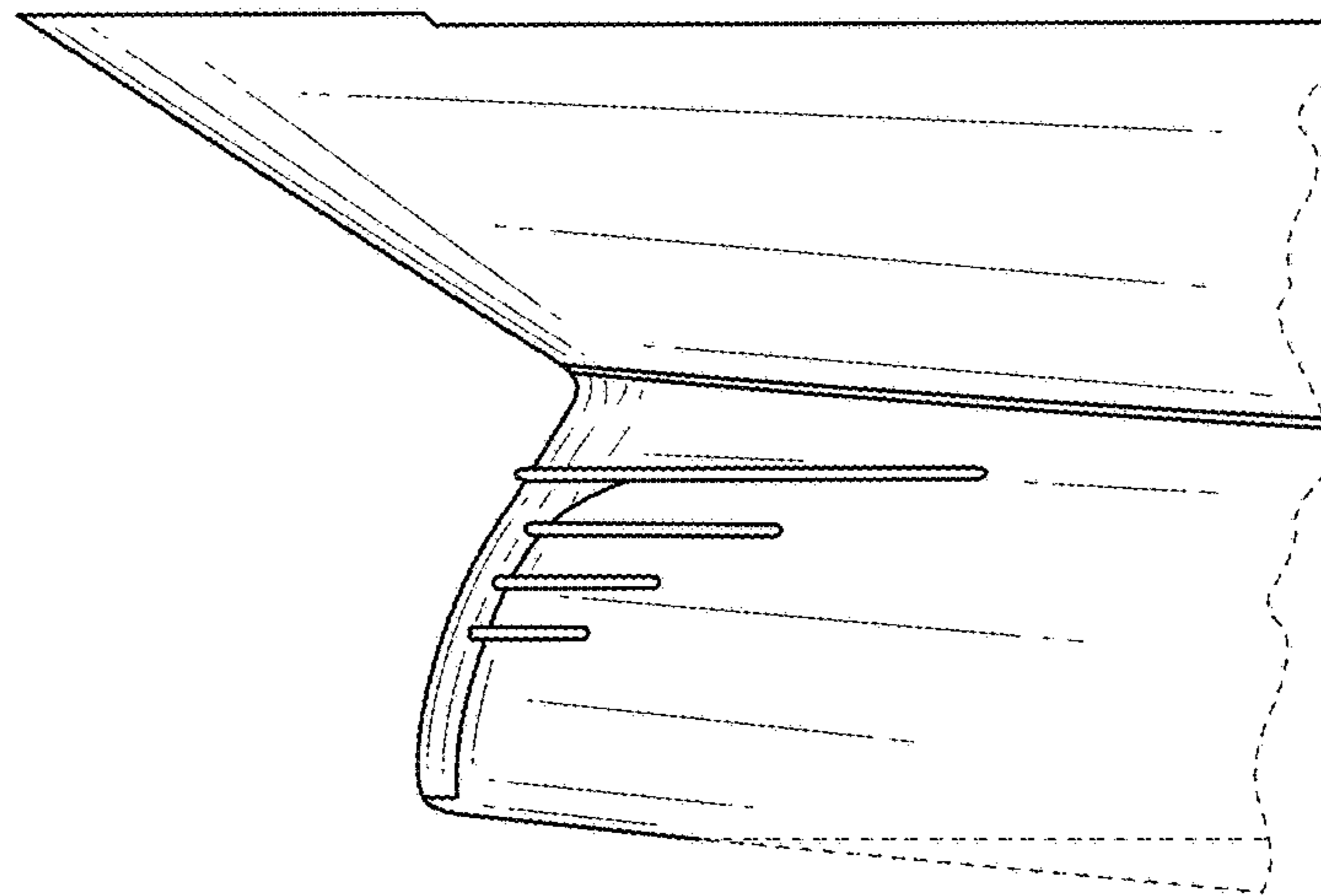


FIG. 4

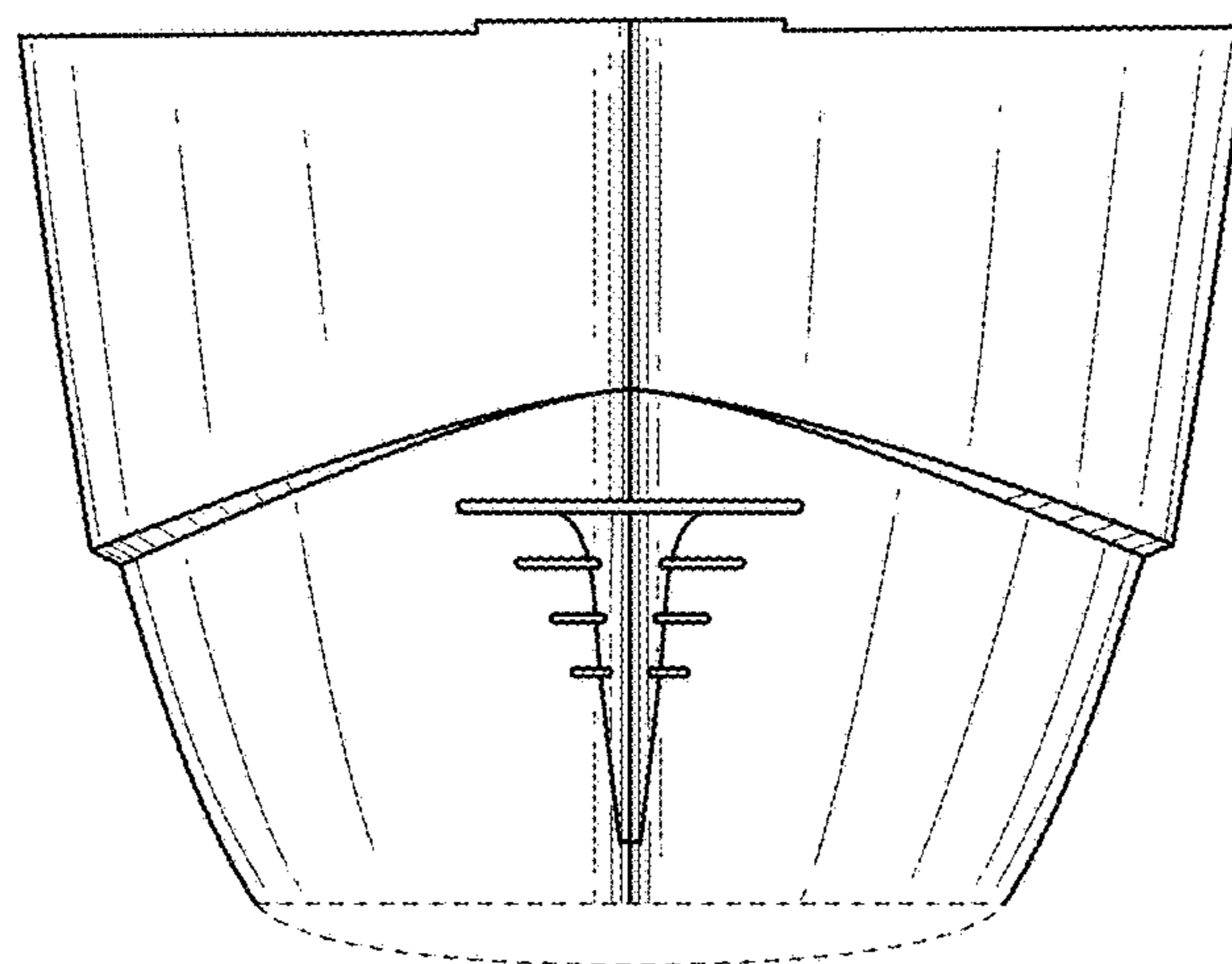


FIG. 5

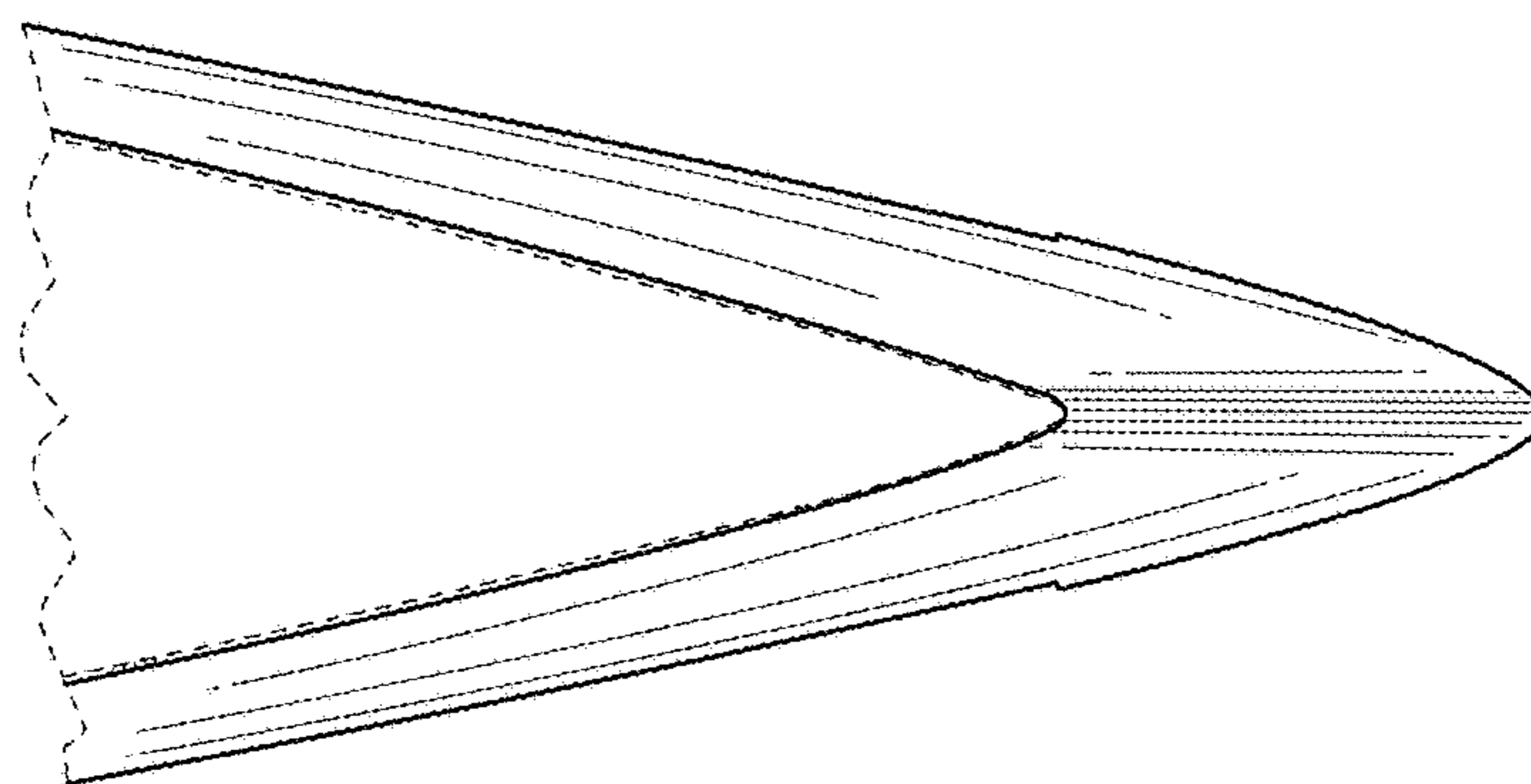


FIG. 6