



US00D817248S

(12) **United States Design Patent**
Bourlakov

(10) **Patent No.:** **US D817,248 S**

(45) **Date of Patent:** **** May 8, 2018**

(54) **BOW PORTION OF A SHIP HULL**

(71) Applicant: **Hermitage FO SARL**, Monaco (MC)

(72) Inventor: **Oleg Bourlakov**, Moscow (RU)

(73) Assignee: **HERMITAGE FO SARL**, Monaco (MC)

(**) Term: **15 Years**

(21) Appl. No.: **29/564,088**

(22) Filed: **May 10, 2016**

(30) **Foreign Application Priority Data**

Nov. 11, 2015 (EM) 002855551-0001
Nov. 11, 2015 (EM) 002855551-0002

(51) **LOC (11) Cl.** **29-02**

(52) **U.S. Cl.**
USPC **D12/300**

(58) **Field of Classification Search**

USPC D12/317, 302-304, 308-310, 318, 2, 3;
D08/300, 315-316, 319-321;
D21/805-806, 839-840, 775, 777
CPC B63B 35/815; B63B 35/7946; B63B
35/7926; B63B 35/7923; B63B 15/00;
B63B 3/00; B63B 3/02; B63B 3/09;
B63B 3/10; B63B 3/12; B63B 3/13;
B63B 3/14; B63B 17/00; B63B 17/02;
B63B 25/18; B63B 21/56; B63B 21/66;
B63B 21/663; B63B 21/54; B63B 21/045;
B63B 21/04; B63B 27/22; B63B 1/248;
B63B 1/242; B63B 1/24; B63B 1/28;
B63B 1/30; B63B 1/26; B63B 1/04;
B63B 2039/063; B63B 2017/026; B63H
20/24; E04H 15/60

See application file for complete search history.

(56) **References Cited**

U.S. PATENT DOCUMENTS

D35,590 S * 1/1902 Flinot D12/304
4,135,687 A * 1/1979 Jones, Jr. B63B 1/28
244/90 R

5,398,632 A * 3/1995 Goldbach B63B 59/06
114/222
5,619,944 A * 4/1997 Baker B63B 1/042
114/283
5,676,087 A * 10/1997 Baker B63B 1/20
114/283
5,967,071 A * 10/1999 Wipper B63B 1/38
114/67 A
9,611,010 B2 * 4/2017 Kapteijn B63B 1/38
2010/0064959 A1 * 3/2010 Huang B63B 1/38
114/67 A
2013/0000538 A1 * 1/2013 Connolly B63B 43/16
114/229
2013/0139744 A1 * 6/2013 Le Buzit B63B 59/045
114/361
2013/0269589 A1 * 10/2013 Kapteijn B63B 1/38
114/67 A

* cited by examiner

Primary Examiner — Barbara Fox

Assistant Examiner — Messina L Smith

(74) *Attorney, Agent, or Firm* — Abelman, Frayne & Schwab

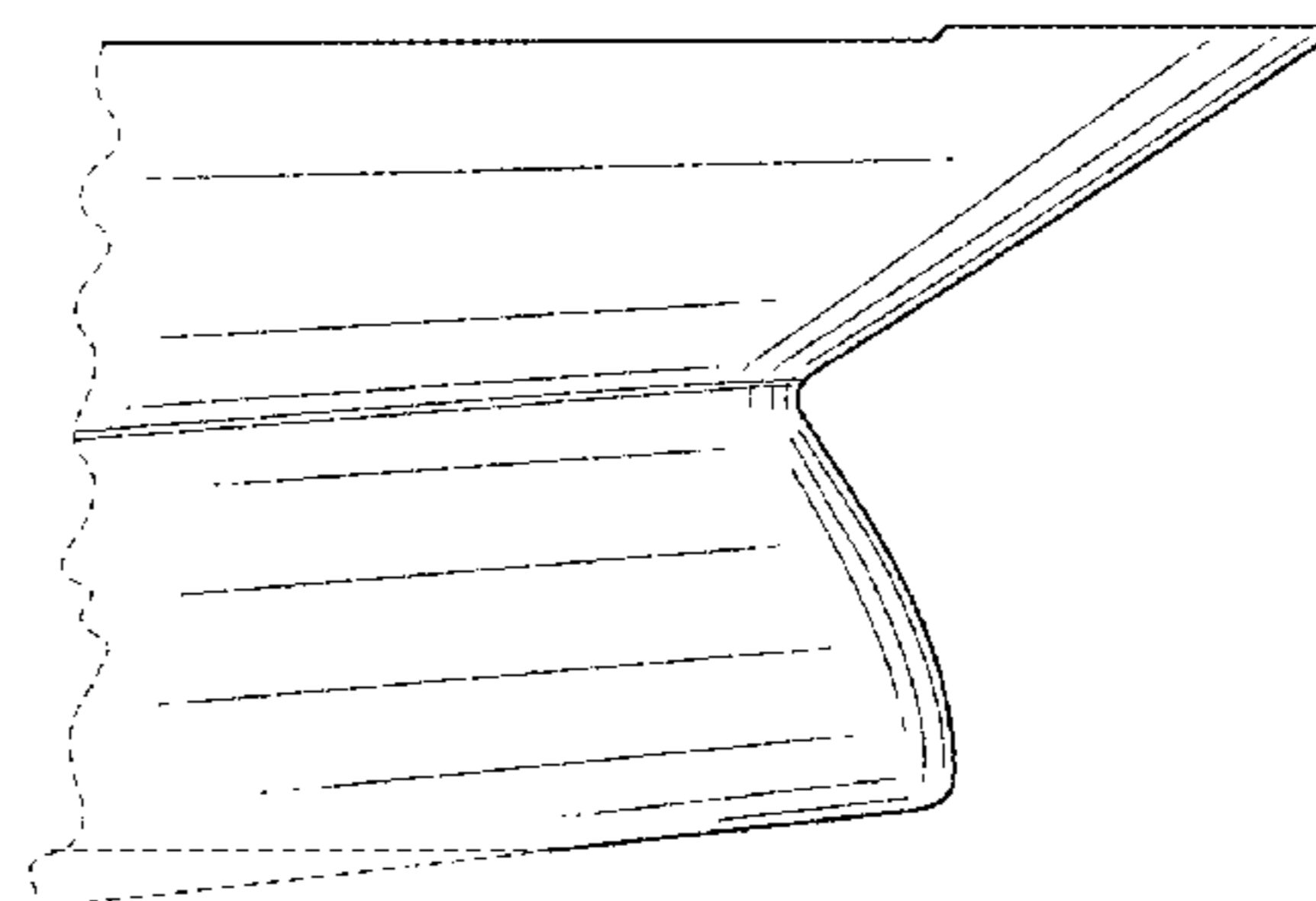
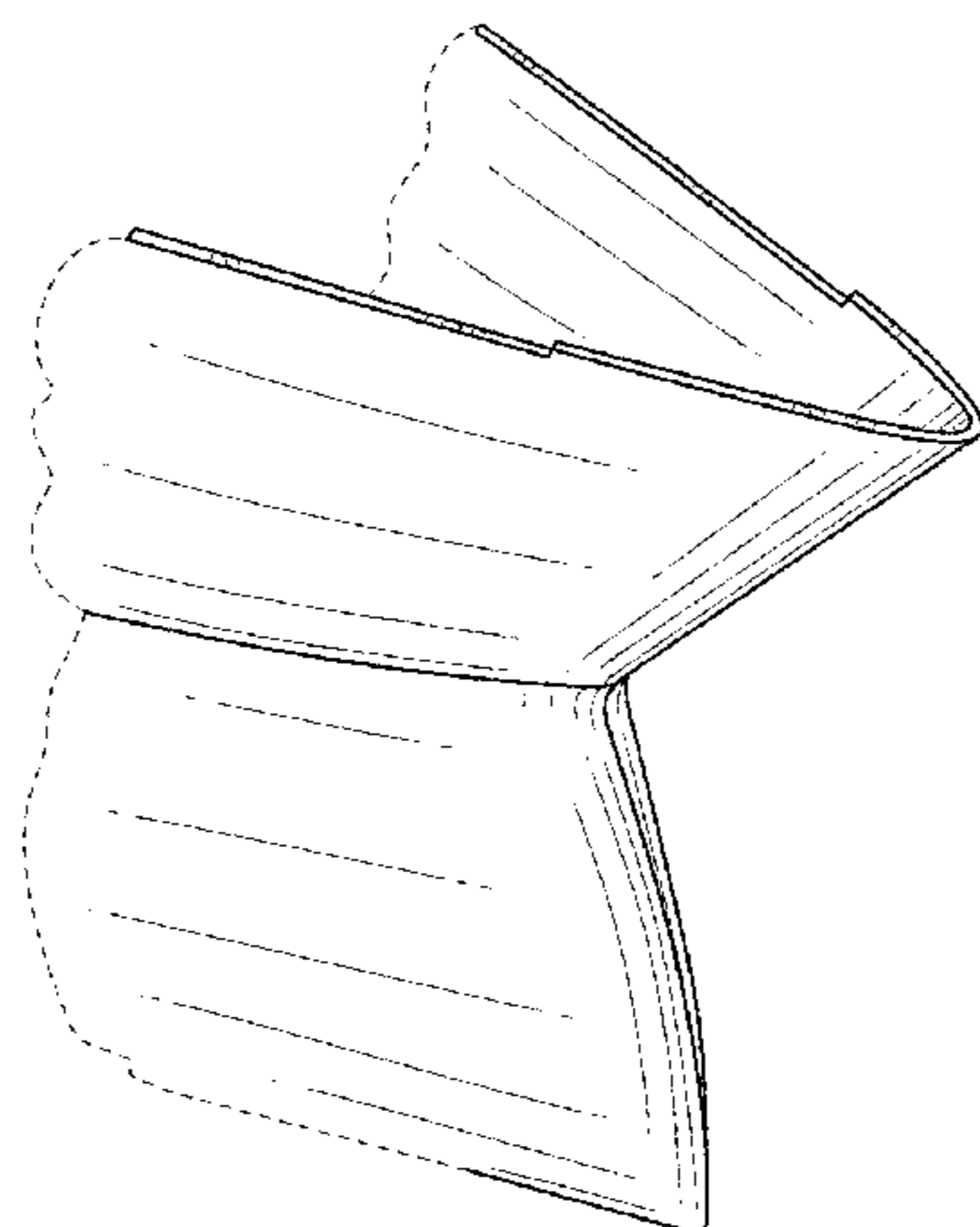
(57) **CLAIM**

The ornamental design for a bow portion of a ship hull, as shown and described.

DESCRIPTION

FIG. 1 is a top, front and right side perspective view of a bow portion of a ship hull showing the new design;
FIG. 2 is a top plan thereof;
FIG. 3 is a right side elevation thereof;
FIG. 4 is a left side elevation thereof;
FIG. 5 is a front elevation thereof; and,
FIG. 6 is a bottom plan thereof.
The dashed broken lines define the bounds of the claimed design and form no part thereof.

1 Claim, 2 Drawing Sheets



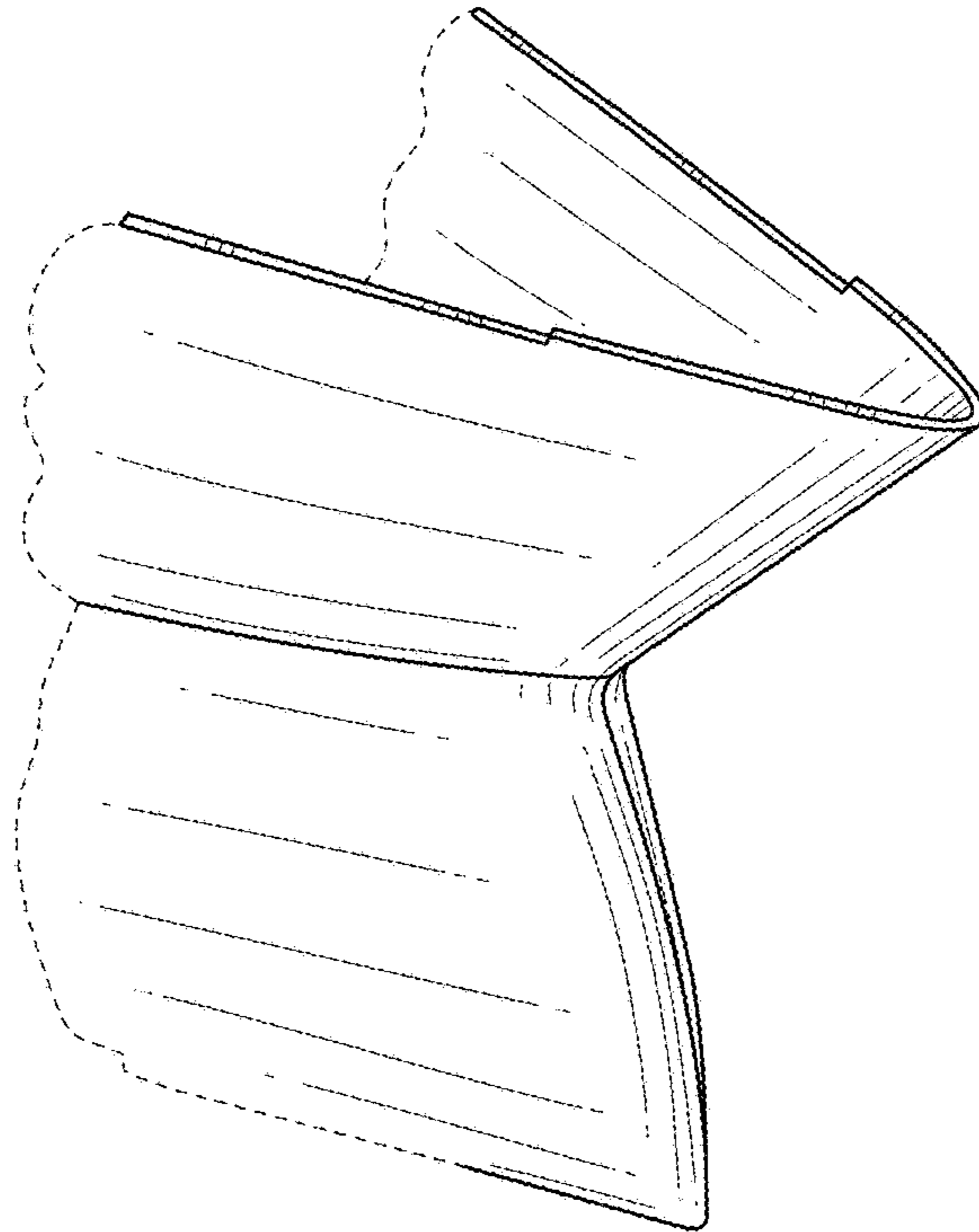


FIG. 1

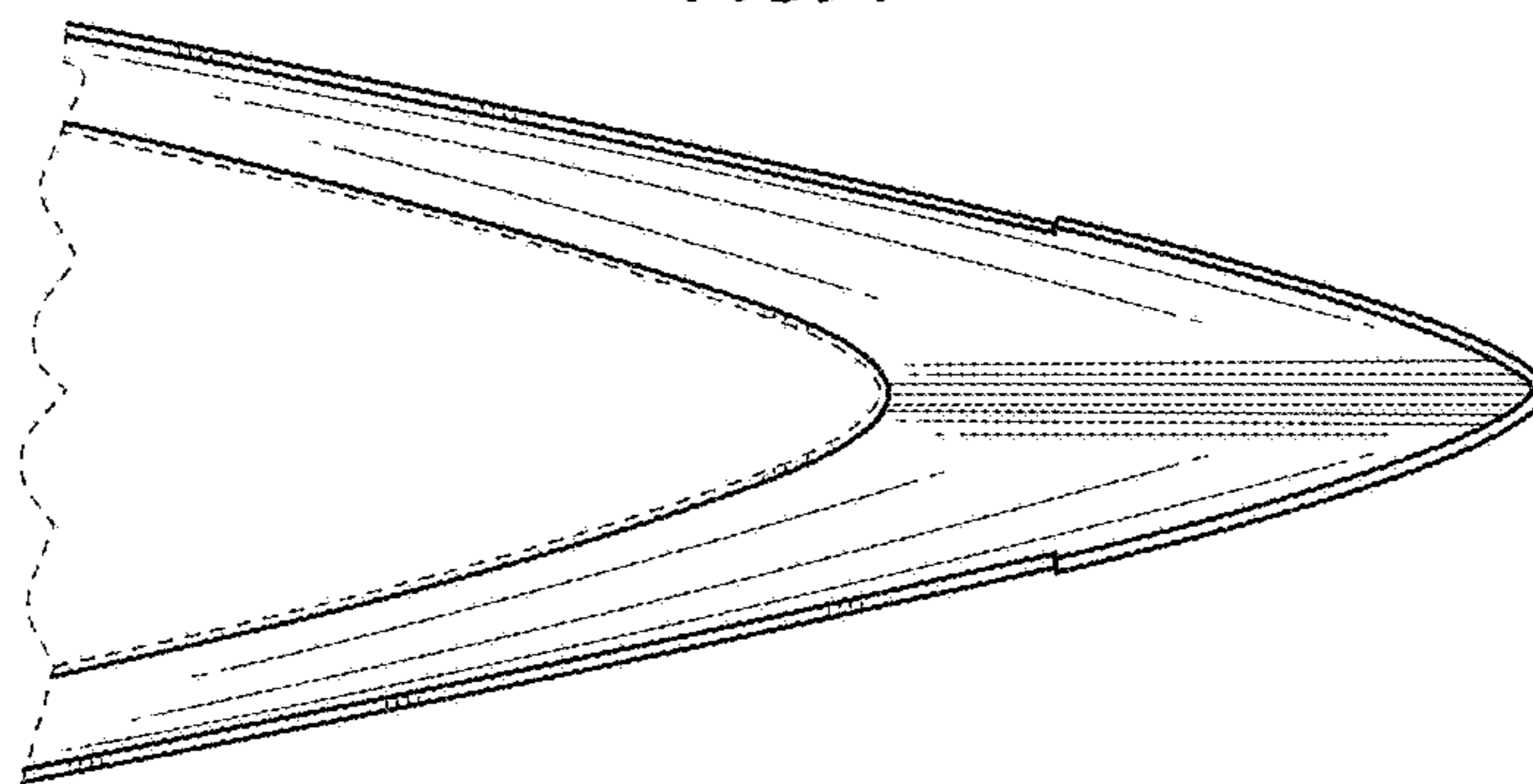


FIG. 2

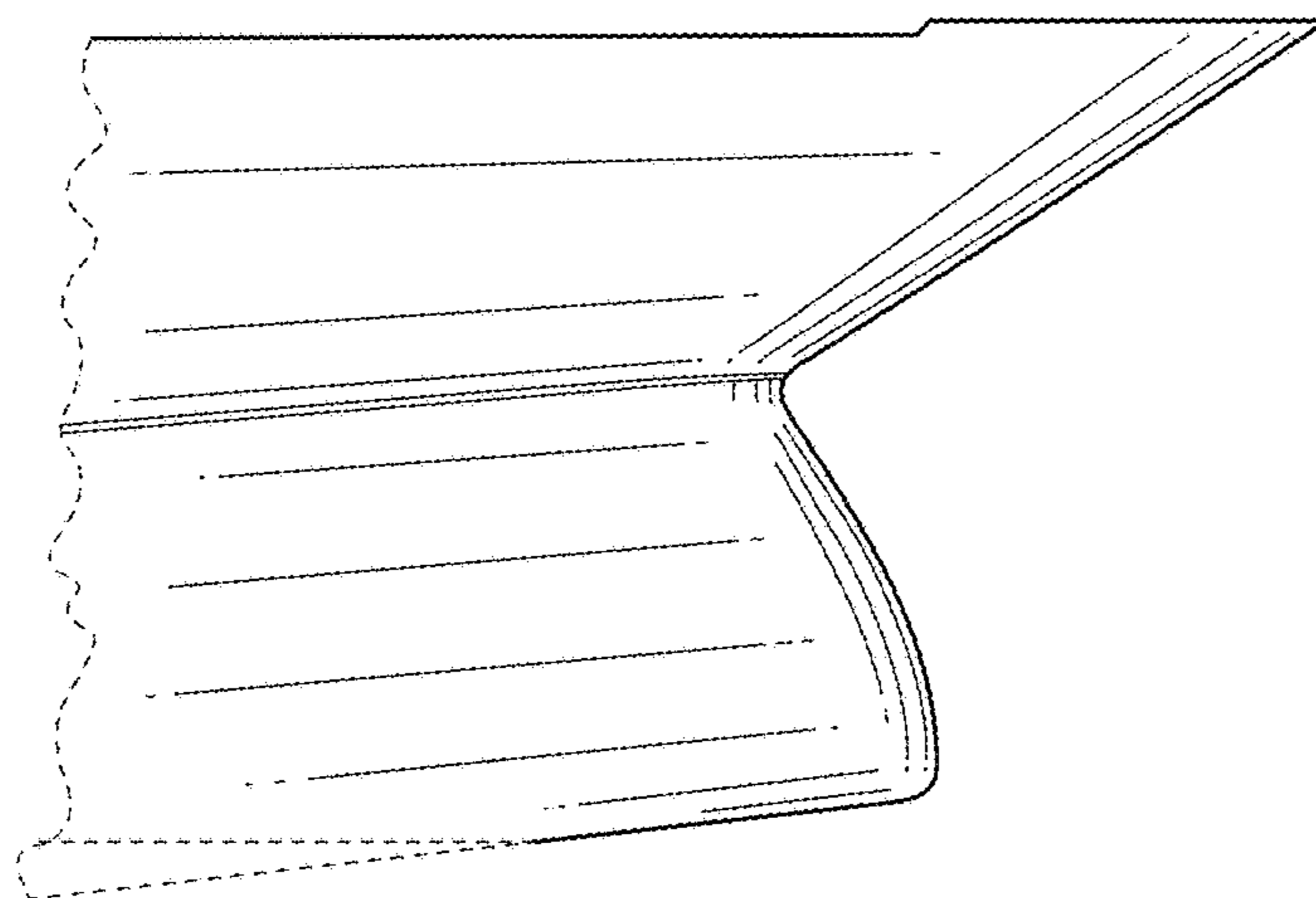


FIG. 3

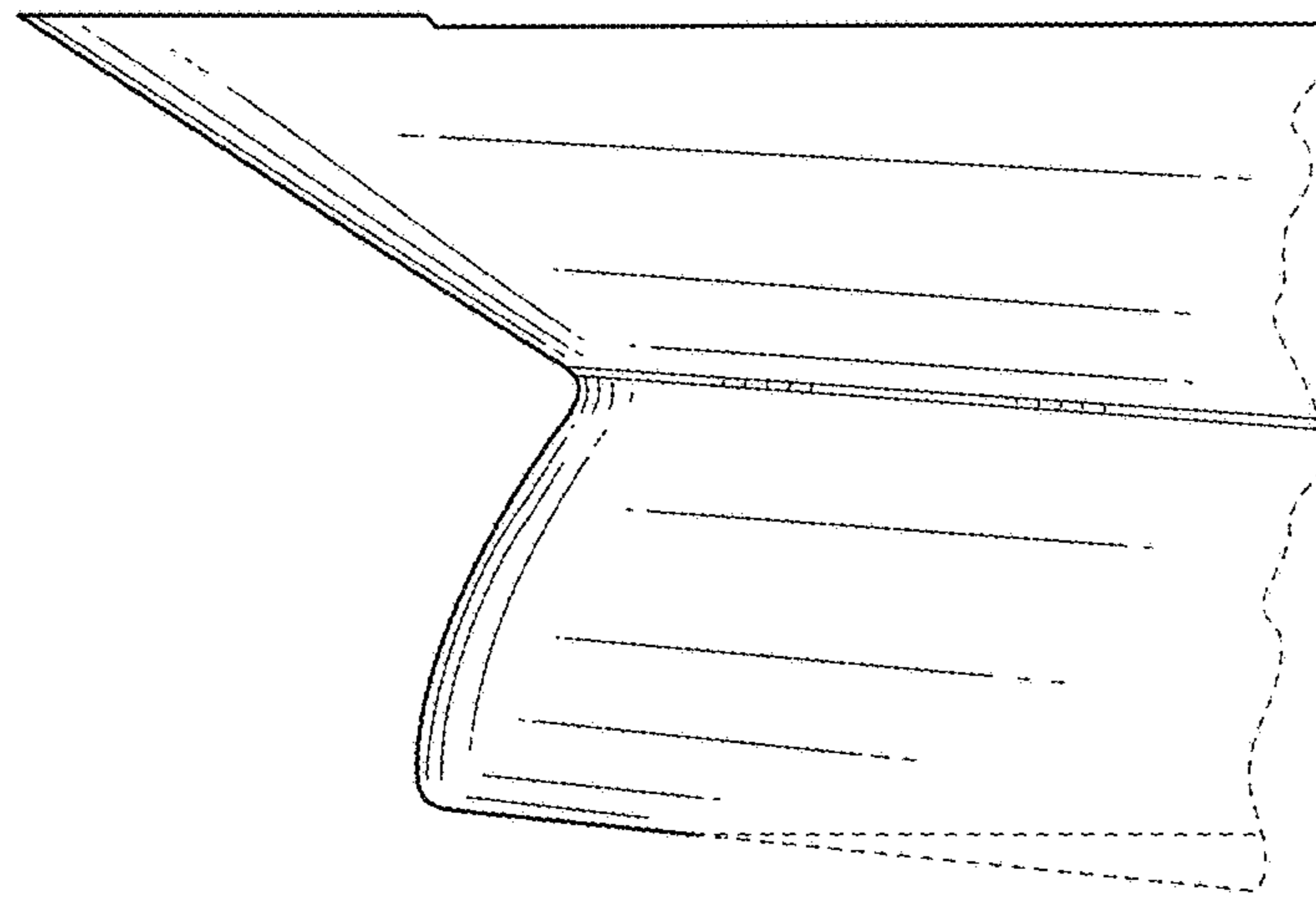


FIG. 4

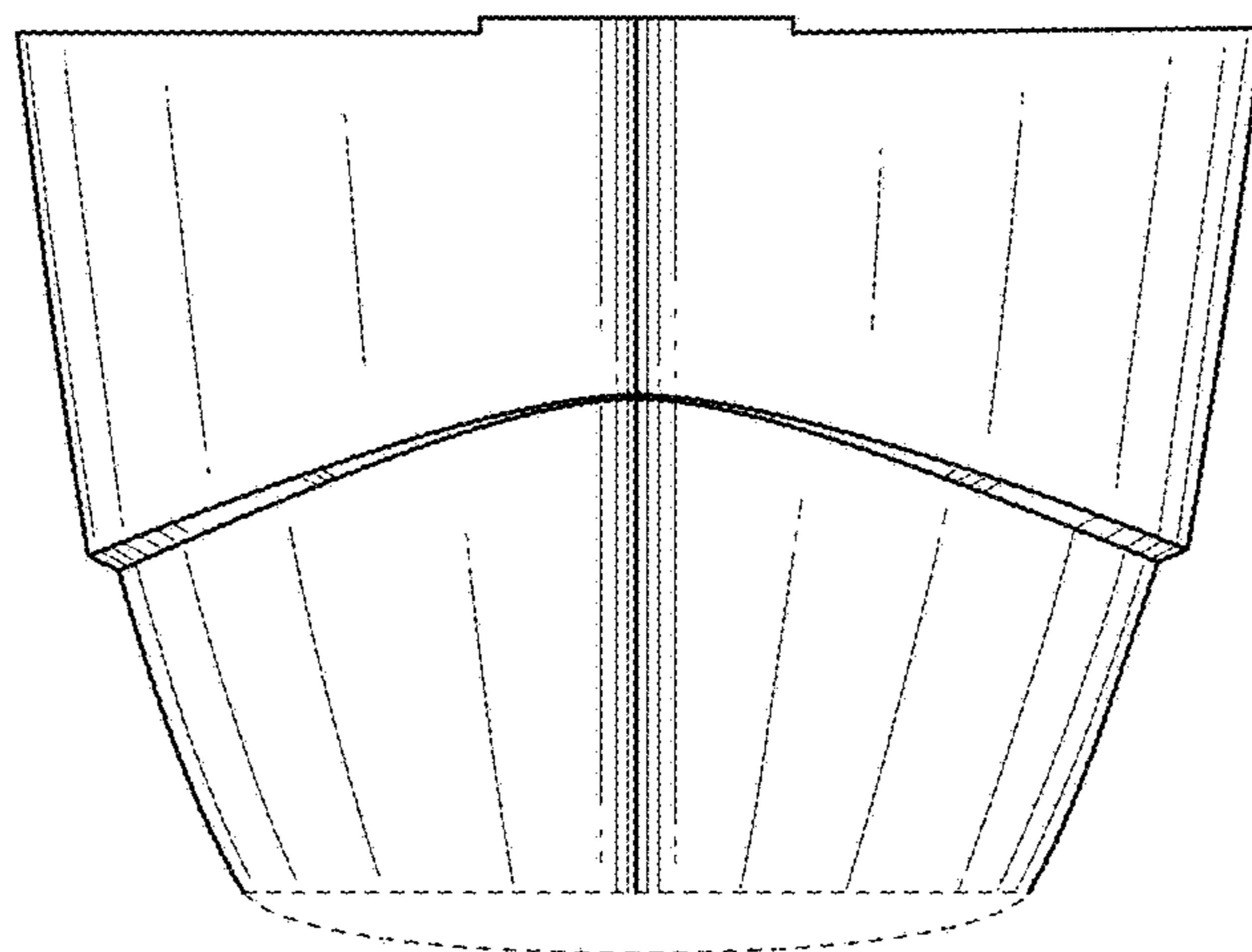


FIG. 5

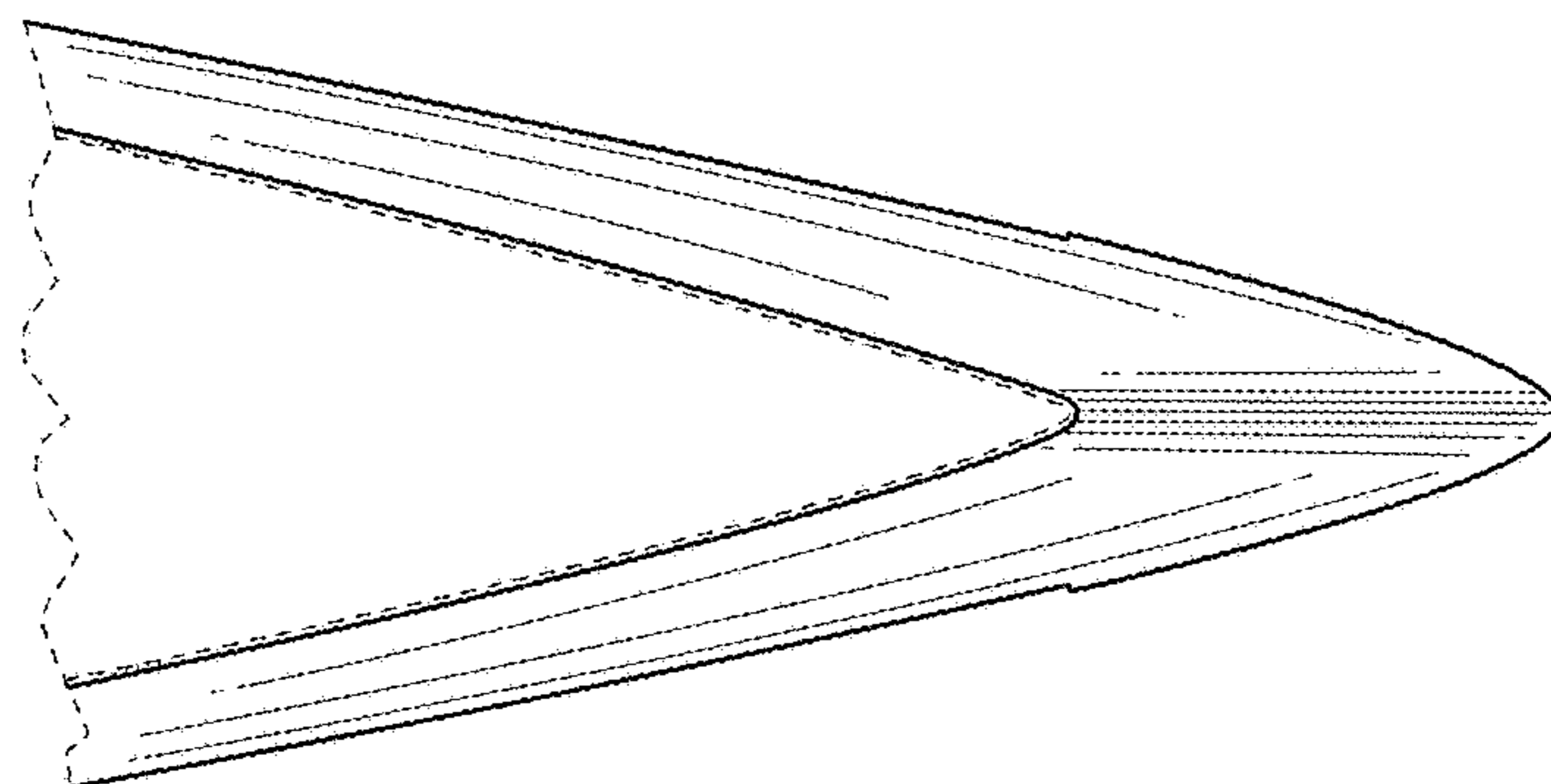


FIG. 6