



US00D817240S

(12) **United States Design Patent**  
**Cuche et al.**

(10) **Patent No.:** **US D817,240 S**  
(45) **Date of Patent:** **\*\* May 8, 2018**

- (54) **VANITY MIRROR FOR VEHICLE**
- (71) Applicant: **GRUPO ANTOLÍN-INGENIERÍA, S.A.**, Burgos (ES)
- (72) Inventors: **Remy Cuche**, Besançon (FR);  
**Stéphane Richard**, Vagney (FR);  
**Vincent Bernard**, Remiremont (FR)
- (\*\*) Term: **15 Years**
- (21) Appl. No.: **35/500,934**
- (22) Filed: **Nov. 11, 2015**
- (80) **Hague Agreement Data**  
Int. Filing Date: **Nov. 11, 2015**  
Int. Reg. No.: **DM/089309**  
Int. Reg. Date: **Nov. 11, 2015**  
Int. Reg. Pub. Date: **May 13, 2016**
- (51) **LOC (11) Cl.** ..... **12-16**
- (52) **U.S. Cl.**  
USPC ..... **D12/191**
- (58) **Field of Classification Search**  
USPC ..... D12/400, 311-312, 106, 181, 183-185,  
D12/191, 471

(Continued)

- (56) **References Cited**  
U.S. PATENT DOCUMENTS  
D294,495 S \* 3/1988 Nissley ..... 296/97.5  
D300,919 S \* 5/1989 Svensson ..... D12/191  
(Continued)

*Primary Examiner* — Michael A. Pratt

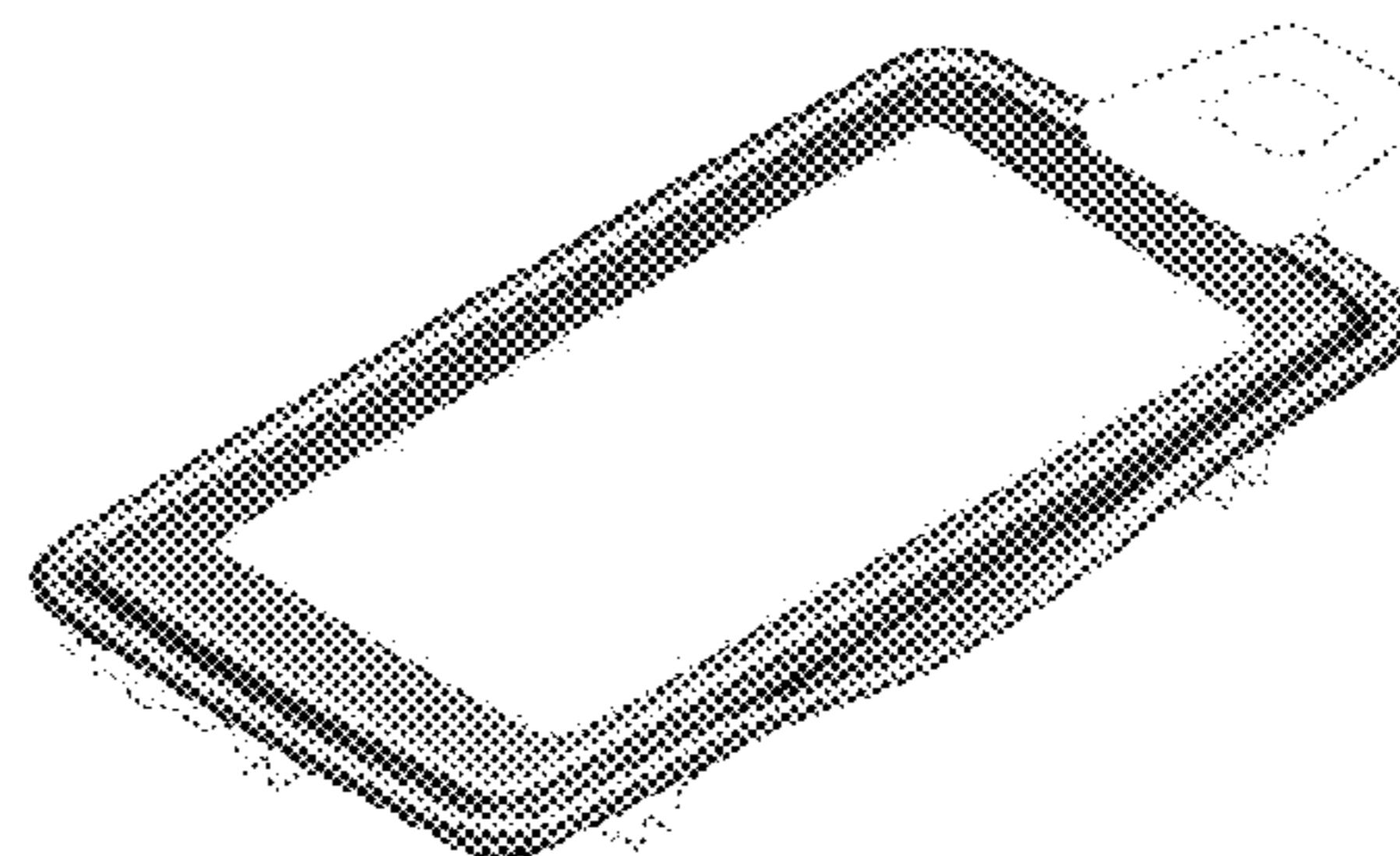
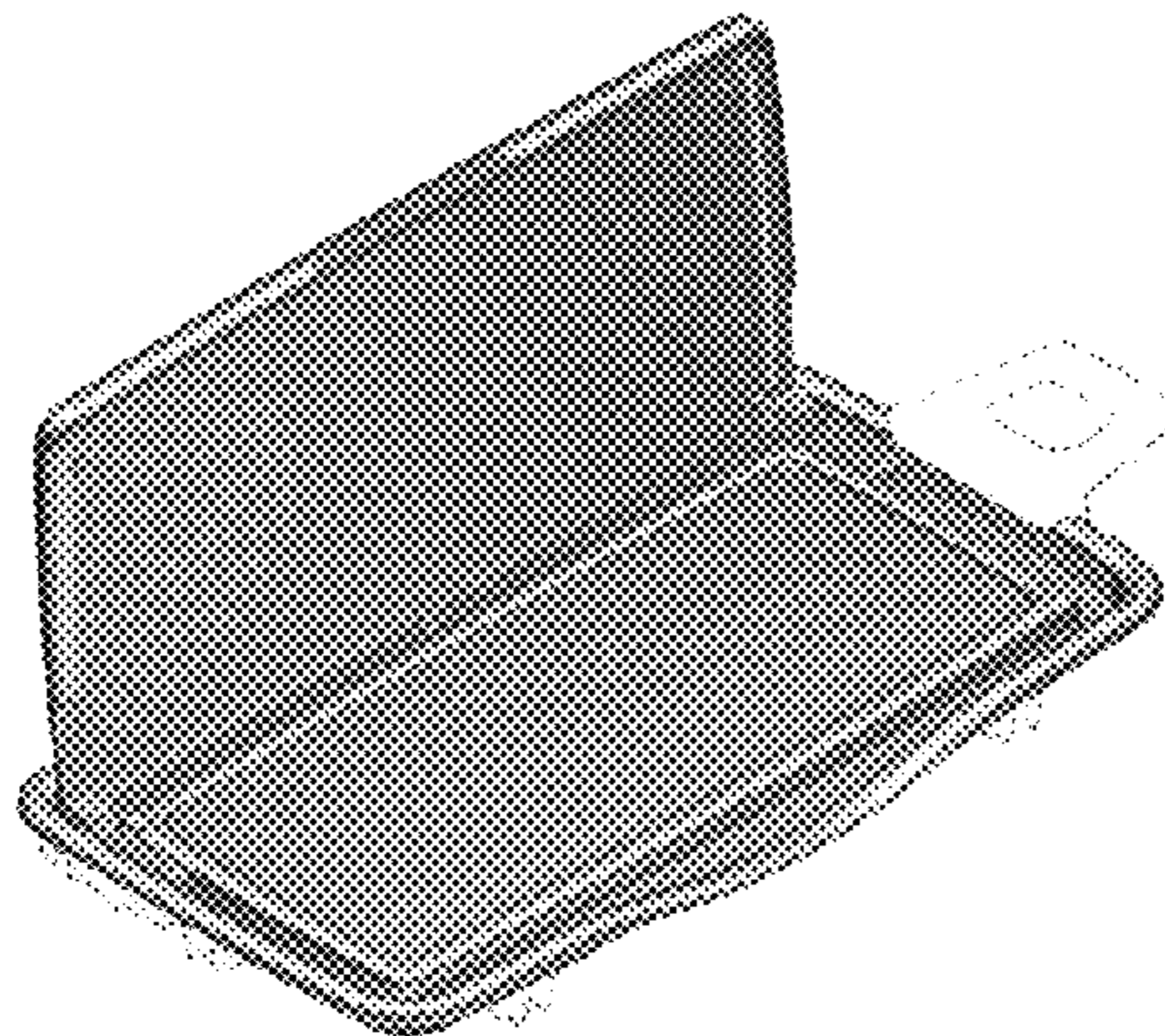
(57) **CLAIM**  
The ornamental design for a vanity mirror for a vehicle, as shown and described.

**DESCRIPTION**

FIG. 1.1 is a perspective view of a first embodiment of a vanity mirror for a vehicle showing our new design with a hinged cover in an open position;

FIG. 1.2 is the perspective view of FIG. 1.1 with the hinged cover in a closed position thereof;  
 FIG. 1.3 is a front view with the hinged cover in a closed position thereof;  
 FIG. 1.4 is a left side view thereof;  
 FIG. 2.1 is a perspective view of a second embodiment of a vanity mirror for a vehicle showing our new design with a hinged cover and a light-emitting surface;  
 FIG. 2.2 is the perspective view of FIG. 2.1 with the hinged cover in a closed position thereof;  
 FIG. 2.3 is a front view with the hinged cover in a closed position thereof;  
 FIG. 2.4 is a left side view thereof;  
 FIG. 2.5 is the perspective view of FIG. 2.1 showing an in-use state of the light-emitting surface thereof;  
 FIG. 3.1 is a front perspective view of a third embodiment of a vanity mirror for a vehicle showing our new design with a hinged cover and two light-emitting surfaces adjacent to ends of said mirror;  
 FIG. 3.2 is the perspective view of FIG. 3.1 with the hinged cover in a closed position thereof;  
 FIG. 3.3 is a front view with the hinged cover in a closed position thereof third perspective view thereof;  
 FIG. 3.4 is a left side view thereof;  
 FIG. 3.5 is the perspective view of FIG. 3.1 showing an in-use state of the light-emitting surfaces thereof;  
 FIG. 4.1 is a front perspective view of a fourth embodiment of a vanity mirror for a vehicle showing our new design showing a hinged cover with a light-emitting surface;  
 FIG. 4.2 is the perspective view of FIG. 4.1 with the hinged cover in a closed position thereof;  
 FIG. 4.3 is a front view with the hinged cover in a closed position thereof;  
 FIG. 4.4 is a left side view thereof;  
 FIG. 4.5 is the perspective view of FIG. 4.1 showing an in-use state of the light-emitting surface thereof;  
 FIG. 5.1 is a front perspective view of a fifth embodiment of a vanity mirror for a vehicle showing our new design showing a hinged cover with two light-emitting surfaces adjacent to ends of said mirror;  
 FIG. 5.2 is the perspective view of FIG. 5.1 with the hinged cover in a closed position thereof;  
 FIG. 5.3 is a front view with the hinged cover in a closed position thereof;

(Continued)







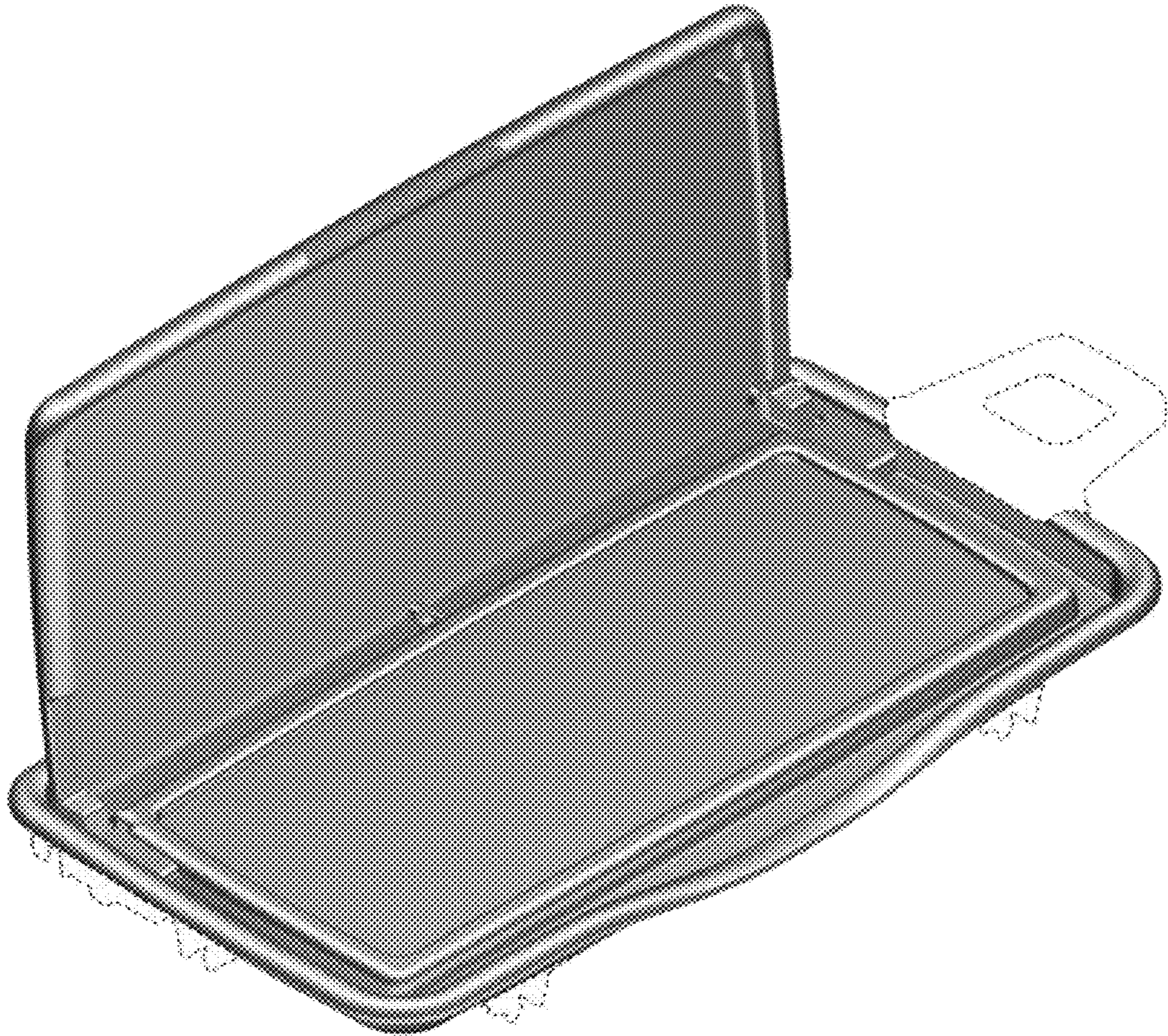


FIG. 1.1

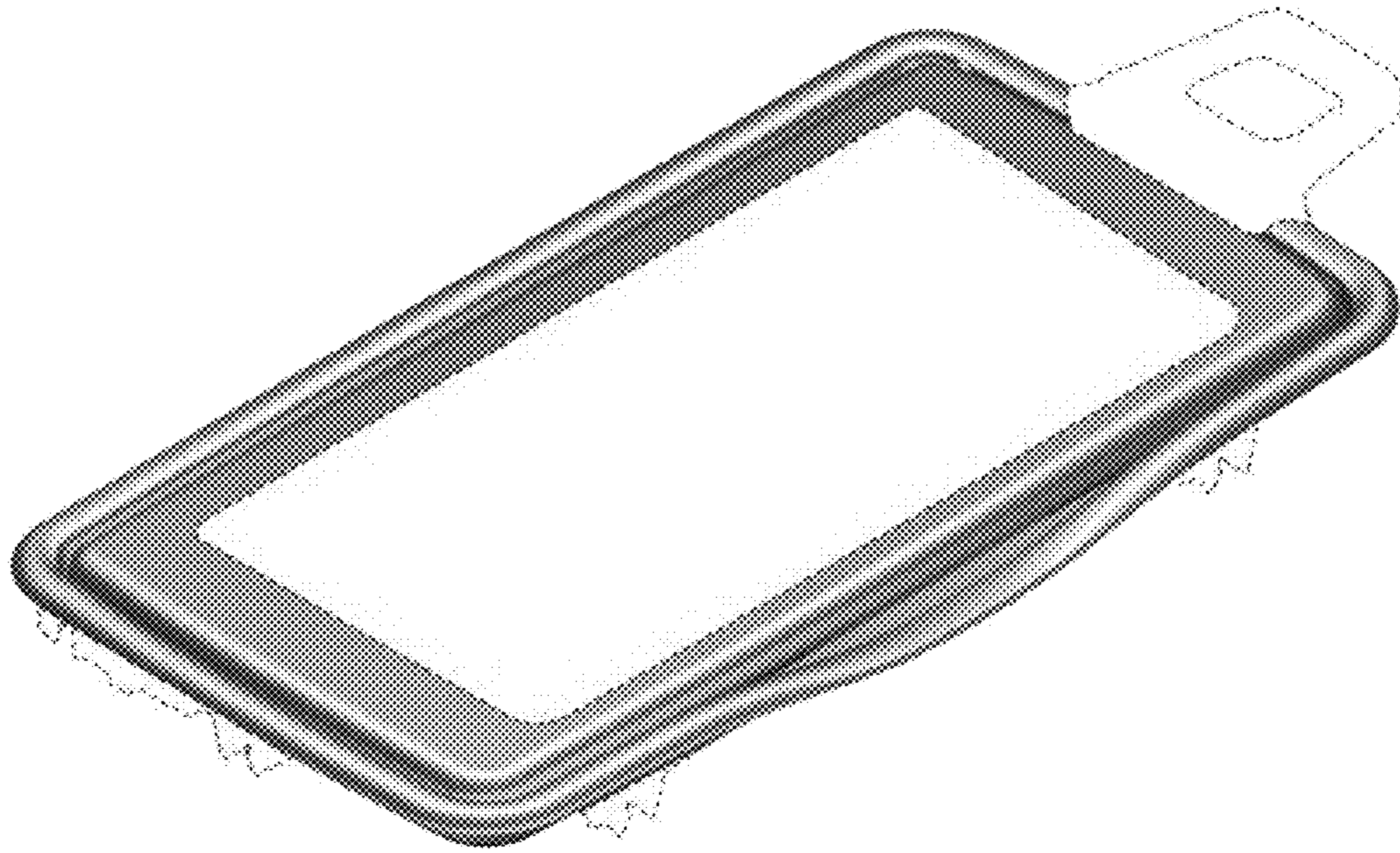


FIG. 1.2

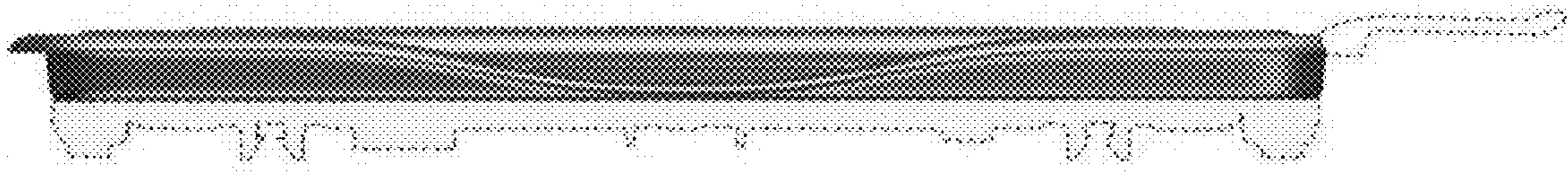


FIG. 1.3



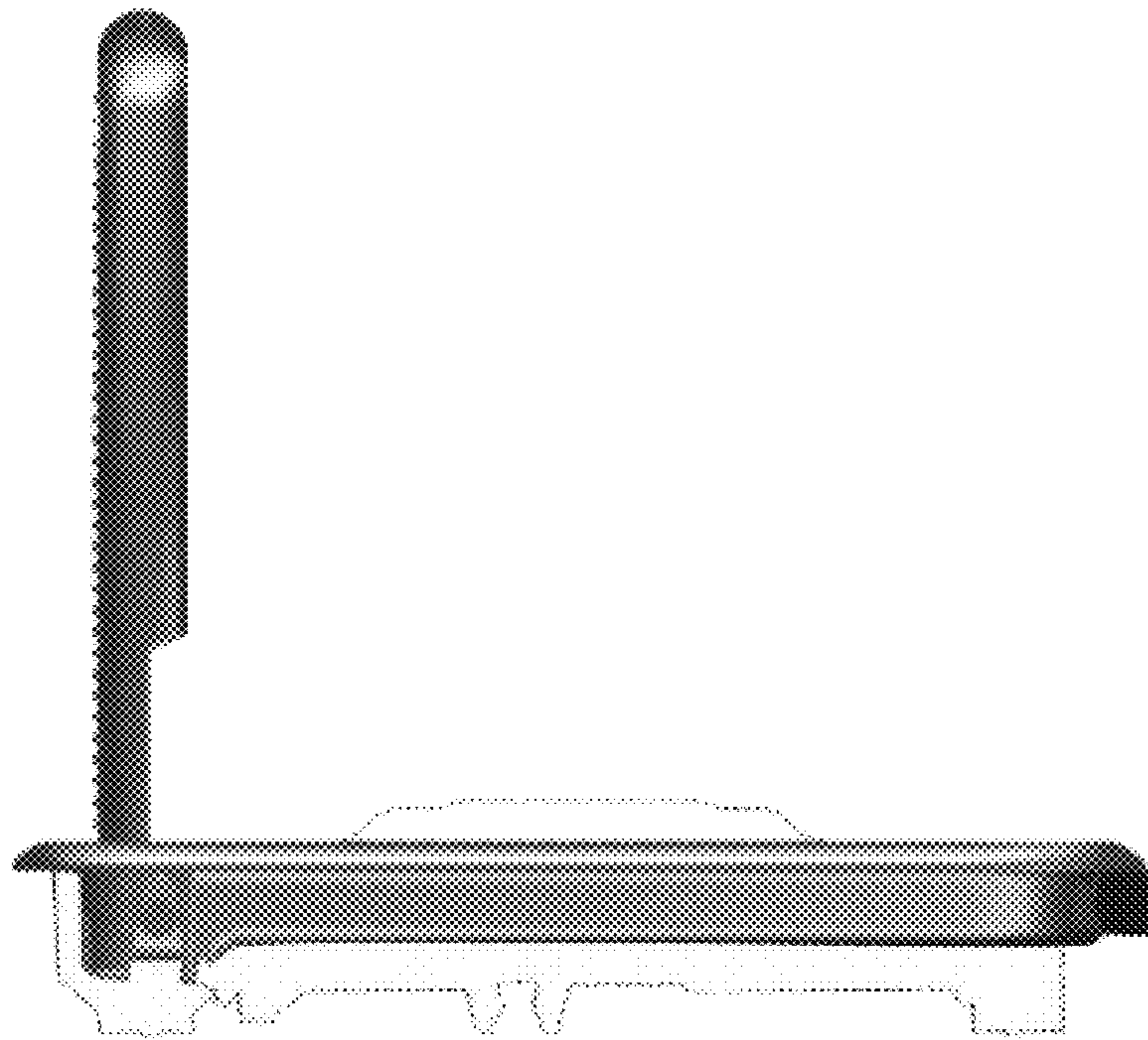


FIG. 1.4

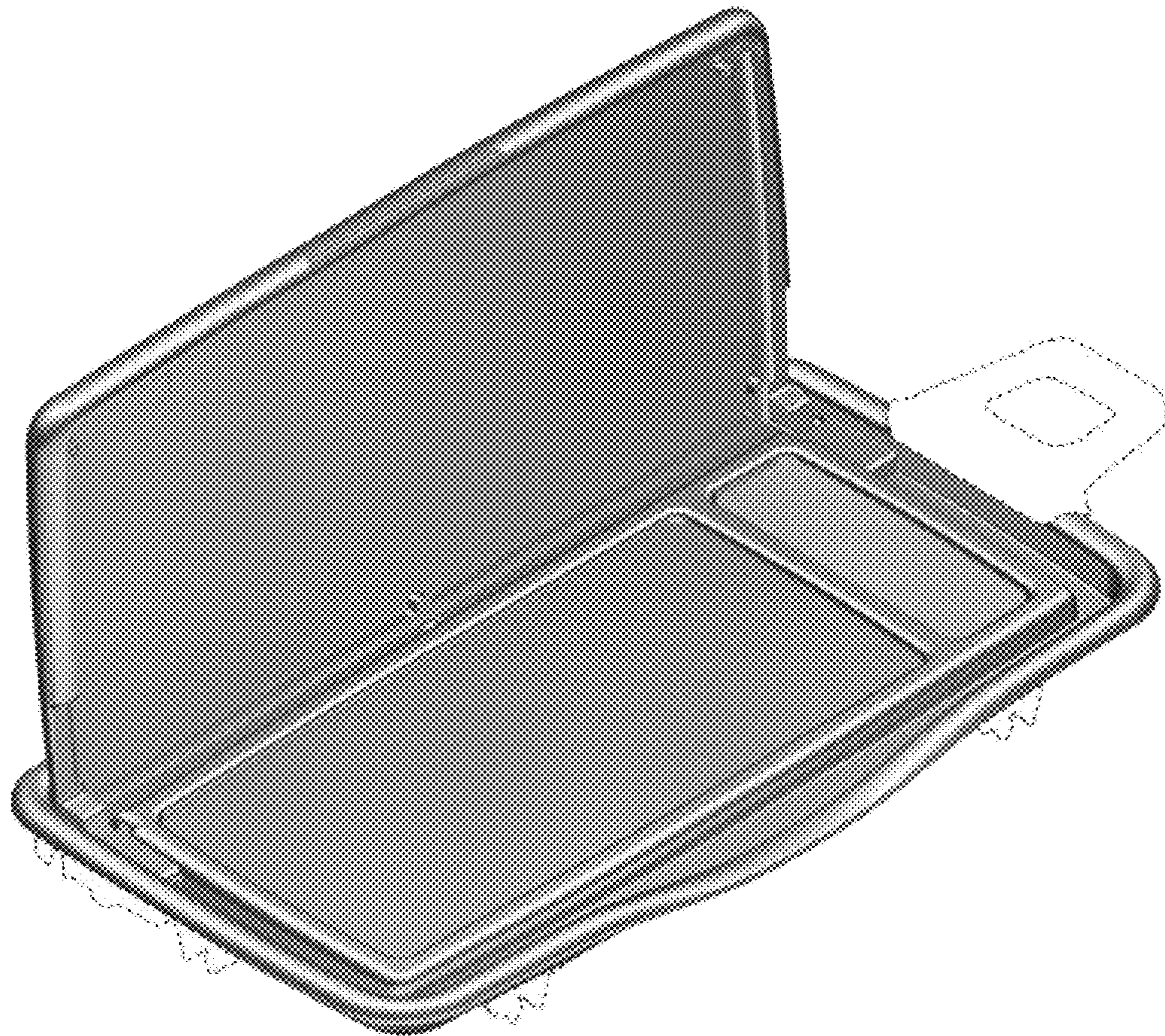


FIG. 2.1



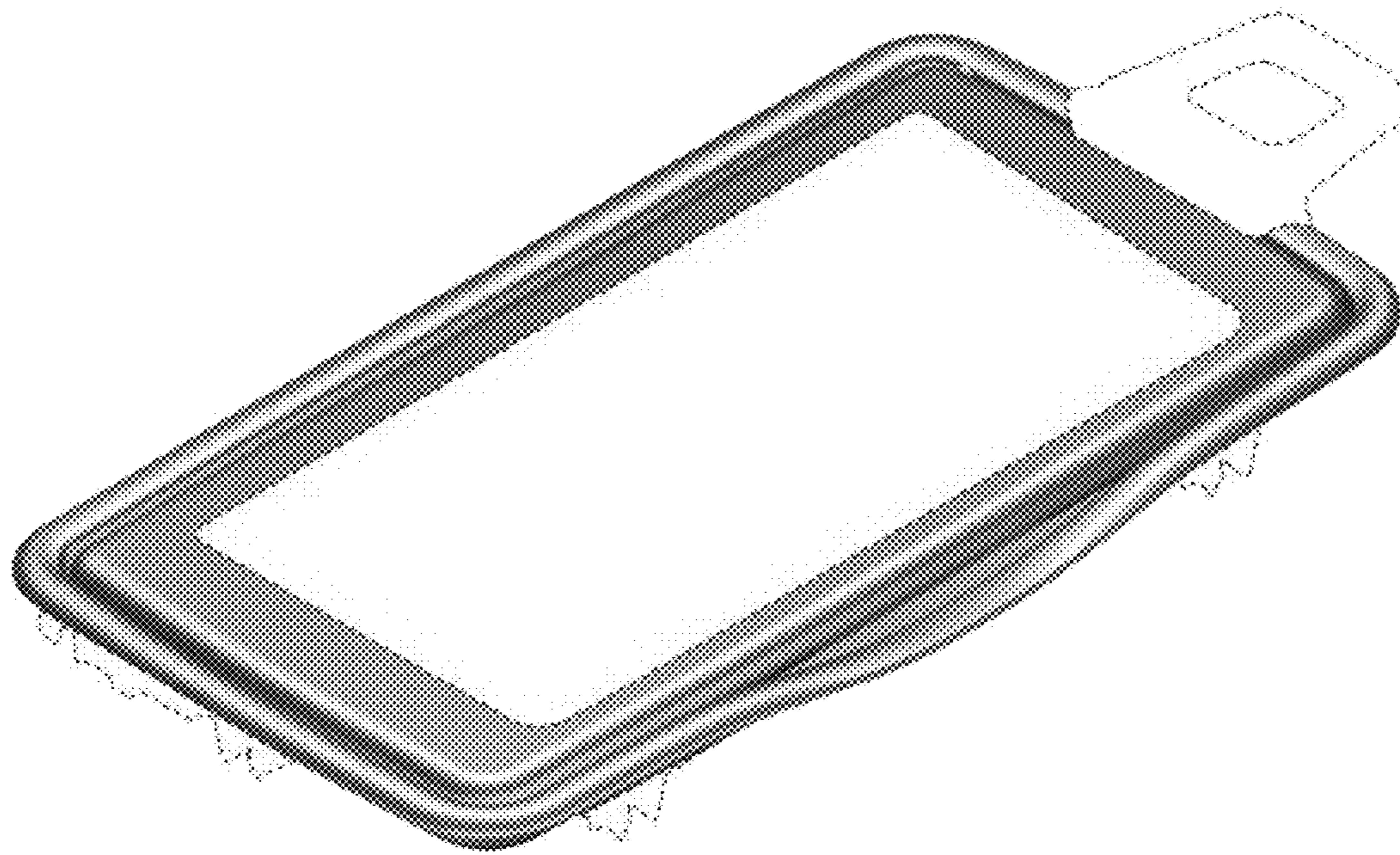


FIG. 2.2



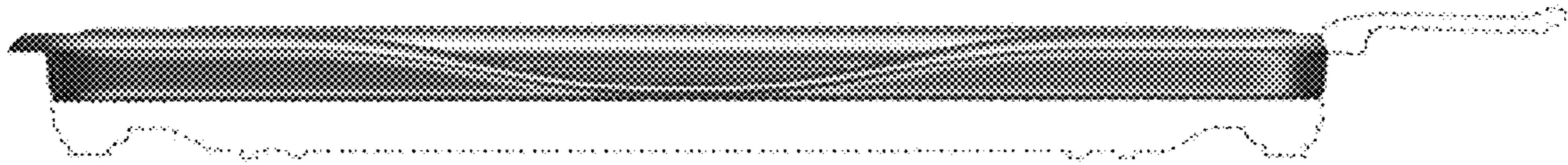


FIG. 2.3

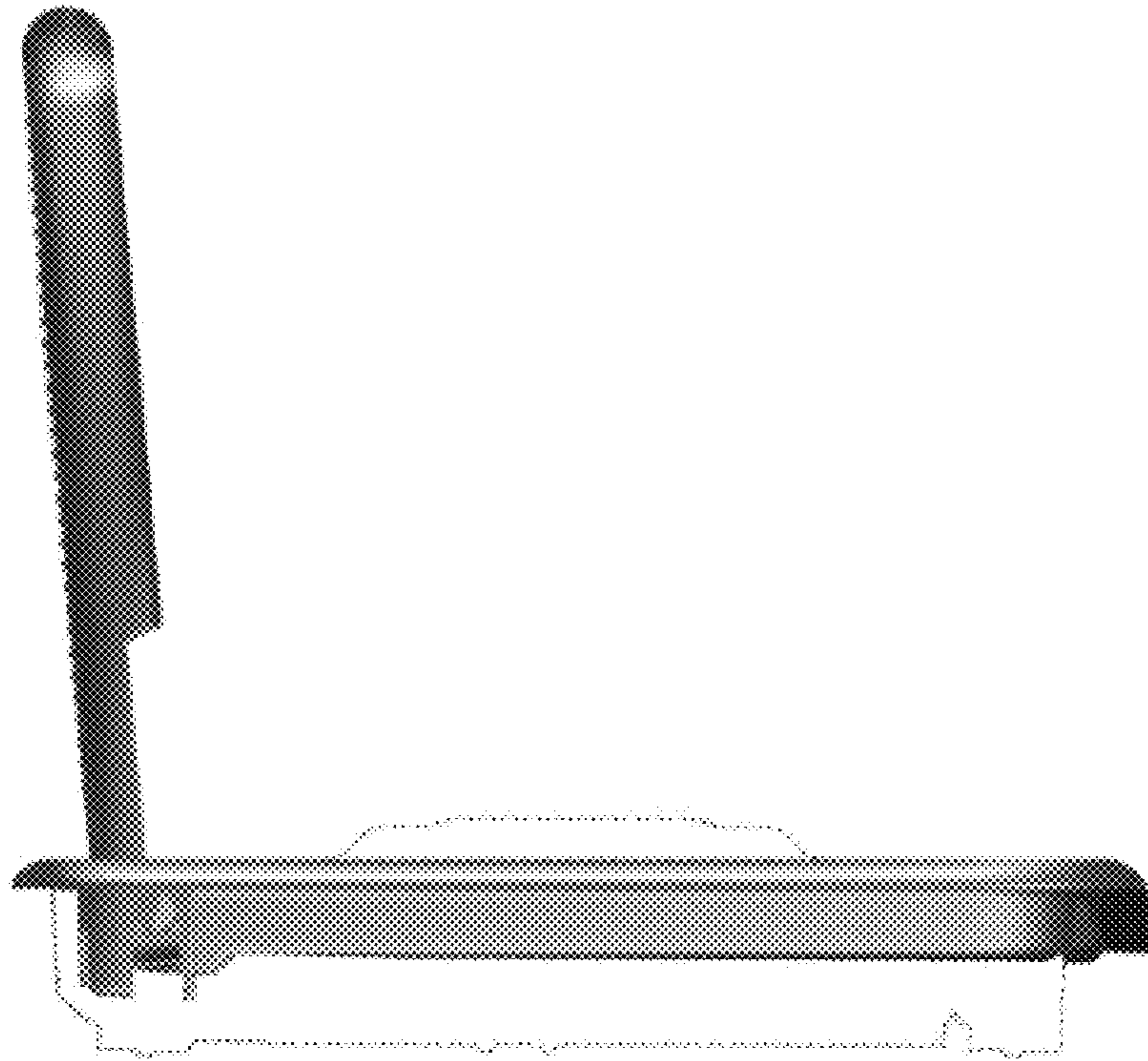


FIG. 2.4



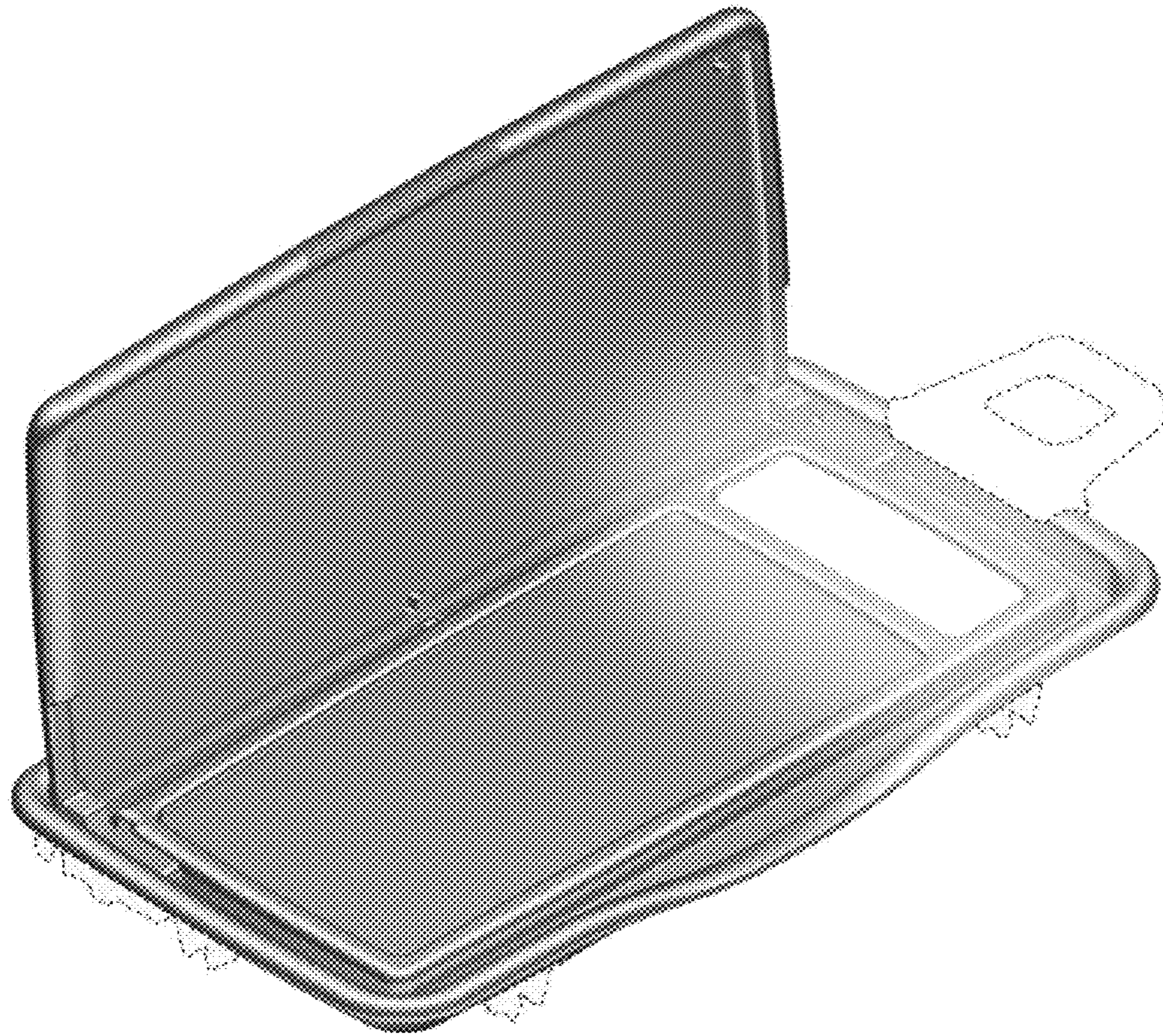


FIG. 2.5



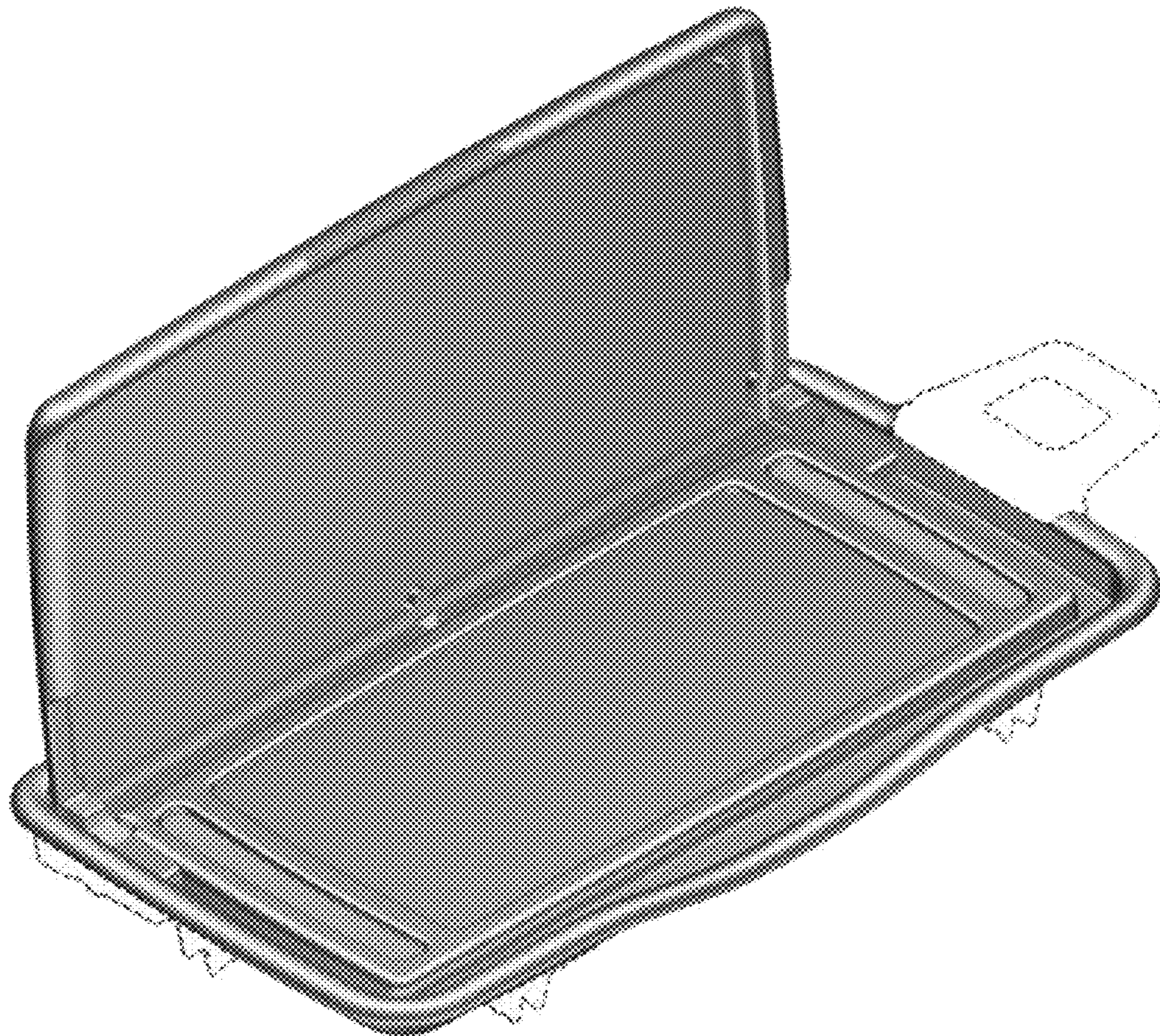


FIG. 3.1



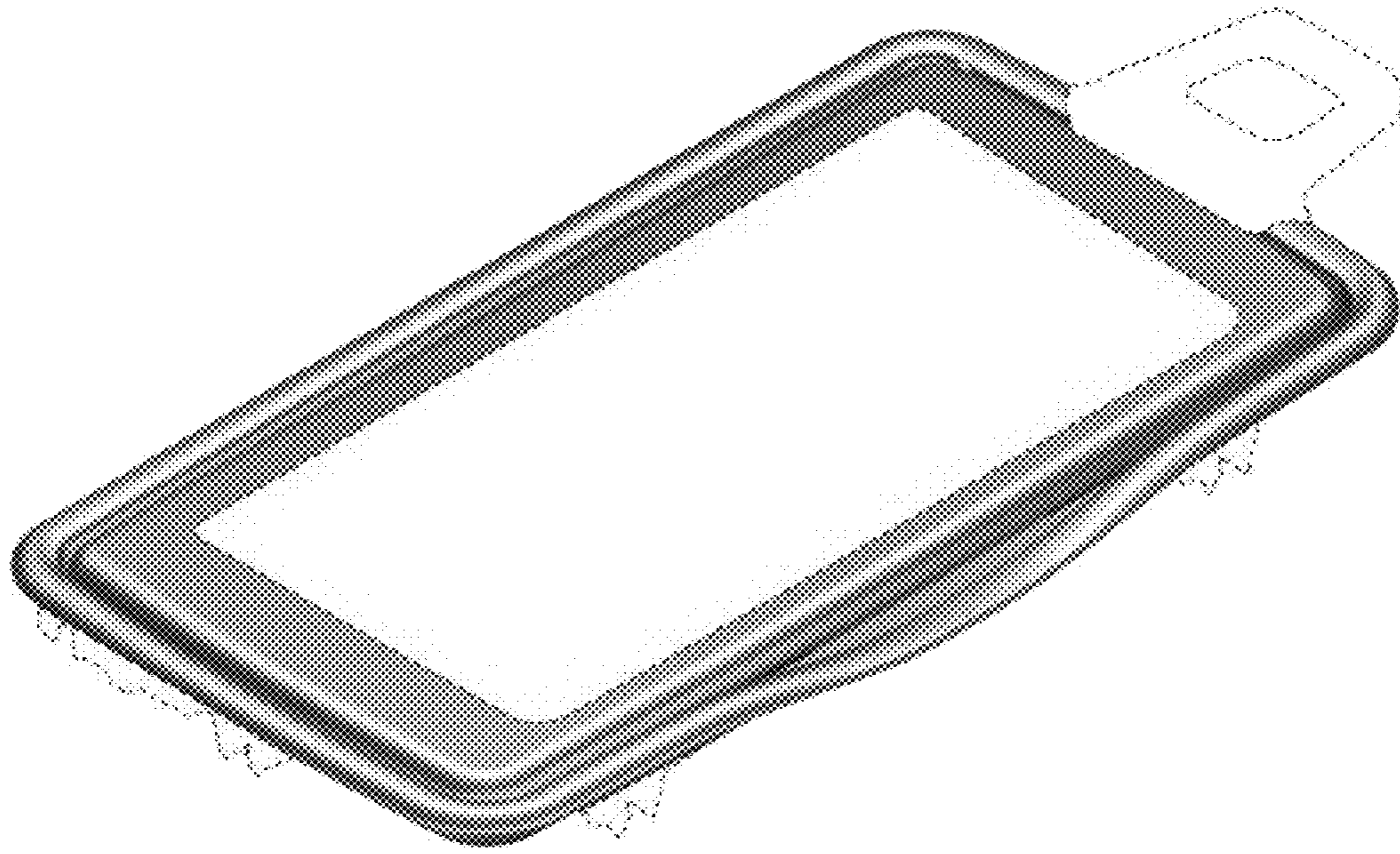


FIG. 3.2



FIG. 3.3



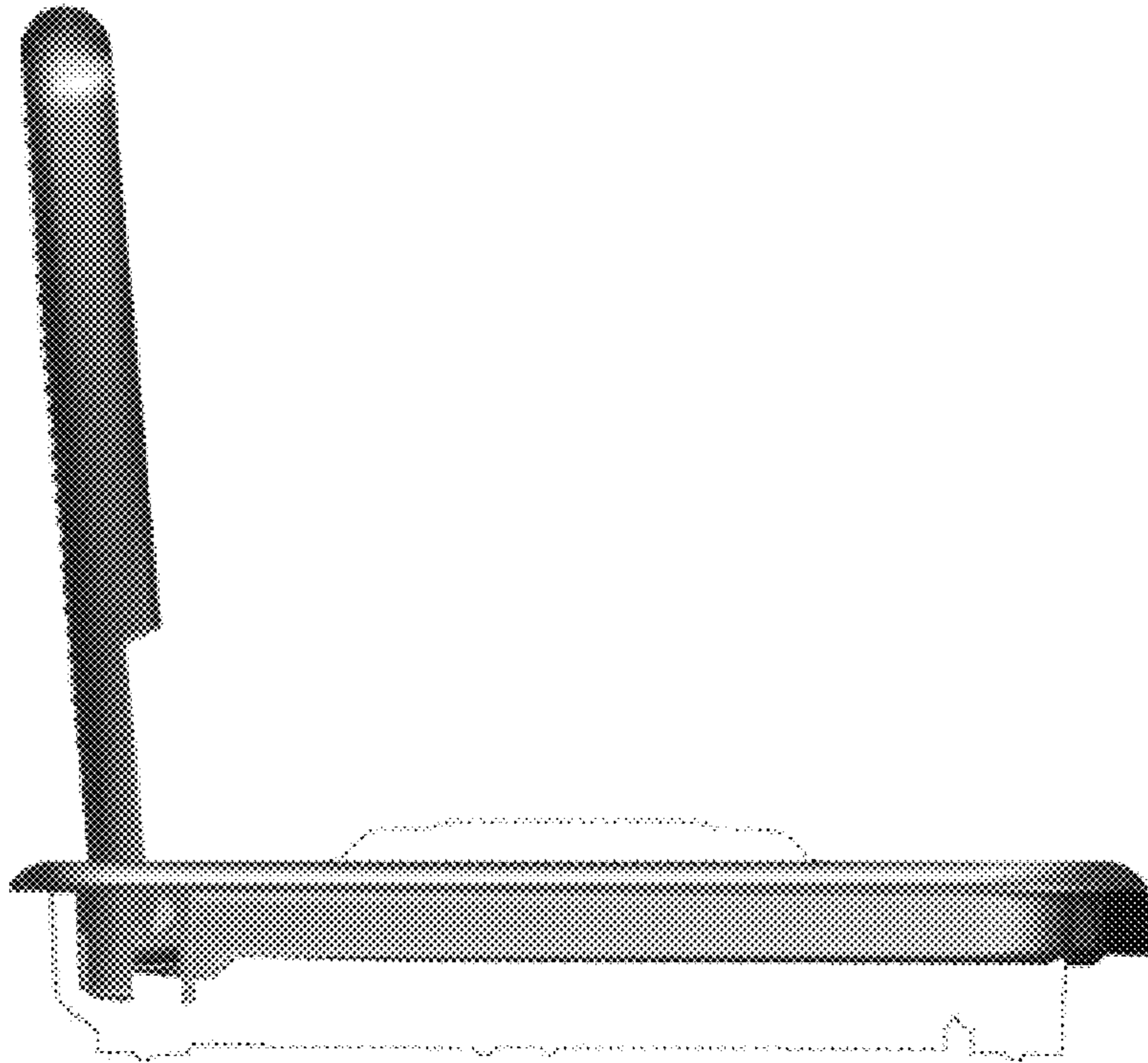


FIG. 3.4

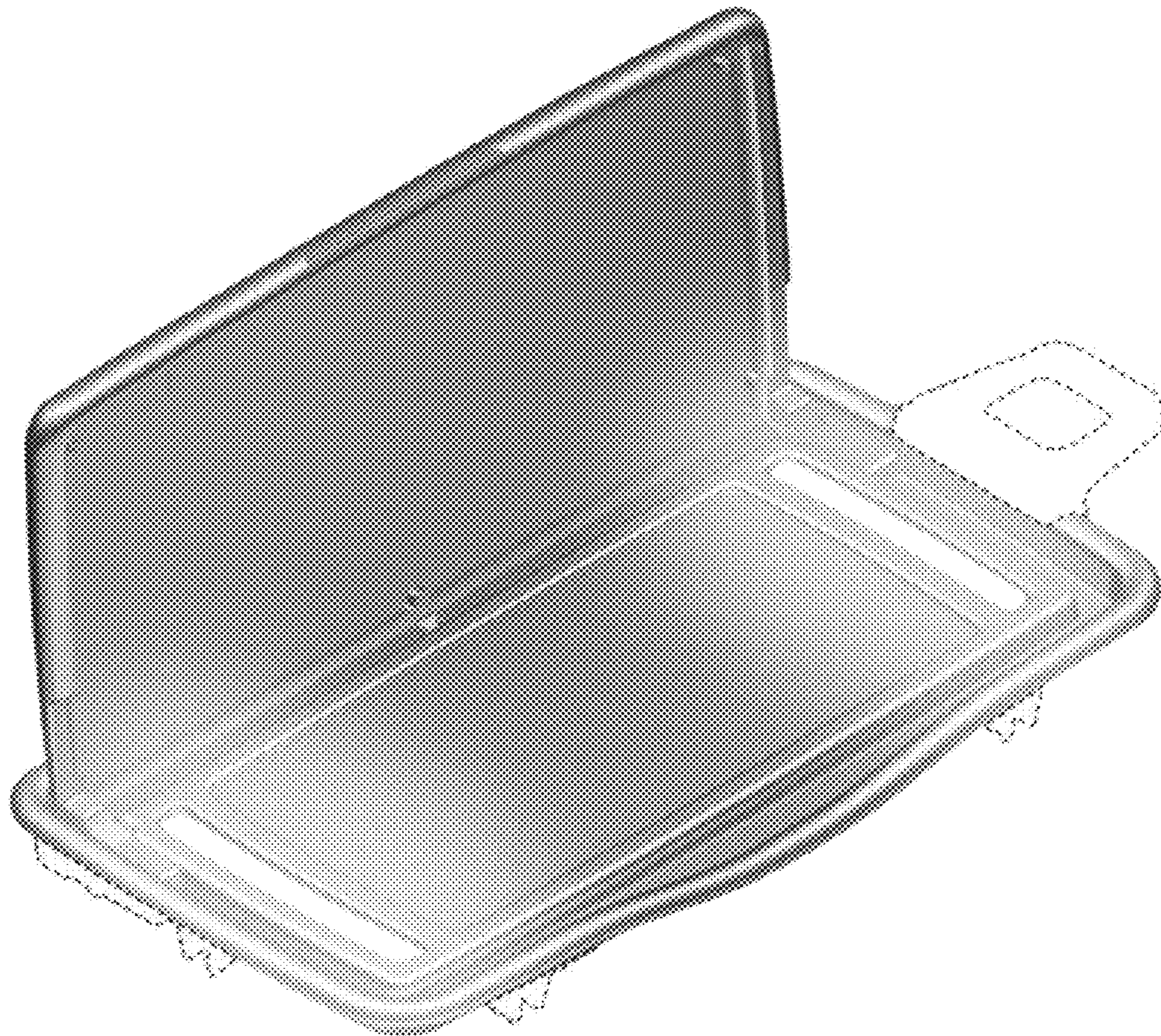


FIG. 3.5



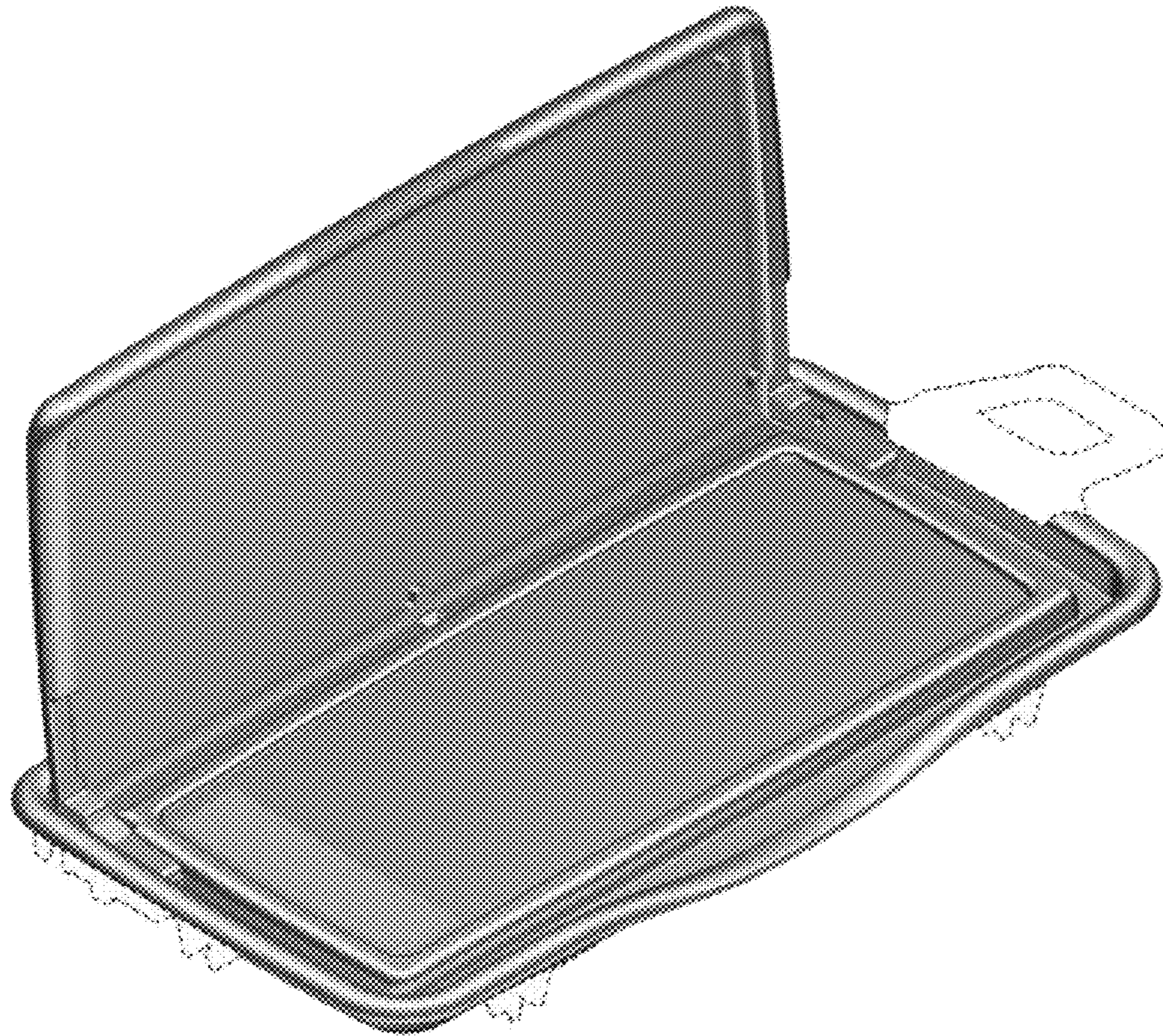


FIG. 4.1



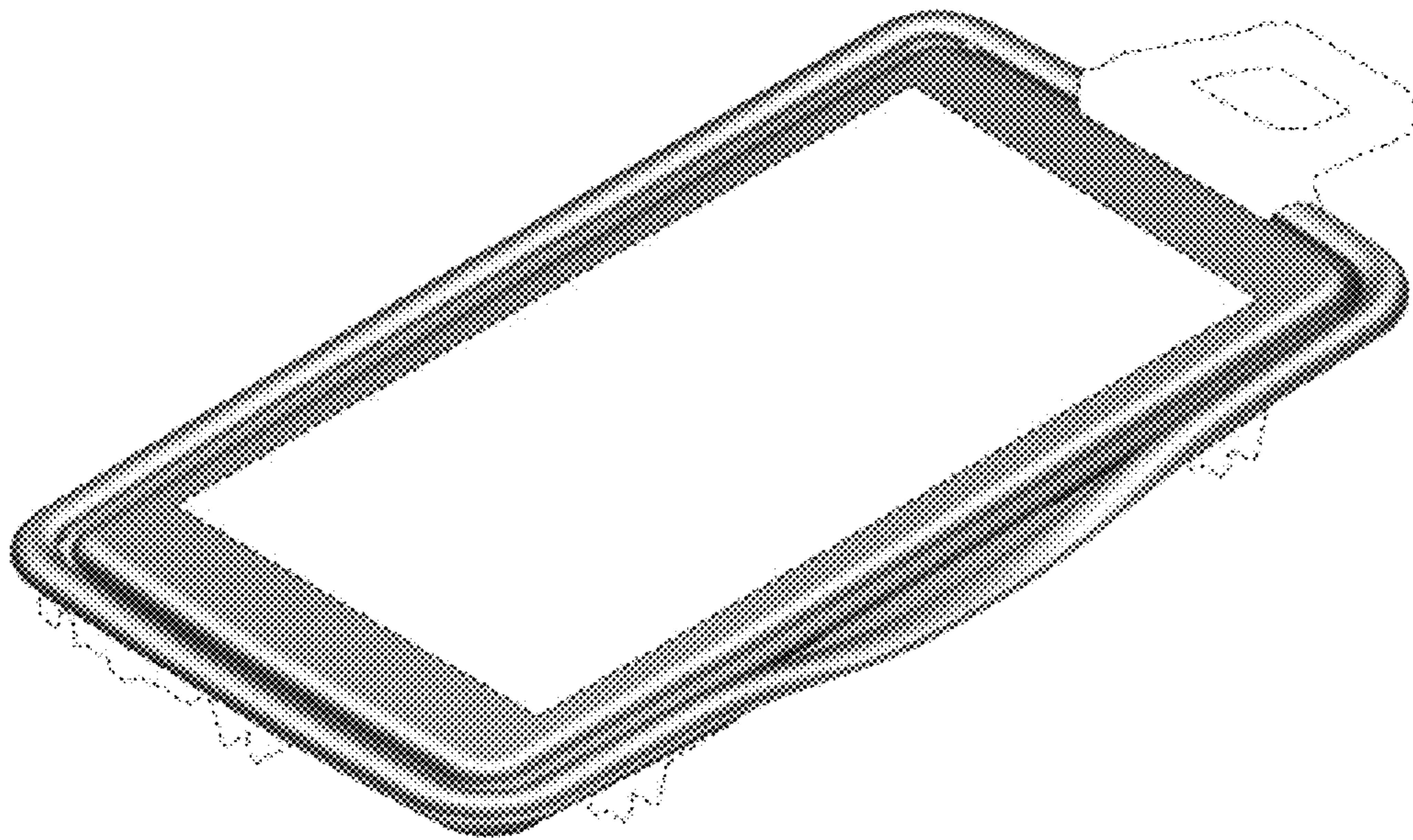


FIG. 4.2

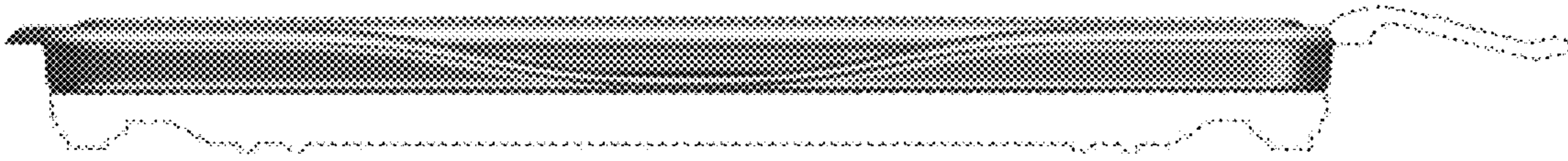


FIG. 4.3

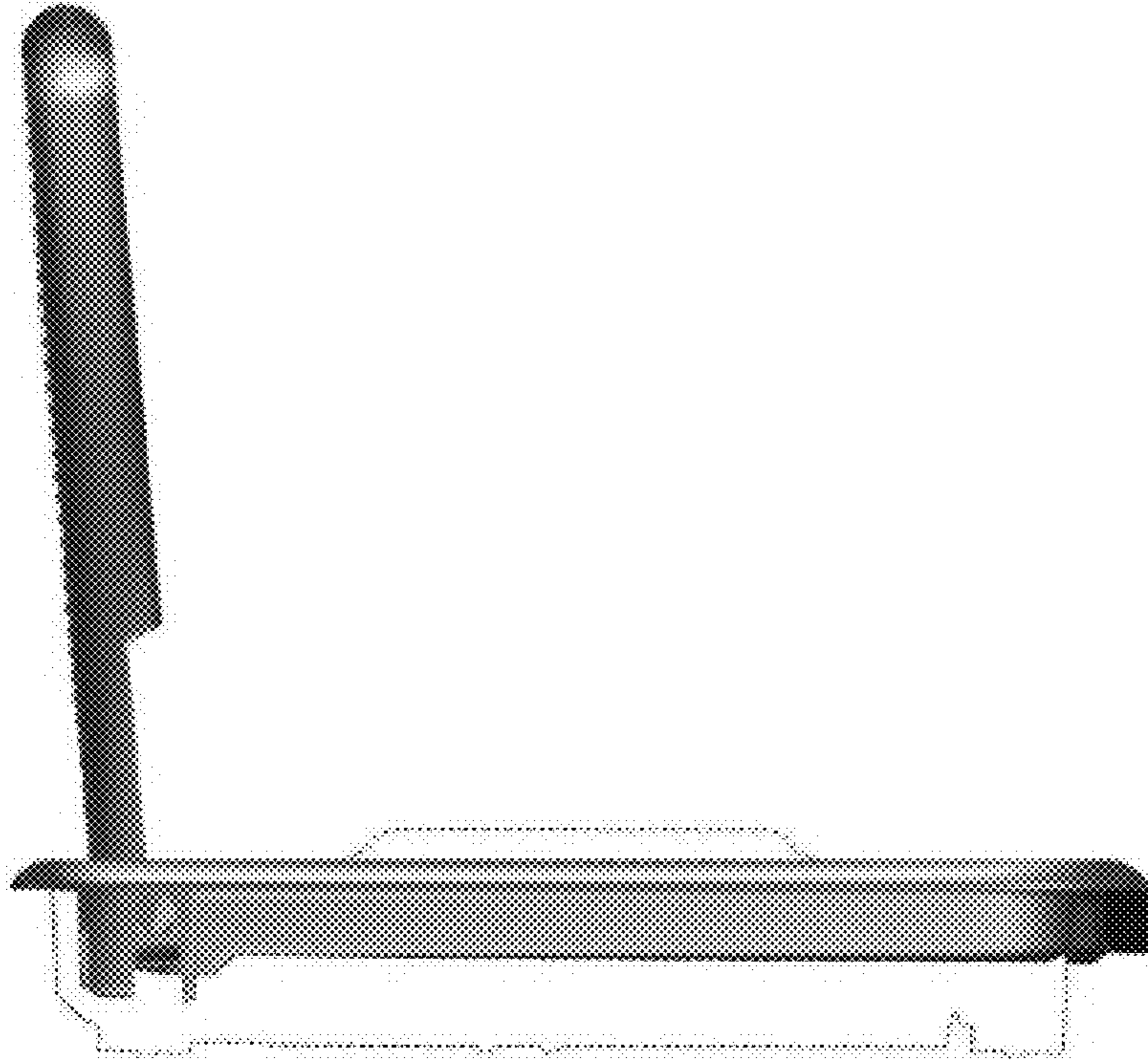


FIG. 4.4



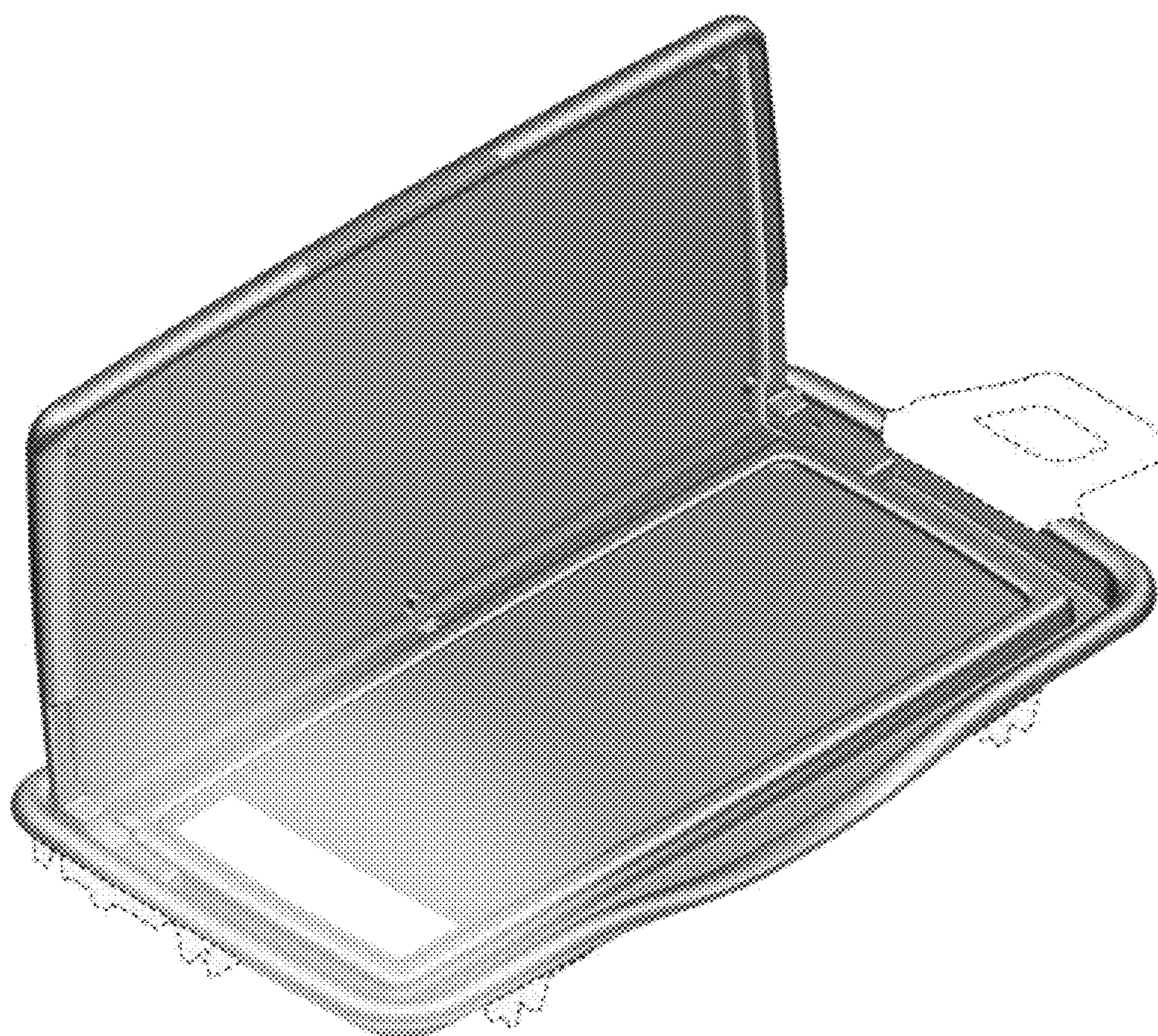


FIG. 4.5



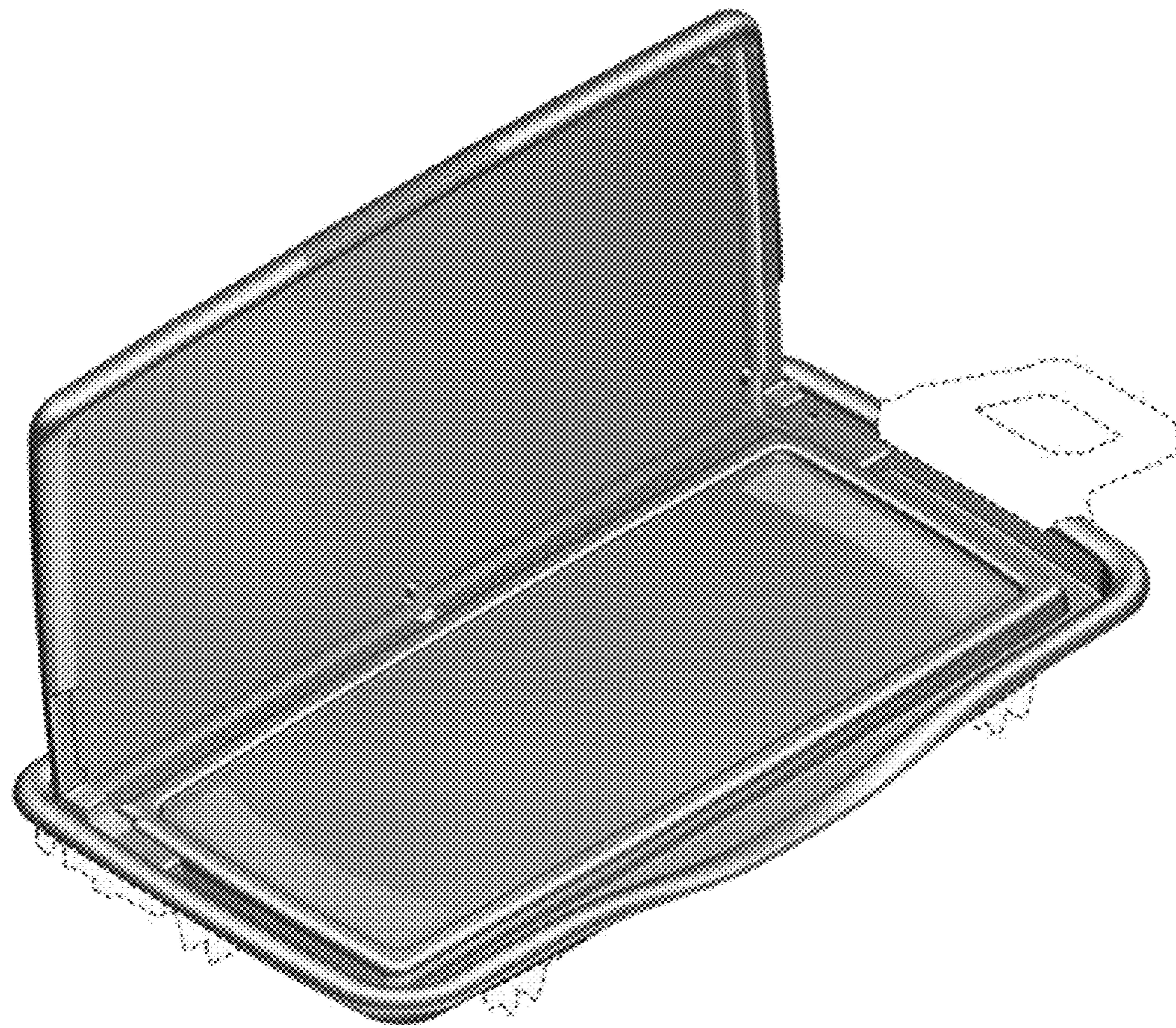


FIG. 5.1

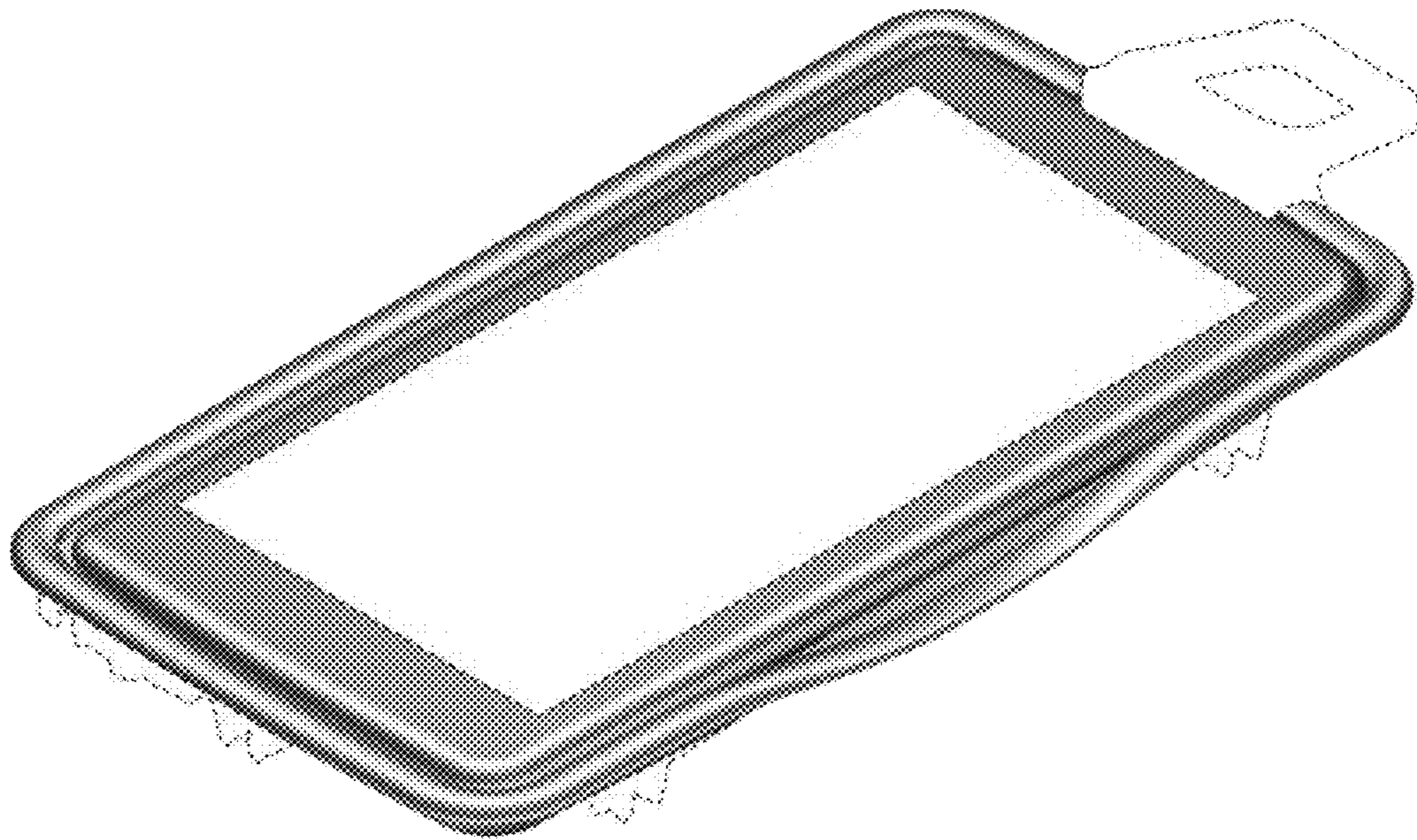


FIG. 5.2





FIG. 5.3

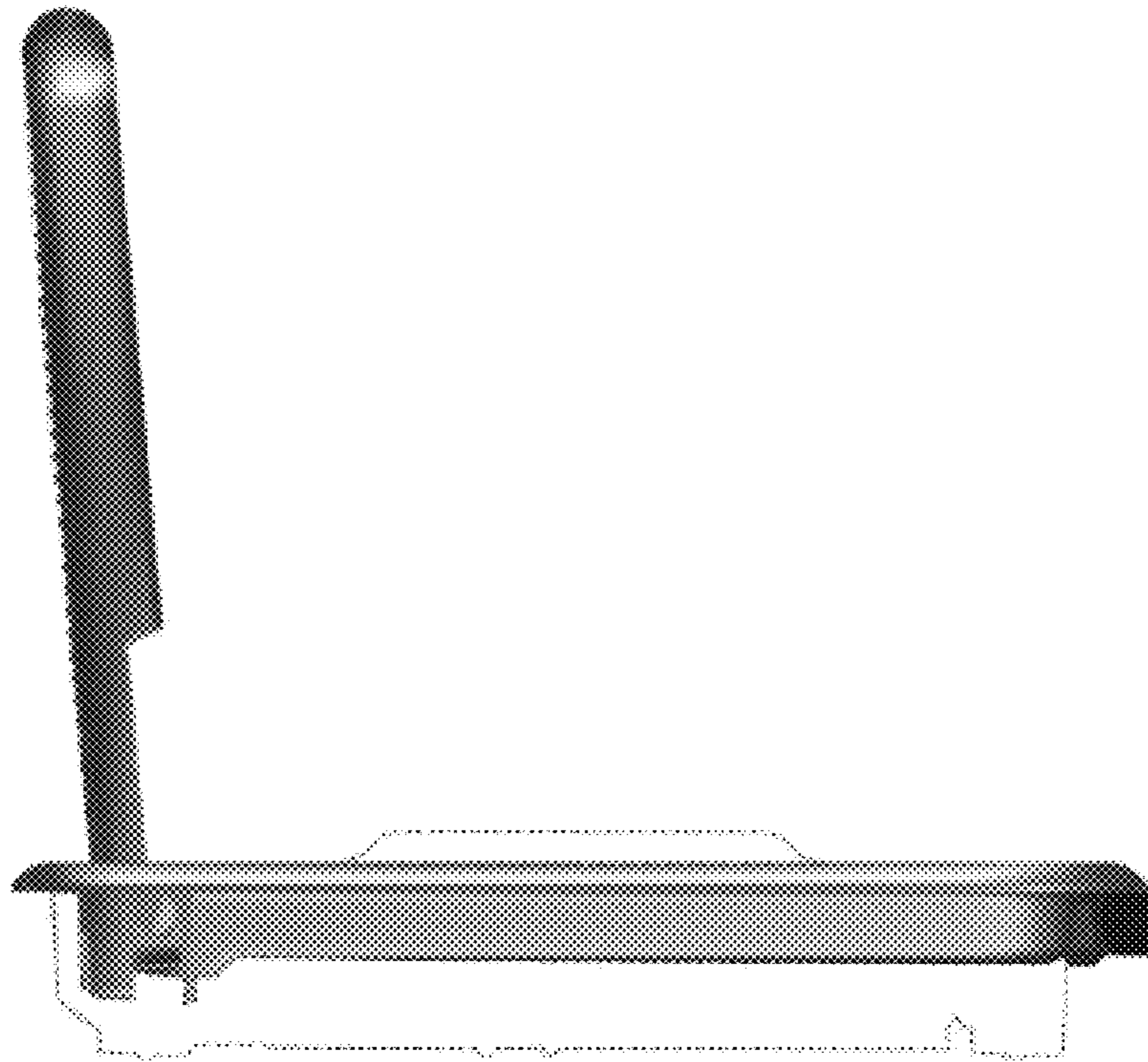


FIG. 5.4

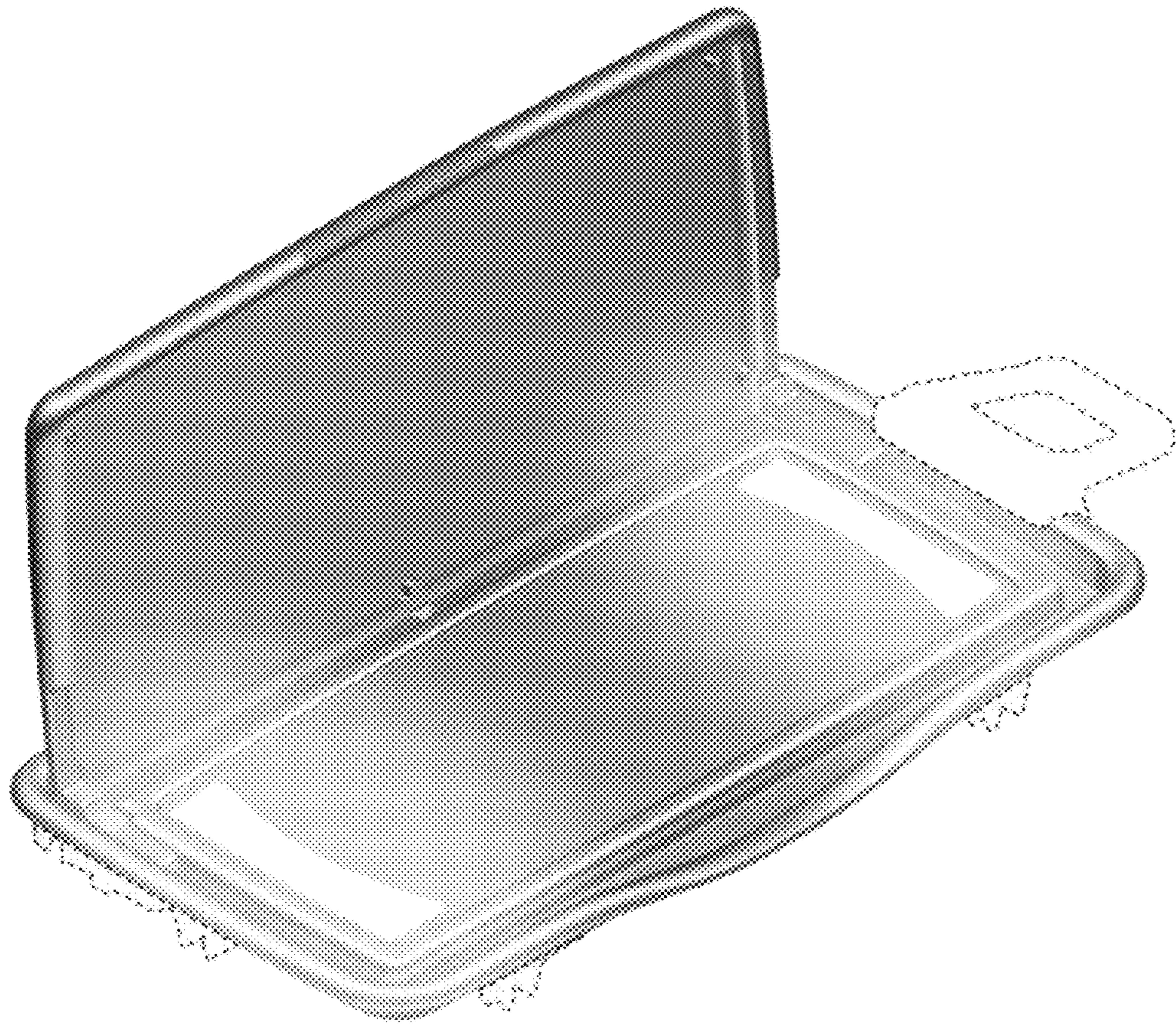


FIG. 5.5