



US00D817235S

(12) **United States Design Patent** (10) **Patent No.:** **US D817,235 S**  
**Bucher et al.** (45) **Date of Patent:** **\*\* May 8, 2018**

(54) **VEHICLE FRONT UPPER BUMPER COVER**

(71) Applicant: **Ford Global Technologies, LLC,**  
Dearborn, MI (US)  
(72) Inventors: **George Bucher,** Dearborn, MI (US);  
**James Grake,** Beverly Hills, MI (US);  
**Steven Gilmore,** Farmington Hills, MI  
(US)

(73) Assignee: **Ford Global Technologies, LLC,**  
Dearborn, MI (US)

(\*\*) Term: **15 Years**

(21) Appl. No.: **29/593,054**

(22) Filed: **Feb. 6, 2017**

(51) **LOC (11) Cl.** ..... **12-16**

(52) **U.S. Cl.**  
USPC ..... **D12/169**

(58) **Field of Classification Search**  
USPC .... D12/169, 216, 90-92, 86, 171, 196, 163;  
293/102, 113, 115, 117, 120; 296/180.1,  
296/180.2

CPC ..... B60R 19/02; B60R 19/04; B62D 25/08  
See application file for complete search history.

(56) **References Cited**

U.S. PATENT DOCUMENTS

D541,710 S	5/2007	Schiavone et al.	
D696,168 S	* 12/2013	Ito .....	D12/169
D698,712 S	* 2/2014	Sato .....	D12/169
D699,167 S	* 2/2014	Sato .....	D12/169
D705,139 S	* 5/2014	Jevremovic .....	D12/169
D715,708 S	* 10/2014	Mays .....	D12/169
D718,678 S	* 12/2014	Ishizuka .....	D12/169
D718,680 S	* 12/2014	Galante .....	D12/169
D721,306 S	* 1/2015	George .....	D12/169

D721,625 S	*	1/2015	George .....	D12/169
D725,009 S	*	3/2015	Hirai .....	D12/169
D725,010 S	*	3/2015	Takei .....	D12/169
D726,603 S		4/2015	Grake et al.	
D727,805 S		4/2015	Grake et al.	
D733,624 S	*	7/2015	Morikawa .....	D12/169
D735,097 S	*	7/2015	Nissl .....	D12/169
D740,186 S	*	10/2015	Gunnarson .....	D12/169
D749,473 S	*	2/2016	Lee .....	D12/169
D753,564 S	*	4/2016	Frascella .....	D12/169
D763,746 S	*	8/2016	Tsutamori .....	D12/169
D765,567 S	*	9/2016	De Bono .....	D12/169
D771,535 S	*	11/2016	Wolff .....	D12/169
D784,868 S	*	4/2017	Yamamoto .....	D12/169
D793,293 S	*	8/2017	Lee .....	D12/169
D801,237 S	*	10/2017	Jang .....	D12/169
D807,248 S	*	1/2018	Piscitelli .....	D12/169
D807,256 S	*	1/2018	Piscitelli .....	D12/169

\* cited by examiner

*Primary Examiner* — Melody N Brown

(74) *Attorney, Agent, or Firm* — James Dottavio

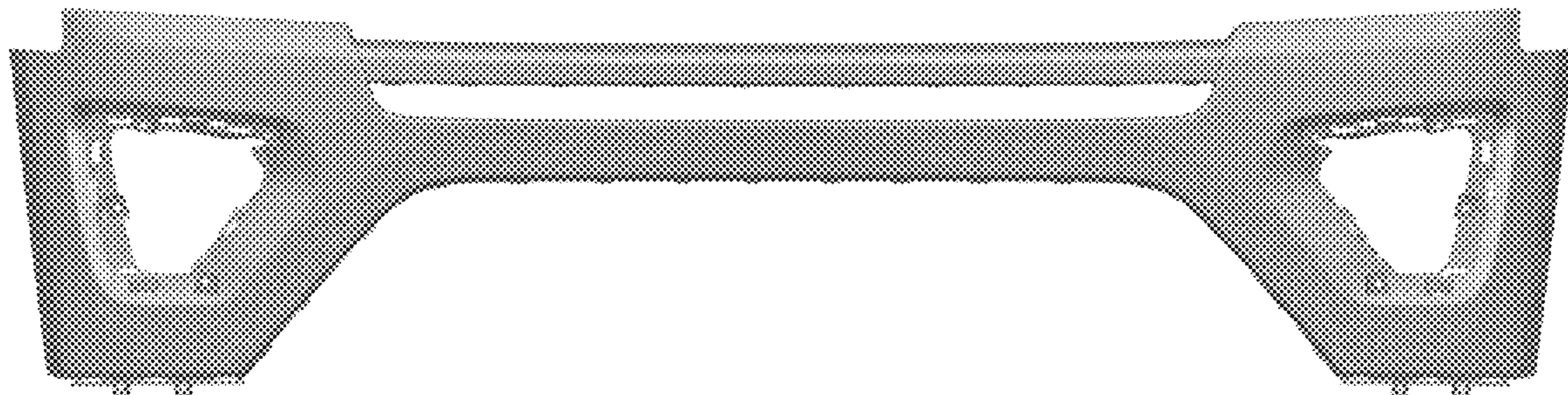
(57) **CLAIM**

The ornamental design for a vehicle front upper bumper cover, as shown and described.

**DESCRIPTION**

FIG. 1 is a top, left perspective view of a vehicle front upper bumper cover, showing our new design;  
FIG. 2 is a bottom, left perspective view thereof;  
FIG. 3 is a top, rear perspective view thereof;  
FIG. 4 is a front elevational view thereof;  
FIG. 5 is a rear elevational view thereof;  
FIG. 6 is a left side elevational view thereof;  
FIG. 7 is a right side elevational view thereof;  
FIG. 8 is a top plan view thereof; and,  
FIG. 9 is a bottom plan view thereof.

**1 Claim, 9 Drawing Sheets**



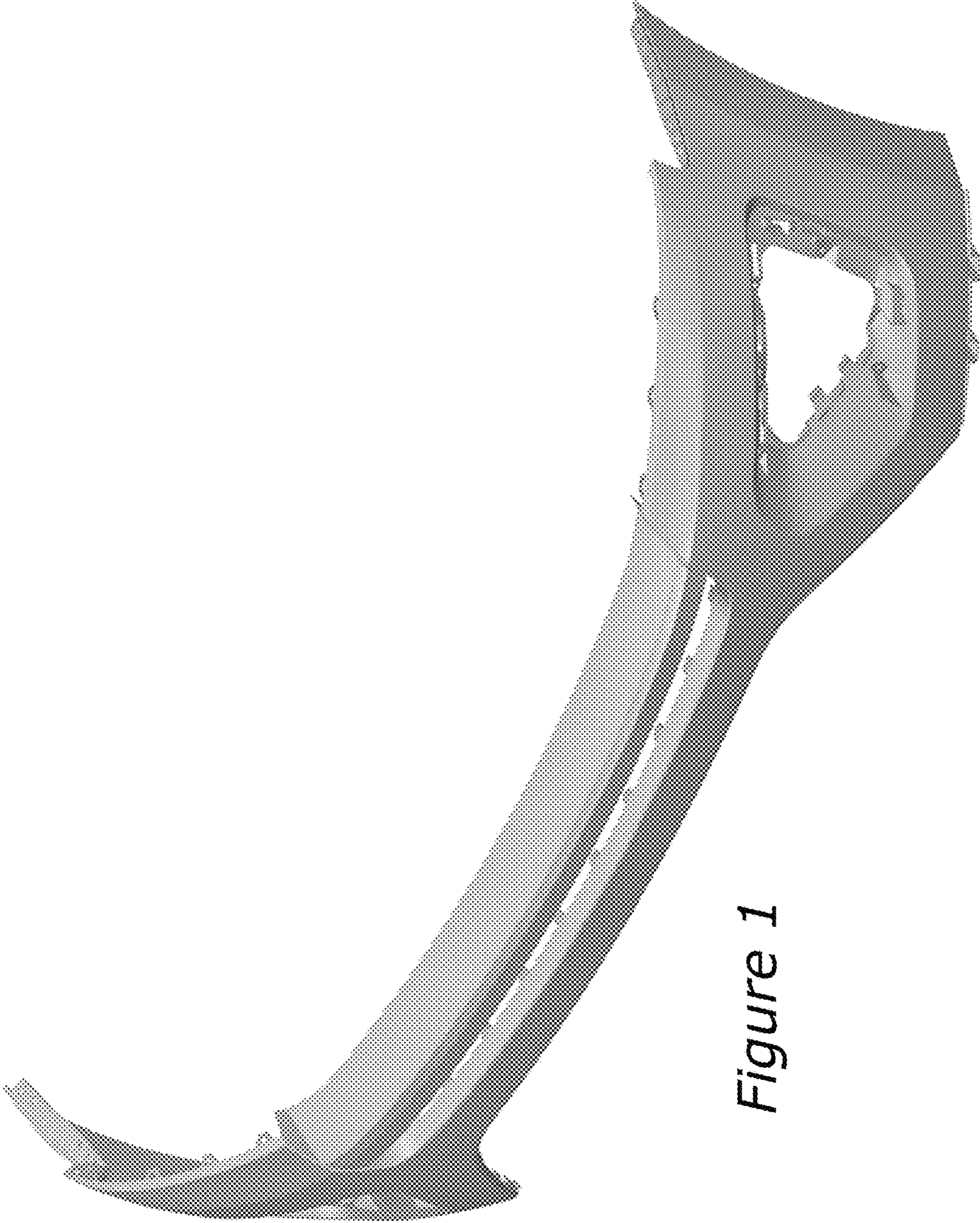


Figure 1

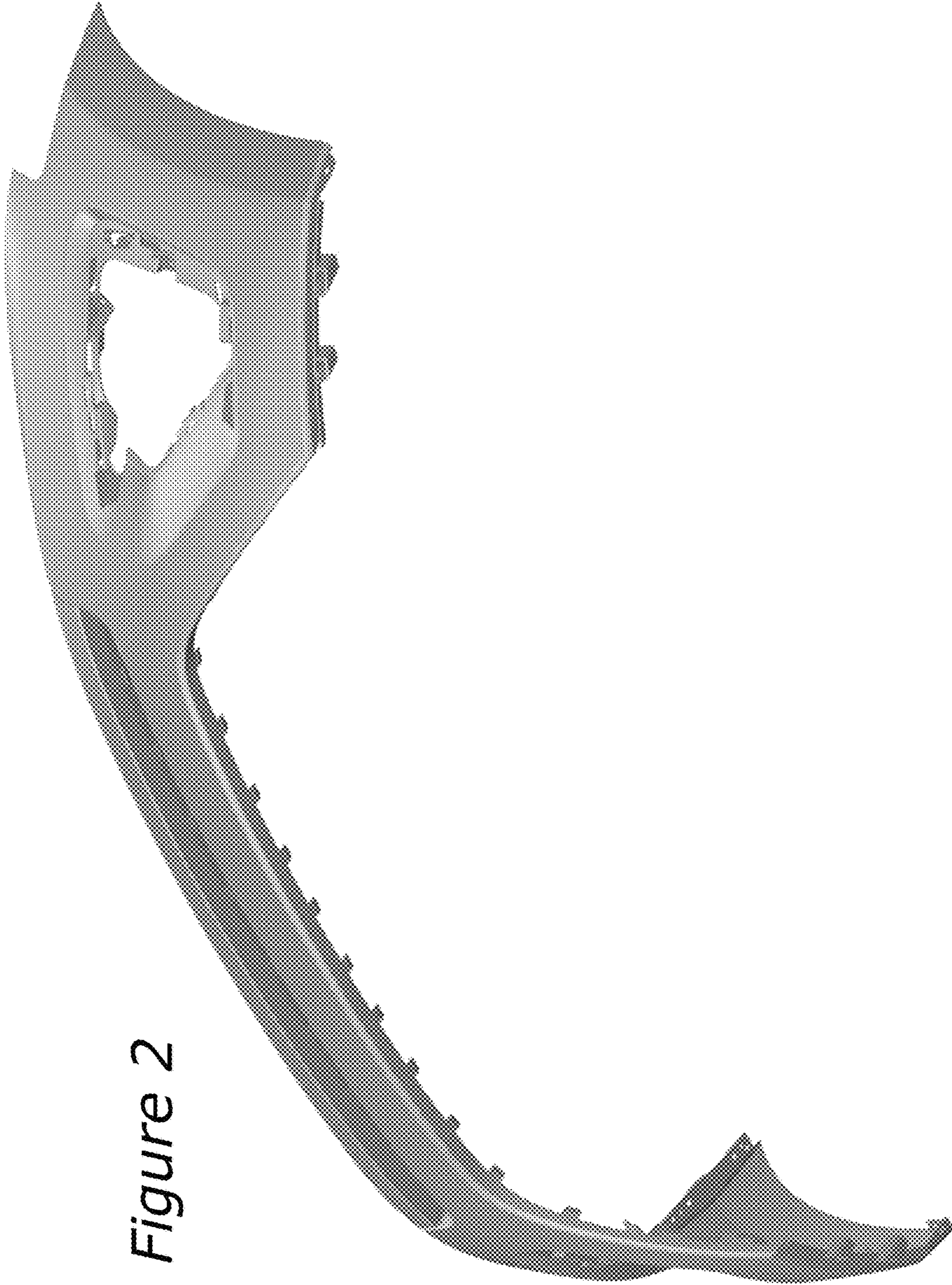


Figure 2

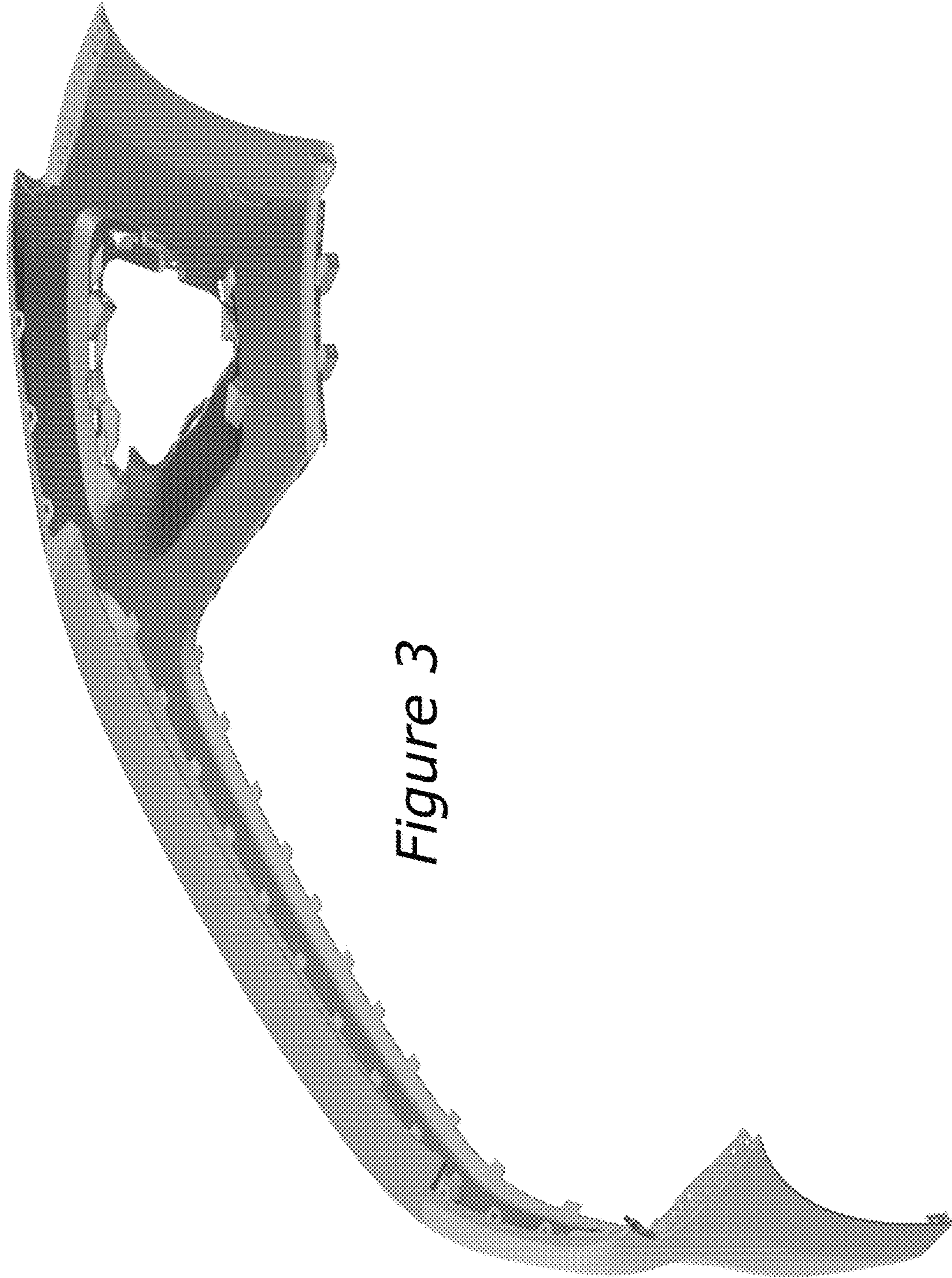


Figure 3

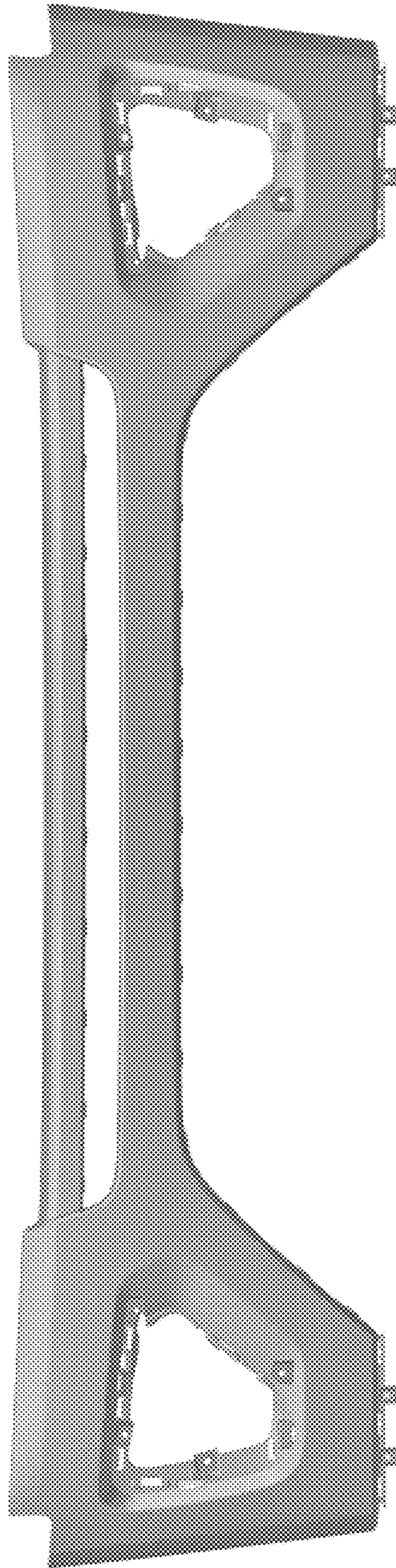


Figure 4

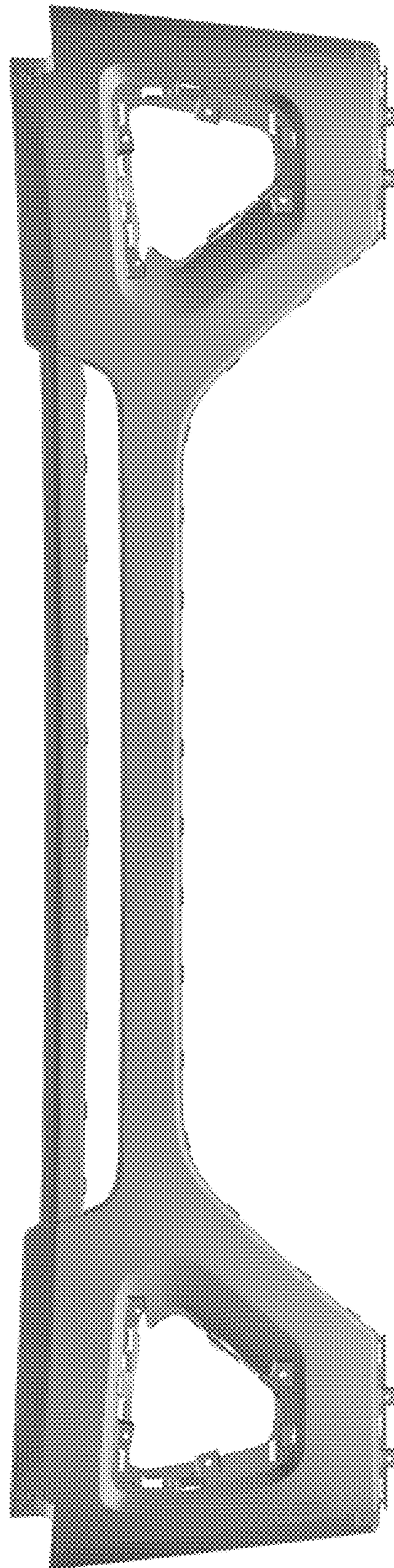
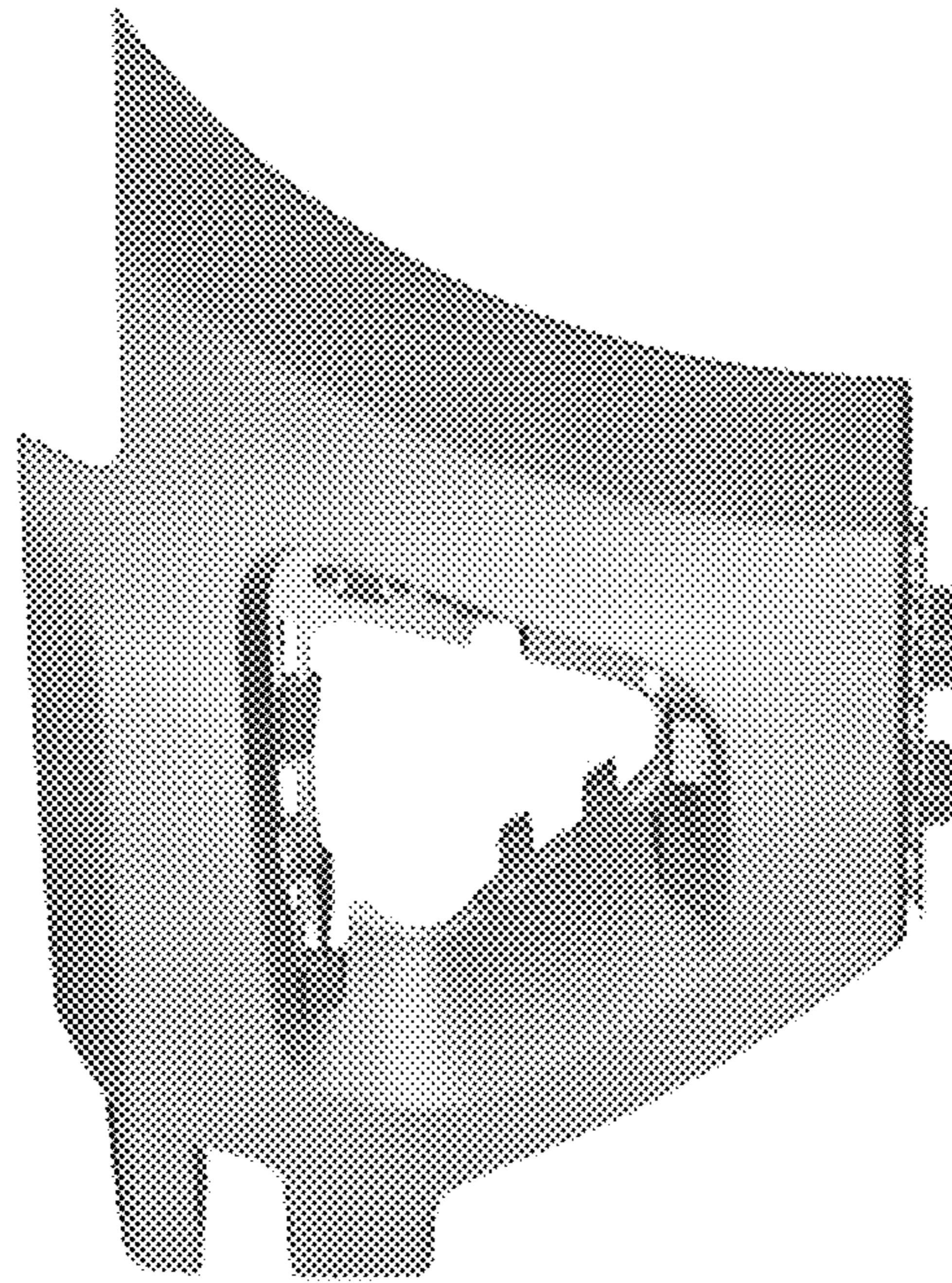


Figure 5



*Figure 6*

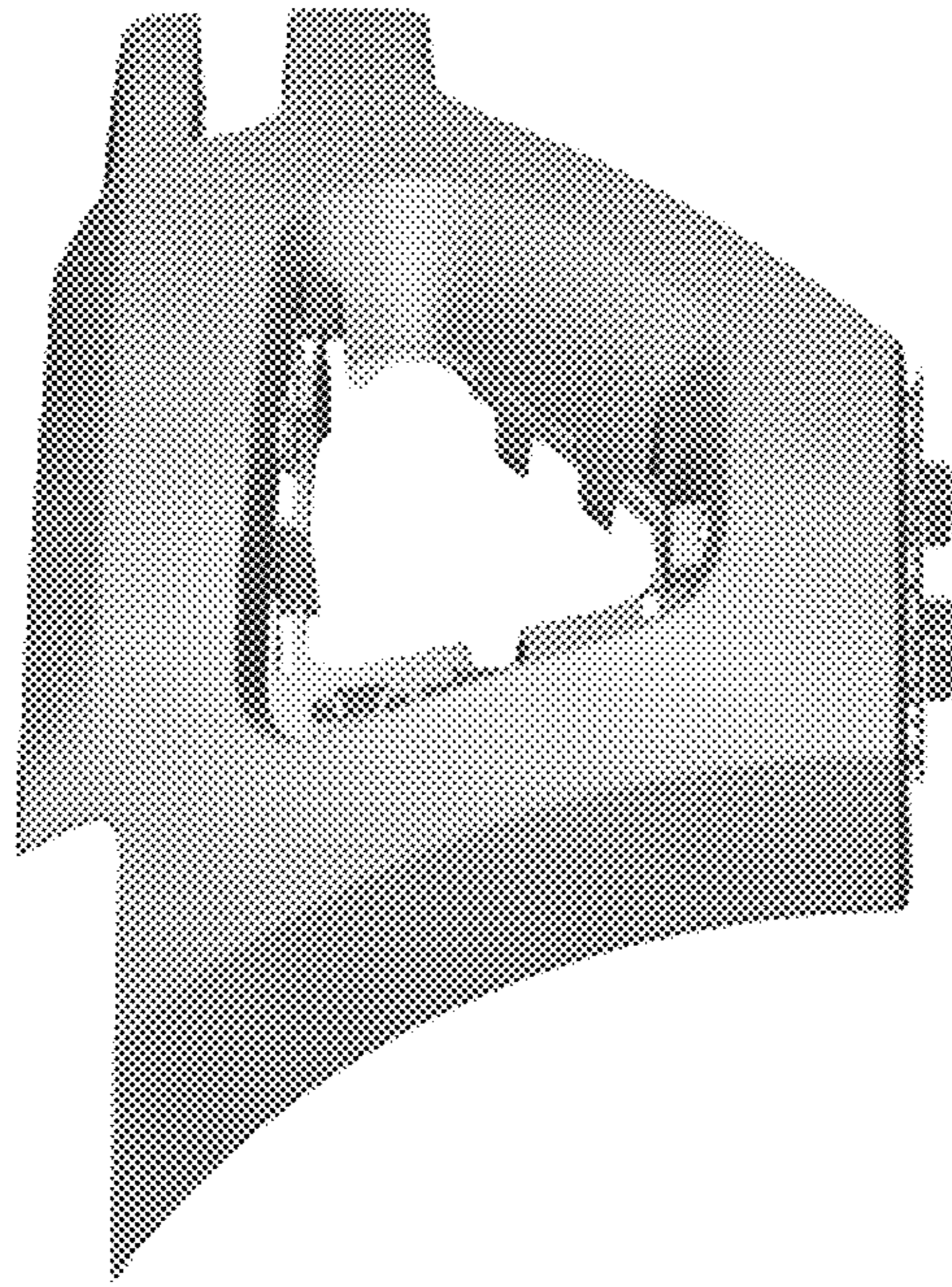


Figure 7



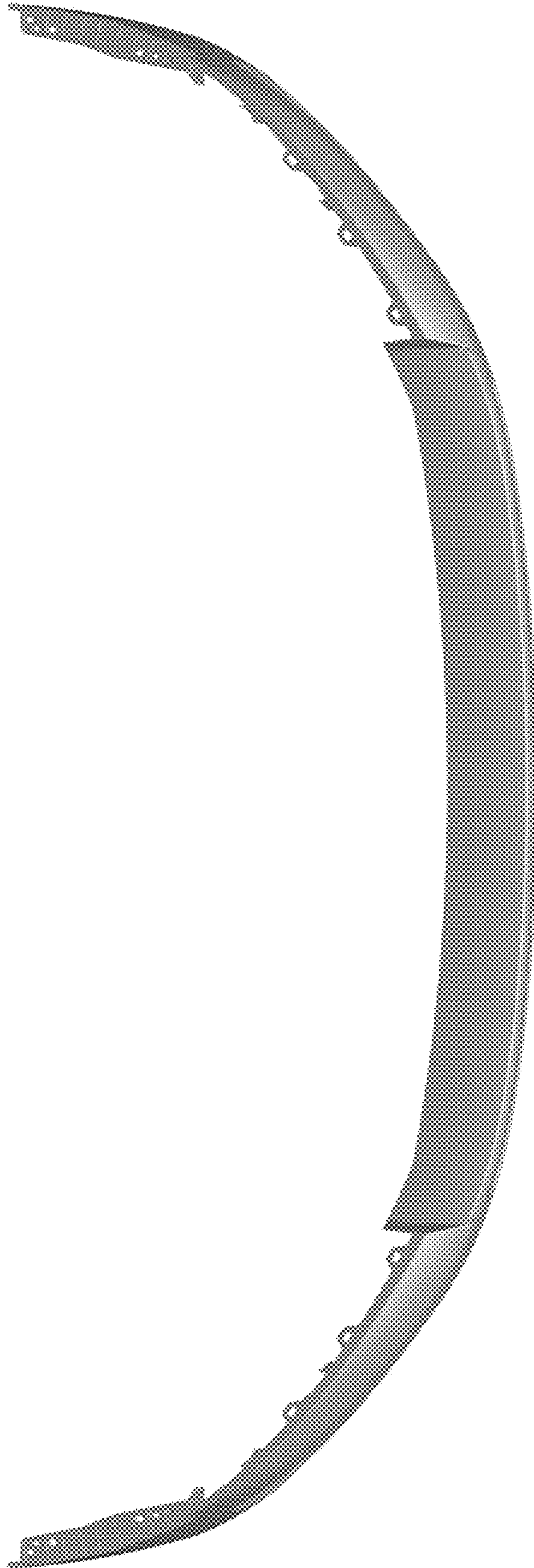


Figure 8

Figure 9

