



US00D817233S

(12) **United States Design Patent** (10) **Patent No.:** **US D817,233 S**
Bucher et al. (45) **Date of Patent:** **** May 8, 2018**

(54) **VEHICLE FRONT GRILLE**

FOREIGN PATENT DOCUMENTS

(71) Applicant: **Ford Global Technologies, LLC**,
Dearborn, MI (US)

CN 201130310706.5 5/2012

(72) Inventors: **George Bucher**, Dearborn, MI (US);
Dean Carbis, Bloomfield Hills, MI (US);
Shawn Yu, Canton, MI (US)

OTHER PUBLICATIONS

Brad Anderson <http://www.carscoops.com/2016/02/ford-ecosport-tipped-to-reach-us-shores.html> Ford EcoSport Tipped to Reach US Shores, dated Feb. 13, 2016.

(73) Assignee: **Ford Global Technologies, LLC**,
Dearborn, MI (US)

Unknown <http://www.2017suv.net/2018-ford-ecosport-release-2017-in-usa/> 2018 Ford EcoSport Release 2017 in USA dated Feb. 20, 2016.

(**) Term: **15 Years**

Brandon Turkus <http://www.autoblog.com/2016/04/25/ford-ecosport-spy-shots-us/> Ford EcoSport spotted in US with Escape-inspired face dated Apr. 25, 2016.

(21) Appl. No.: **29/583,144**

Unknown <http://www.oncars.in/car-news/spotted-2017-ford-ecosport-reveals-front-facia-india-launch-by-next-year/10372>

(22) Filed: **Nov. 2, 2016**

Spotted: 2017 Ford EcoSport reveals front facia; India launch by next year dated Apr. 28, 2016.

(51) **LOC (11) Cl.** **12-16**

(52) **U.S. Cl.**

* cited by examiner

USPC **D12/163**

(58) **Field of Classification Search**

Primary Examiner — Melody N. Brown

USPC D12/163, 196, 86, 90-92, 171, 169, 216,
D12/98; 180/68.1, 68.6; 293/193.11

(74) *Attorney, Agent, or Firm* — James Dottavio

CPC B62D 25/08; B62B 9/16; B60K 11/08;
B60R 19/52

(57) **CLAIM**

See application file for complete search history.

The ornamental design for a vehicle front grille, as shown and described.

DESCRIPTION

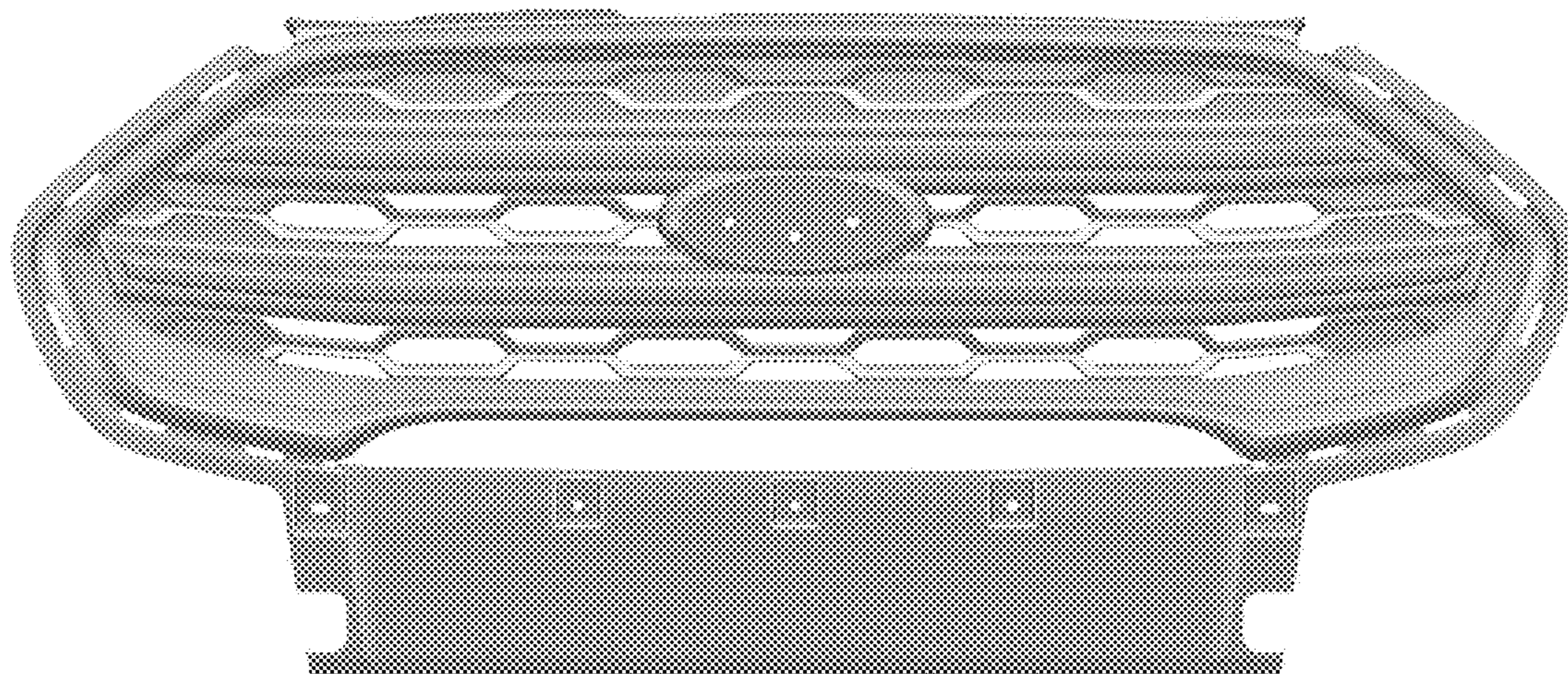
(56) **References Cited**

U.S. PATENT DOCUMENTS

D712,317 S	*	9/2014	George	D12/163
D715,705 S	*	10/2014	Cambell	D12/163
D741,227 S	*	10/2015	Messale	D12/92
D775,554 S	*	1/2017	Kapitonov	D12/163
D780,645 S	*	3/2017	Bucher	D12/163
D786,145 S	*	5/2017	Kozub	D12/163
D788,643 S	*	6/2017	Bucher	D12/91
D792,814 S	*	7/2017	Kozub	D12/163
D803,731 S	*	11/2017	Zipfel	D12/163
D805,005 S	*	12/2017	Tomita	D12/163
D805,965 S	*	12/2017	Davis	D12/163

FIG. 1 is a top and left side perspective view of a vehicle front grille showing our new design;
FIG. 2 is a bottom and left side perspective view thereof;
FIG. 3 is a top and rear perspective view thereof;
FIG. 4 is a front elevational view thereof;
FIG. 5 is a rear elevational view thereof;
FIG. 6 is a left side elevational view thereof;
FIG. 7 is a right side elevational view thereof;
FIG. 8 is a top plan view thereof; and,
FIG. 9 is a bottom plan view thereof.

1 Claim, 9 Drawing Sheets



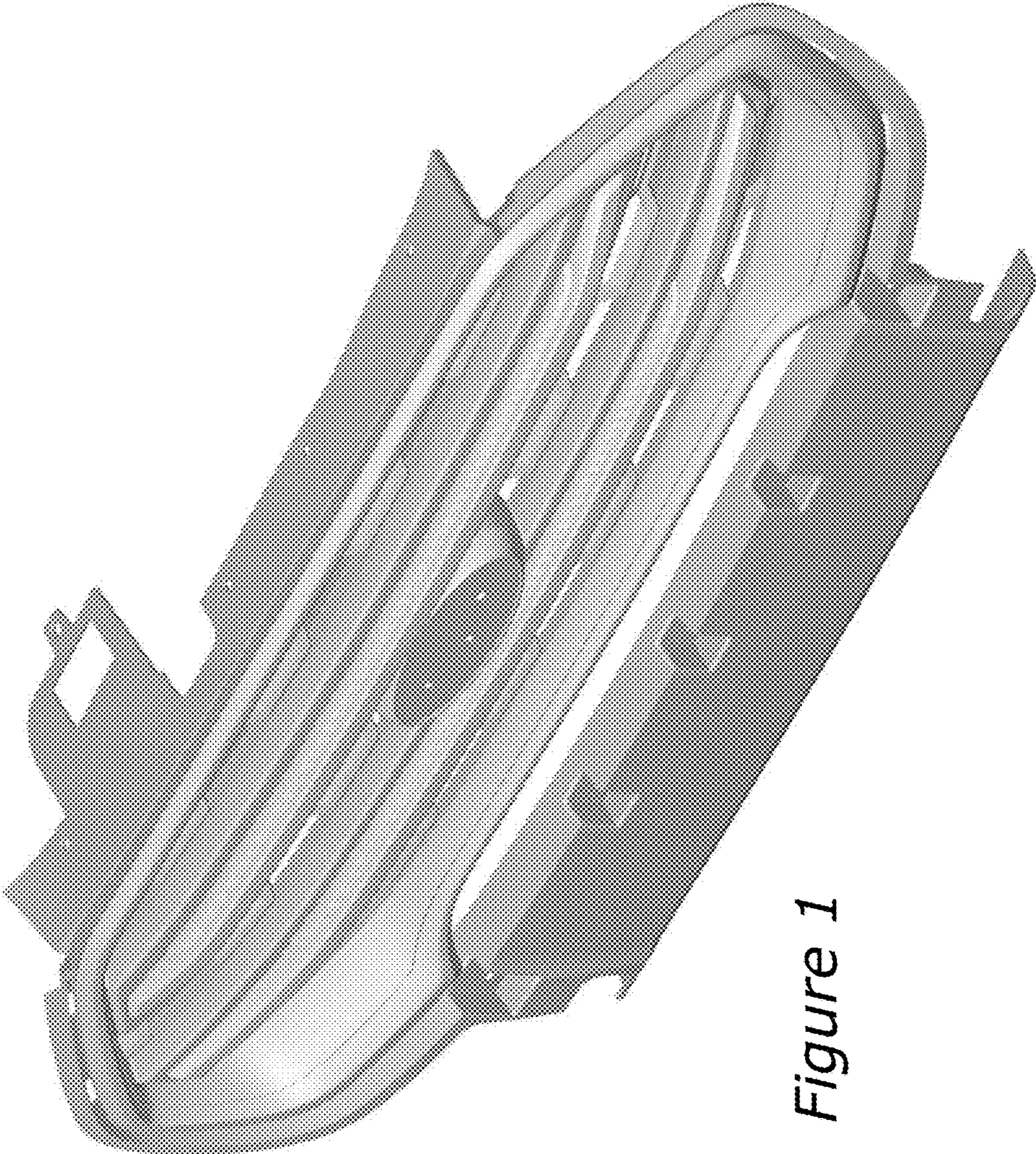


Figure 1

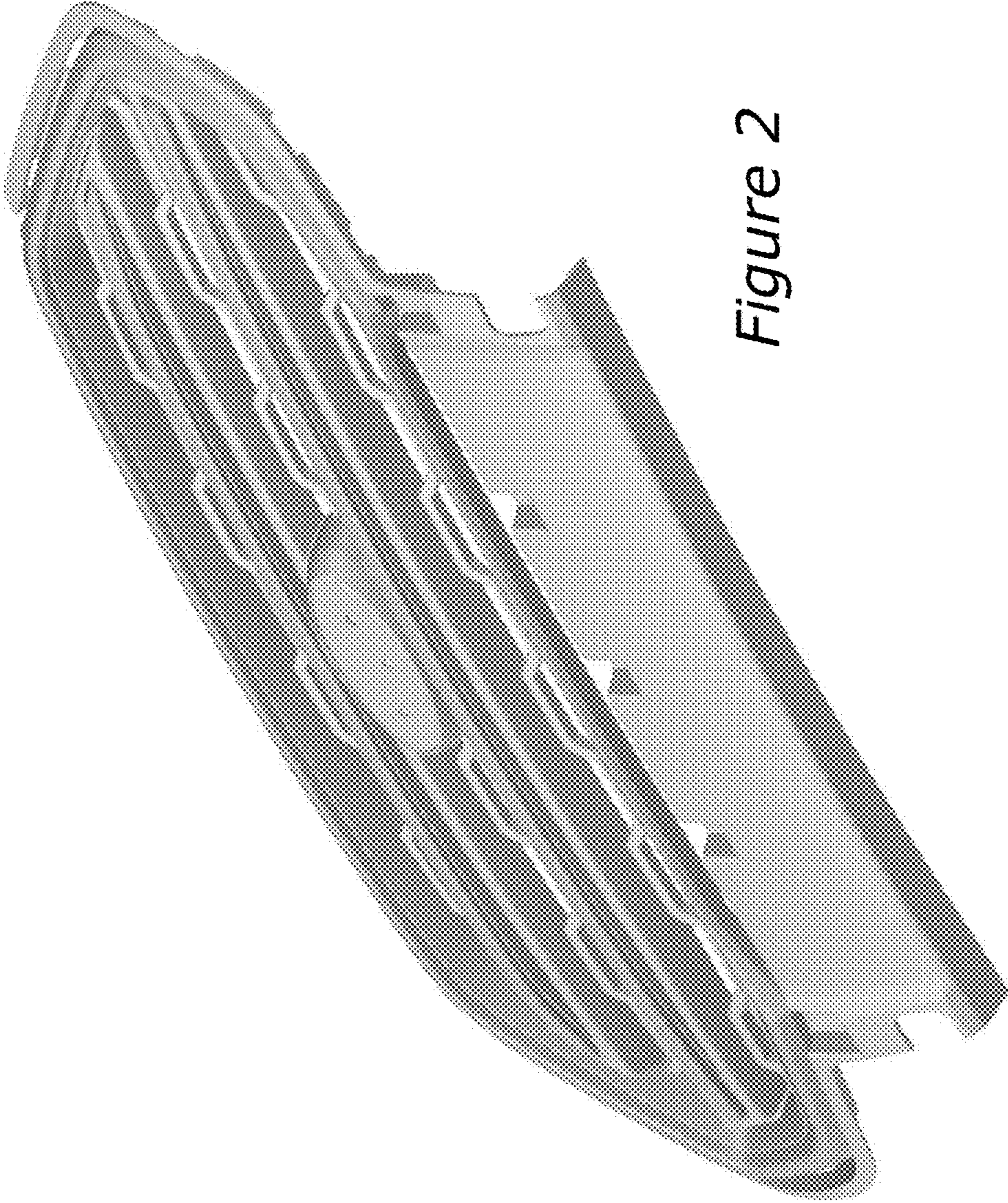


Figure 2

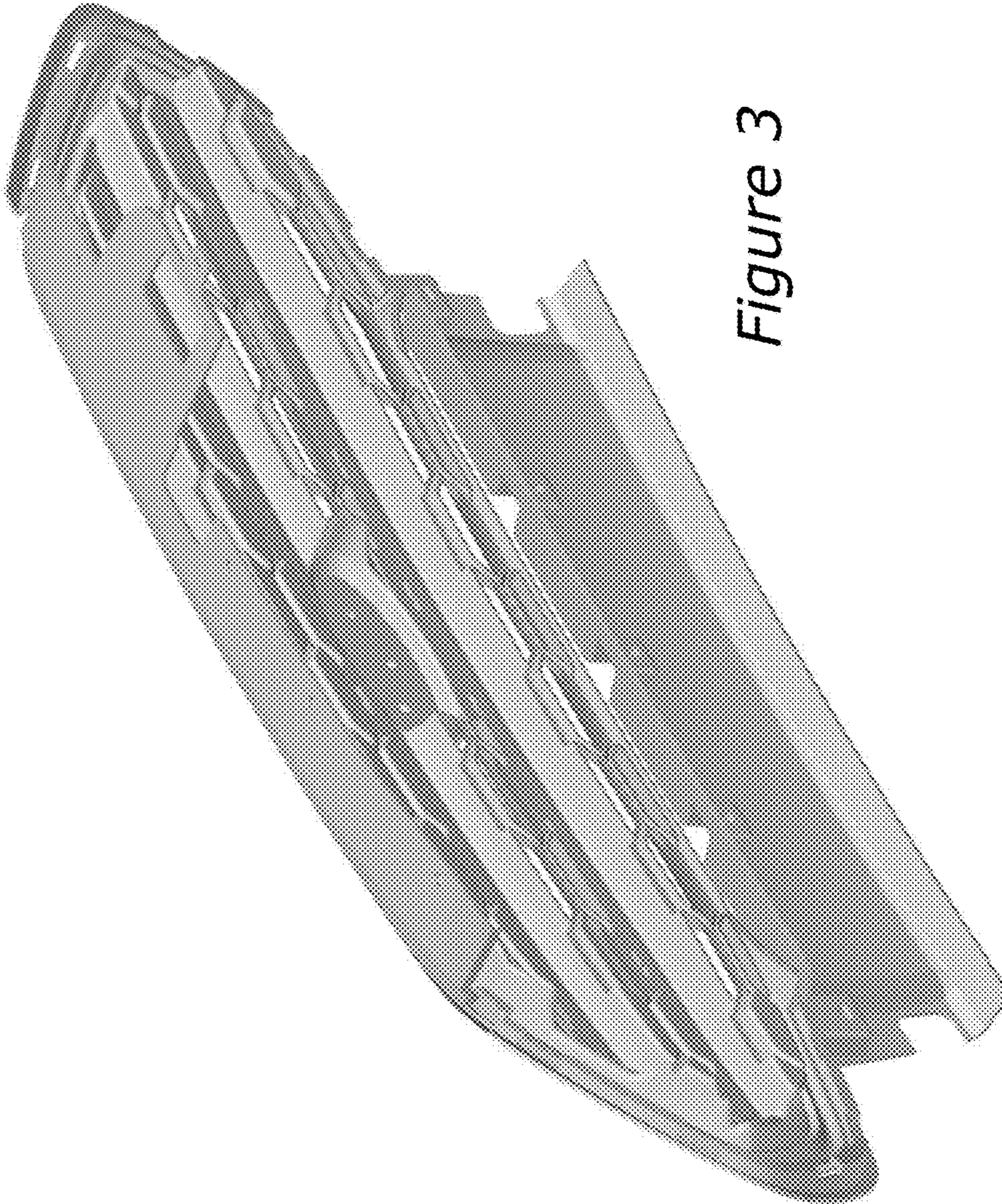


Figure 3

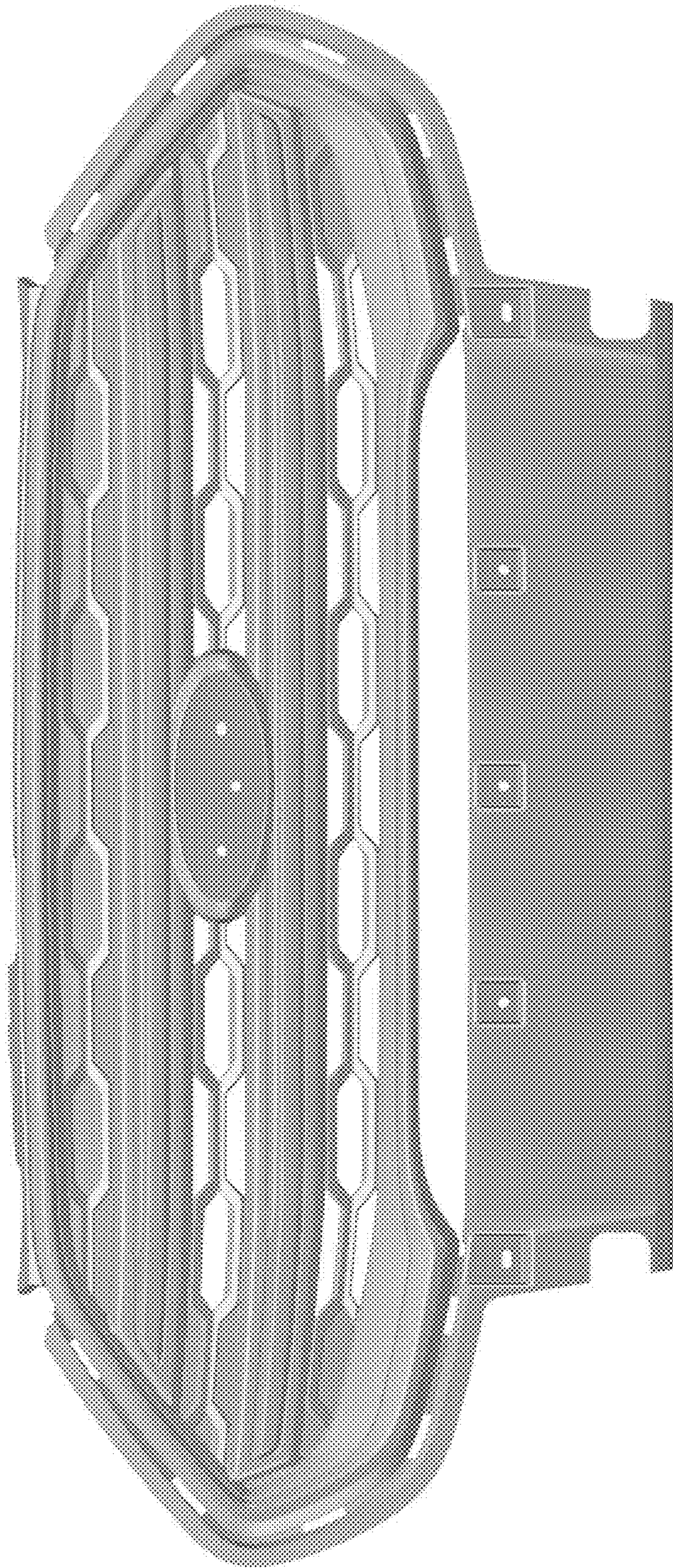


Figure 4

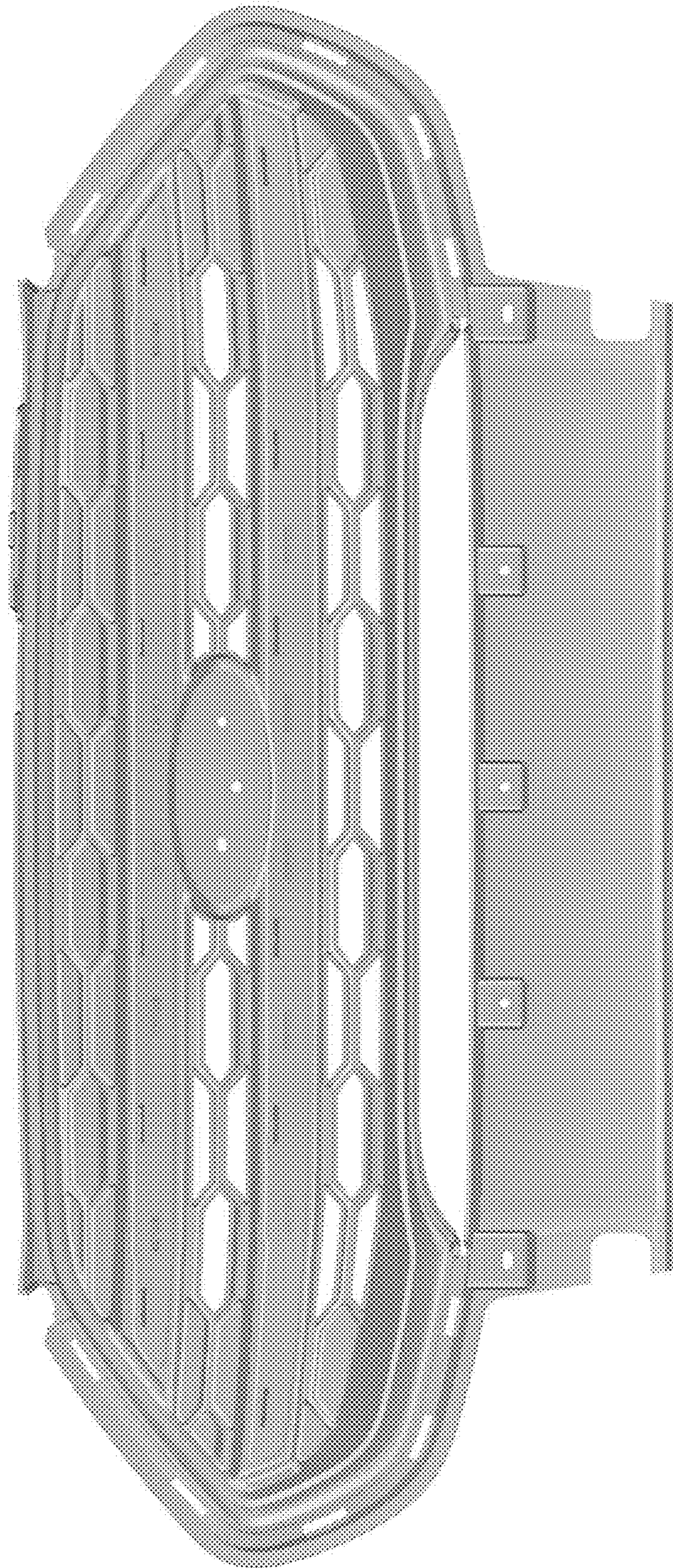


Figure 5

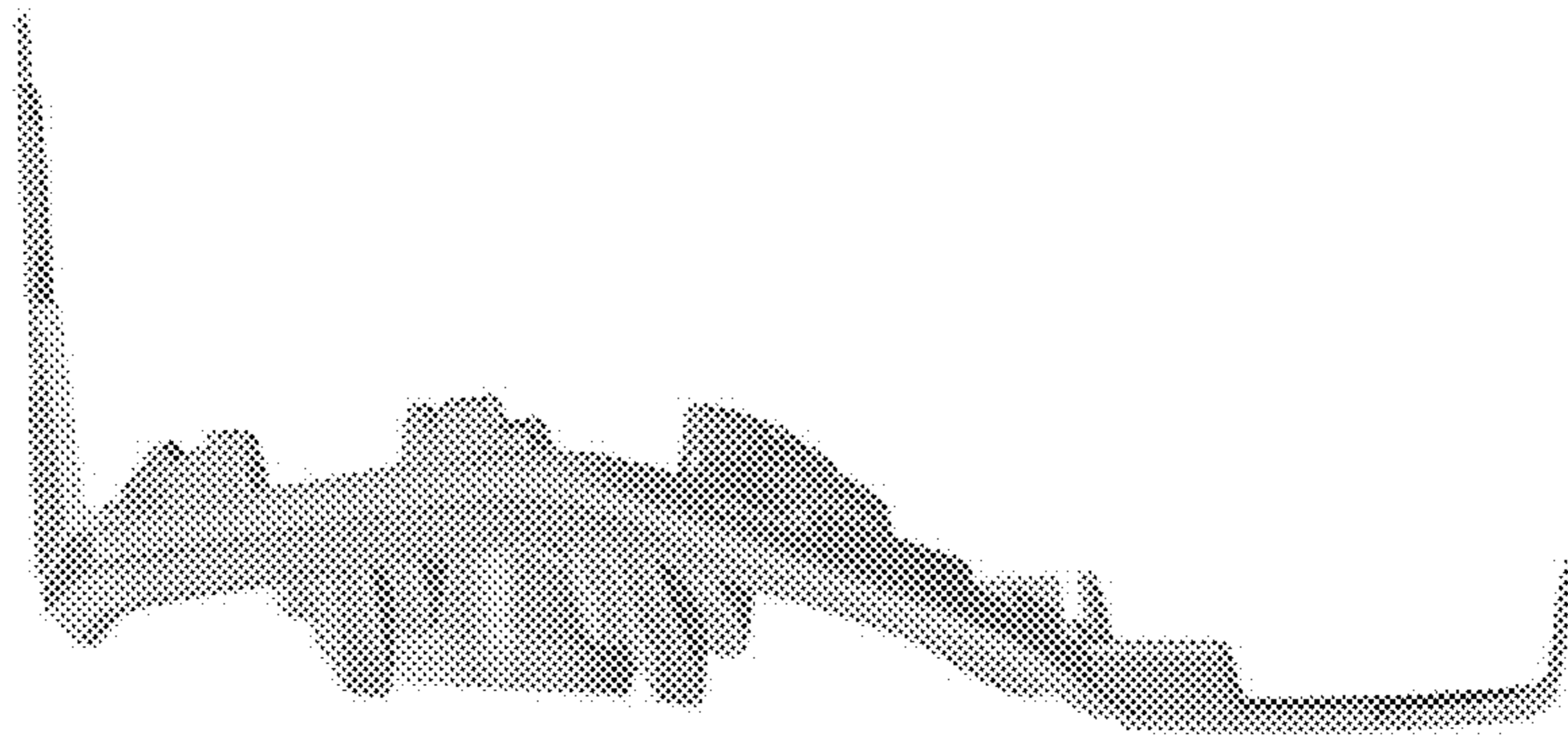


Figure 6

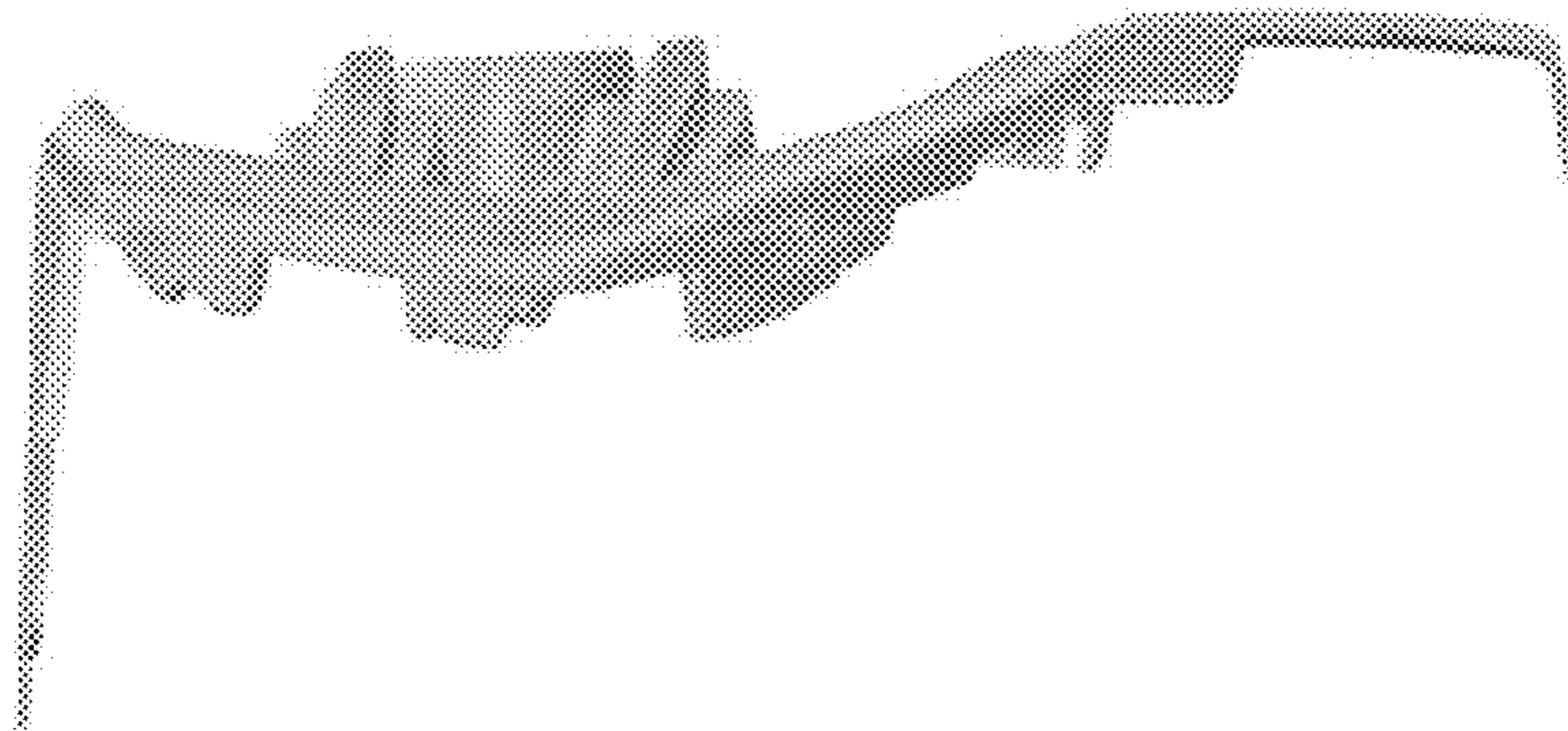


Figure 7

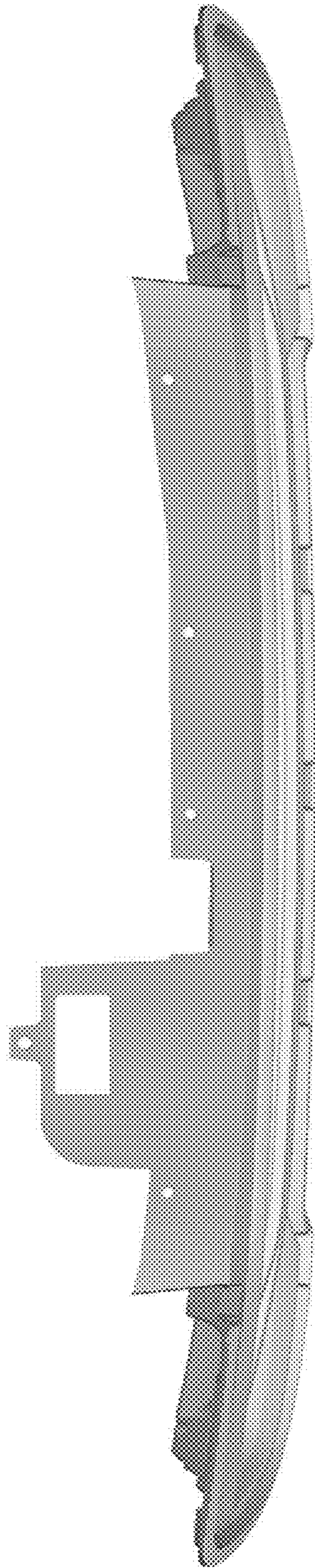


Figure 8

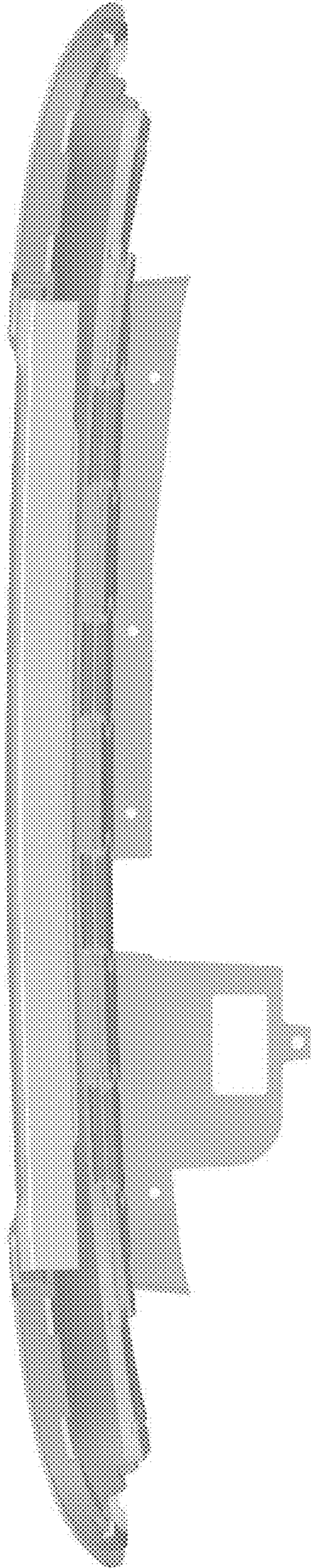


Figure 9