



US00D817230S

(12) **United States Design Patent**
Tamura

(10) **Patent No.:** **US D817,230 S**
(45) **Date of Patent:** **** May 8, 2018**

- (54) **MOTORCYCLE**
- (71) Applicant: **SUZUKI MOTOR CORPORATION**,
Shizuoka-ken (JP)
- (72) Inventor: **Shinji Tamura**, Hamamatsu (JP)
- (73) Assignee: **SUZUKI MOTOR CORPORATION**,
Shizuoka-ken (JP)
- (**) Term: **15 Years**
- (21) Appl. No.: **29/596,025**
- (22) Filed: **Mar. 3, 2017**

D669,821	S	*	10/2012	Nishihara	D12/110
D688,983	S	*	9/2013	Shibuta	D12/110
D689,406	S	*	9/2013	Yasuhara	D12/110
D695,153	S	*	12/2013	Buckan	D12/110
D695,154	S	*	12/2013	Buckan	D12/110
8,827,024	B1	*	9/2014	Sumi	B62K 25/02 180/227
D723,429	S	*	3/2015	Hohdorf	D12/110
D735,085	S	*	7/2015	Buckan	D12/110
D736,677	S	*	8/2015	Iimura	D12/110
D795,746	S	*	8/2017	Akita	D12/110
D800,023	S	*	10/2017	Kottmann	D12/110
D805,439	S	*	12/2017	Hohdorf	D12/110
D808,865	S	*	1/2018	Kamitani	D12/110
2012/0318598	A1	*	12/2012	Fujiyama	B60K 5/12 180/219
2015/0101875	A1	*	4/2015	Inayama	B60K 13/02 180/225

- (30) **Foreign Application Priority Data**
Sep. 5, 2016 (JP) 2016-019018
- (51) **LOC (11) Cl.** **12-11**
- (52) **U.S. Cl.**
USPC **D12/110**
- (58) **Field of Classification Search**
USPC D12/110, 111, 117; D21/432, 538
CPC B62K 11/00; B62K 11/02; B62K 11/04;
B62K 11/10; B62K 17/00; B62K 19/00;
B62K 2202/00
See application file for complete search history.

* cited by examiner

Primary Examiner — Darlington Ly
(74) *Attorney, Agent, or Firm* — Studebaker & Brackett
PC

(57) **CLAIM**

The ornamental design for a motorcycle, as shown and described.

DESCRIPTION

FIG. 1 is a front elevation view of a motorcycle showing my new design;
FIG. 2 is a rear elevation view thereof;
FIG. 3 is a top plan view thereof;
FIG. 4 is a bottom plan view thereof;
FIG. 5 is a left side elevation view thereof;
FIG. 6 is a right side elevation view thereof;
FIG. 7 is a front and left side perspective view thereof;
FIG. 8 is a rear and left side perspective view thereof;
FIG. 9 is a front and right side perspective view thereof; and,
FIG. 10 is a rear and right side perspective view thereof.

1 Claim, 6 Drawing Sheets

- (56) **References Cited**
U.S. PATENT DOCUMENTS
- | | | | | | | |
|----------|---|---|---------|-----------|-------|---------|
| D582,316 | S | * | 12/2008 | Stenegard | | D12/110 |
| D591,205 | S | * | 4/2009 | Heinrich | | D12/110 |
| D597,449 | S | * | 8/2009 | Nagao | | D12/110 |
| D601,458 | S | * | 10/2009 | Nagao | | D12/110 |
| D605,089 | S | * | 12/2009 | Tanaka | | D12/110 |
| D636,708 | S | * | 4/2011 | Katagiri | | D12/110 |
| D638,756 | S | * | 5/2011 | Kouchi | | D12/110 |
| D647,824 | S | * | 11/2011 | Kouchi | | D12/110 |
| D651,138 | S | * | 12/2011 | Lai | | D12/110 |
| D652,769 | S | * | 1/2012 | Kudo | | D12/110 |

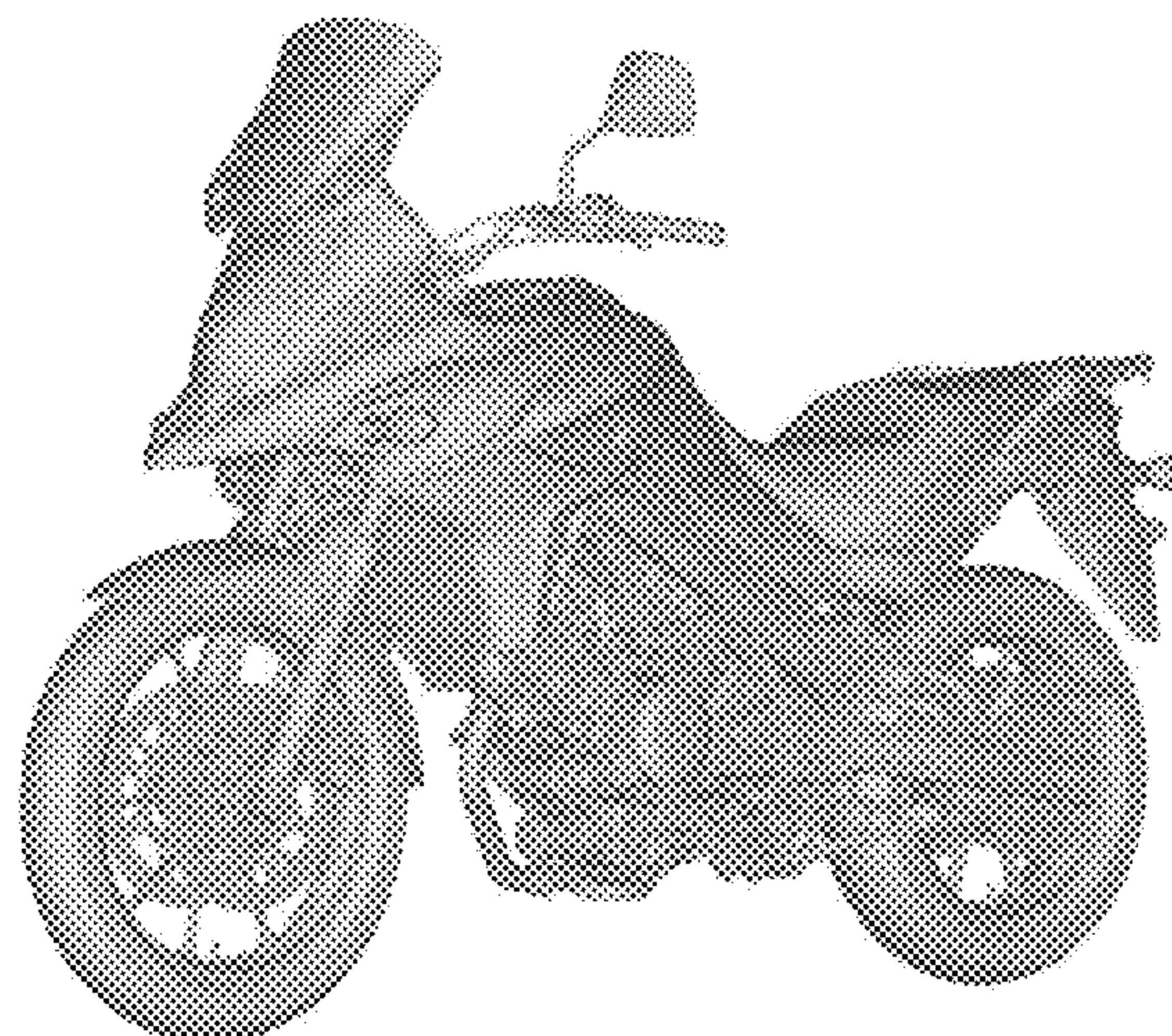


FIG.1

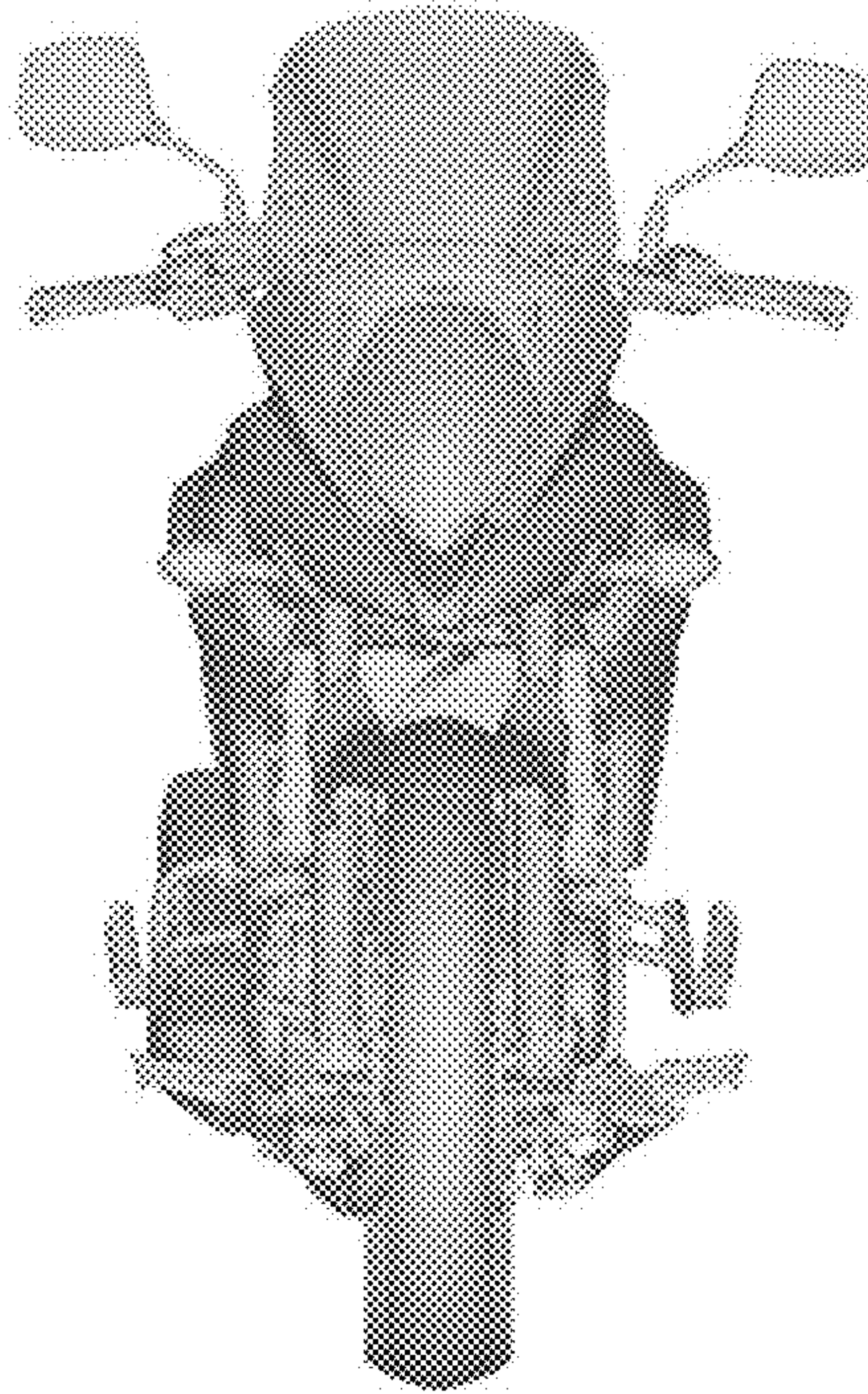


FIG.2

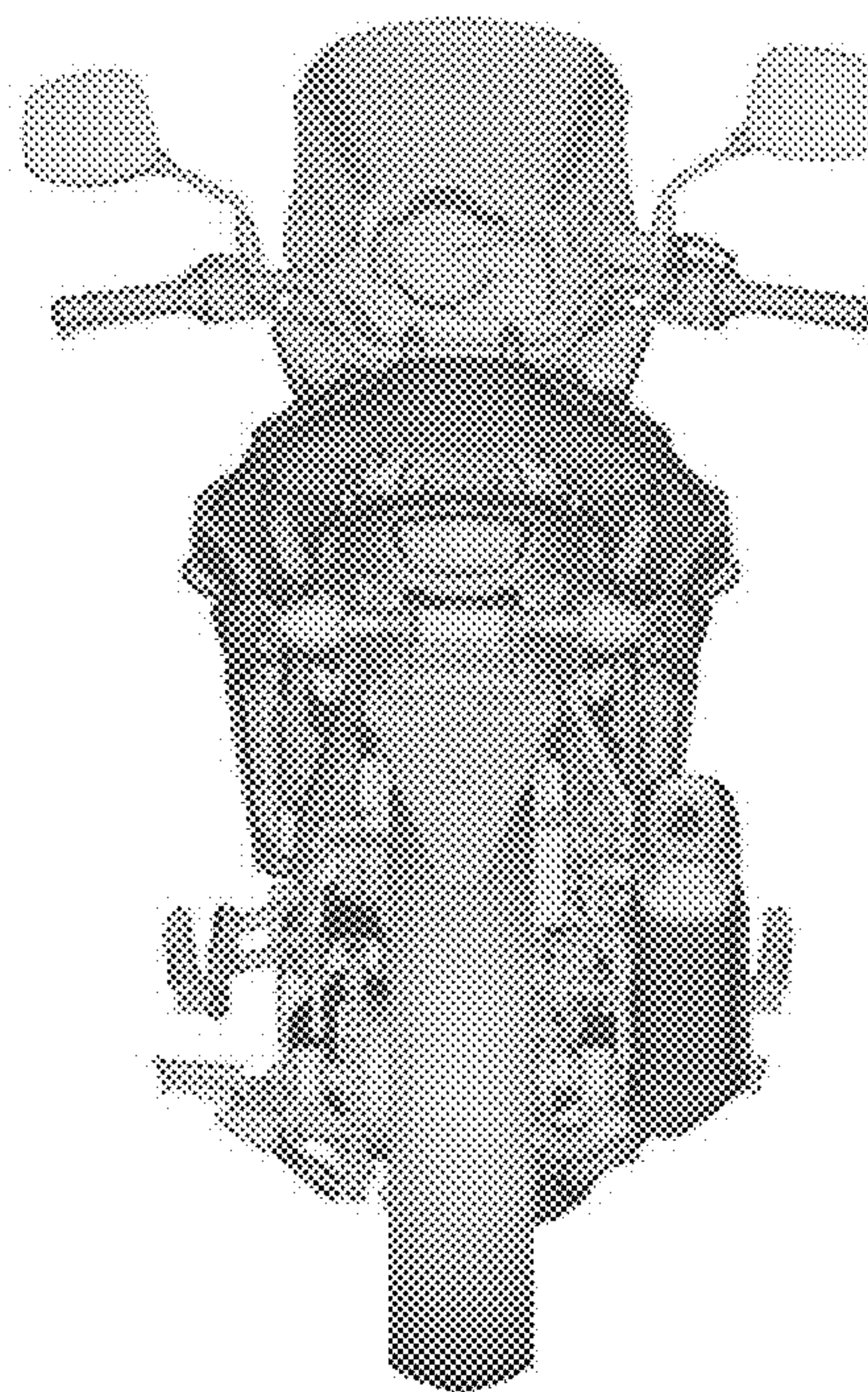


FIG.3

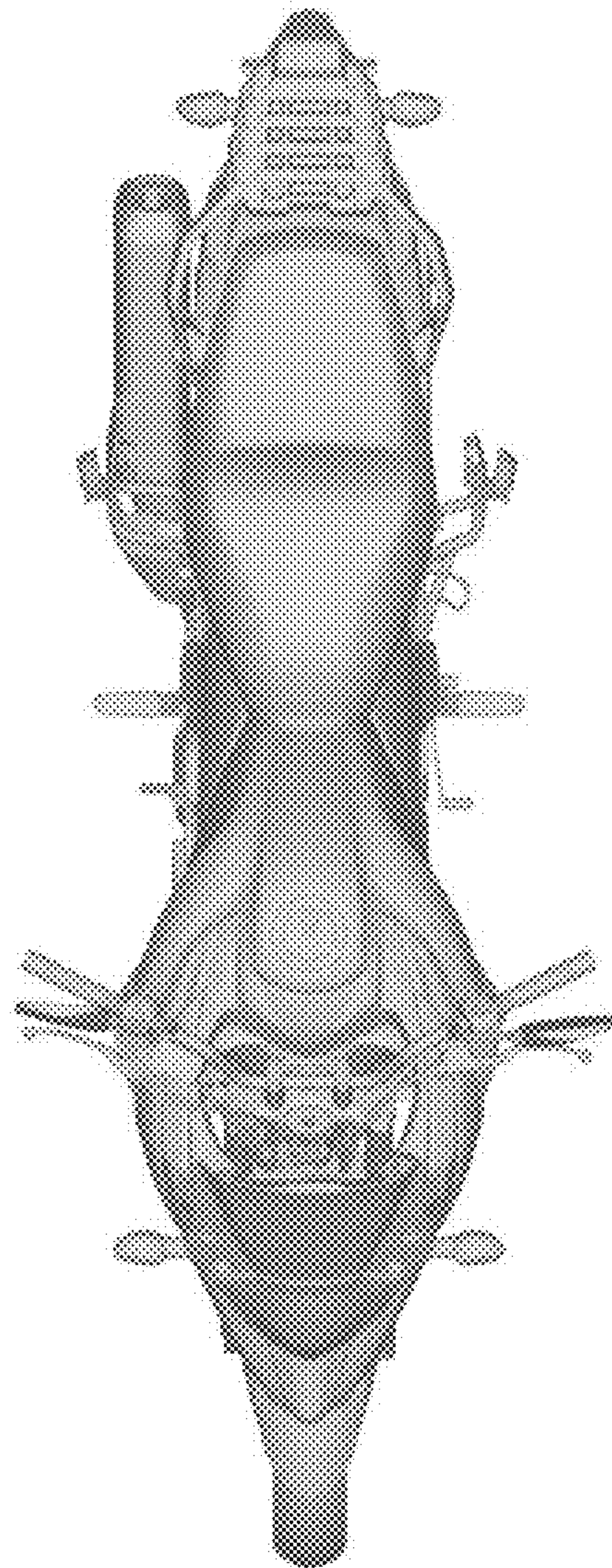


FIG.4

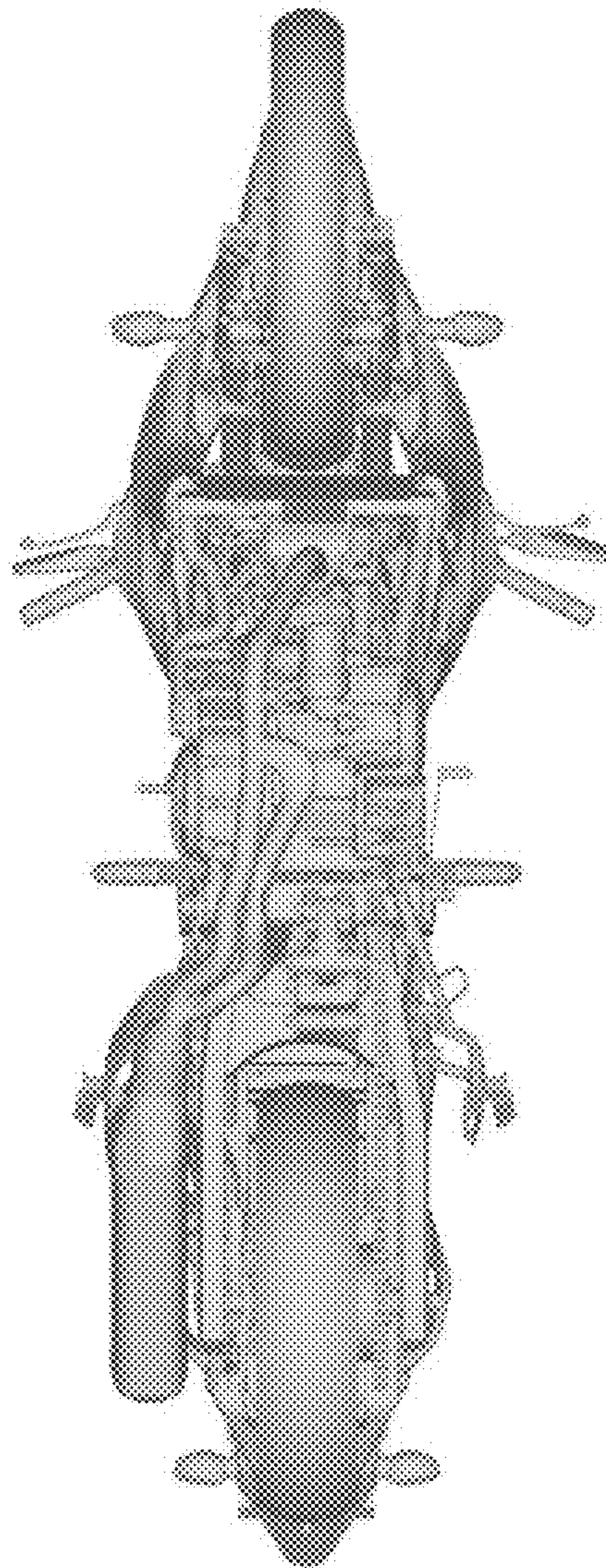


FIG.5

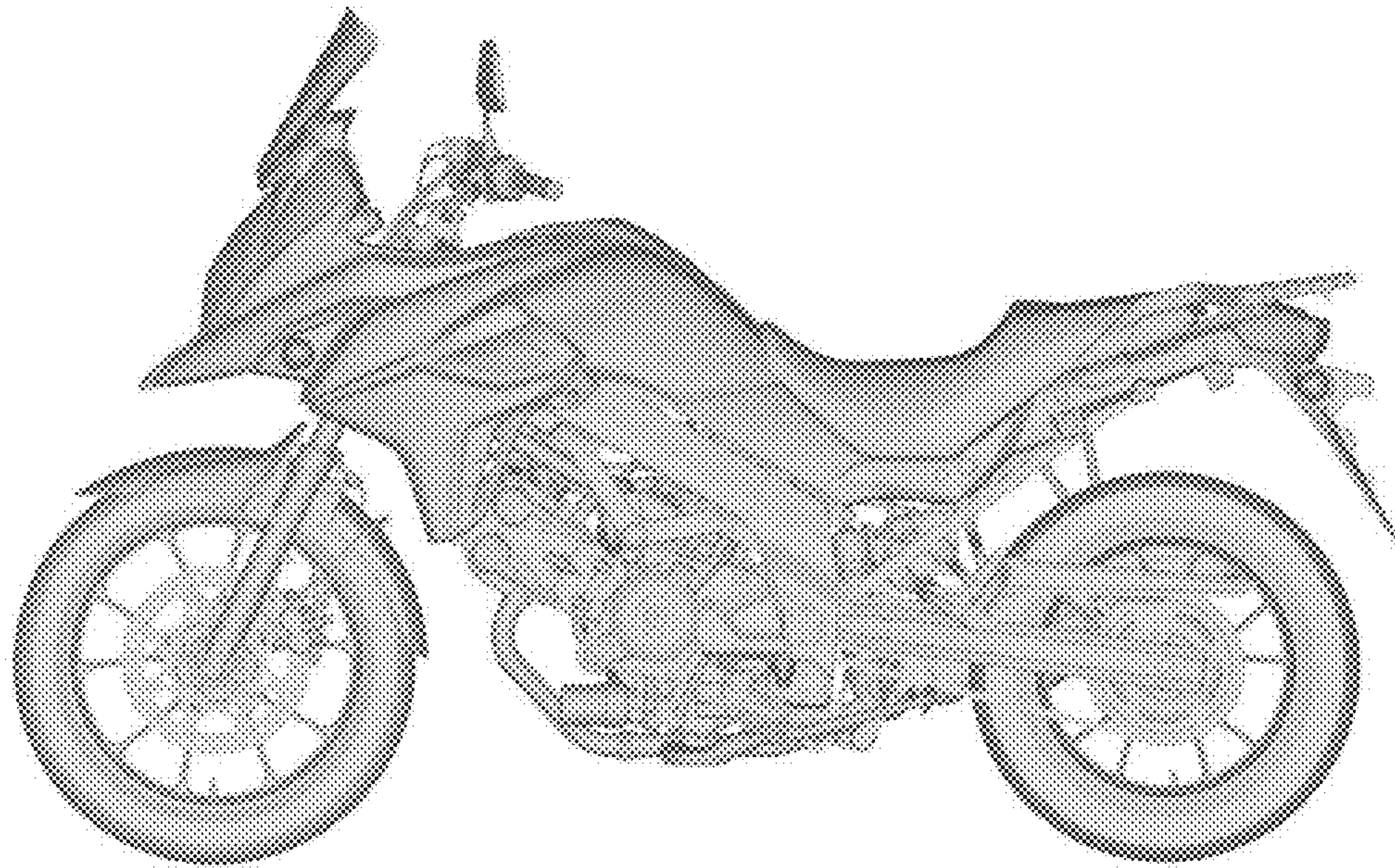


FIG.6

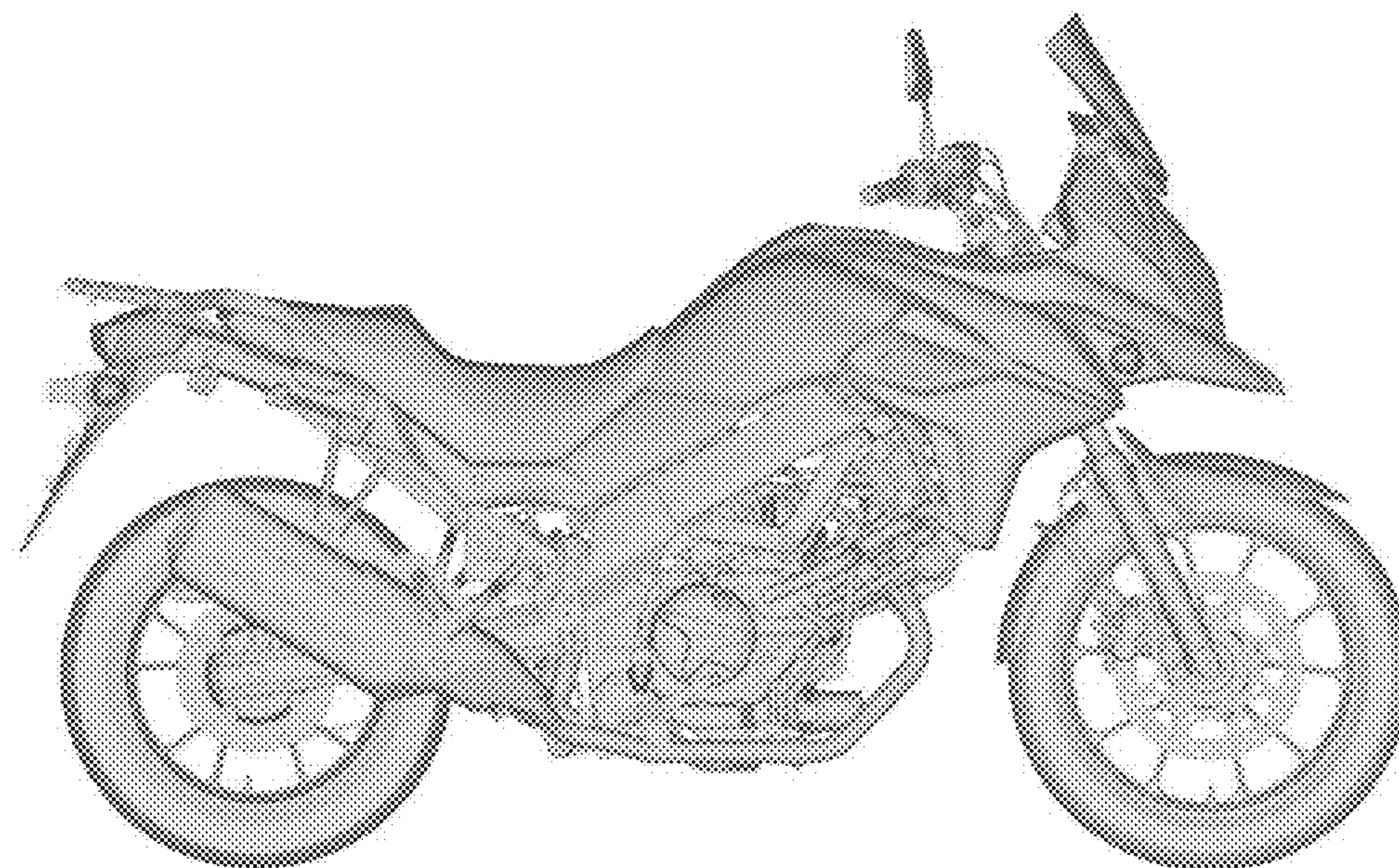


FIG.7

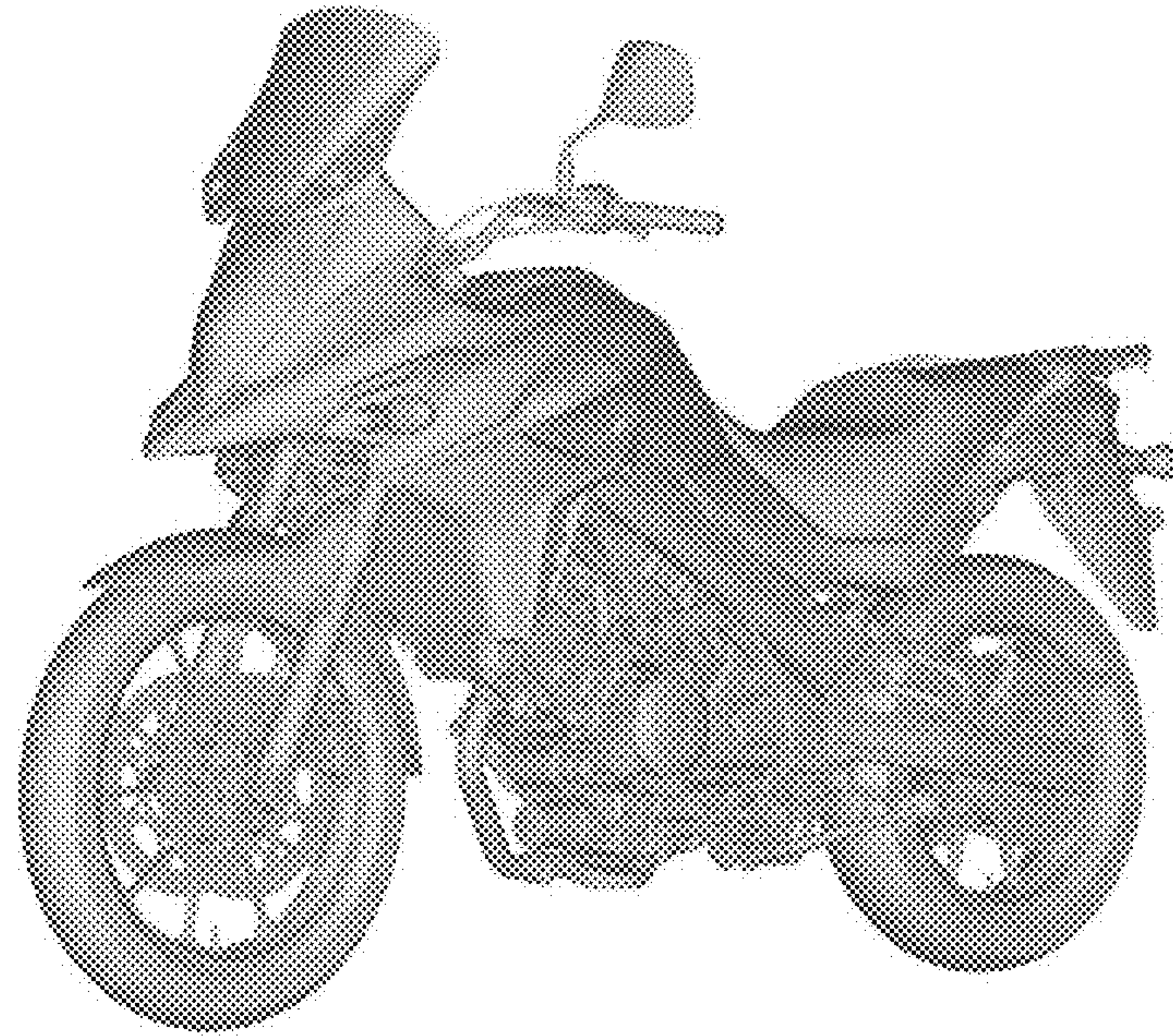


FIG.8

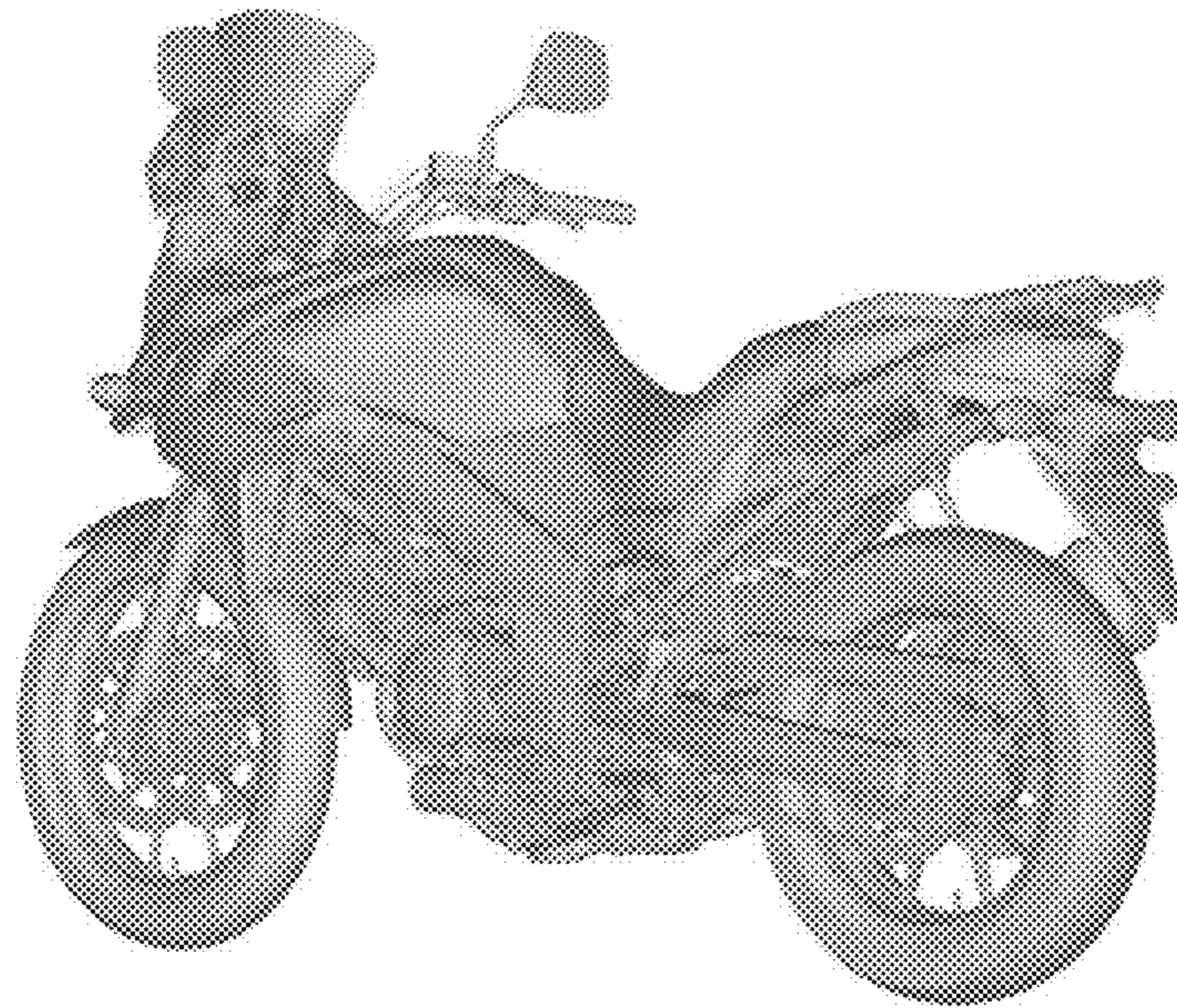


FIG.9



FIG.10

