



US00D817229S

(12) **United States Design Patent** (10) **Patent No.:** **US D817,229 S**
Anderson et al. (45) **Date of Patent:** **** May 8, 2018**

(54) **BODY PART FOR VEHICLE**
(71) Applicant: **Volvo Lastvagnar AB**, Göteborg (SE)
(72) Inventors: **Ian Anderson**, Greensboro, NC (US);
Jeff Cotner, Greensboro, NC (US)
(73) Assignee: **VOLVO LASTVAGNAR AB**,
Göteborg (SE)
(**) Term: **15 Years**
(21) Appl. No.: **29/600,086**
(22) Filed: **Apr. 10, 2017**
(51) **LOC (11) Cl.** **12-08**
(52) **U.S. Cl.**
USPC **D12/96**
(58) **Field of Classification Search**
USPC D12/86, 88, 90, 91, 93, 95, 96, 97, 167,
D12/173, 181, 196, 401, 404; D21/424,
D21/434, 581; 180/89.16, 89.19;
296/190.1, 146.1
CPC B60Q 1/00; B60R 13/04; B60R 19/54;
B62D 25/168; B62D 25/12; B62D 27/026
See application file for complete search history.

(56) **References Cited**
U.S. PATENT DOCUMENTS
4,813,736 A * 3/1989 Schubert B62D 25/12
180/89.14
D305,313 S * 1/1990 Brunger D12/96
D411,816 S * 7/1999 Reynard D12/96
D421,412 S * 3/2000 Sutton D12/96
D422,944 S * 4/2000 Hellhake D12/96
D425,826 S * 5/2000 Hellhake D12/96
6,682,129 B2 * 1/2004 Baggett B62D 33/0612
296/190.01
D570,741 S * 6/2008 Emoto D12/96
D571,259 S * 6/2008 Emoto D12/96
D619,049 S * 7/2010 Beigel D12/96

D632,614 S * 2/2011 Iuchi D12/96
D634,244 S * 3/2011 Aris D12/96
D653,994 S * 2/2012 Fukushima D12/96
D666,528 S * 9/2012 Lai D12/96
8,668,255 B1 * 3/2014 Randleman B62D 25/07
296/102
D703,105 S * 4/2014 Riggs D12/96
D711,788 S * 8/2014 Brzustowicz D12/96
D719,879 S * 12/2014 Ito D12/96
D748,563 S * 2/2016 Furuki D12/404
D785,052 S * 4/2017 Underhill D15/30
2003/0234556 A1 * 12/2003 Baggett B62D 33/0612
296/190.02
2012/0137490 A1 * 6/2012 Kweon B23K 31/02
29/428
2015/0210331 A1 * 7/2015 Kweon B23K 31/02
29/897.2
2016/0311288 A1 * 10/2016 Mayo Mayo B60H 1/00207

OTHER PUBLICATIONS

Images of Volvo VNL Truck, released 2002, 2 pages.

* cited by examiner

Primary Examiner — Ian Simmons
Assistant Examiner — Yolanda Robinson
(74) *Attorney, Agent, or Firm* — Tucker Ellis LLP

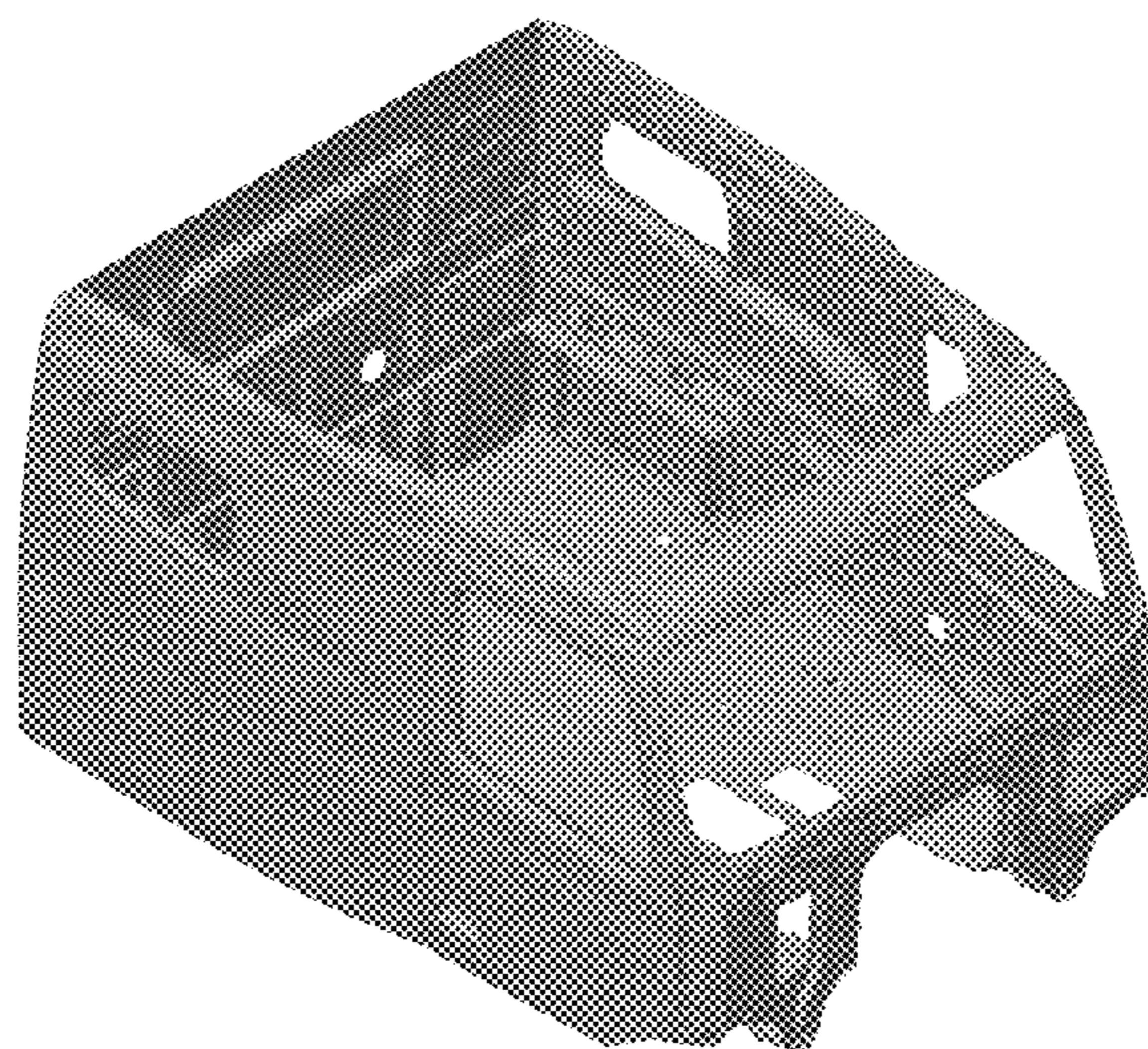
(57) **CLAIM**

The ornamental design for a body part for vehicle, as shown and described.

DESCRIPTION

FIG. 1 is a perspective view of a body part for vehicle showing our new design.
FIG. 2 is a front view thereof.
FIG. 3 is a left side view thereof.
FIG. 4 is a right side view thereof; and,
FIG. 5 is a top view thereof.

1 Claim, 4 Drawing Sheets



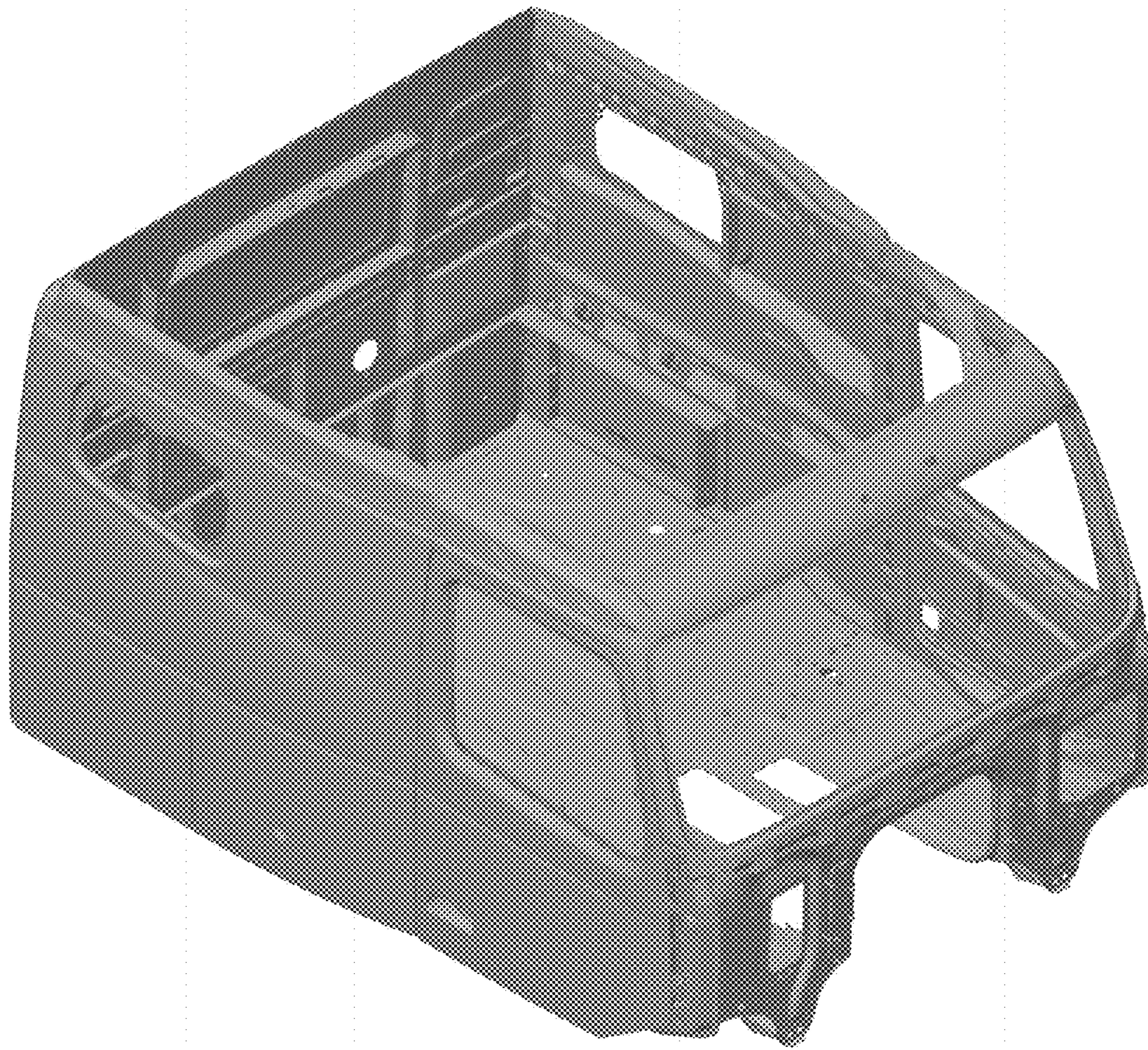


FIG. 1

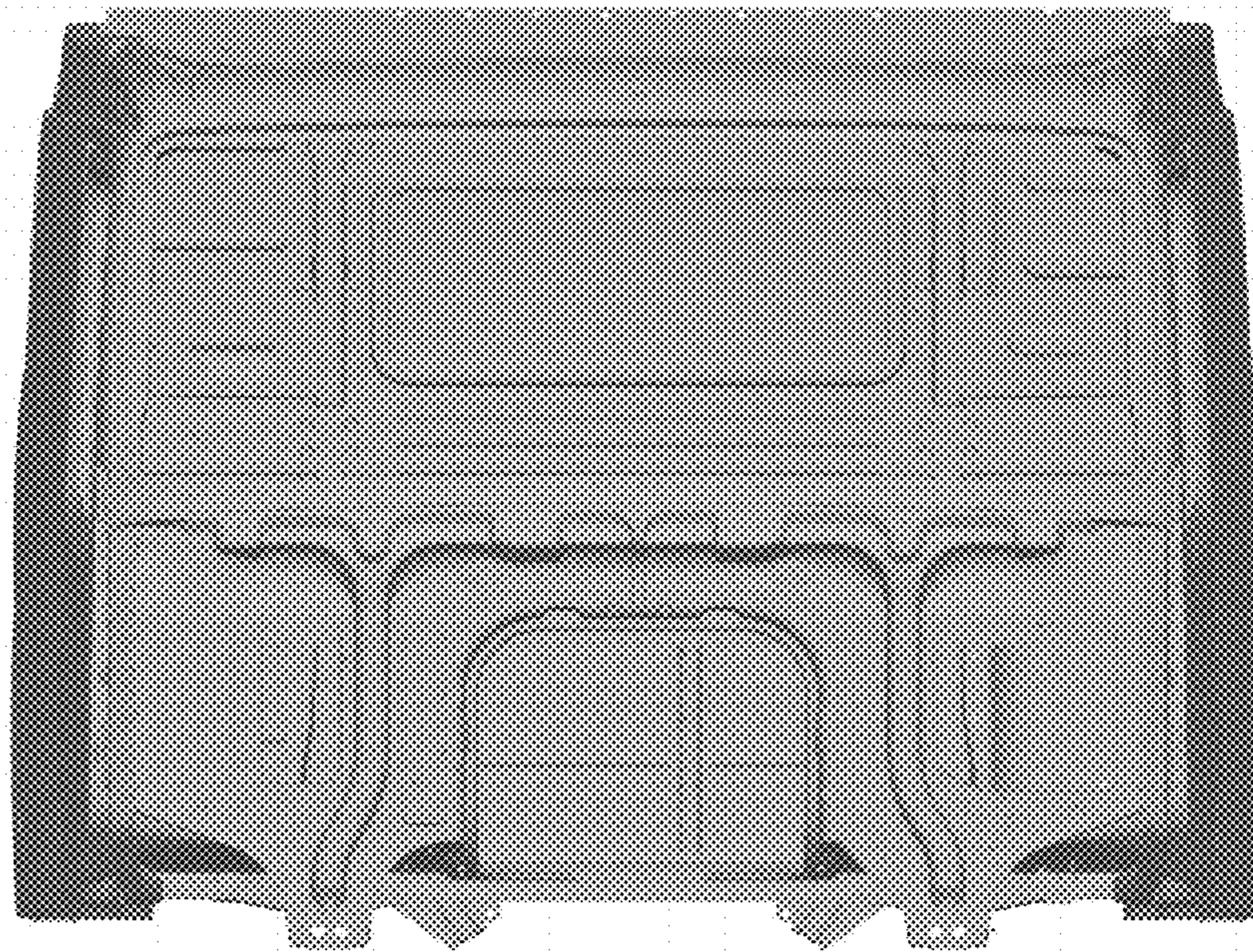


FIG. 2

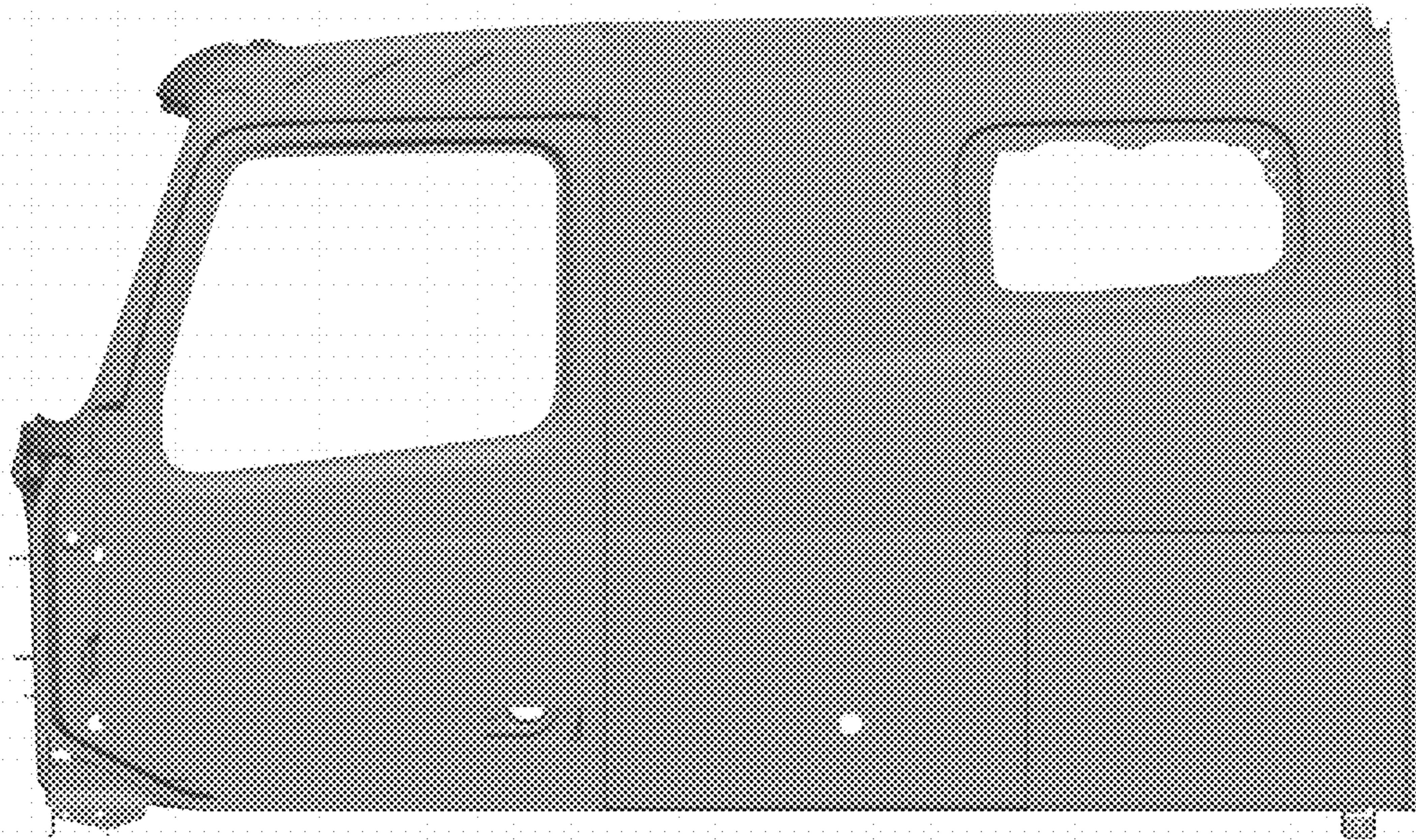


FIG. 3

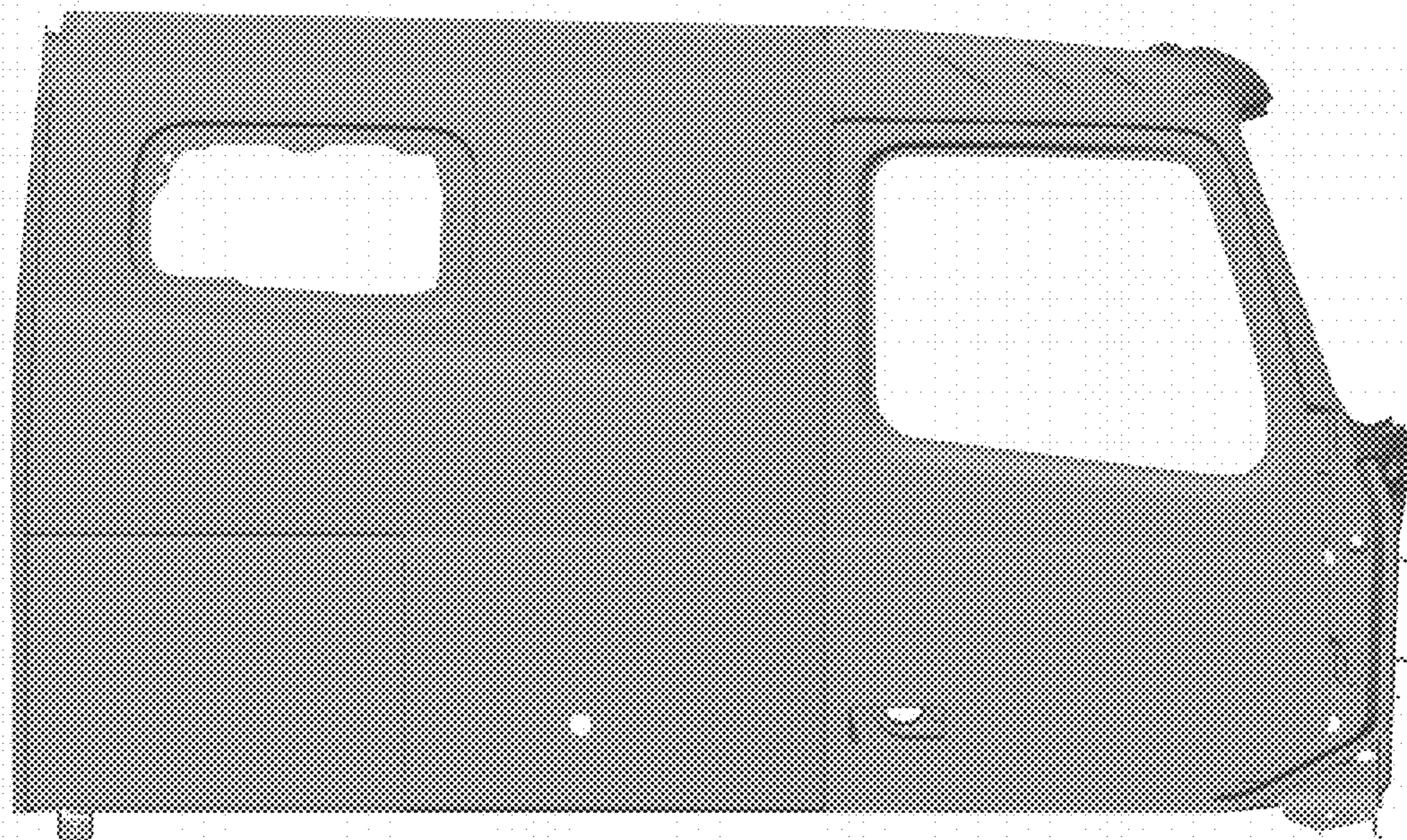


FIG. 4



FIG. 5