



US00D817228S

(12) **United States Design Patent**
Kroll et al.

(10) **Patent No.:** **US D817,228 S**
(45) **Date of Patent:** **** May 8, 2018**

- (54) **REVERSE TRIKE VEHICLE**
- (71) Applicant: **ElectraMeccanica Vehicles Corp.,**
Vancouver (CA)
- (72) Inventors: **Jerry Kroll, Vancouver (CA); Robert M. King, Rancho Cucamonga, CA (US); Henry R. Reisner, North Vancouver (CA); Edward R. Theobald, Surrey (CA); Richard W. Hoyle, Clarkston, MI (US); Rodney J. Trenne, Shelby Township, MI (US)**
- (73) Assignee: **ELECTRAMECCANICA VEHICLES CORP, Vancouver (CA)**
- (**) Term: **15 Years**
- (21) Appl. No.: **29/563,851**
- (22) Filed: **May 9, 2016**
- (51) **LOC (11) Cl.** **12-08**
- (52) **U.S. Cl.**
USPC **D12/85**
- (58) **Field of Classification Search**
USPC D12/85, 86, 107, 131; D21/424, 433, D21/434
CPC B62D 21/11; B62D 29/043; B62D 31/00; B62D 49/00; B62D 61/065; B62L 3/00; B62K 3/005; B62K 5/01; B62K 5/08; B62K 5/027
See application file for complete search history.

- 6,015,022 A * 1/2000 Thuliez B62D 21/04 180/210
- D424,979 S * 5/2000 Hanagan D12/85
- D427,548 S * 7/2000 Sacco D12/85
- D449,018 S * 10/2001 Musser D12/85
- 6,464,030 B1 10/2002 Hanagan et al.
- D469,037 S * 1/2003 Hanagan D12/85
- 6,883,629 B2 4/2005 Hanagan

(Continued)

FOREIGN PATENT DOCUMENTS

- EP 001927823-0001 10/2011
- JP 1486018 12/2013

OTHER PUBLICATIONS

Mono Magazine, JPO Design No. HA18020563, vol. 25, No. 16 (Sep. 16, 2006), p. 32.

(Continued)

Primary Examiner — Darlington Ly

(74) *Attorney, Agent, or Firm* — Davis Wright Tremaine LLP; Heather M. Colburn

(57) **CLAIM**

The ornamental design for a reverse trike vehicle, as shown and described.

DESCRIPTION

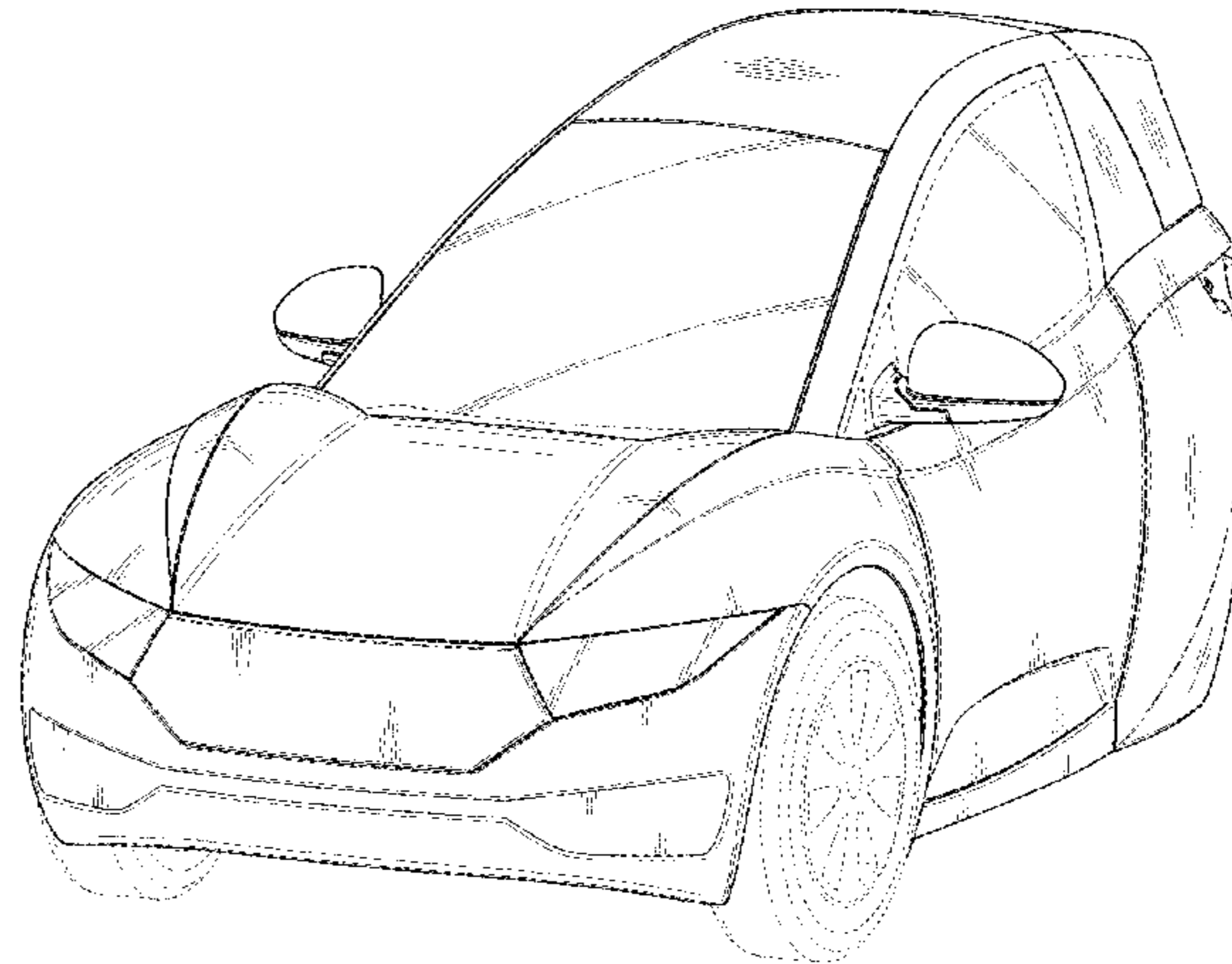
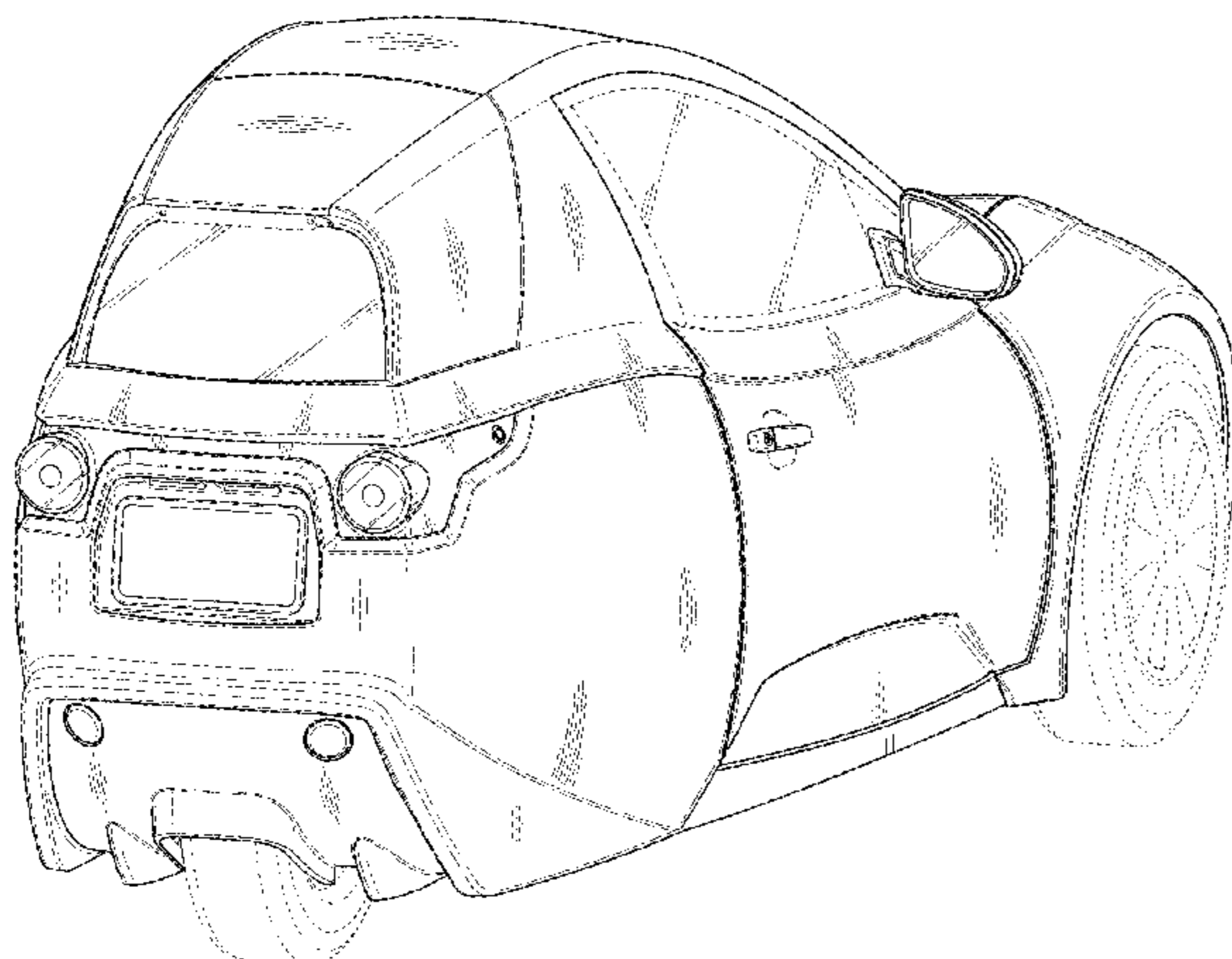
FIG. 1 is a rear perspective view of a reverse trike vehicle showing our new design;
 FIG. 2 is a front perspective view thereof;
 FIG. 3 is a right side elevational view thereof;
 FIG. 4 is a left side elevational view thereof;
 FIG. 5 is a front elevational view thereof;
 FIG. 6 is a rear elevational view thereof; and,
 FIG. 7 is a top plan view thereof.

The broken lines in the drawings illustrate portions of the reverse trike vehicle that do not form part of the claimed design.

1 Claim, 7 Drawing Sheets

(56) **References Cited**
U.S. PATENT DOCUMENTS

- D260,871 S * 9/1981 Cargile D12/85
- 4,573,546 A * 3/1986 Irimajiri B62D 61/065 180/211
- 4,703,824 A * 11/1987 Irimajiri B62D 61/065 180/210
- D404,688 S * 1/1999 Hanagan D12/85
- 5,960,901 A 10/1999 Hanagan



(56)

References Cited

U.S. PATENT DOCUMENTS

| | | | | | | |
|--------------|----|---|---------|---------|-------|----------------------|
| D584,188 | S | * | 1/2009 | Jenkins | | D12/85 |
| D589,844 | S | * | 4/2009 | Aube | | D12/85 |
| D592,547 | S | * | 5/2009 | Riley | | D12/85 |
| D592,548 | S | * | 5/2009 | Aube | | D12/85 |
| D613,203 | S | * | 4/2010 | Geslin | | D12/85 |
| D626,032 | S | * | 10/2010 | Starr | | D12/85 |
| D633,821 | S | * | 3/2011 | Hill | | D12/85 |
| D666,127 | S | * | 8/2012 | Nam | | D12/85 |
| D678,124 | S | * | 3/2013 | Canni | | D12/85 |
| D682,158 | S | * | 5/2013 | Canni | | D12/85 |
| 2012/0241239 | A1 | * | 9/2012 | Holroyd | | B62K 5/05 180/210 |

OTHER PUBLICATIONS

http://www.sgcarmart.com/news/events_features.php?AID=2568—sgCarMart.com “Corbin Sparrow is looking for a new owner”, Jun. 4, 2012.
http://www.greencarreports.com/news/1073489_corbin-tries-to-resurrect-sparrow-electric-car-would-anyone-care-Green Car Reports “Corbin Trues to Resurrect Sparrow Electric Car. Would Anyone Care?”, Feb. 28, 2012.

* cited by examiner

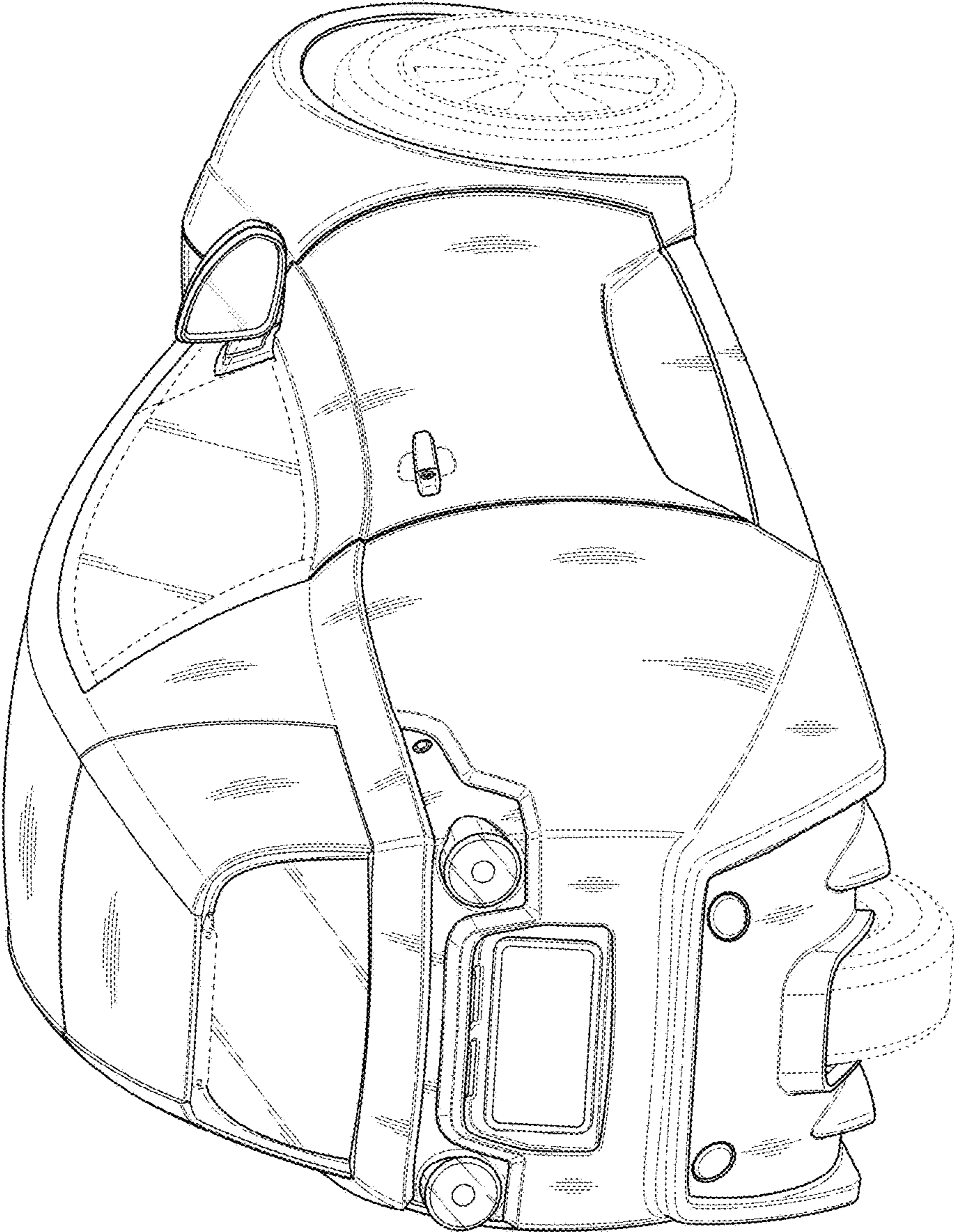


FIG. 1

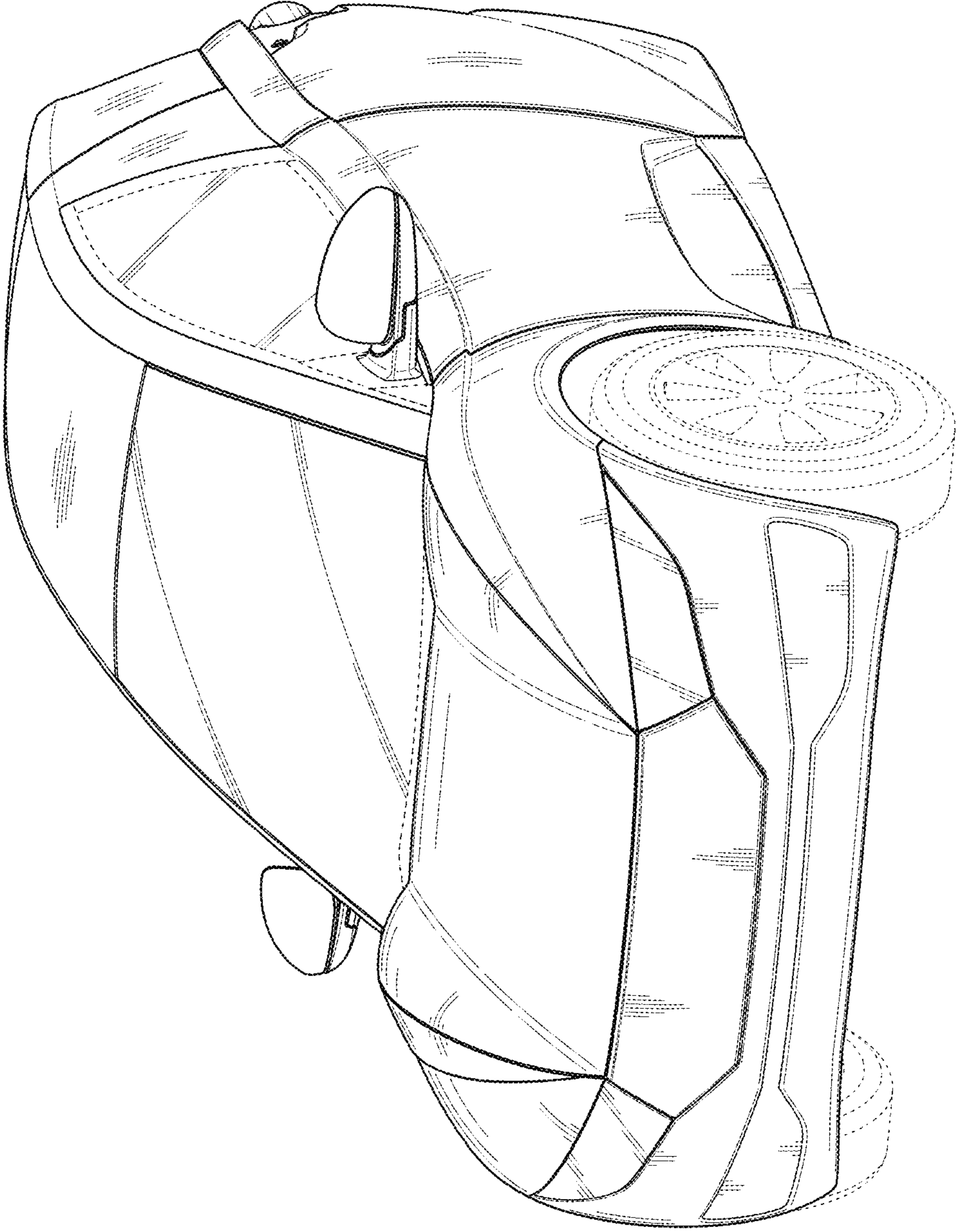


FIG. 2

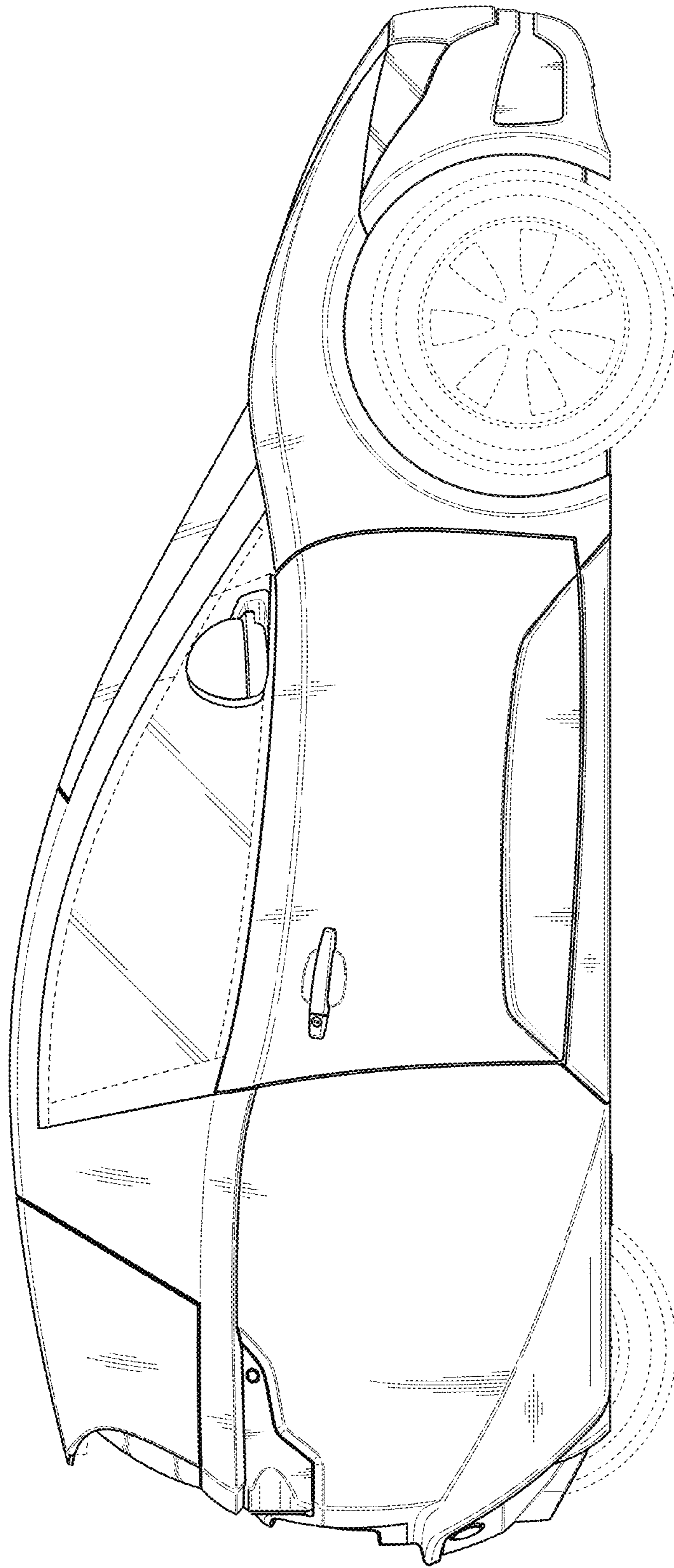


FIG. 3

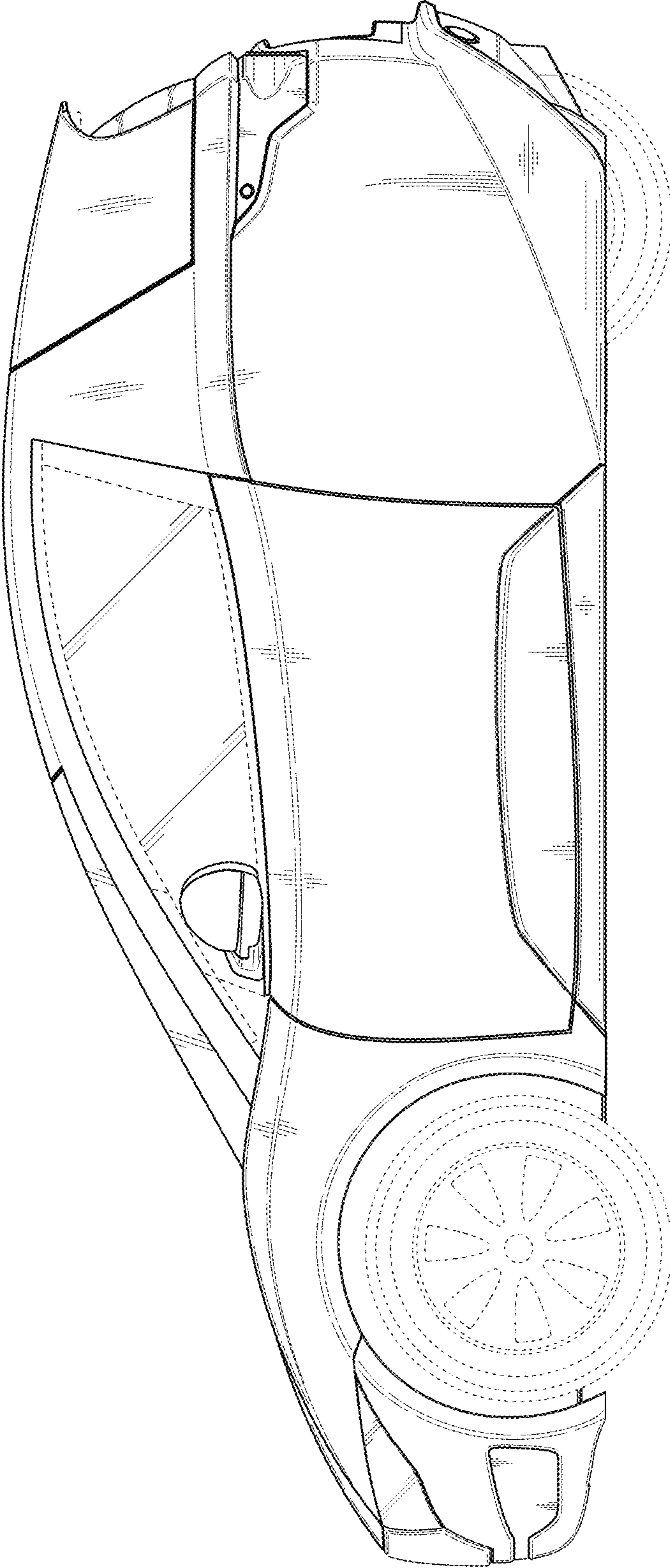


FIG. 4

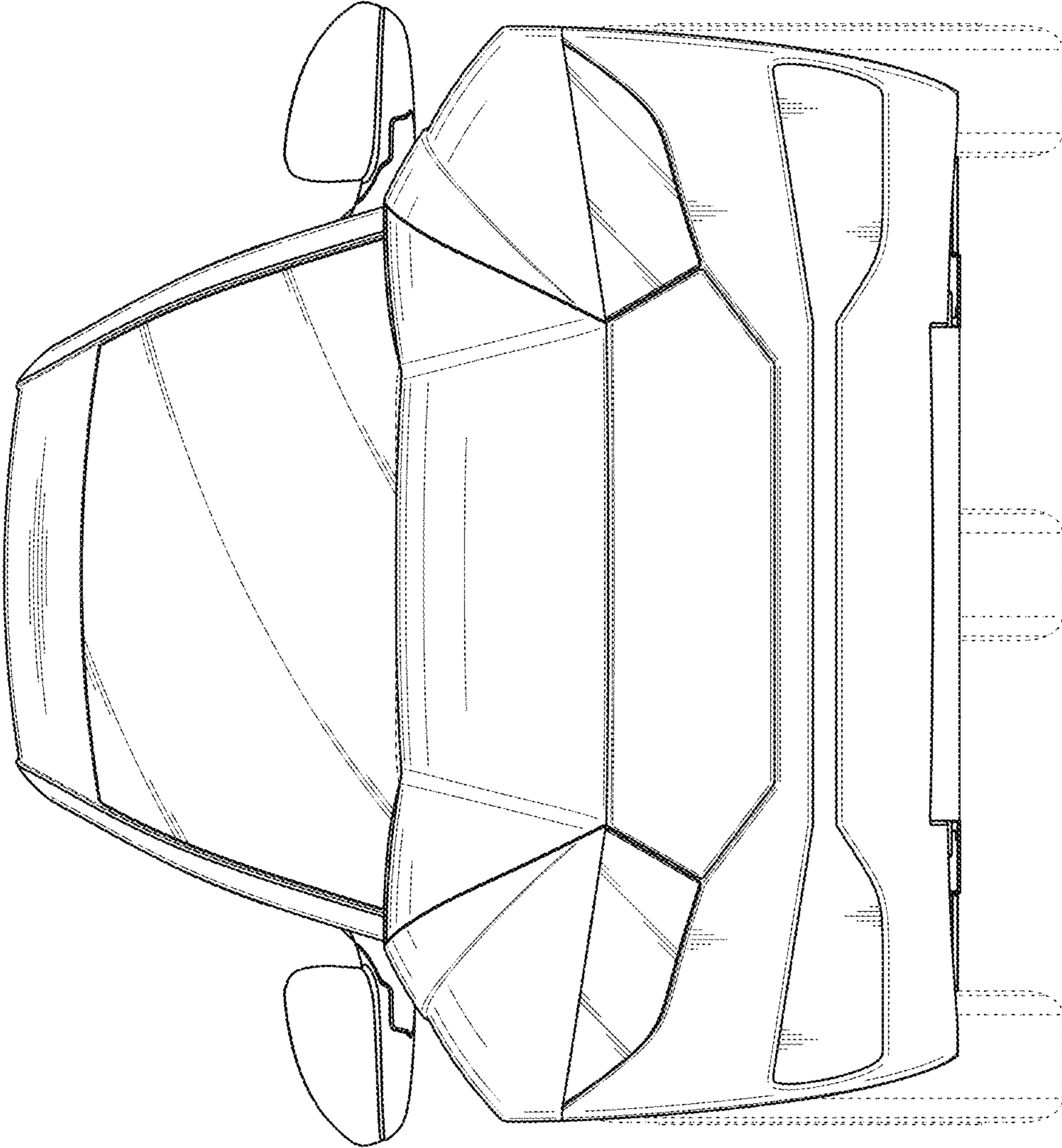


FIG. 5

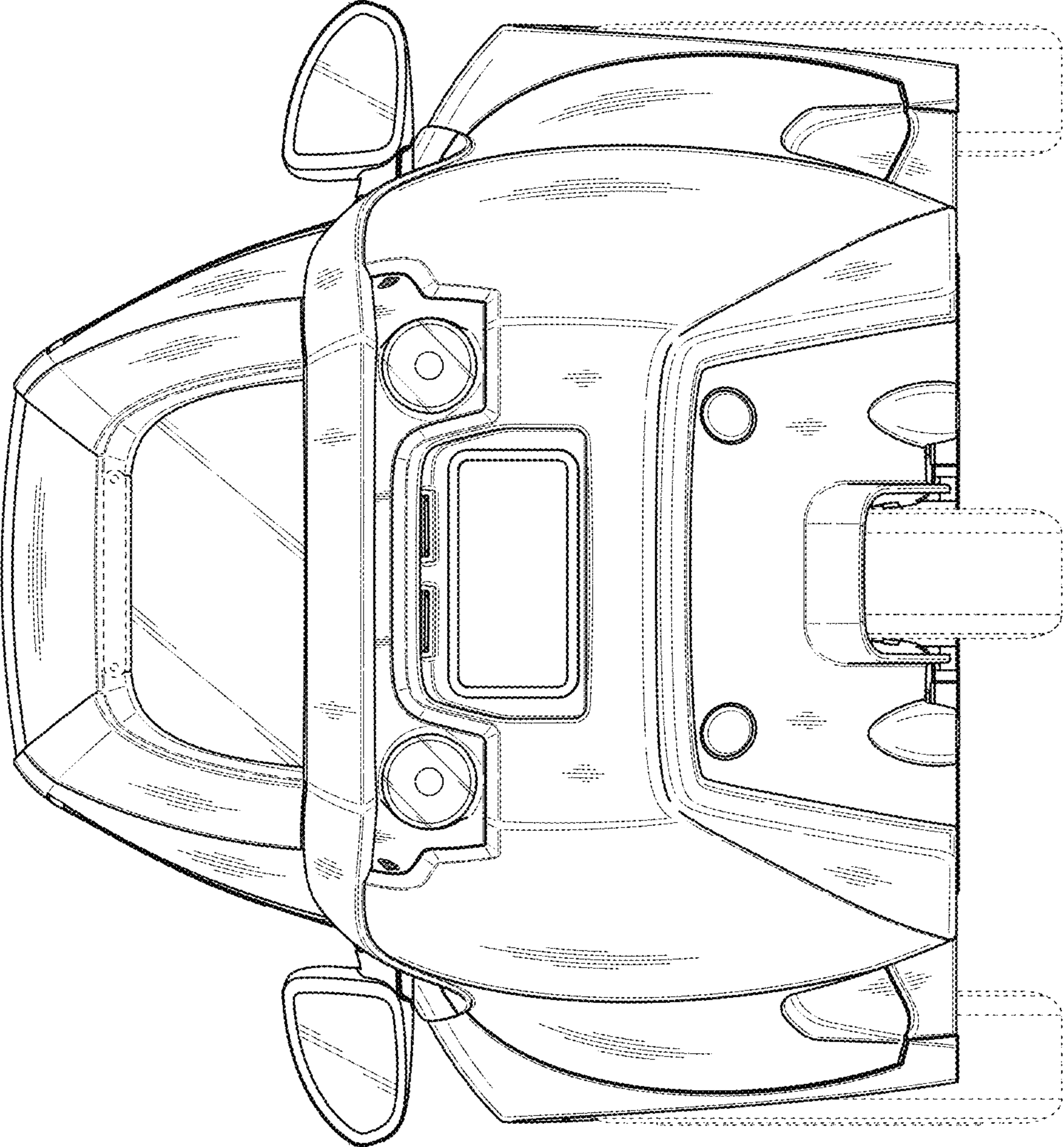


FIG. 6

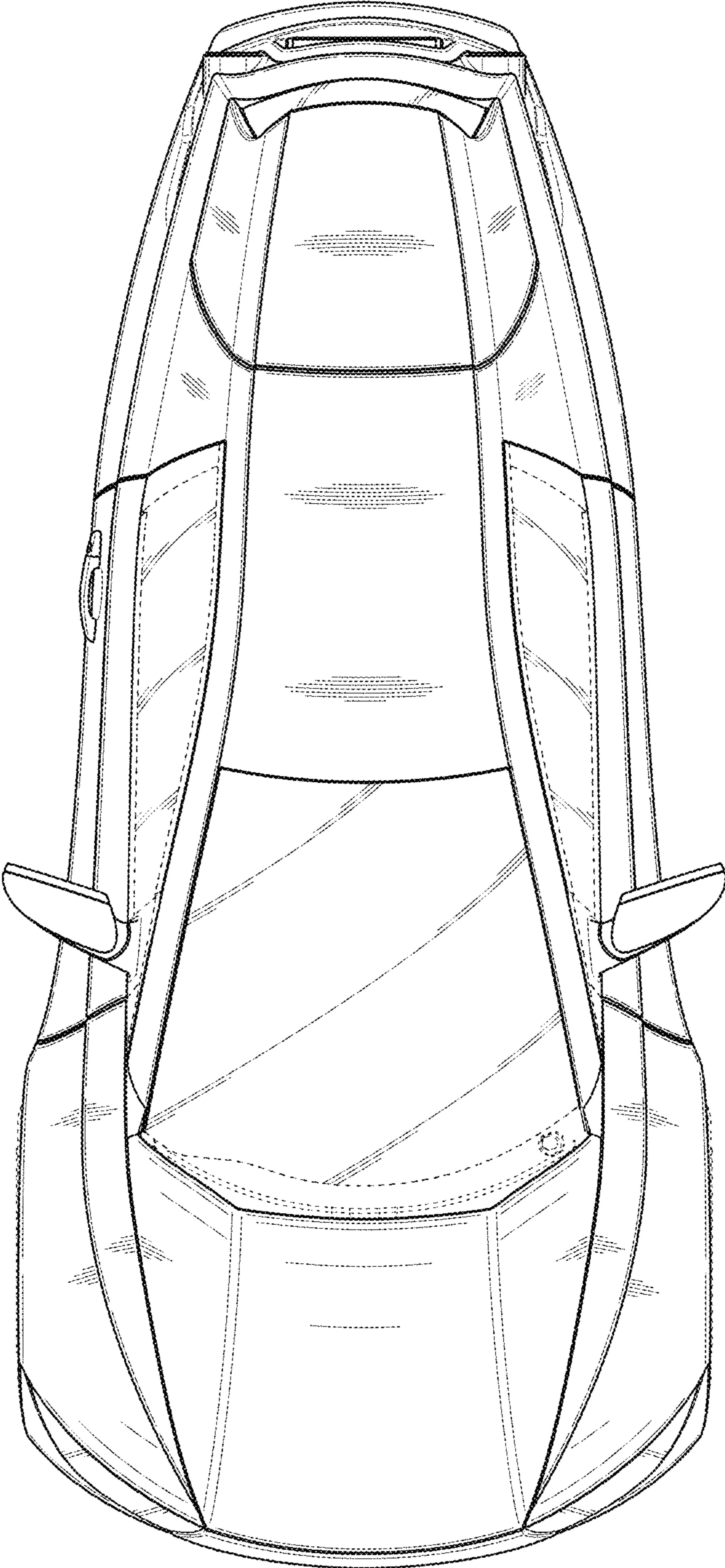


FIG. 7