



US00D817227S

(12) **United States Design Patent**
Yijun

(10) **Patent No.:** **US D817,227 S**

(45) **Date of Patent:** **** May 8, 2018**

(54) **CUFF LINK**

(71) Applicant: **Cartier International AG**, Steinhausen (CH)

(72) Inventor: **Song Yijun**, Paris (FR)

(73) Assignee: **Cartier International AG**, Steinhausen (CH)

(**) Term: **15 Years**

(21) Appl. No.: **29/571,083**

(22) Filed: **Jul. 14, 2016**

(30) **Foreign Application Priority Data**

Jan. 18, 2016 (WO) 951483001

(51) **LOC (11) Cl.** **02-07**

(52) **U.S. Cl.**
USPC **D11/222**

(58) **Field of Classification Search**
USPC D11/200–217, 222–230, 30, 3, 4, 26, 27,
D11/40; 24/102 E, 102 FC, 102 P,
24/102 PL, 102 R, 102 SL, 109–110,
24/114.11, 90.5, 97; 63/3.1, 20, 29.1, 40
CPC A41F 17/00; A43B 1/0036; A44B 1/00;
A44B 1/123; A44B 1/14; A44C 13/00
See application file for complete search history.

(56) **References Cited**

U.S. PATENT DOCUMENTS

D111,057 S * 8/1938 Anderson D11/213
2,149,132 A * 2/1939 Carison A44B 5/002
24/102 PL

D140,726 S * 4/1945 Collura D11/226
3,813,732 A * 6/1974 Seavey A44B 5/002
24/102 PL
D351,815 S * 10/1994 Bennett D11/222
D415,068 S * 10/1999 Calvani D11/222
D479,488 S * 9/2003 Stewart-Stand D11/226
D561,643 S * 2/2008 Bruni D11/222
D565,462 S * 4/2008 Stewart-Stand D11/222
D670,594 S * 11/2012 Yu D11/30
D708,548 S * 7/2014 Lasserre D11/222
D726,590 S * 4/2015 Riviere D11/222
D729,690 S * 5/2015 Riviere D11/222
D761,158 S * 7/2016 Riviere D11/222

* cited by examiner

Primary Examiner — Ian Simmons

Assistant Examiner — Mark Cavanna

(74) *Attorney, Agent, or Firm* — Taft Stettinius & Hollister LLP

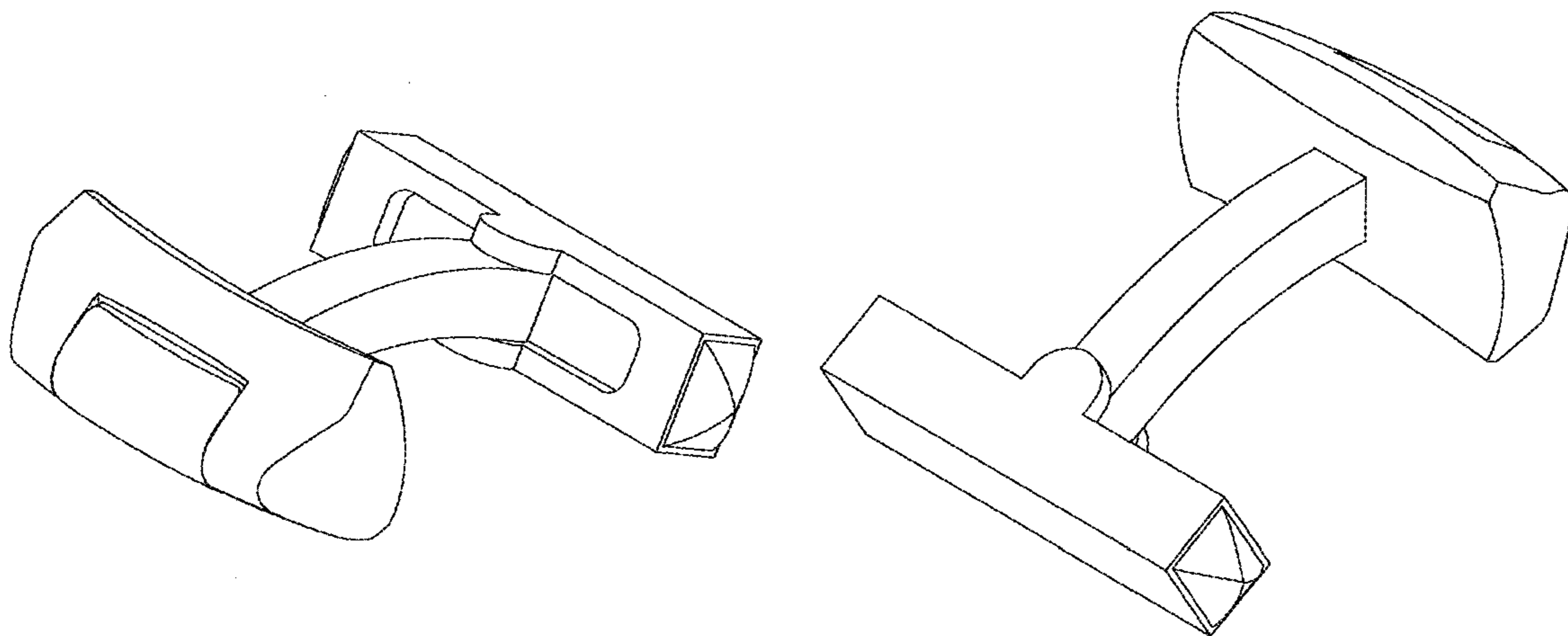
(57) **CLAIM**

The ornamental design for a cuff link, as shown and described.

DESCRIPTION

FIG. 1 is a front elevational view of a cuff link showing my new design;
FIG. 2 is a rear elevational view thereof;
FIG. 3 is a right side elevational view thereof;
FIG. 4 is a left side elevational view thereof;
FIG. 5 is a top plan view thereof;
FIG. 6 is a bottom plan view thereof;
FIG. 7 is a front, right perspective view thereof; and,
FIG. 8 is a rear, left perspective view thereof.

1 Claim, 1 Drawing Sheet



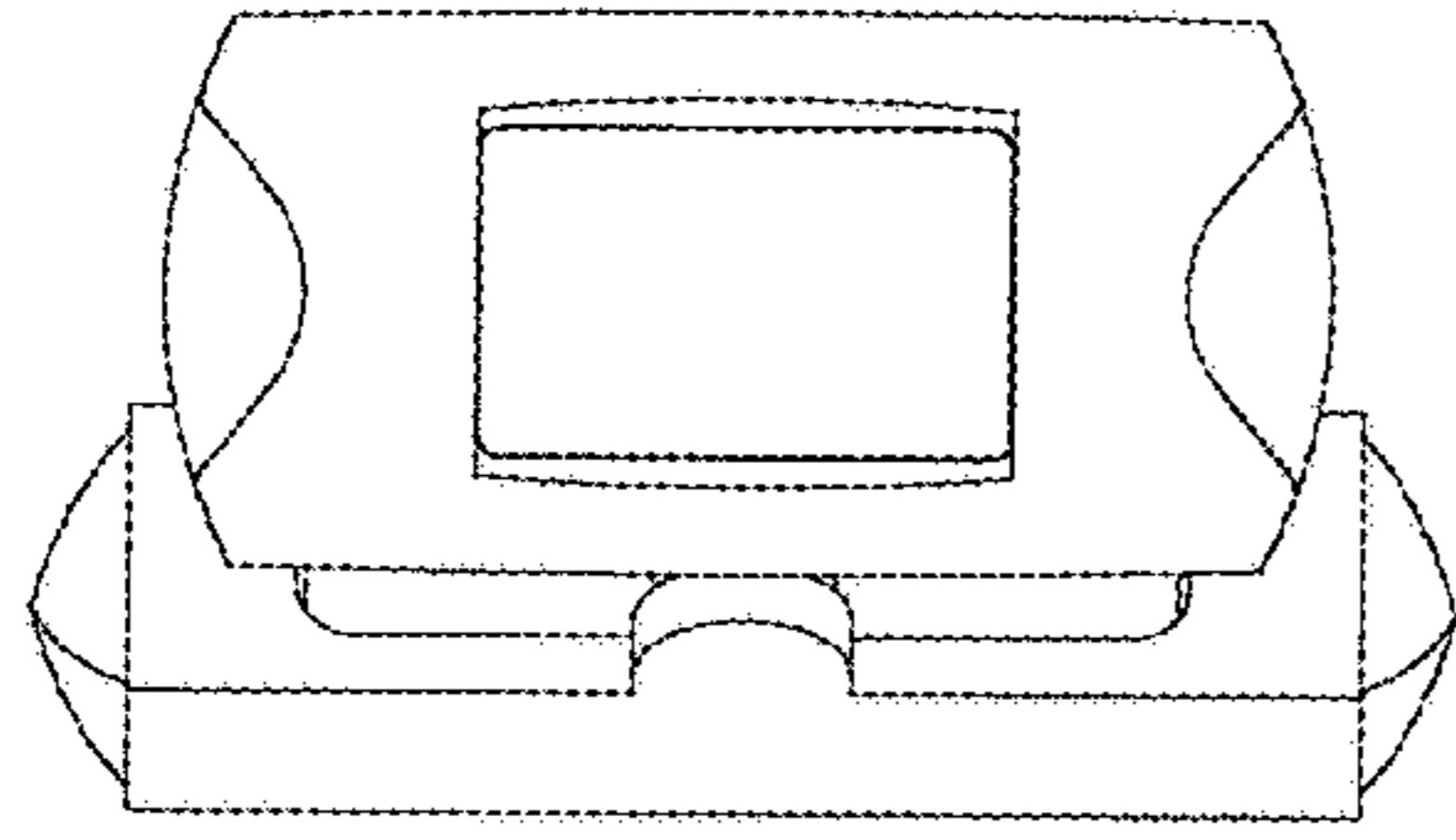


Fig. 1

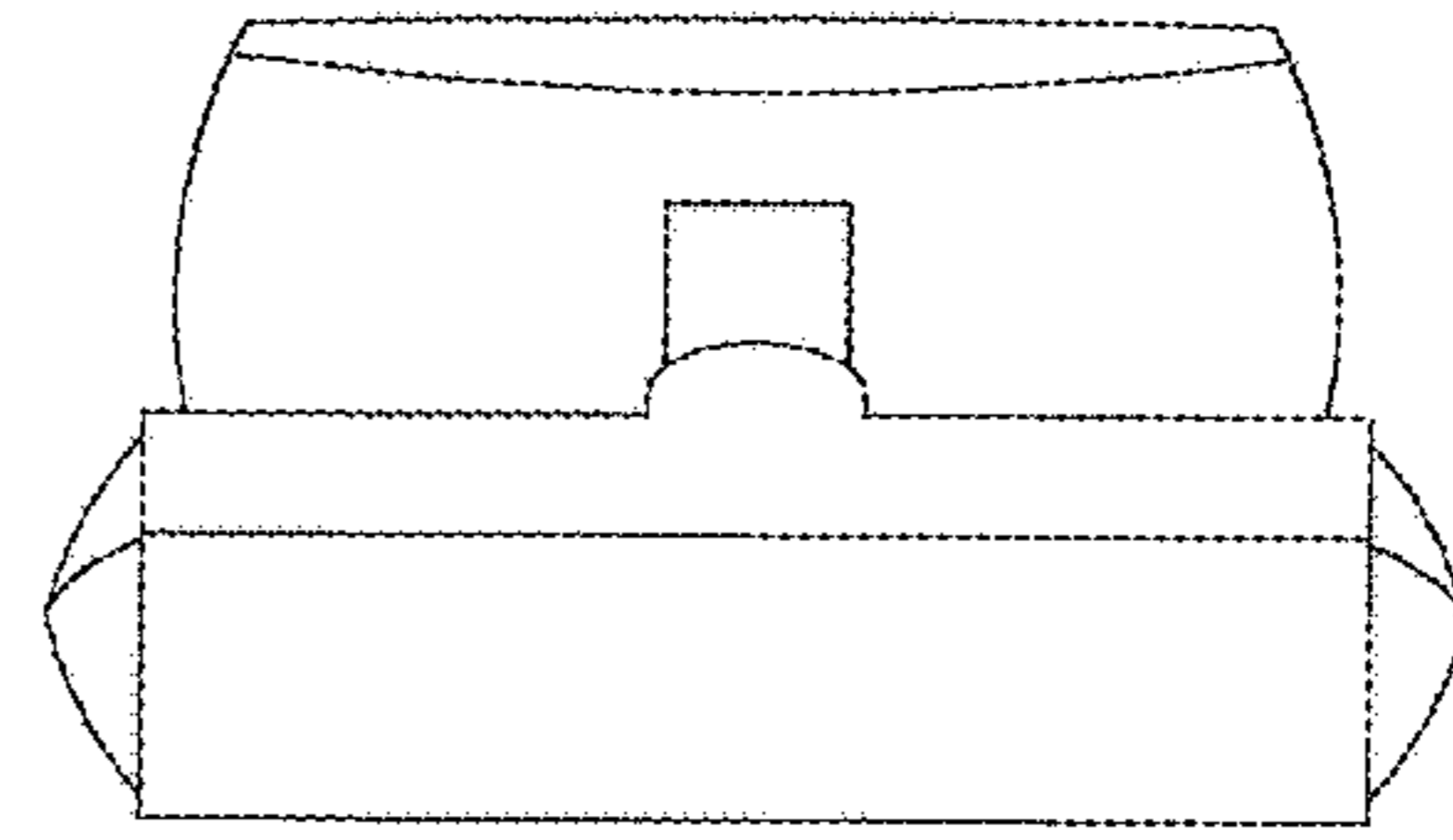


Fig. 2

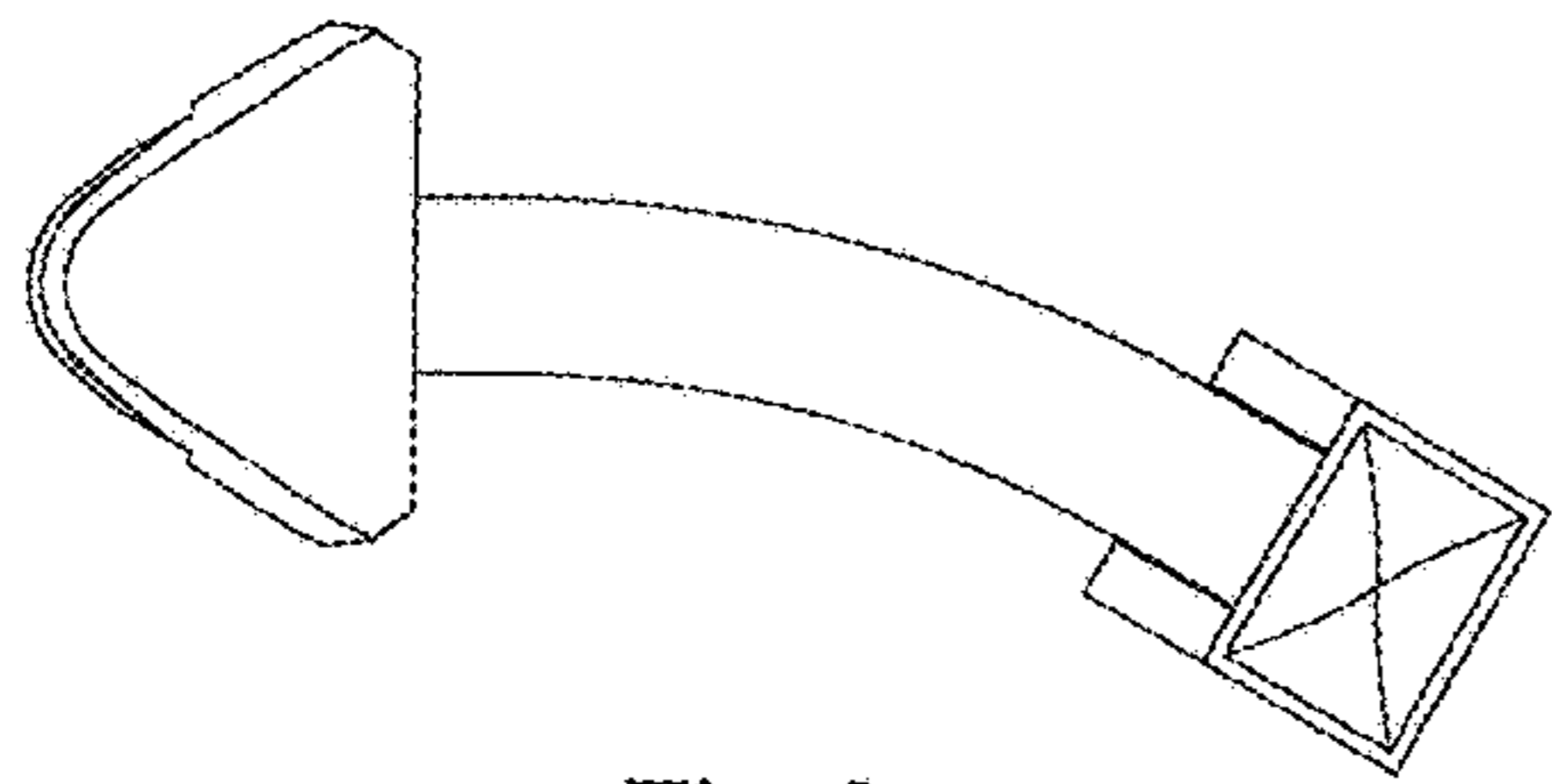


Fig. 3

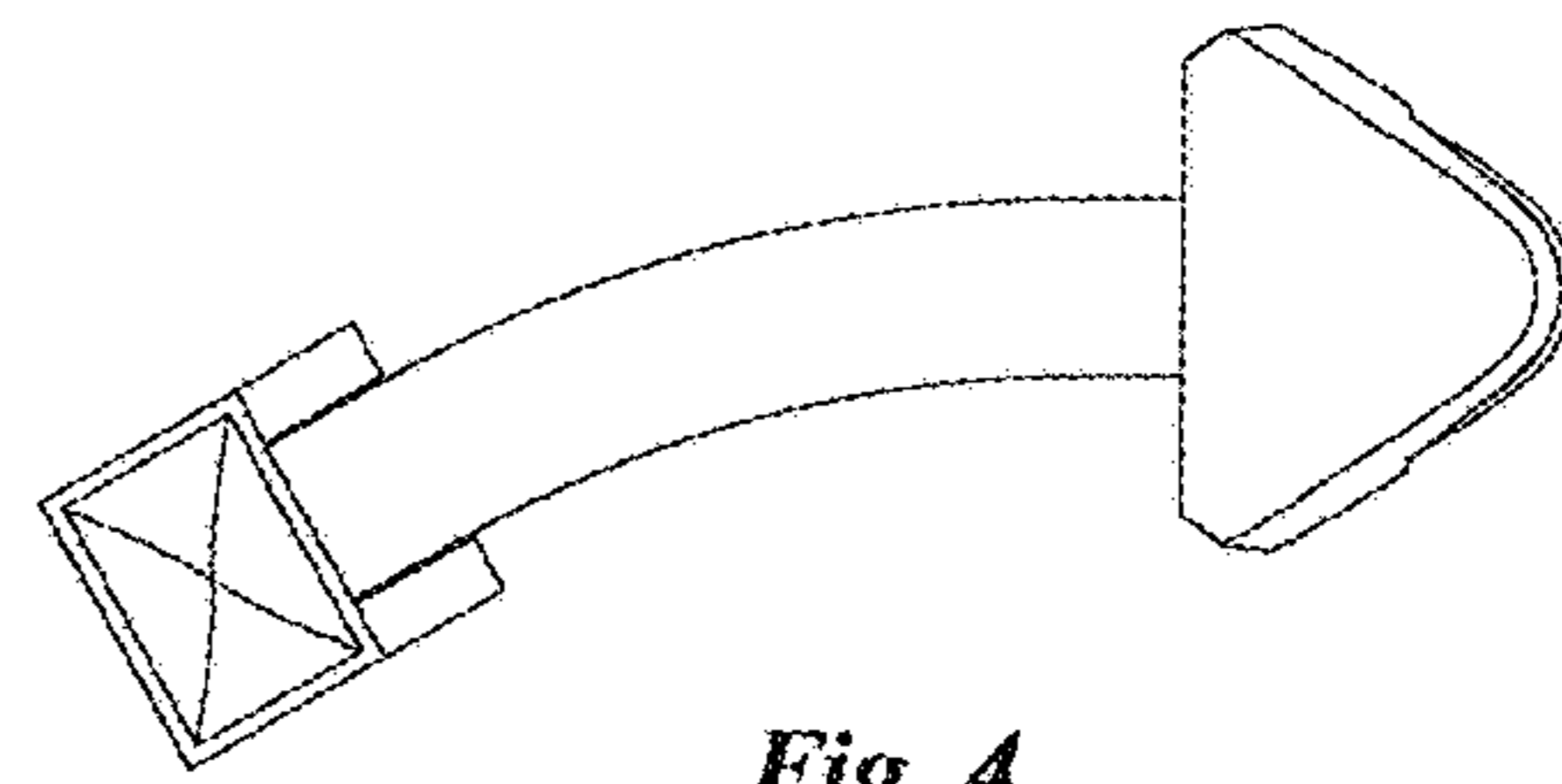


Fig. 4

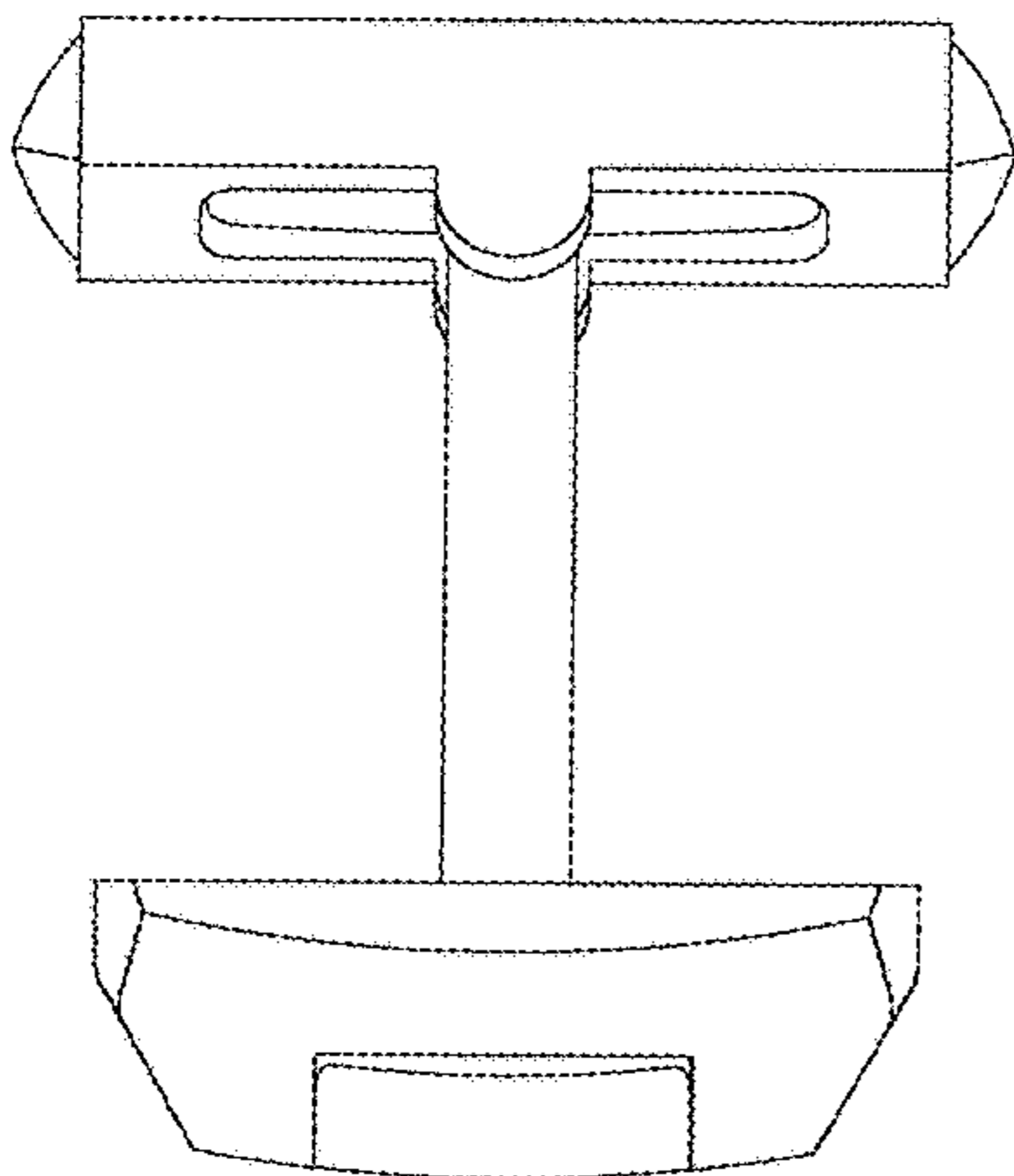


Fig. 5

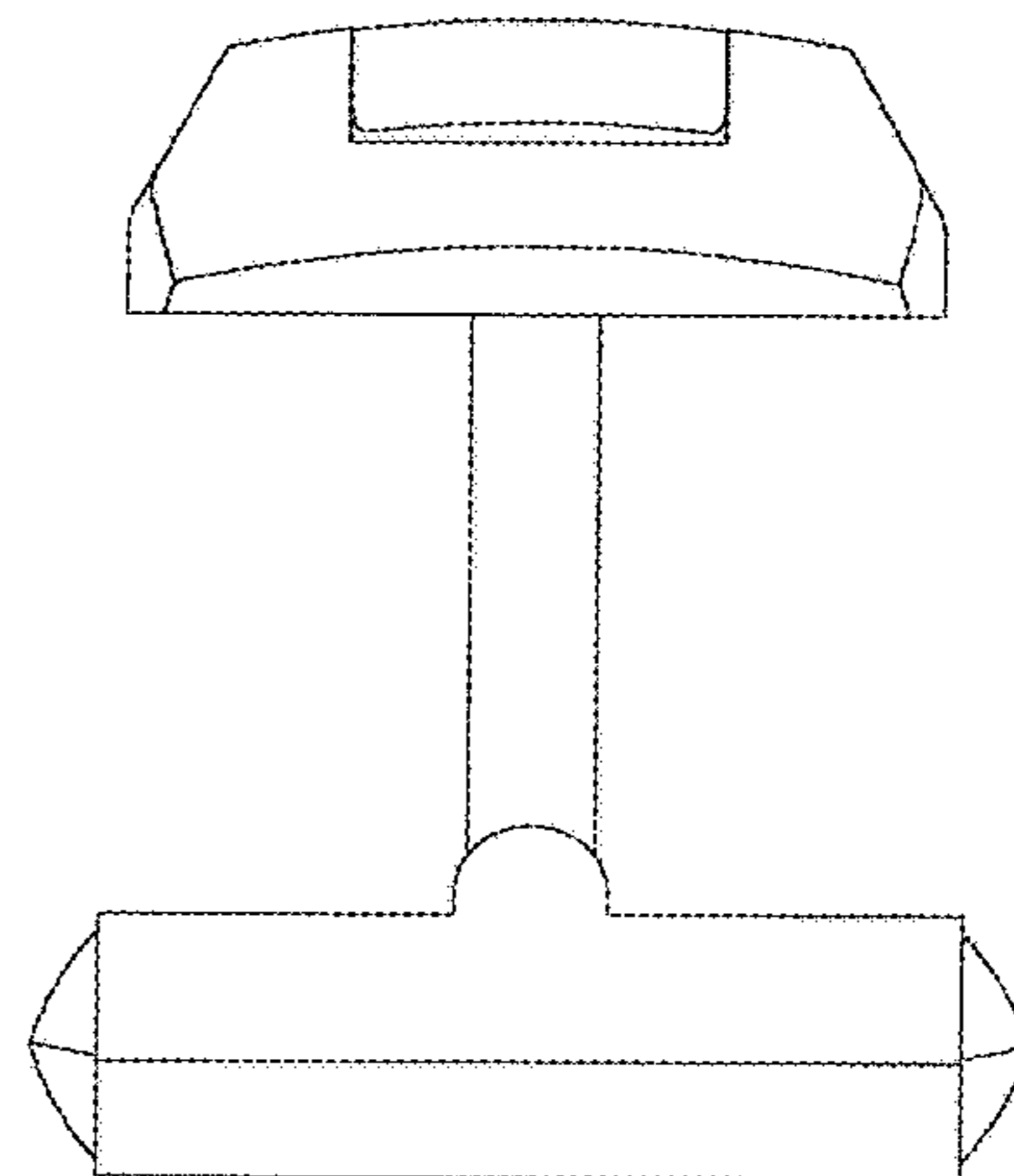


Fig. 6

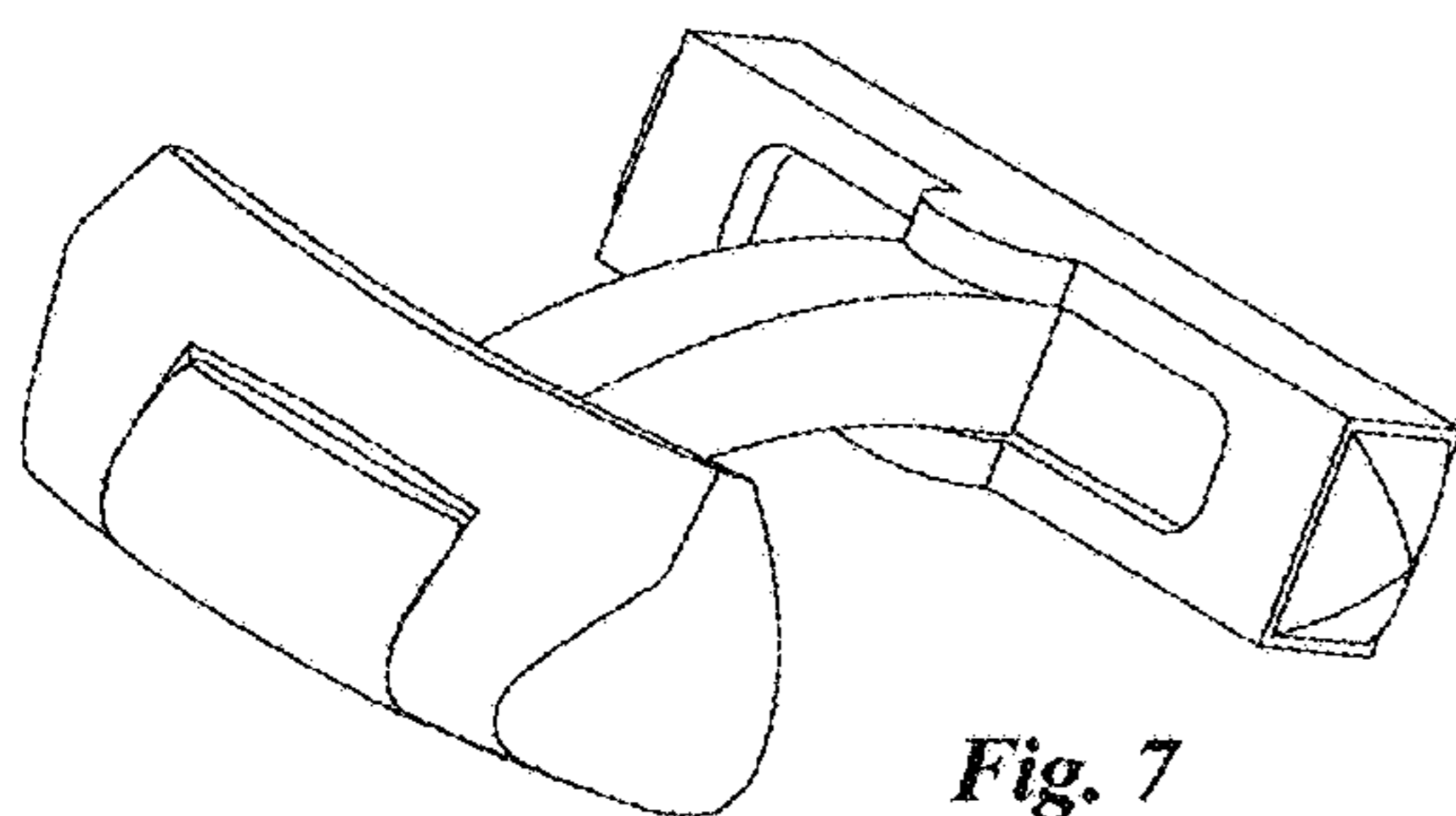


Fig. 7

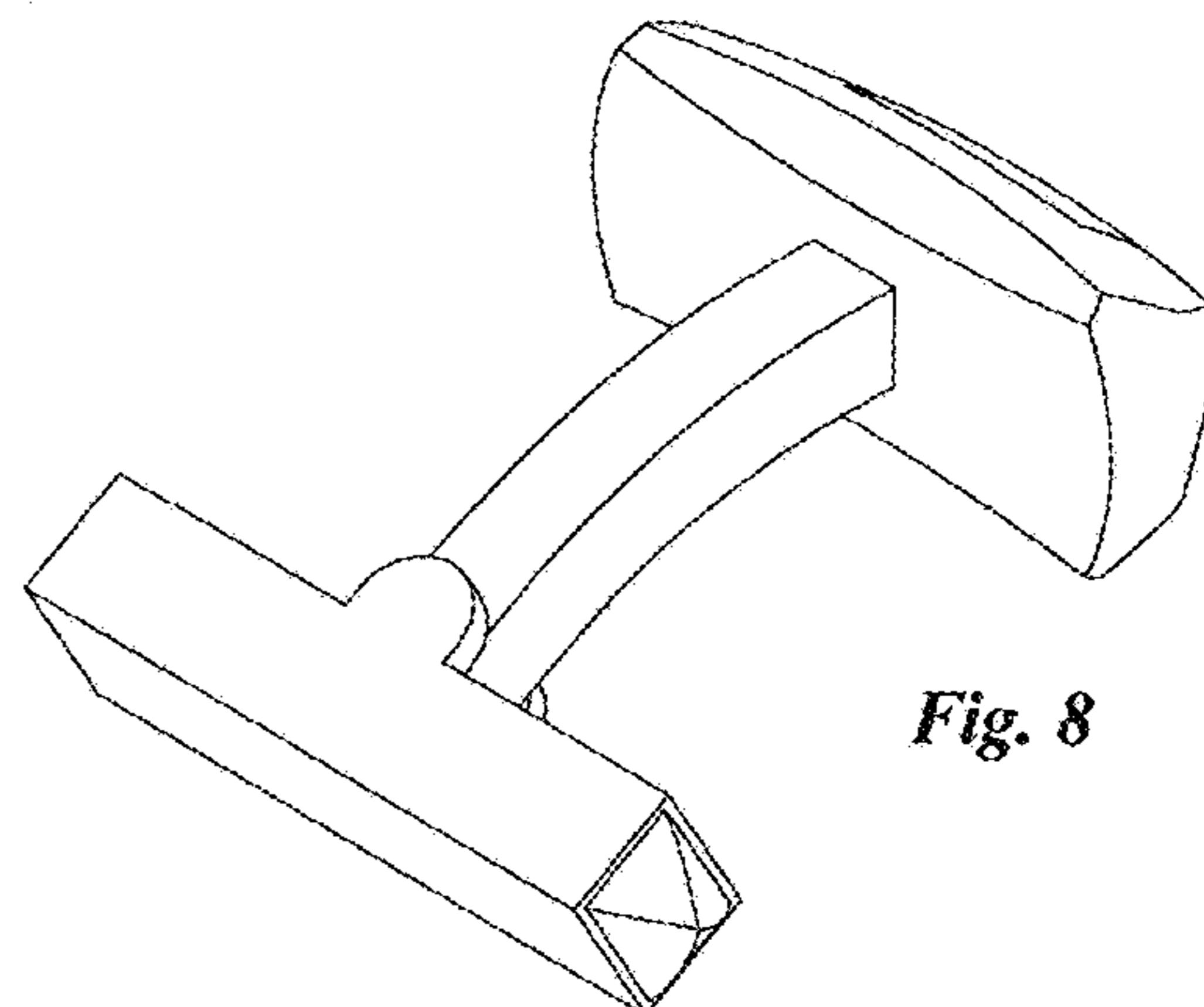


Fig. 8