



US00D817225S

(12) **United States Design Patent**
Ressler

(10) **Patent No.:** **US D817,225 S**

(45) **Date of Patent:** **** May 8, 2018**

(54) **WEBBING FASTENER**

(71) Applicant: **Dutch Clips LLC**, Reinholds, PA (US)

(72) Inventor: **Thomas Ressler**, Reinholds, PA (US)

(73) Assignee: **Dutch Clips LLC**, Reinholds, PA (US)

(**) Term: **15 Years**

(21) Appl. No.: **29/575,930**

(22) Filed: **Aug. 30, 2016**

(51) **LOC (11) Cl.** **02-07**

(52) **U.S. Cl.**

USPC **D11/218**

(58) **Field of Classification Search**

USPC D11/1-2, 200-201, 206-210, 214-219;
24/163 R, 169-171, 173, 177-179, 191,
24/194-195, 197, 198, 200, 614-616,
24/625, 630, 578.11, 578.1, 163 K, 114;
D8/349, 395, 356

CPC A44B 11/06; A44B 11/26; A44B 11/25;
A41F 11/04

See application file for complete search history.

(56) **References Cited**

U.S. PATENT DOCUMENTS

D56,993 S	1/1921	Robinson	
1,392,256 A *	9/1921	MacArthur	B68B 3/20 54/52
1,512,087 A *	10/1924	Fish	A44B 11/24 24/188
1,611,588 A *	12/1926	Hyde	A44B 11/10 24/171
1,803,214 A	4/1931	Siegel	
2,186,574 A *	1/1940	Chadirjian	A44B 11/02 24/163 FC
2,268,738 A *	1/1942	Chenette	A44B 11/065 24/199
2,459,223 A *	1/1949	Henderson	B64D 17/32 24/645

2,538,641 A *	1/1951	Elsner	A44B 11/06 24/133
2,539,272 A *	1/1951	Richman	A41F 3/02 24/265 R
2,648,112 A *	8/1953	Neumann	A44B 11/04 24/168

(Continued)

OTHER PUBLICATIONS

Spiders Complete Suspension, DutchWareGear.com, [online], [site visited Sep. 26, 2017]. <URL: <https://dutchwaregear.com/spiders-complete.html>> (Year: 2017).*

(Continued)

Primary Examiner — T. Chase Nelson

Assistant Examiner — Jonathan J. Han

(74) *Attorney, Agent, or Firm* — Barley Snyder

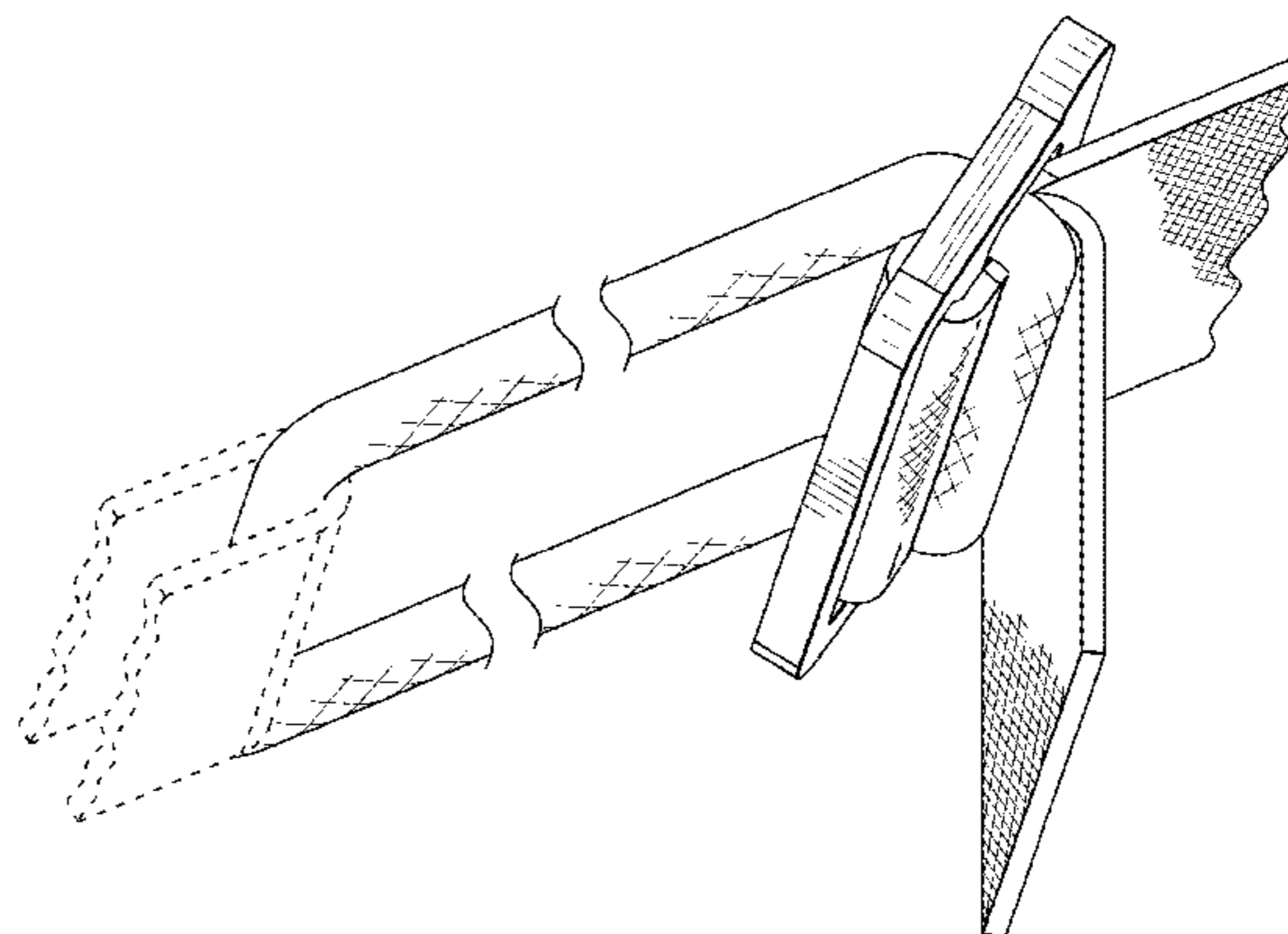
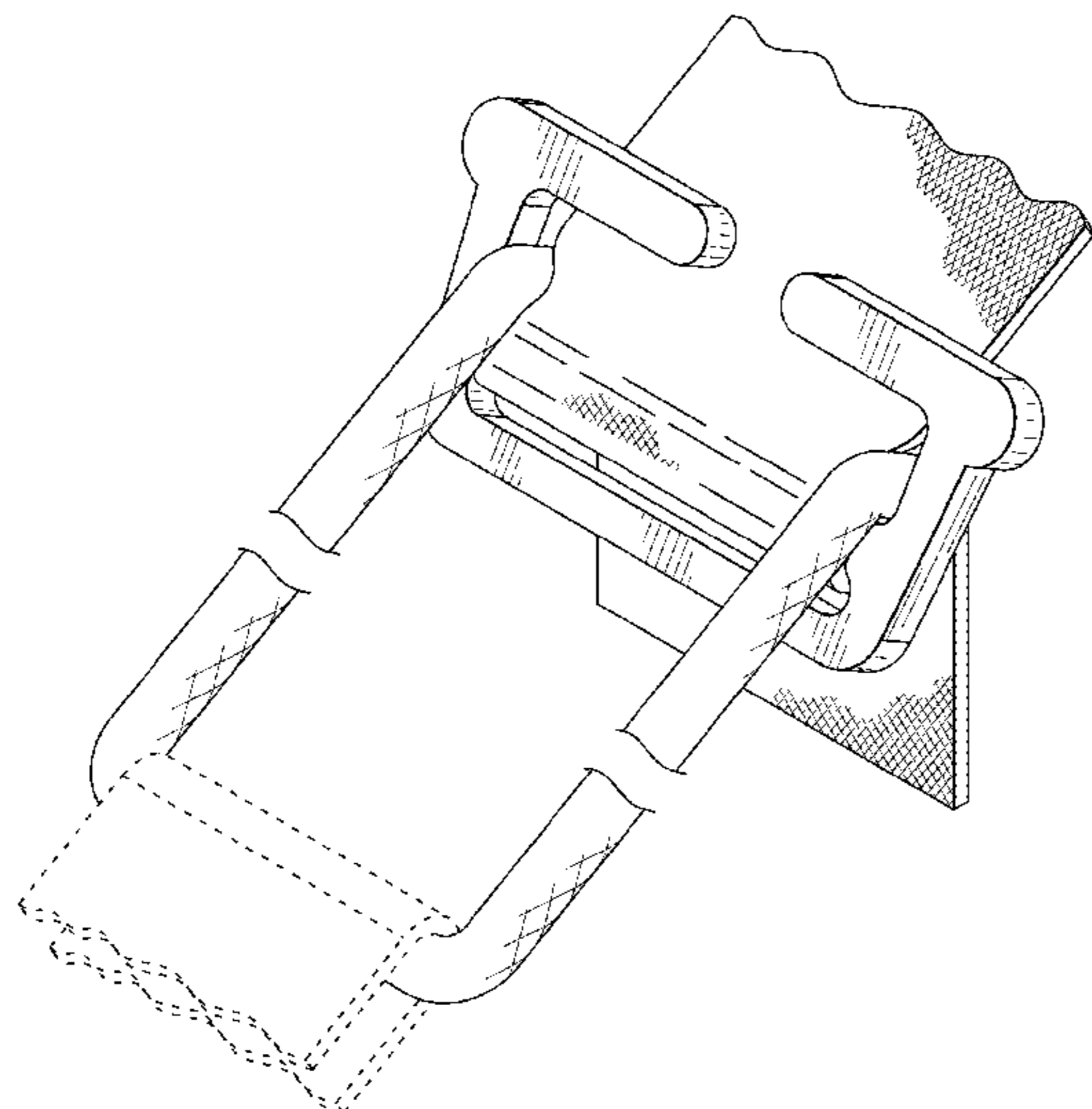
(57) **CLAIM**

The ornamental design for a webbing fastener design, as shown and described.

DESCRIPTION

FIG. 1 is a front, top and right side perspective view of a webbing fastener;
FIG. 2 is a rear, bottom and right side perspective view of a webbing fastener;
FIG. 3 is a top plan view thereof;
FIG. 4 is a front elevation view thereof;
FIG. 5 is a rear elevation view thereof;
FIG. 6 is a bottom plan view thereof;
FIG. 7 is a left side elevation view thereof;
FIG. 8 is a right side elevation view thereof;
FIG. 9 is a rear, top and right side perspective view of the webbing fastener; and,
FIG. 10 is another front view of the webbing fastener.
Break lines are used in the drawings to indicate that any portions not shown between the paired break lines form no part of the claimed design.

1 Claim, 5 Drawing Sheets



(56)

References Cited

U.S. PATENT DOCUMENTS

2,663,062 A * 12/1953 Abel A44B 11/22
24/163 R
2,707,052 A 4/1955 Brown
2,750,643 A * 6/1956 Rubin A44B 11/24
24/164
2,770,204 A * 11/1956 Brownstein A41H 37/08
112/470.33
3,112,543 A * 12/1963 Derrickson A44B 11/02
24/16 R
3,169,291 A * 2/1965 Stacheri A44B 11/10
24/196
D201,776 S 7/1965 Woodard
3,574,246 A * 4/1971 Norton A44B 11/125
24/68 CD
3,624,674 A * 11/1971 Gaylord B64D 17/32
24/603
D234,946 S 4/1975 Fredriksson et al.
4,075,741 A * 2/1978 Barbel B60R 22/324
24/602
D247,693 S 4/1978 Lee
D269,389 S 6/1983 Wood
4,414,713 A * 11/1983 Prete, Jr. A44B 11/125
24/193
4,564,981 A * 1/1986 Knox A44B 11/125
24/193
D283,174 S * 4/1986 Prete, Jr. D11/218
5,063,641 A * 11/1991 Chuan A44B 11/18
24/197
D335,083 S 4/1993 Russell et al.
5,285,555 A * 2/1994 Bell A44B 11/10
24/171
D420,335 S 2/2000 Salas et al.
D423,914 S 5/2000 Klein et al.
D426,425 S 6/2000 Hermanski
D427,506 S 7/2000 Smith
D455,642 S 4/2002 Kelleghan
D478,738 S 8/2003 Workman
D533,362 S 12/2006 Giampavolo
D535,111 S 1/2007 Giampavolo
7,181,808 B1 * 2/2007 Van Winkle A44B 11/223
24/170
D540,153 S 4/2007 Tanaka et al.
D570,204 S 6/2008 Alfonso
7,383,597 B2 6/2008 Steiner
D578,383 S 10/2008 Adams
D592,508 S 5/2009 Perignon

D597,828 S 8/2009 Tanaka et al.
D605,417 S 12/2009 Warren et al.
D607,298 S 1/2010 Lucas
D608,189 S 1/2010 Jackson et al.
7,856,699 B2 12/2010 Sorensen et al.
D635,844 S 4/2011 Boothby
D649,792 S 12/2011 Nosworthy
D687,347 S 8/2013 Gillan
D690,191 S 9/2013 Takakuwa et al.
D694,613 S 12/2013 Miles
D696,576 S 12/2013 Ng
D727,204 S * 4/2015 Laatz D11/216
D730,772 S * 6/2015 Chang D11/234
D739,302 S 9/2015 Nilsen et al.
D749,461 S 2/2016 Wong
2005/0161653 A1 7/2005 Greer, Jr. et al.
2007/0114340 A1 5/2007 Adams
2008/0110000 A1 5/2008 Orr
2008/0189917 A1 * 8/2008 Maley A44B 11/28
24/197
2014/0166798 A1 6/2014 Davison
2014/0196209 A1 7/2014 Macaskill
2014/0325804 A1 * 11/2014 Hortnagl A44B 11/263
24/592.1
2015/0040356 A1 * 2/2015 Chang A44B 11/22
24/188
2015/0107002 A1 * 4/2015 Wang A41F 9/002
2/338
2015/0175050 A1 * 6/2015 Eenigenburg B60P 7/0838
24/69 CT
2015/0272281 A1 * 10/2015 Xiao A44B 11/16
297/468
2017/0065034 A1 * 3/2017 Tsai A44B 11/12
2017/0196314 A1 * 7/2017 Glick A44B 11/005

OTHER PUBLICATIONS

ITW 1" Alice Buckle/Strap Adjuster, Survival-Pax.com, [online], [site visited Sep. 26, 2017]. <URL: <https://www.survival-pax.com/ITW-1-Alice-Buckle-Strap-Adjuster.html>> (Year: 2017).*

Hook, FidLock.com, [online], [site visited Sep. 26, 2017]. <URL: <http://www.fidlock.com/en/fasteners/hook/25-alu.html>> (Year: 2017).*

300 pcs One Tigirs Tactical Grimlock 360 Rotatio D-ring, DHgate.com, [online], [site visited Sep. 26, 2017]. <URL: <https://www.dhgate.com/product/300-pcs-onetigris-tactical-grimlock-360-rotation/390909260.html#sd1-4-1b;rvw|1382205670>> (Year: 2017).*

* cited by examiner

FIG. 1

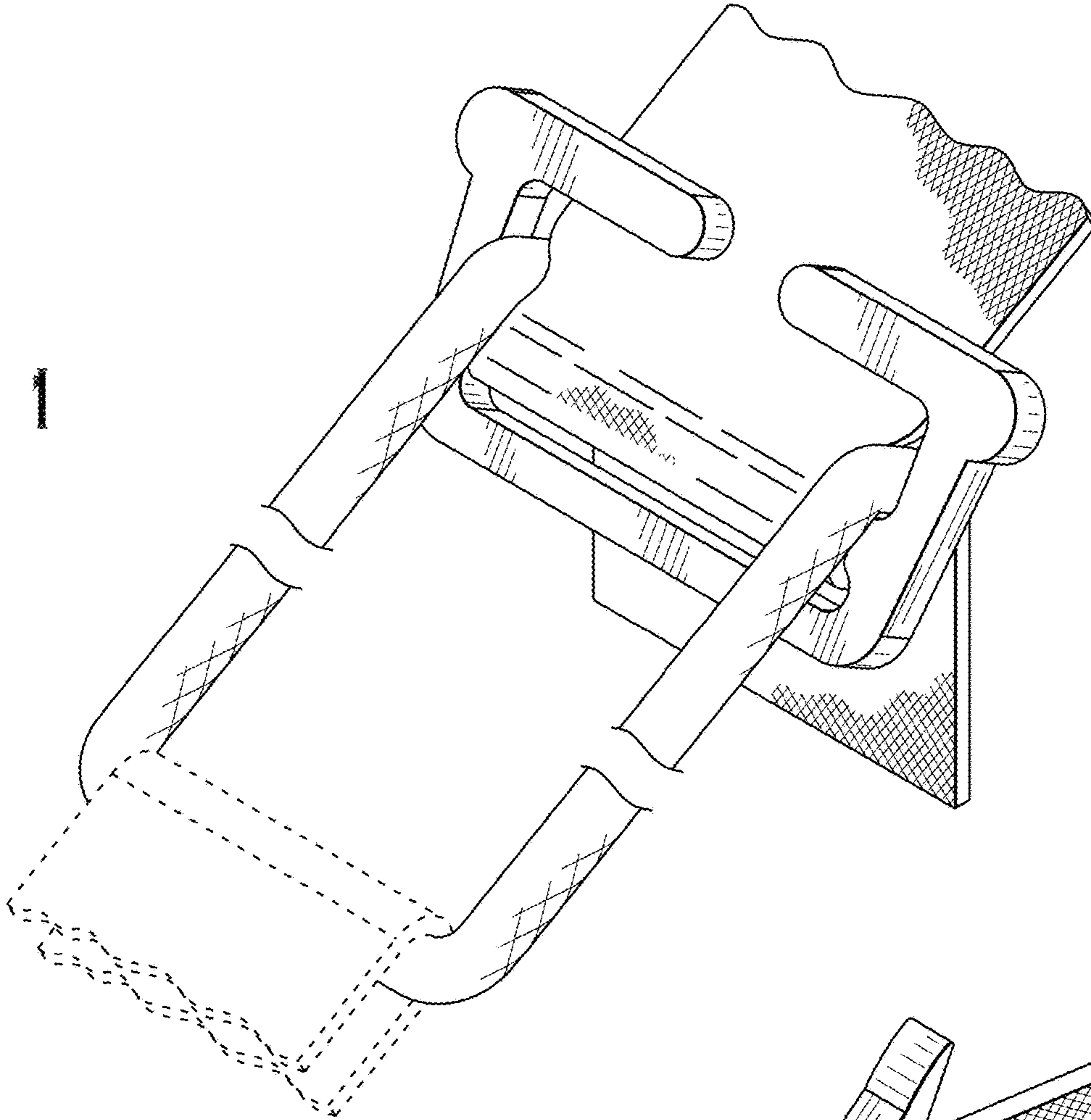
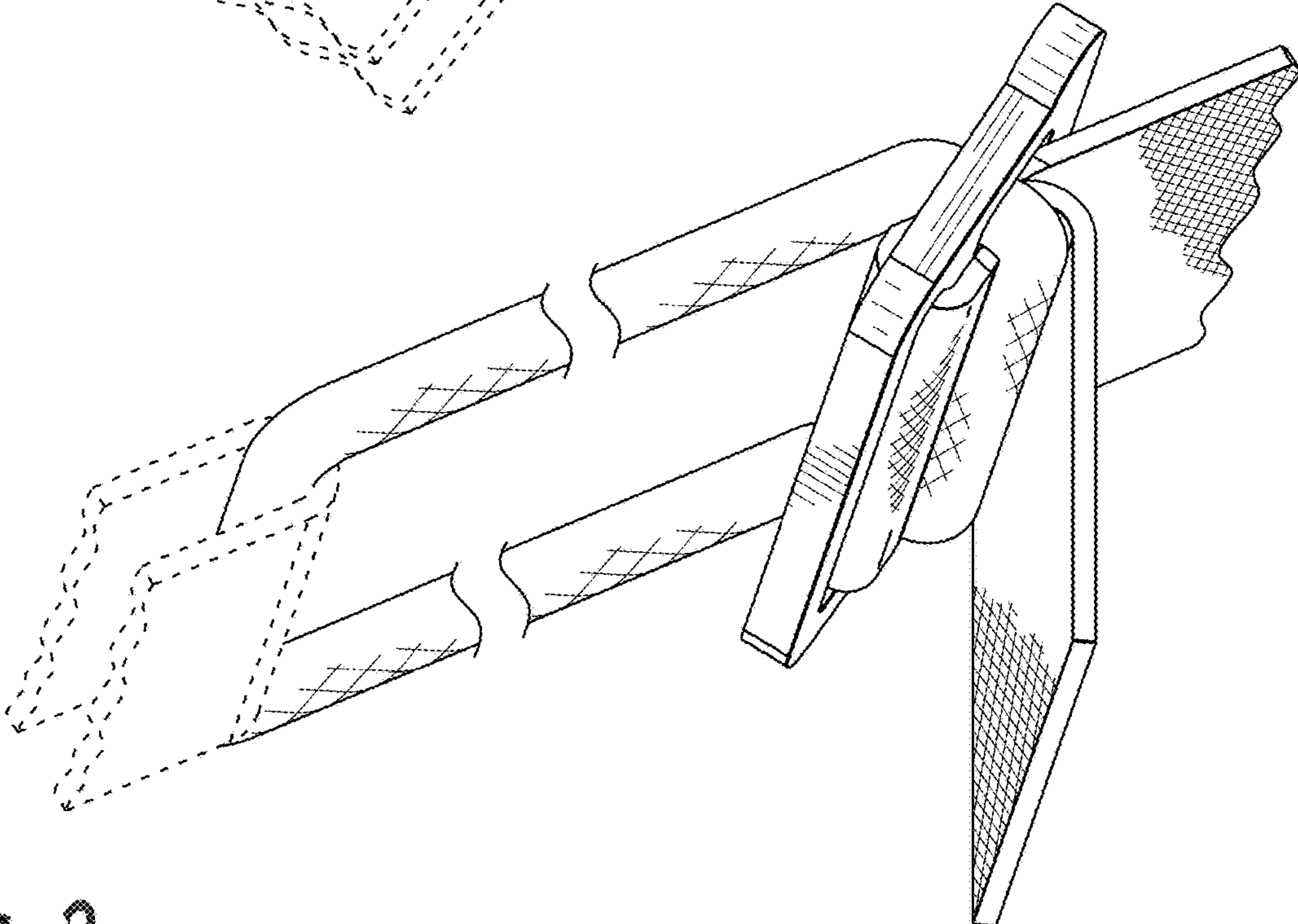


FIG. 2



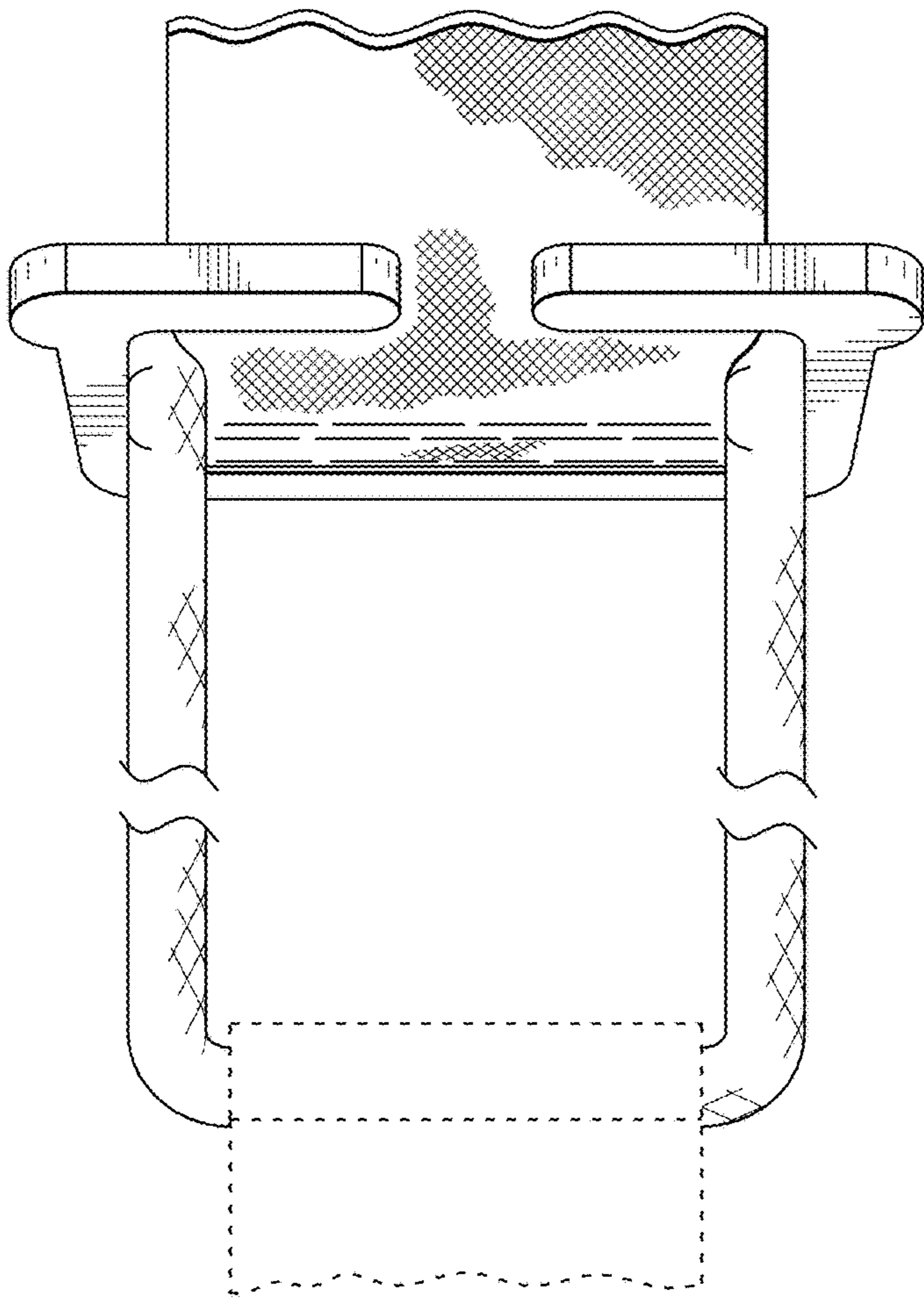


FIG. 3

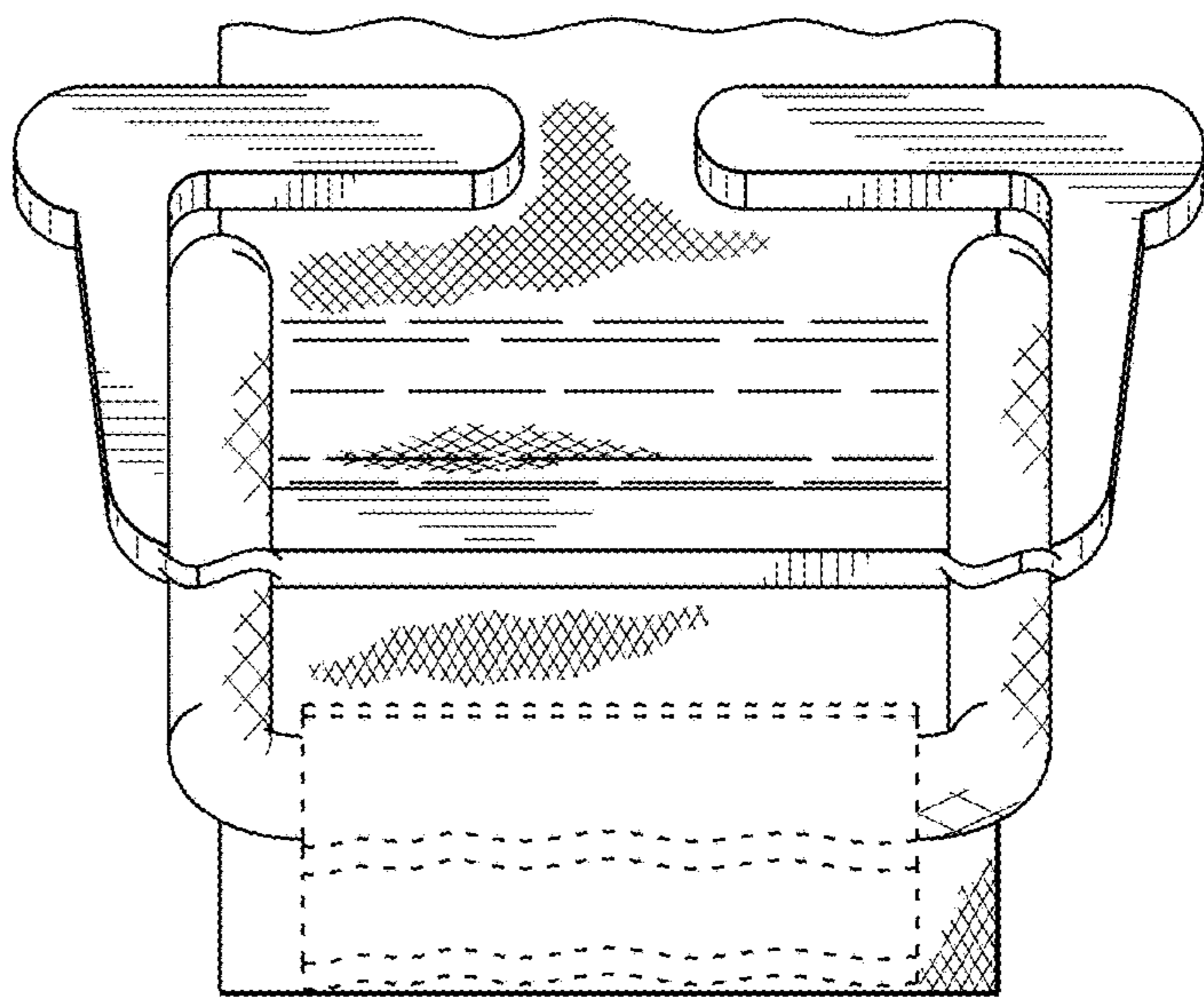


FIG. 4

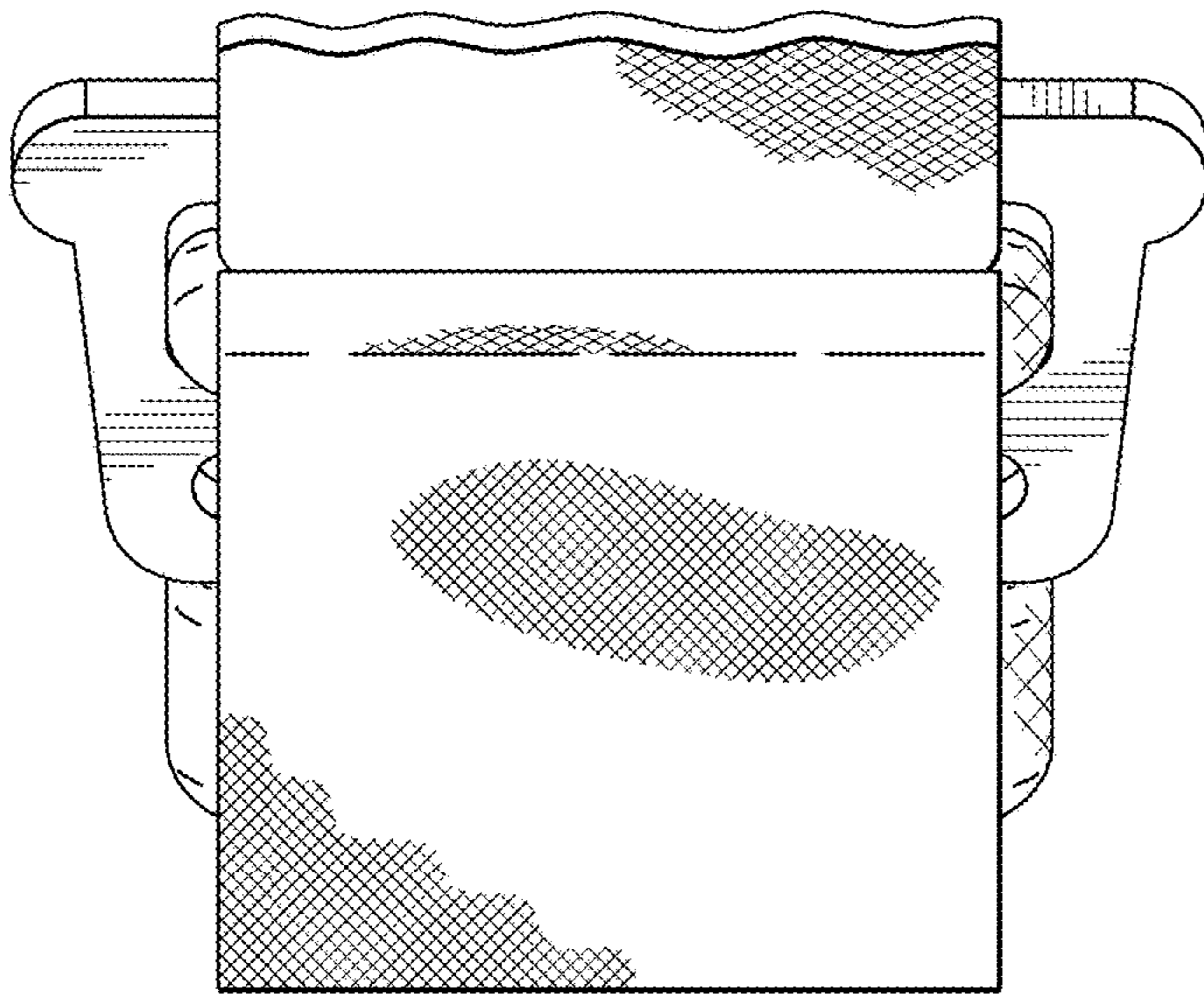


FIG. 5

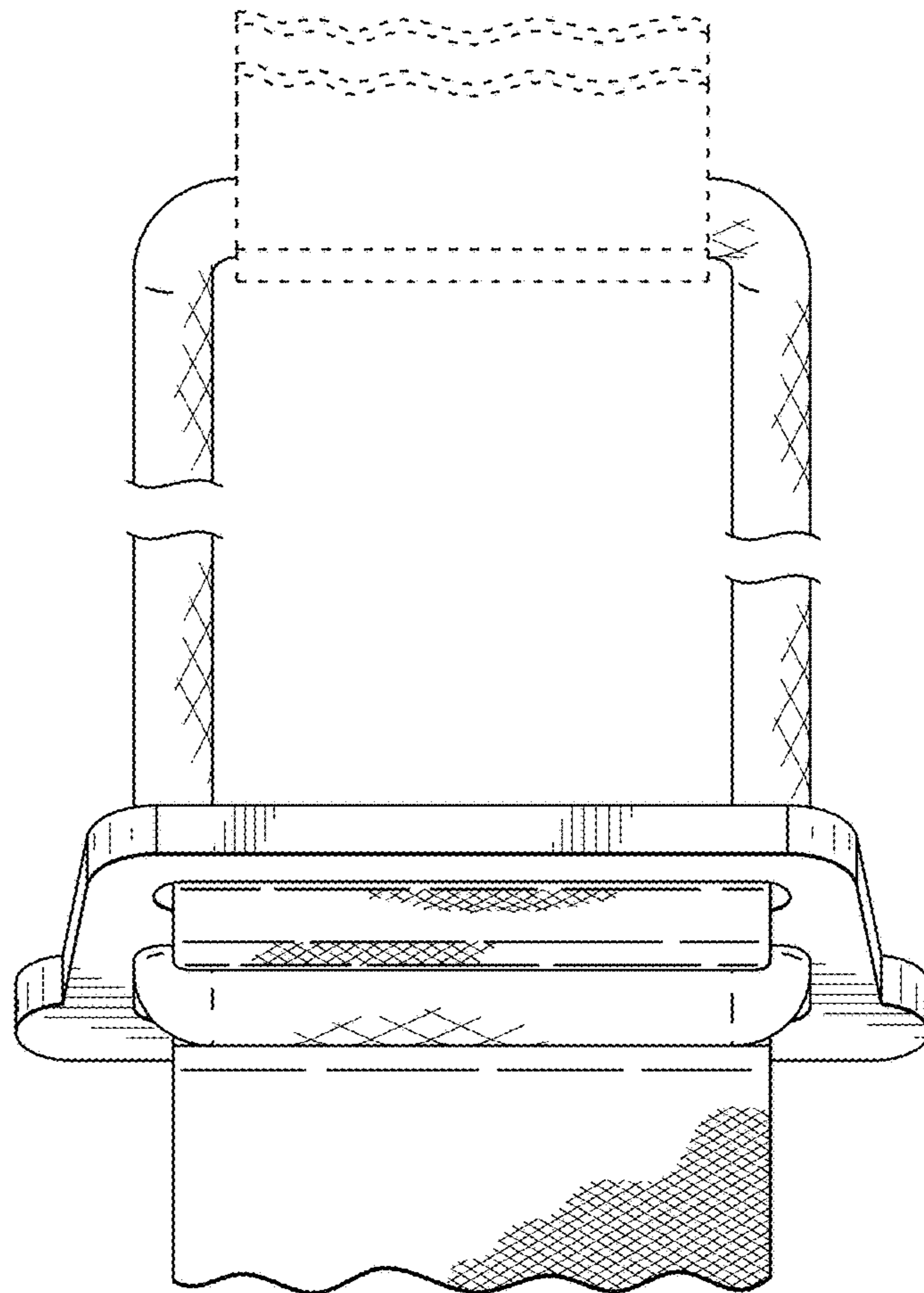


FIG. 6

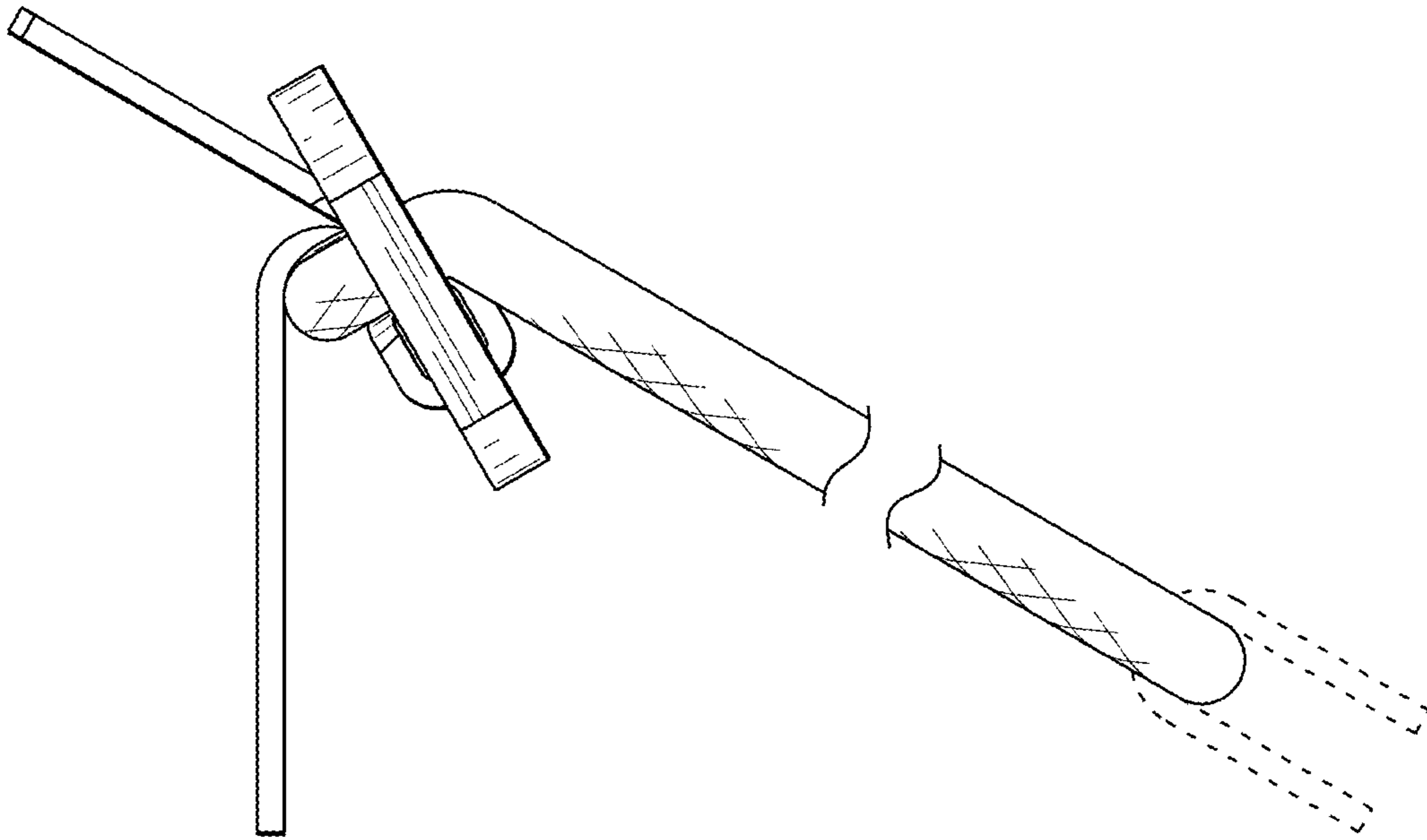


FIG. 7

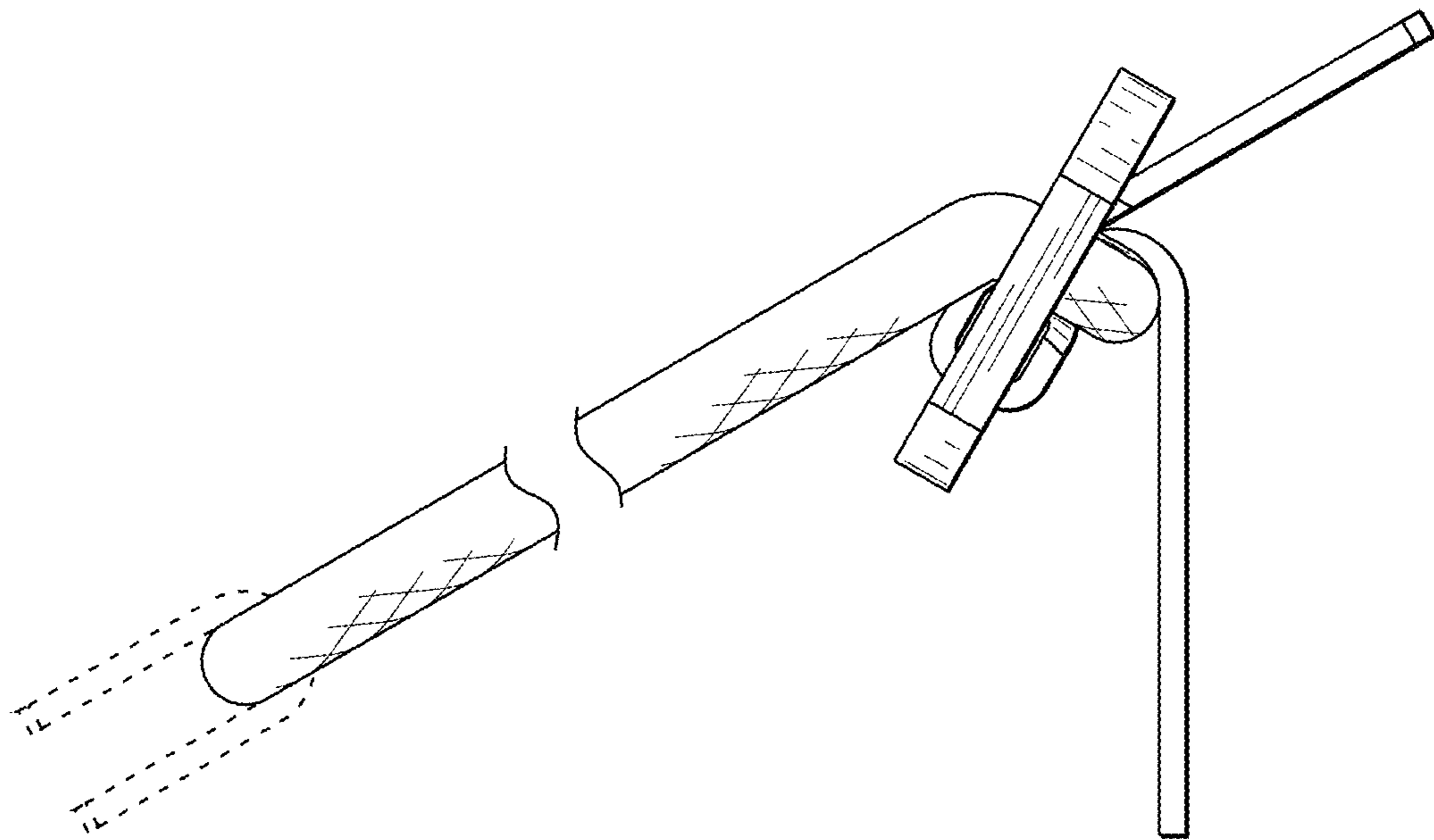


FIG. 8

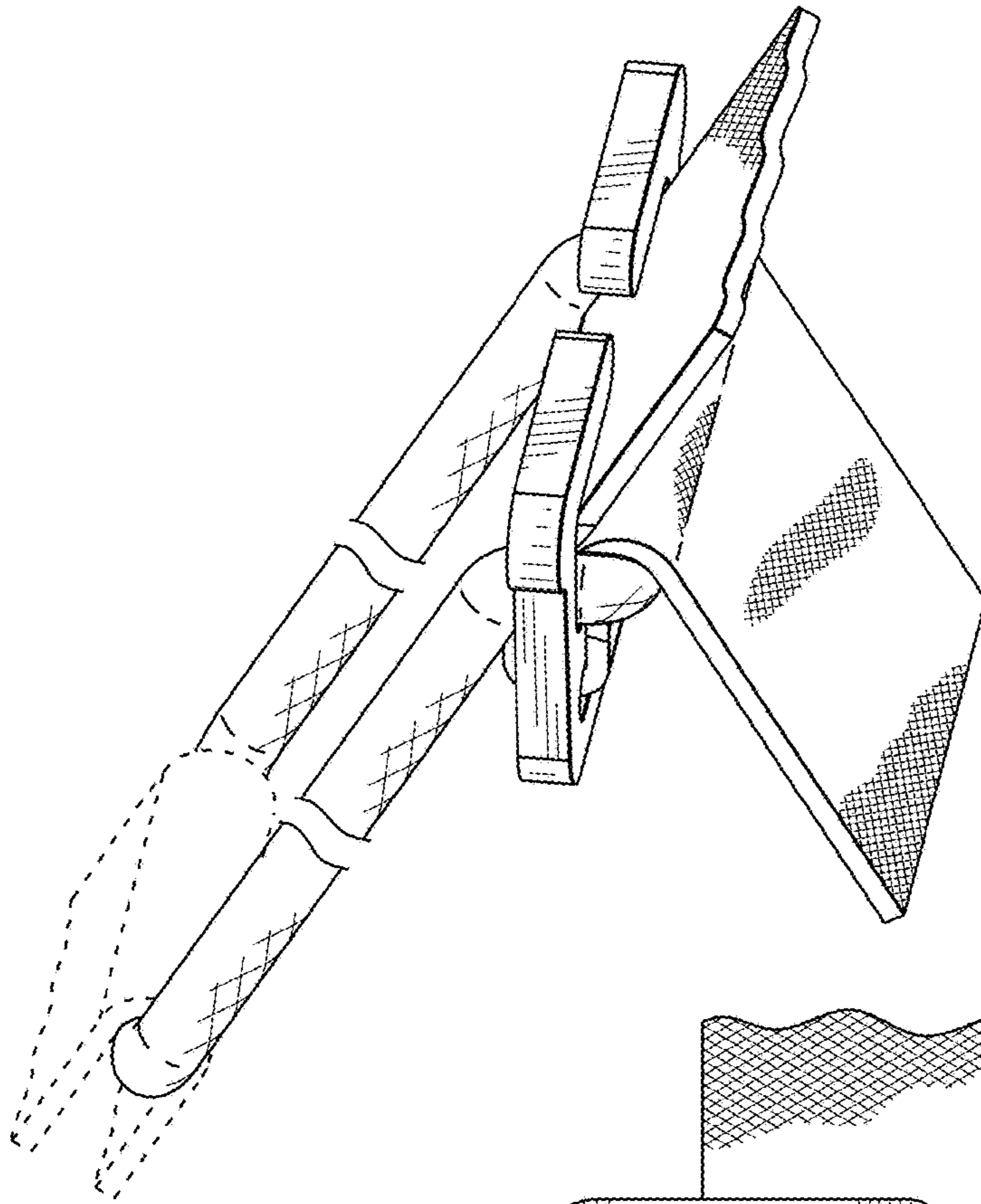


FIG. 9

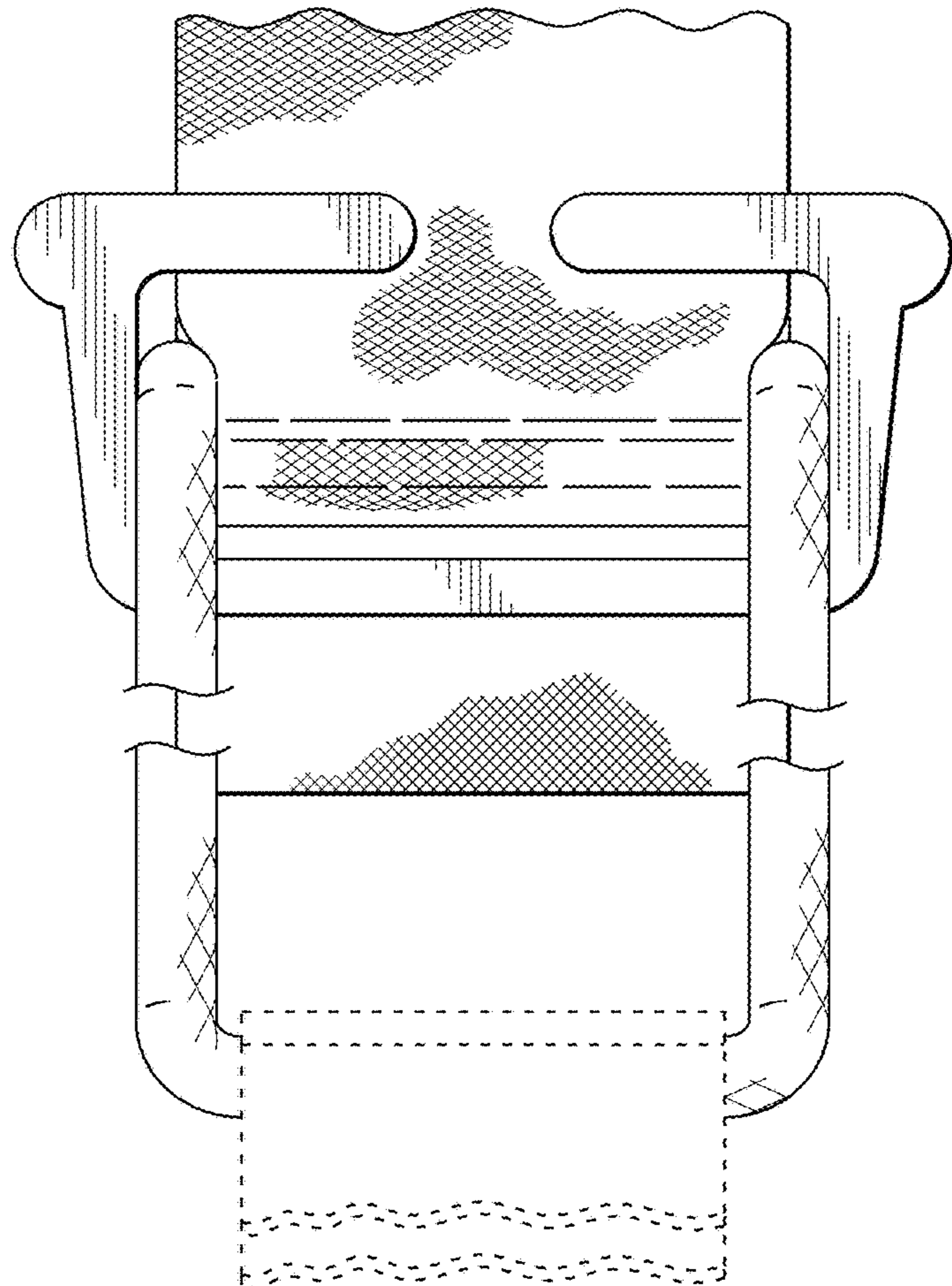


FIG. 10