



US00D817222S

(12) **United States Design Patent** (10) **Patent No.:** **US D817,222 S**  
**Thuma et al.** (45) **Date of Patent:** **\*\* May 8, 2018**

- (54) **PLANTER**
- (71) Applicant: **Suncast Technologies, LLC**, Palm Beach Gardens, FL (US)
- (72) Inventors: **Michael Thuma**, La Grange, IL (US); **Torrence Anderson**, Overland Park, KS (US); **Michael R. Vogler**, Oswego, IL (US)
- (73) Assignee: **Suncast Technologies, LLC**, Palm Beach Gardens, FL (US)
- (\*\*) Term: **15 Years**
- (21) Appl. No.: **29/566,201**
- (22) Filed: **May 27, 2016**
- (51) **LOC (11) Cl.** ..... **11-02**
- (52) **U.S. Cl.**  
USPC ..... **D11/155**
- (58) **Field of Classification Search**  
USPC ..... D11/131, 155, 143-154, 156; 47/65.5, 47/39; D6/329, 403-405, 512, 556-558  
CPC . A01G 9/00; A01G 9/02; A01G 9/021; A01G 9/022; A01G 9/042; A47G 7/00  
See application file for complete search history.

- D552,319 S \* 10/2007 Gusdorf ..... D11/143
- D578,929 S \* 10/2008 White ..... D11/155
- D579,375 S \* 10/2008 White ..... D11/155
- D631,783 S \* 2/2011 White ..... D11/155
- D665,300 S \* 8/2012 Pedersen ..... D11/155
- D734,688 S \* 7/2015 DeYoung ..... D11/152
- D758,917 S \* 6/2016 Smith ..... D11/155
- D775,999 S \* 1/2017 Shaffer ..... D11/155

\* cited by examiner

*Primary Examiner* — Susan Bennett Hattan  
*Assistant Examiner* — Rebecca Tsehaye  
(74) *Attorney, Agent, or Firm* — McHale & Slavin, P.A.

(57) **CLAIM**

The ornamental design for a planter, as shown and described.

**DESCRIPTION**

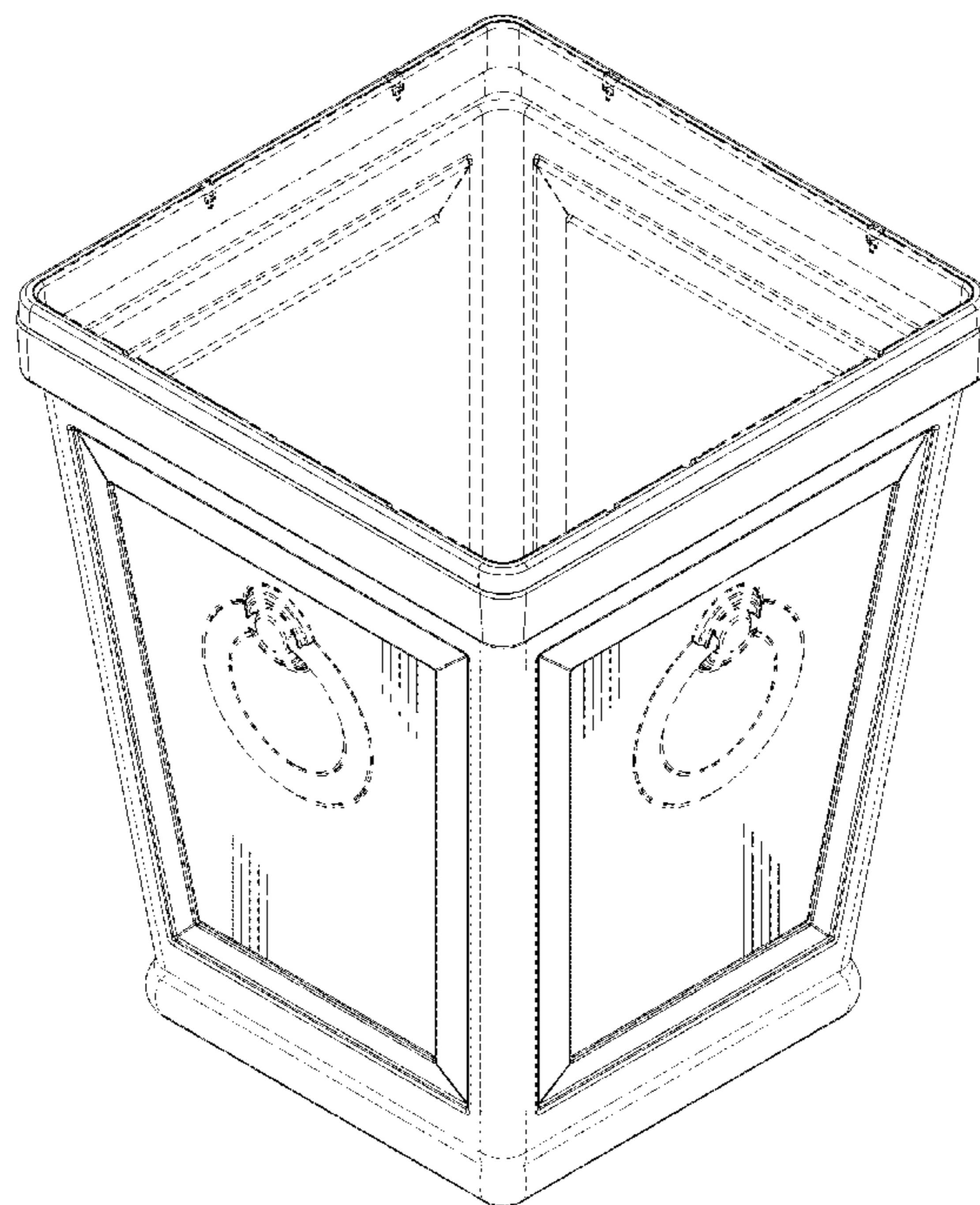
FIG. 1 is a top isometric view of the planter of the present invention;  
FIG. 2 is a front view thereof, the rear view being identical thereto;  
FIG. 3 is a right side view thereof, the left side view being identical thereto;  
FIG. 4 is a top view thereof;  
FIG. 5 is a bottom view thereof; and,  
FIG. 6 is a bottom isometric view thereof.  
The portions of the planter illustrated in broken lines form no part of the claimed design for the planter. The phantom lines provide boundaries separating the claimed and the unclaimed portions of the planter design.

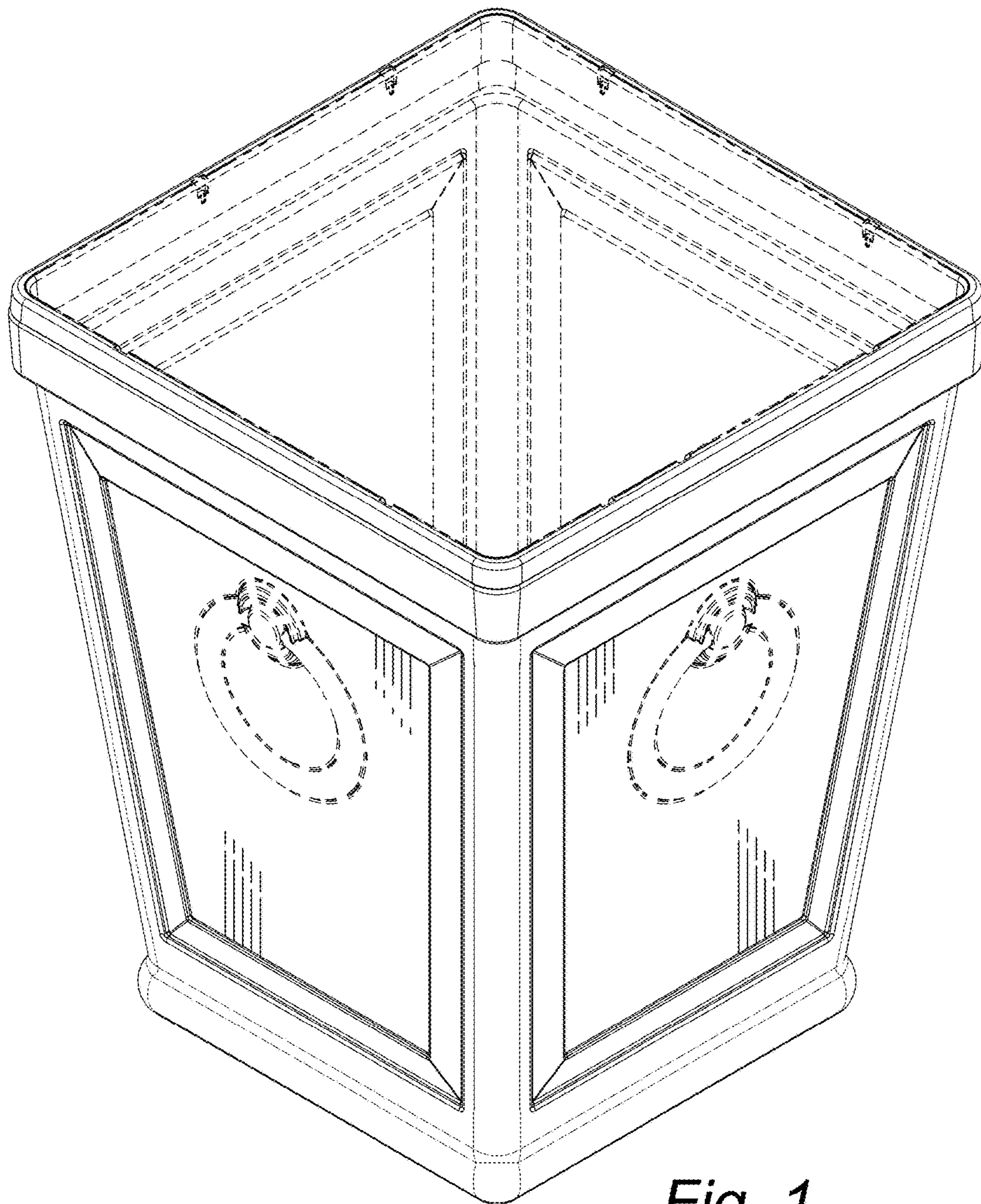
**1 Claim, 6 Drawing Sheets**

(56) **References Cited**

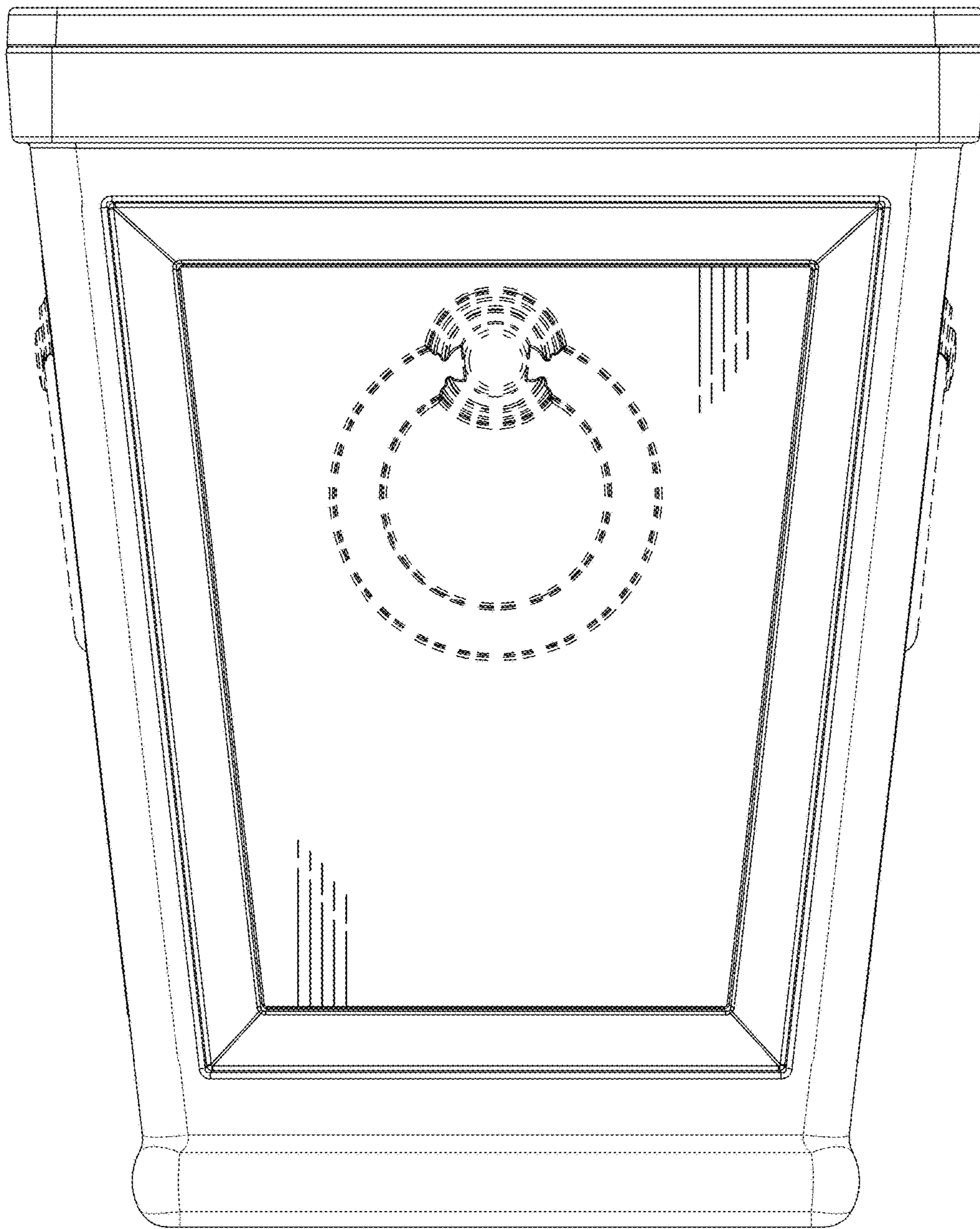
U.S. PATENT DOCUMENTS

- D150,258 S \* 7/1948 Rosenberg ..... D11/155
- D424,472 S \* 5/2000 Grosfillex ..... D11/155
- D426,490 S \* 6/2000 Grosfillex ..... D11/155
- D488,401 S \* 4/2004 Gutierrez ..... D11/155
- D528,940 S \* 9/2006 Espejo ..... D11/155

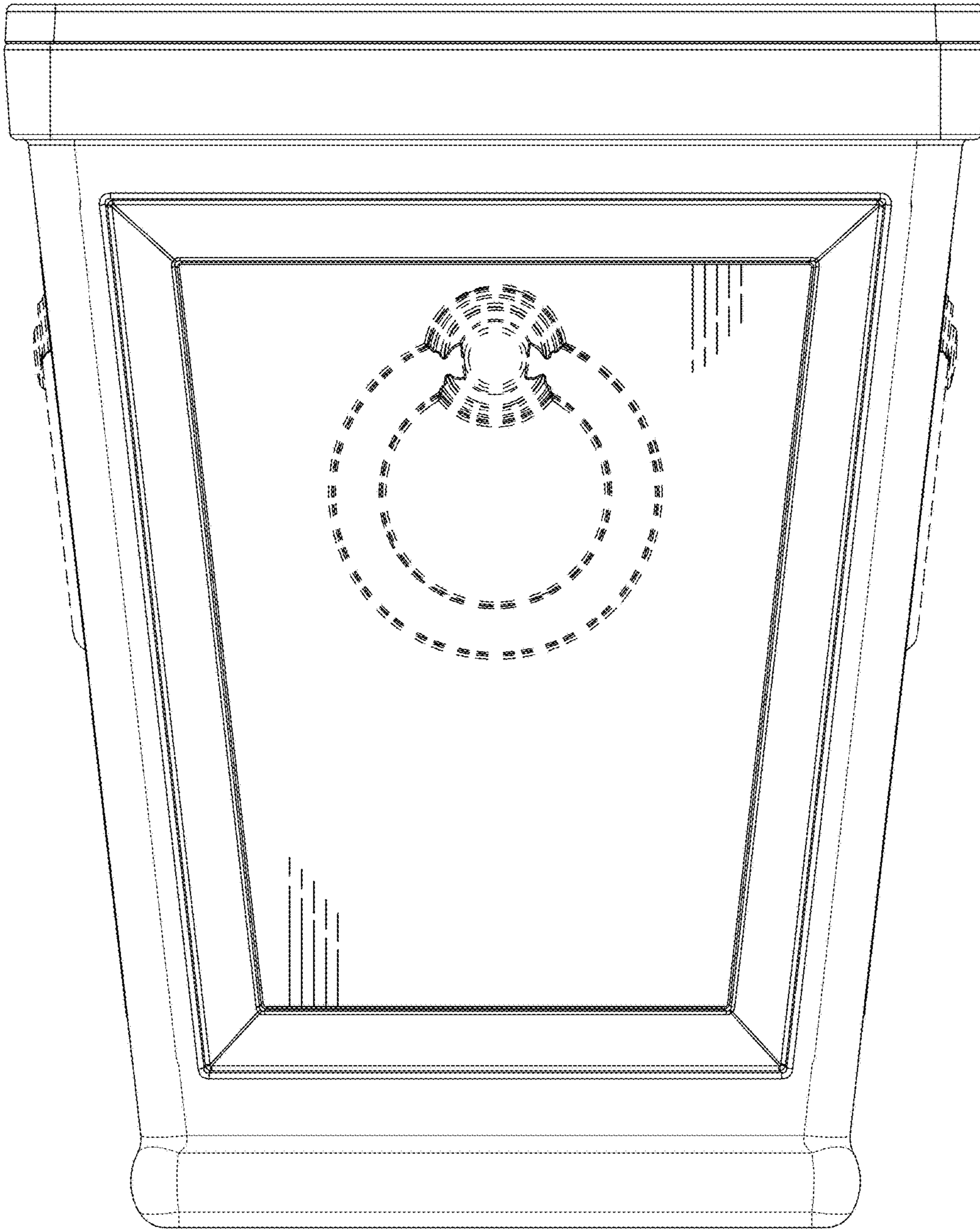




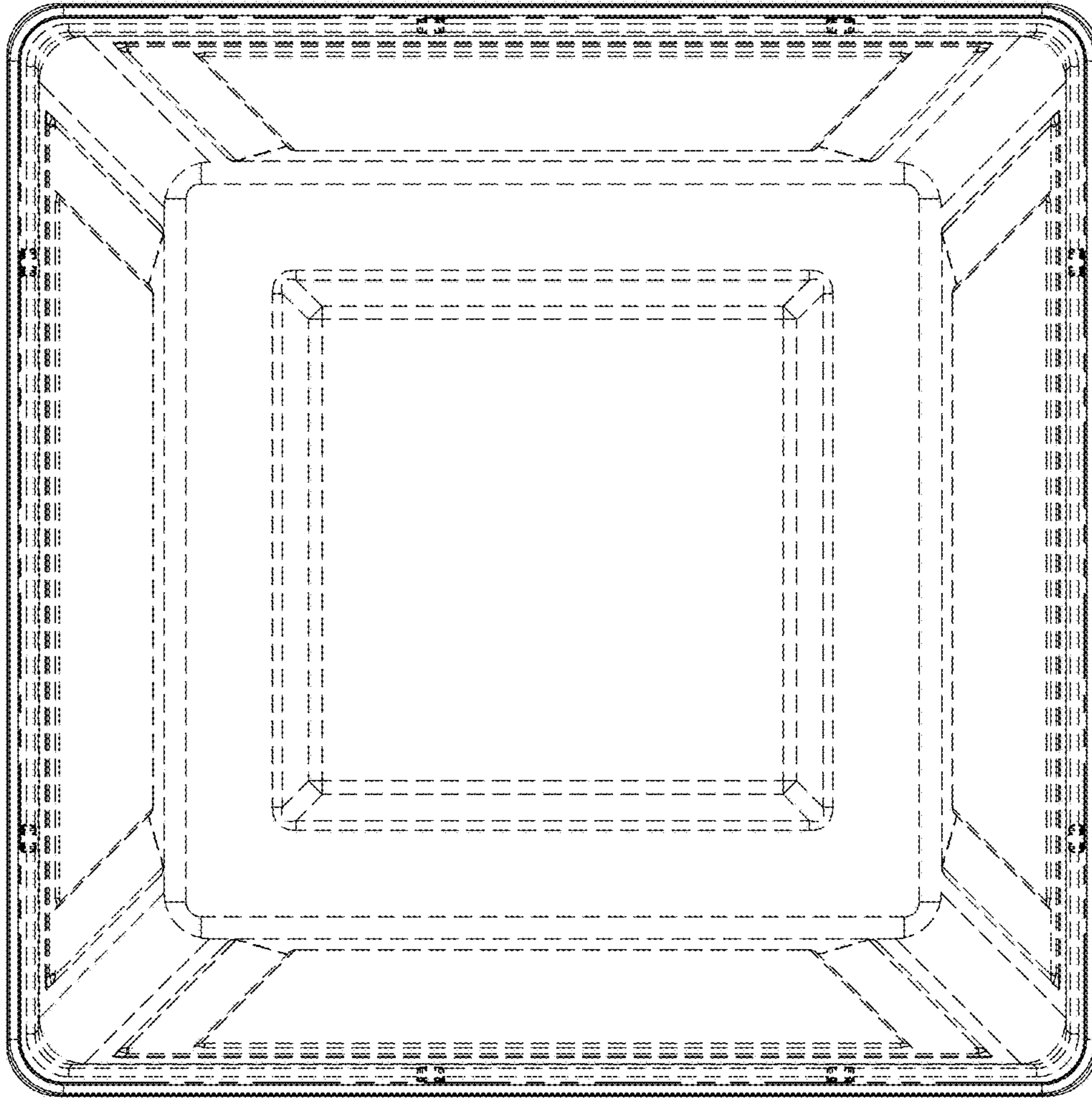
*Fig. 1*



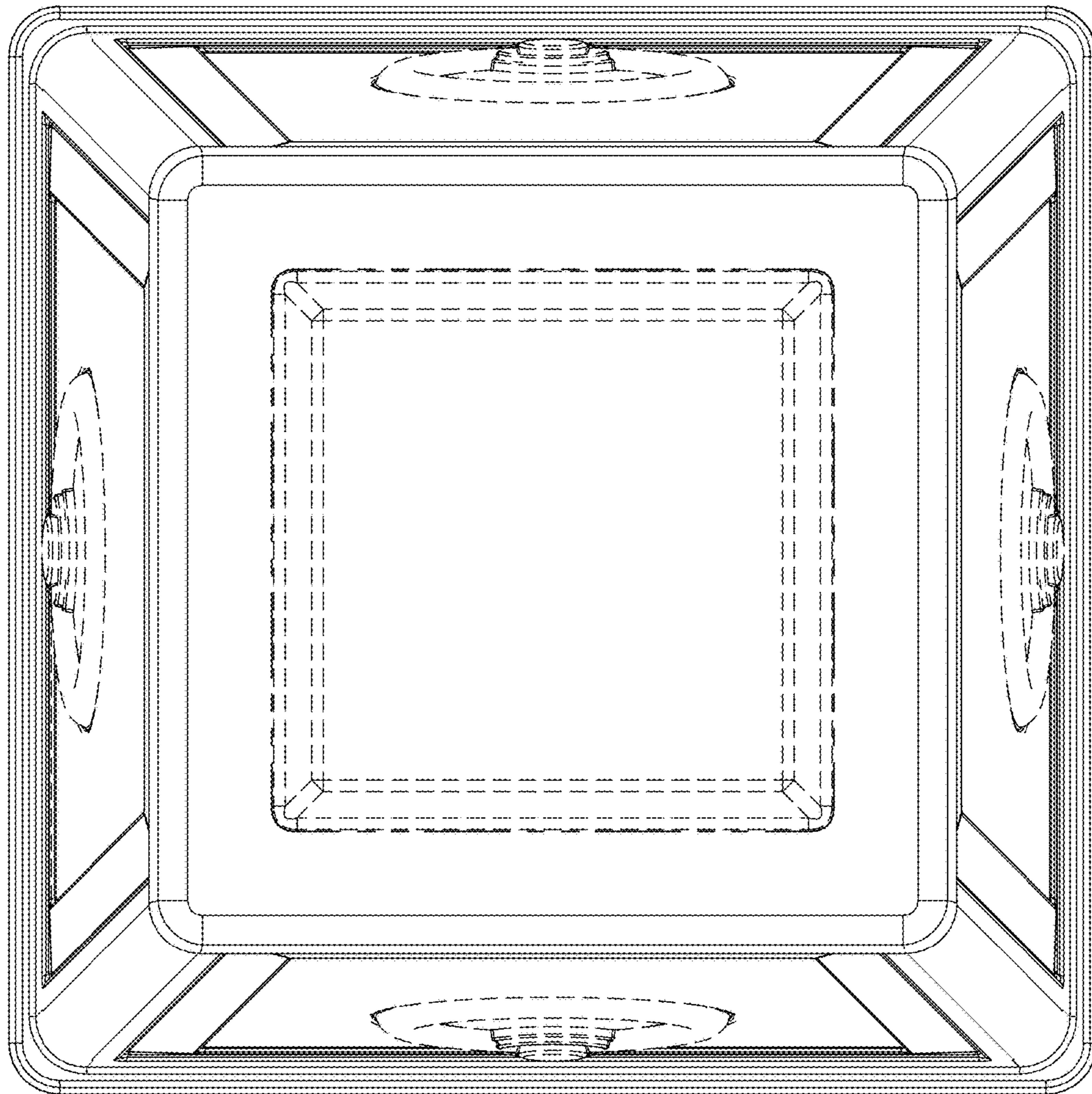
*Fig. 2*



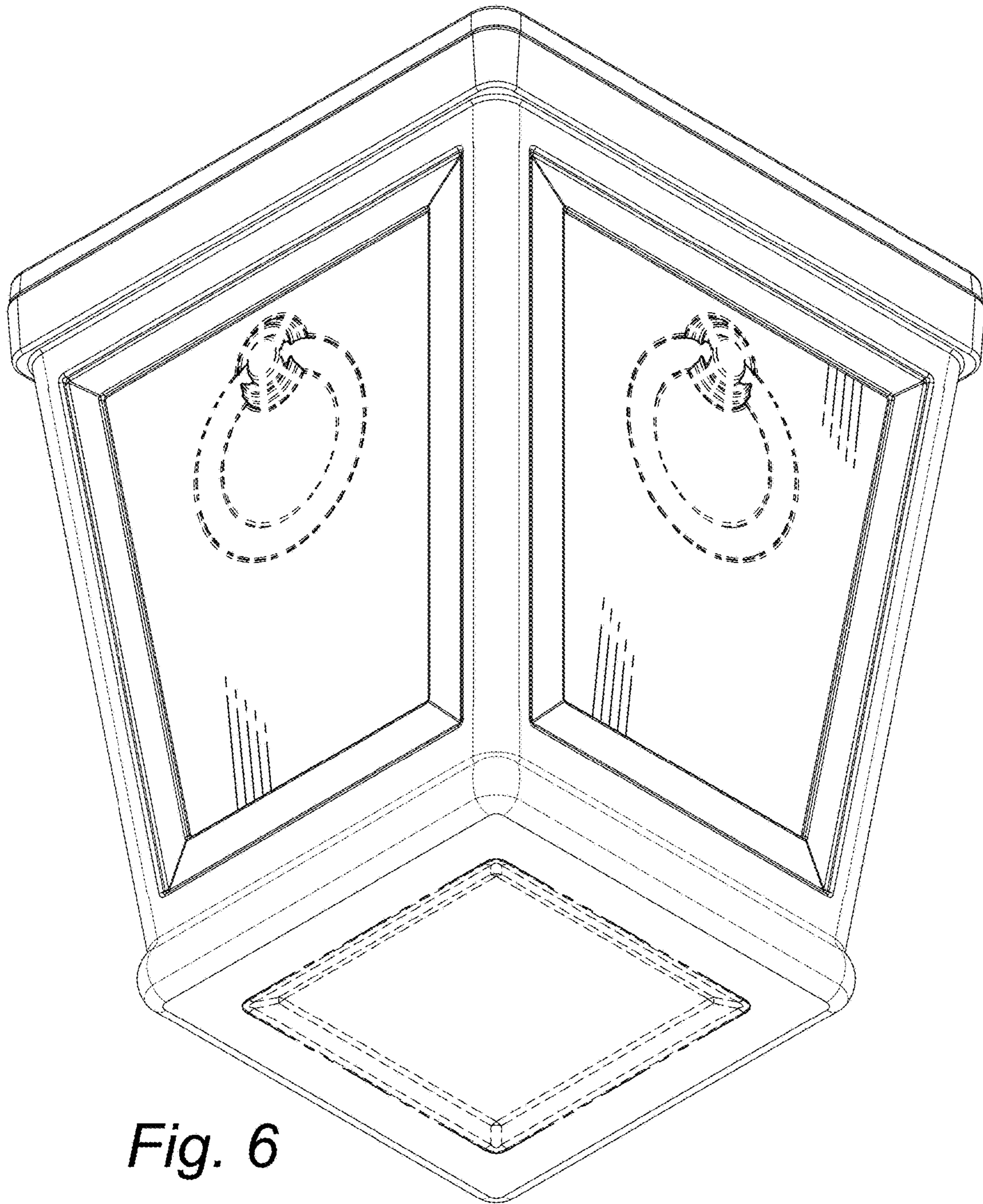
*Fig. 3*



*Fig. 4*



*Fig. 5*



*Fig. 6*