



US00D817221S

(12) **United States Design Patent** (10) **Patent No.:** **US D817,221 S**
Stowe et al. (45) **Date of Patent:** **** May 8, 2018**

(54) **PLANTER BAG**
(71) Applicant: **WHS Trading Australia Pty Ltd,**
Wembley, WA (AU)
(72) Inventors: **Robert Geoffrey Stowe,** Wembley
(AU); **Steve Turner,** Wembley (AU)
(73) Assignee: **WHS Trading Australia Pty Ltd,**
Wembley, WA (AU)
(**) Term: **15 Years**
(21) Appl. No.: **29/566,452**
(22) Filed: **May 31, 2016**
(51) **LOC (11) Cl.** **11-02**
(52) **U.S. Cl.**
USPC **D11/148**
(58) **Field of Classification Search**
USPC D11/131, 143-156, 164; D7/500, 509,
D7/523, 532; D9/702-706, 711, 713;
D6/329, 403-405, 512, 556-558; D26/9,
D26/22, 65, 142
CPC A01G 9/02; A01G 9/021; A01G 9/023;
A01G 9/024; B65D 75/008
See application file for complete search history.

D581,738 S * 12/2008 Bodum D7/509
D707,373 S * 6/2014 Nugent D26/22
D723,418 S * 3/2015 Thuma D11/143
D732,221 S * 6/2015 Almodova D26/65
D739,296 S * 9/2015 Thuma D11/154
D777,056 S * 1/2017 Ananda D11/143
D777,371 S * 1/2017 Yang D26/142

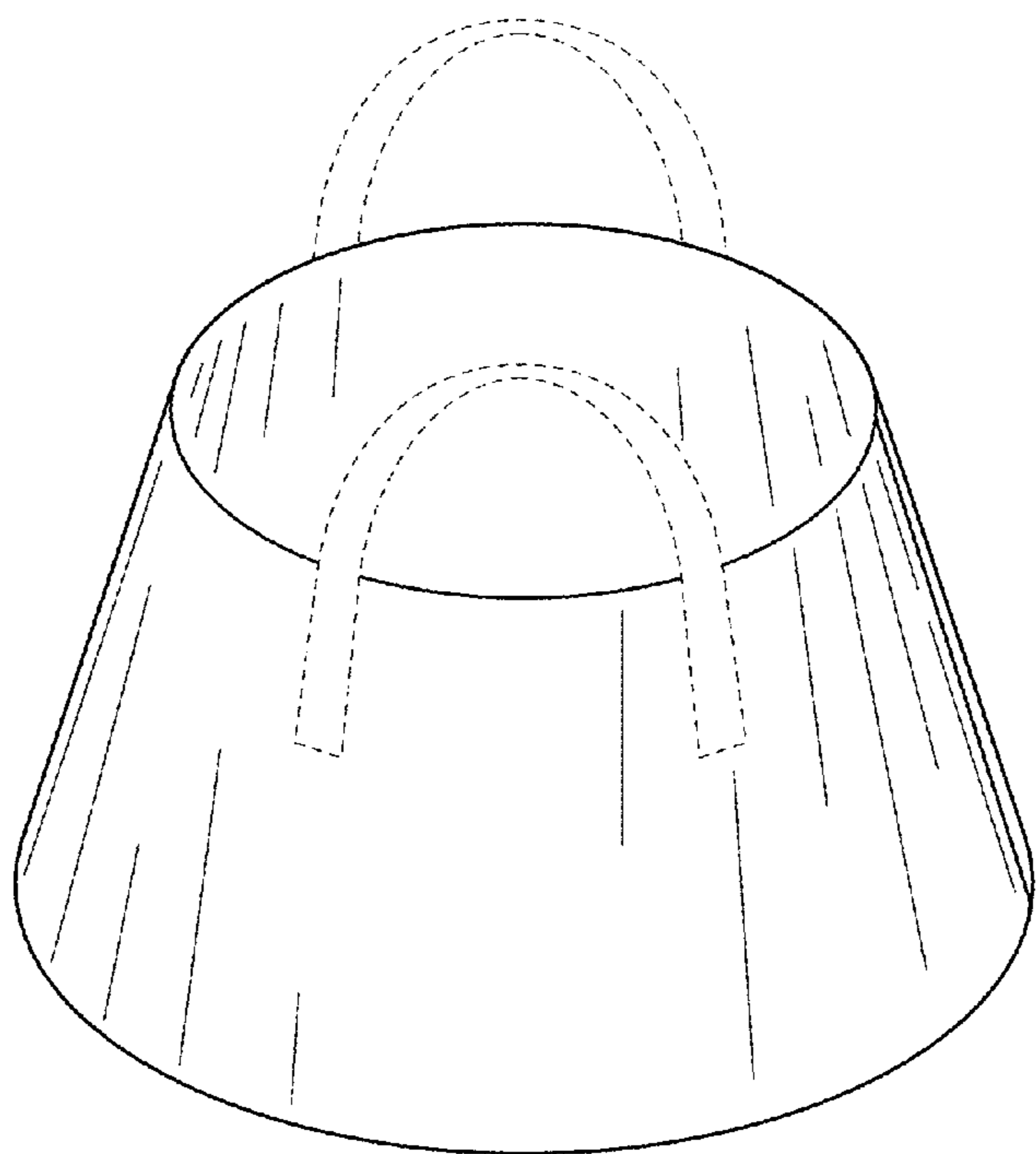
* cited by examiner
Primary Examiner — Susan Bennett Hattan
Assistant Examiner — Rebecca Tsehaye
(74) *Attorney, Agent, or Firm* — Merchant & Gould P.C.

(57) **CLAIM**
The ornamental design for a planter bag, substantially as shown and described.

DESCRIPTION
FIG. 1 is a top perspective view of a planter bag in accordance with the present invention;
FIG. 2 is a bottom perspective view thereof;
FIG. 3 is a top plan view thereof;
FIG. 4 is a bottom plan view thereof;
FIG. 5 is a side view thereof;
FIG. 6 is a side view thereof;
FIG. 7 is a top perspective view rotated 90 degrees thereof; and,
FIG. 8 is a side view rotated 90 degrees thereof.
The broken lines showing the remainder of the planter bag are directed to environment. The broken lines in the drawings depict portions of the planter bag that form no part of the claimed design.

(56) **References Cited**
U.S. PATENT DOCUMENTS
4,353,497 A * 10/1982 Bustin B65D 75/008
383/104
D361,300 S * 8/1995 Weder D11/152
D399,169 S * 10/1998 Weder D11/164

1 Claim, 4 Drawing Sheets



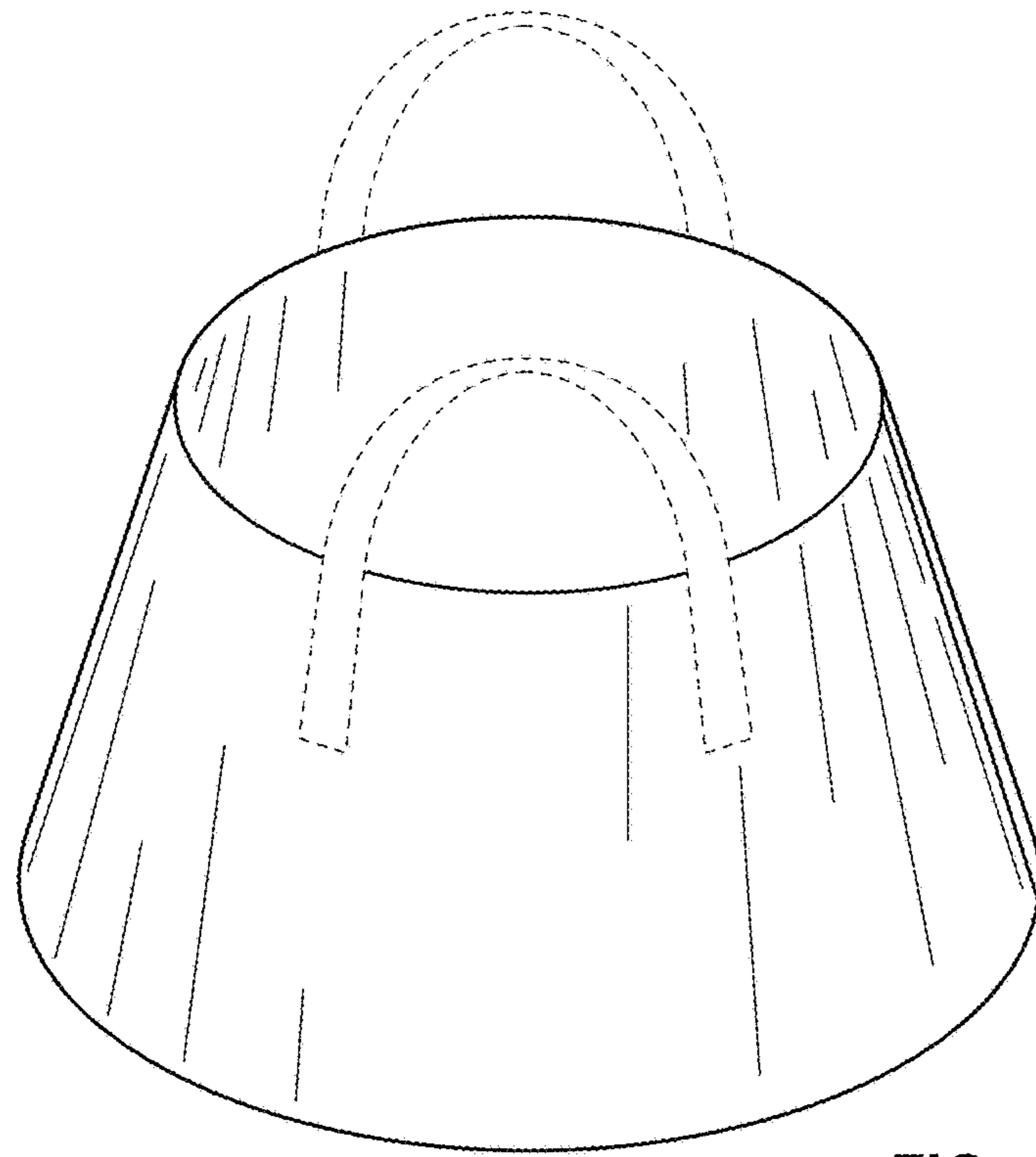


FIG. 1

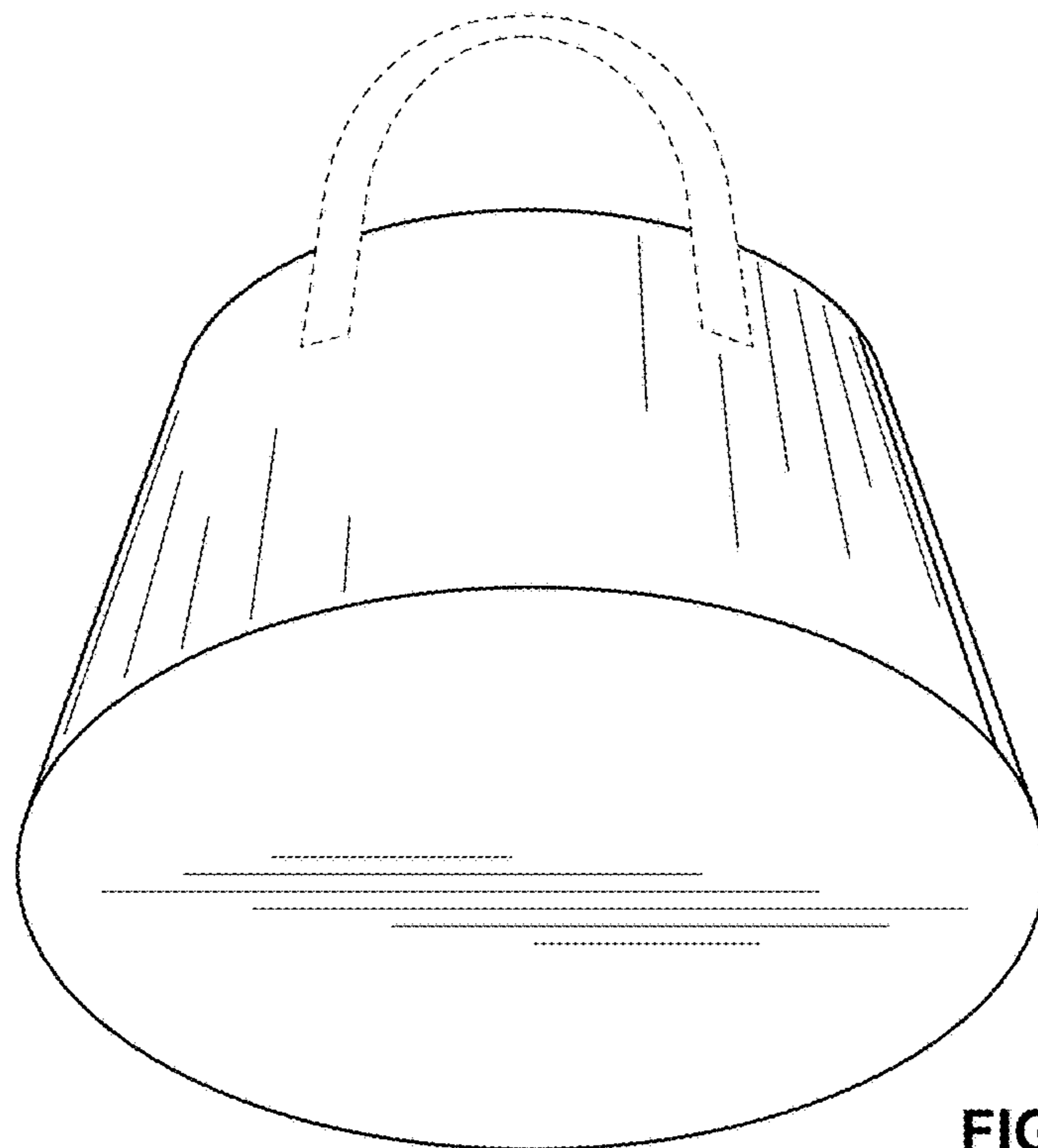


FIG. 2

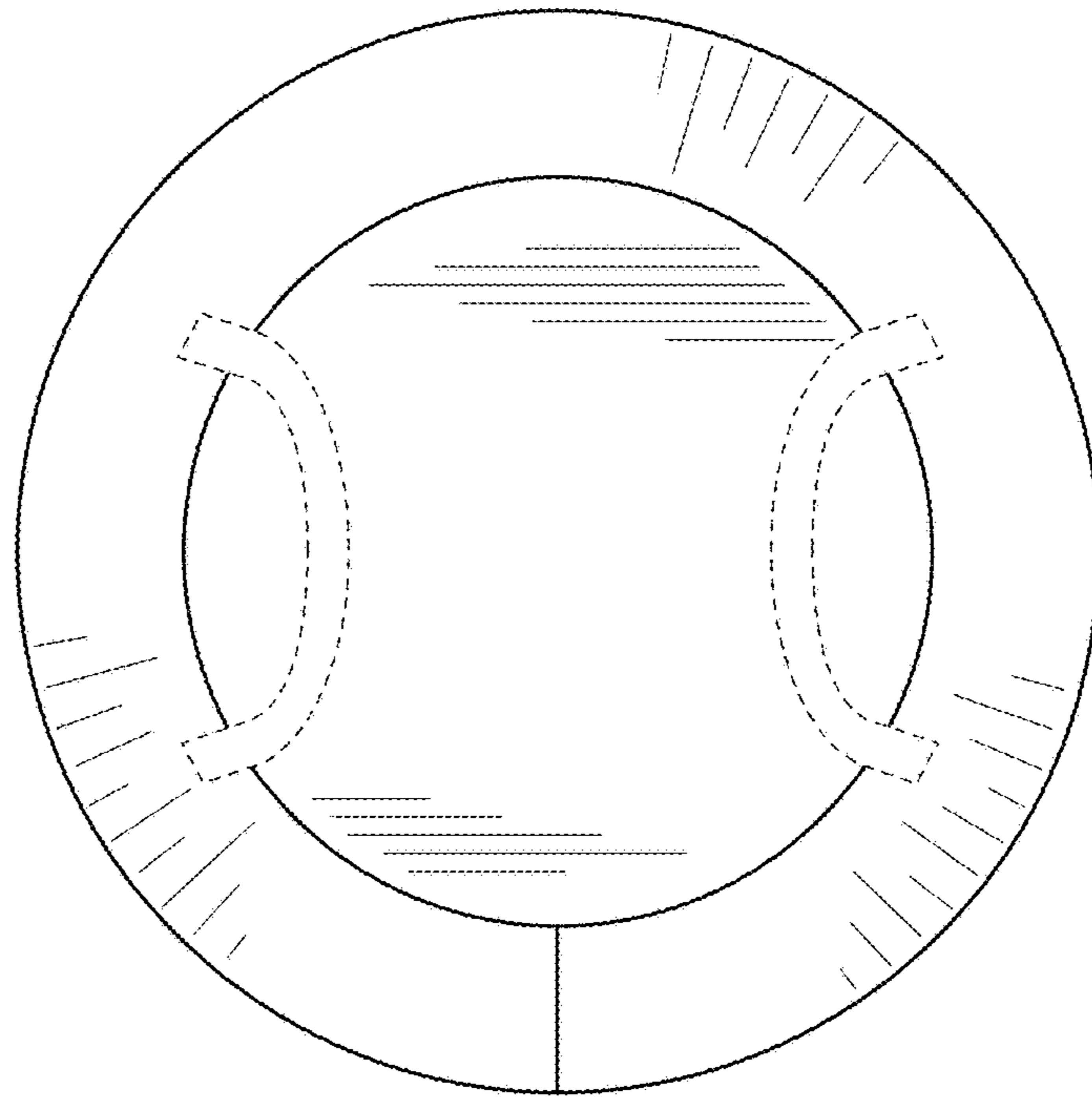


FIG. 3

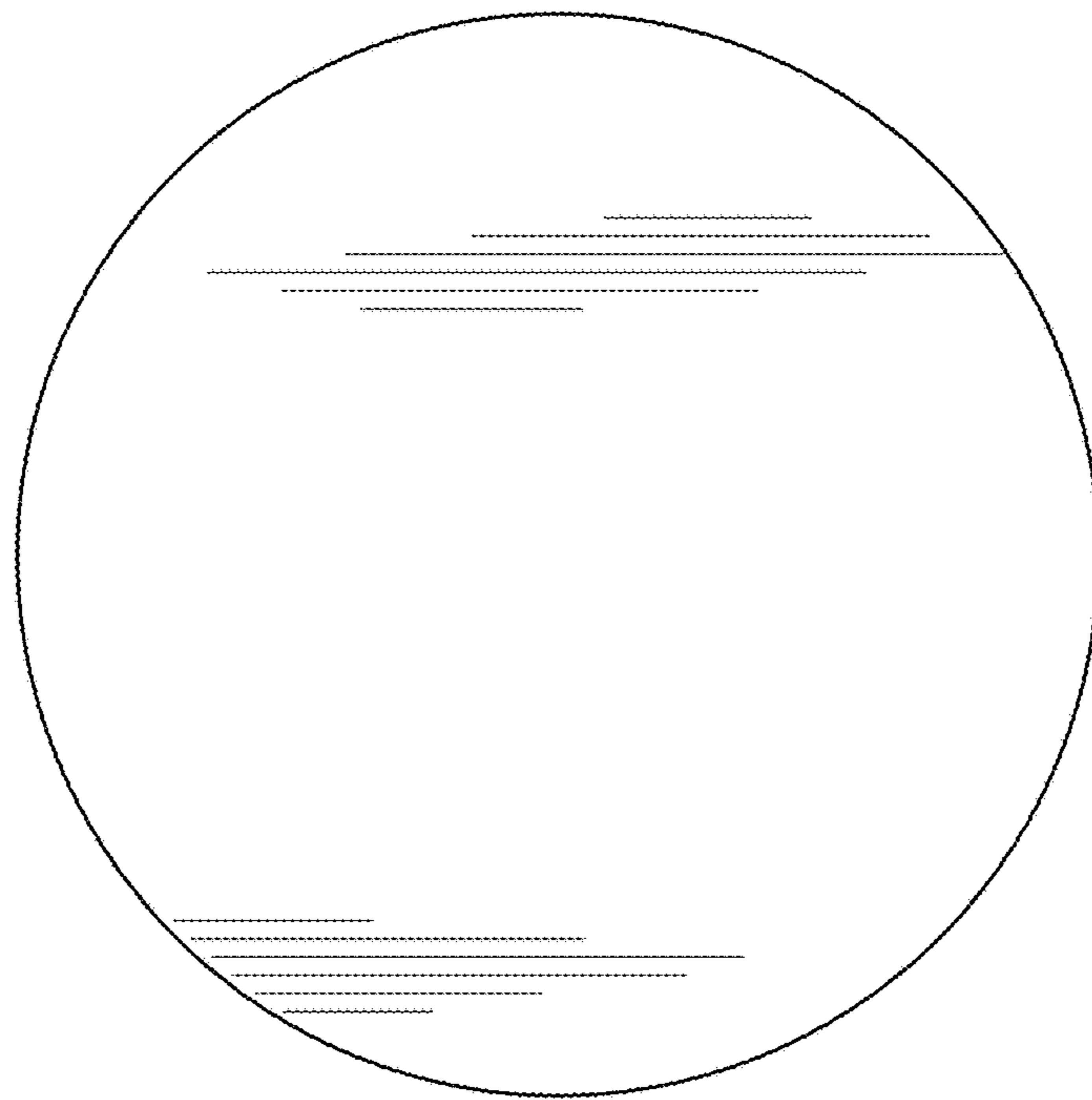


FIG. 4

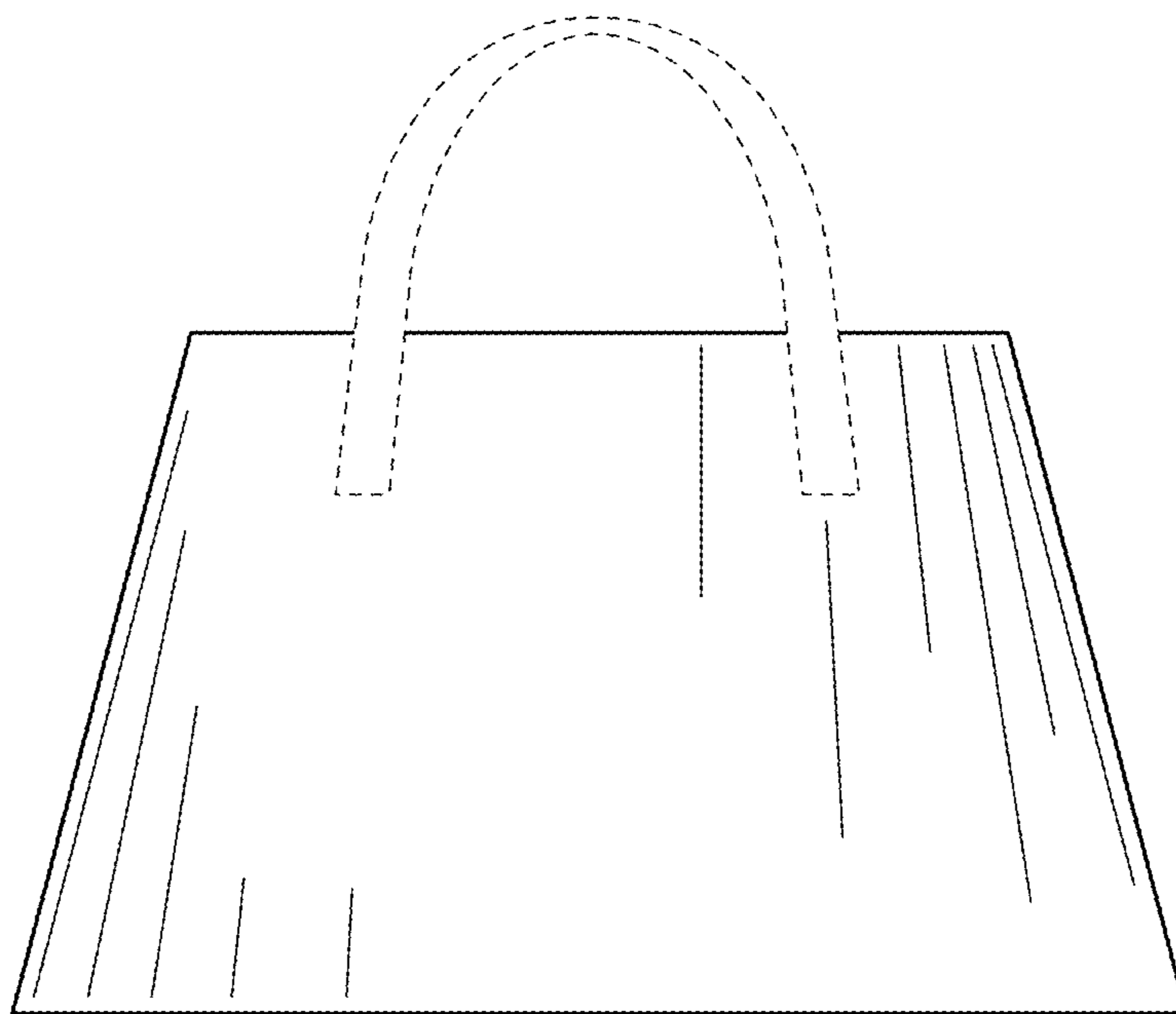


FIG. 5

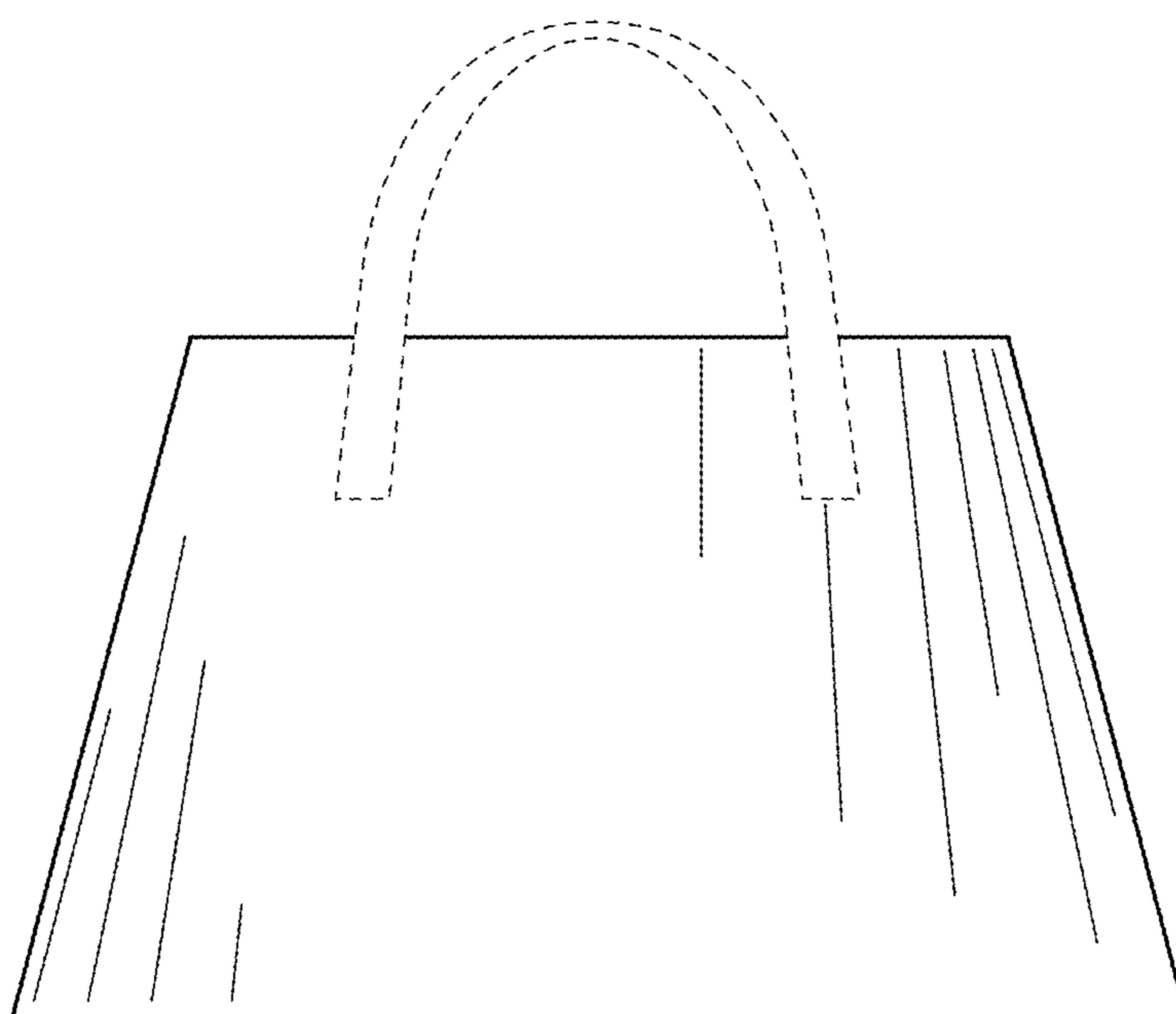


FIG. 6

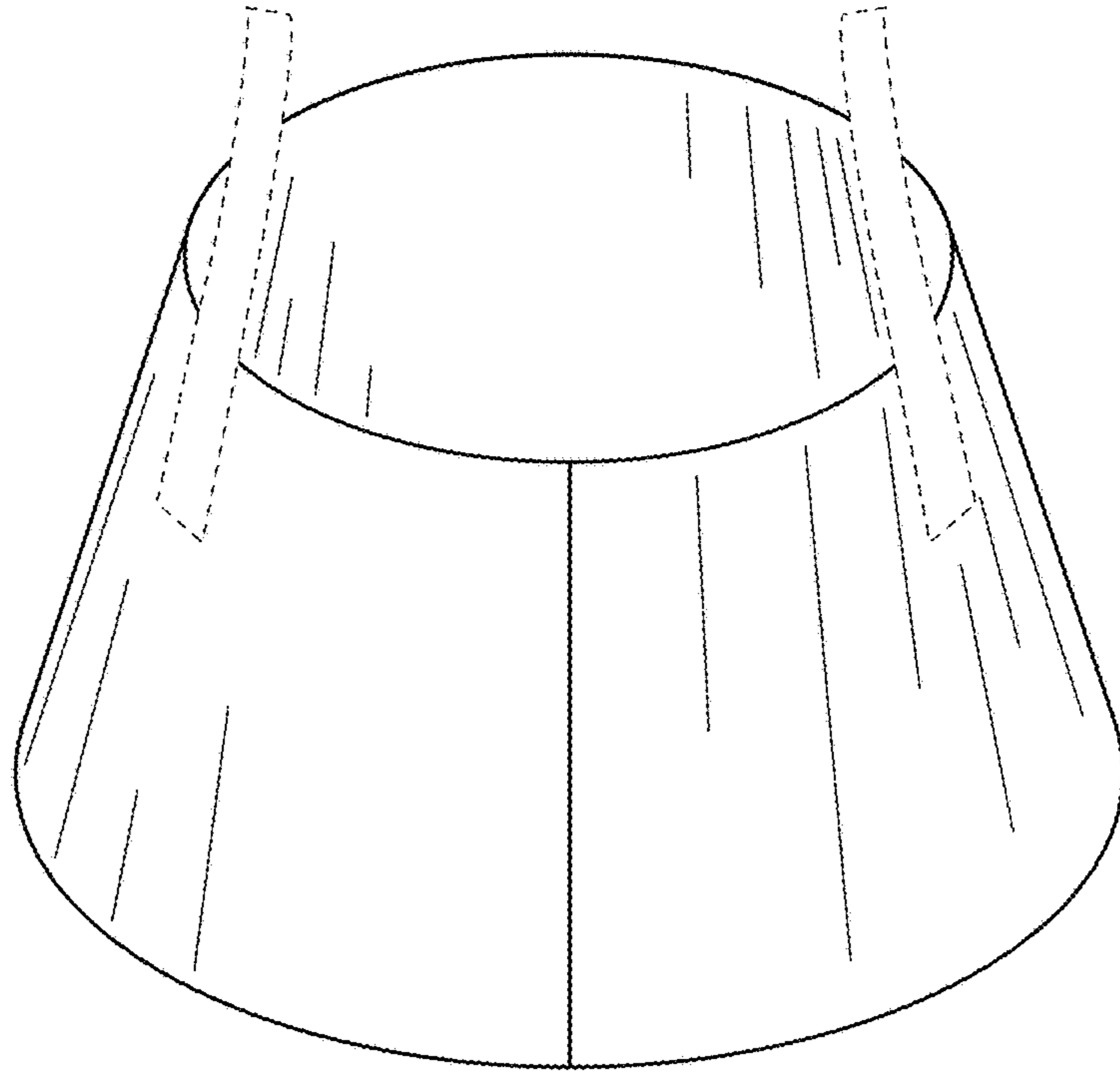


FIG. 7

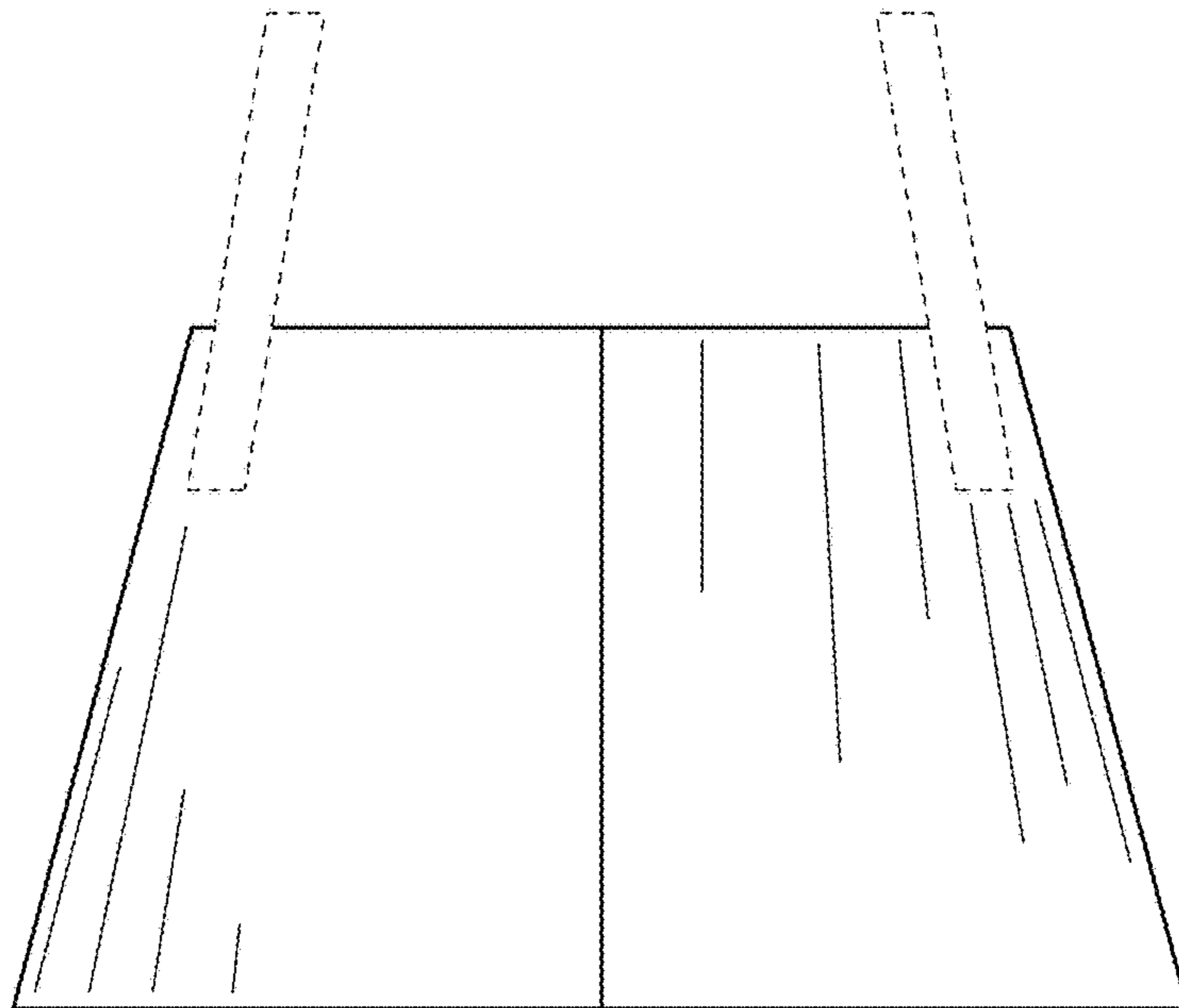


FIG. 8