



US00D817214S

(12) **United States Design Patent** (10) **Patent No.:** **US D817,214 S**
Qin (45) **Date of Patent:** **** May 8, 2018**

(54) **BRACELET**
(71) Applicant: **ACE LIGHT & ELECTRONIC
TECH(NINGBO) CO., LTD.**, Ningbo,
Zhejiang Province (CN)
(72) Inventor: **Yanbei Qin**, Ningbo (CN)
(73) Assignee: **ACE LIGHT & ELECTRONIC
TECH(NINGBO) CO., LTD.**, Ningbo
(CN)

4,894,757 A * 1/1990 Frusha A44C 15/0015
362/103
D329,399 S * 9/1992 Bulgari D11/4
D358,562 S * 5/1995 Bulgari D11/3
D373,095 S * 8/1996 Bulgari D11/6
D383,694 S * 9/1997 Bulgari D11/12
D383,995 S * 9/1997 Bulgari D11/6
D388,729 S * 1/1998 Bulgari D11/11
D391,884 S * 3/1998 Bulgari D11/6
D511,473 S * 11/2005 Weinacht D11/11
D519,873 S * 5/2006 Rheaume D11/8
D551,585 S * 9/2007 Wooley D11/11

(Continued)

(**) Term: **15 Years**

OTHER PUBLICATIONS

(21) Appl. No.: **29/600,869**
(22) Filed: **Apr. 17, 2017**
(51) **LOC (11) Cl.** **11-01**
(52) **U.S. Cl.**
USPC **D11/11**
(58) **Field of Classification Search**
USPC D11/1-26, 40-44, 53, 79-86, 93;
D26/10, 39, 51
CPC A44C 1/00; A44C 3/00; A44C 5/00; A44C
5/0007; A44C 5/0015; A44C 5/0023;
A44C 5/003; A44C 5/0038; A44C
5/0046; A44C 5/0053; A44C 5/0061;
A44C 5/0069; A44C 5/0076; A44C
5/0084; A44C 5/0092; A44C 5/02; A44C
7/00; A44C 7/002; A44C 15/001; A44C
25/00; A44C 25/001; A44C 25/002; A44C
25/004; A44C 25/007; A44C 9/00; A44C
9/0007; A44C 9/0015; A44C 9/0023;
A44C 9/003

[Online] http://sc02.alicdn.com/kf/HTB1CTFIQXXXXXXEXpXXq6xXFXXS/Christmas-fashion-magnetic-led-flashing-bulb-bracelet.jpg_220x220.jpg. Retrieved Jan. 5, 2017.*

Primary Examiner — Melanie Pellegrini
(74) *Attorney, Agent, or Firm* — NK Patent Law, PLLC

See application file for complete search history.

(56) **References Cited**

U.S. PATENT DOCUMENTS

D11,157 S * 4/1879 Shepard D11/13
D123,719 S * 11/1940 Ungar D11/12
D158,355 S * 5/1950 Chernow D11/12
2,681,545 A * 6/1954 Hall A44C 11/002
24/116 A

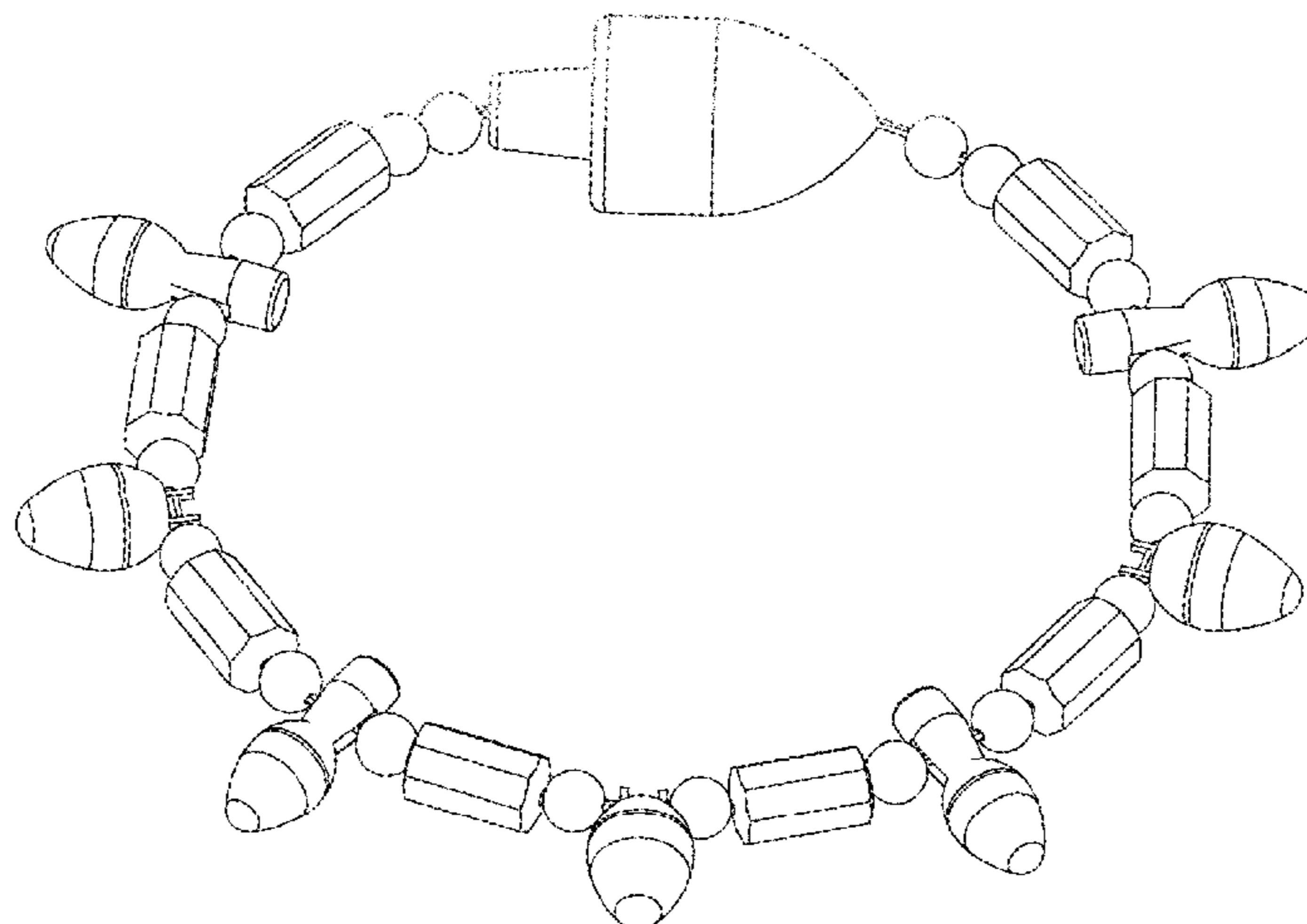
(57) **CLAIM**

I claim the ornamental design for a bracelet, as shown and described.

DESCRIPTION

FIG. 1 is a perspective view of a bracelet, shown in a closed position;
FIG. 2 is a front view thereof;
FIG. 3 is a rear view thereof;
FIG. 4 is a left side view thereof;
FIG. 5 is a right side view thereof;
FIG. 6 is a top view thereof;
FIG. 7 is a bottom view thereof;
FIG. 8 is another perspective view of the bracelet, shown in an open position; and,
FIG. 9 is another front view of the bracelet, shown in an open position.

1 Claim, 8 Drawing Sheets



(56)

References Cited

U.S. PATENT DOCUMENTS

D576,066 S * 9/2008 Barrickman D11/8
D690,058 S * 9/2013 Littrell D11/11

* cited by examiner

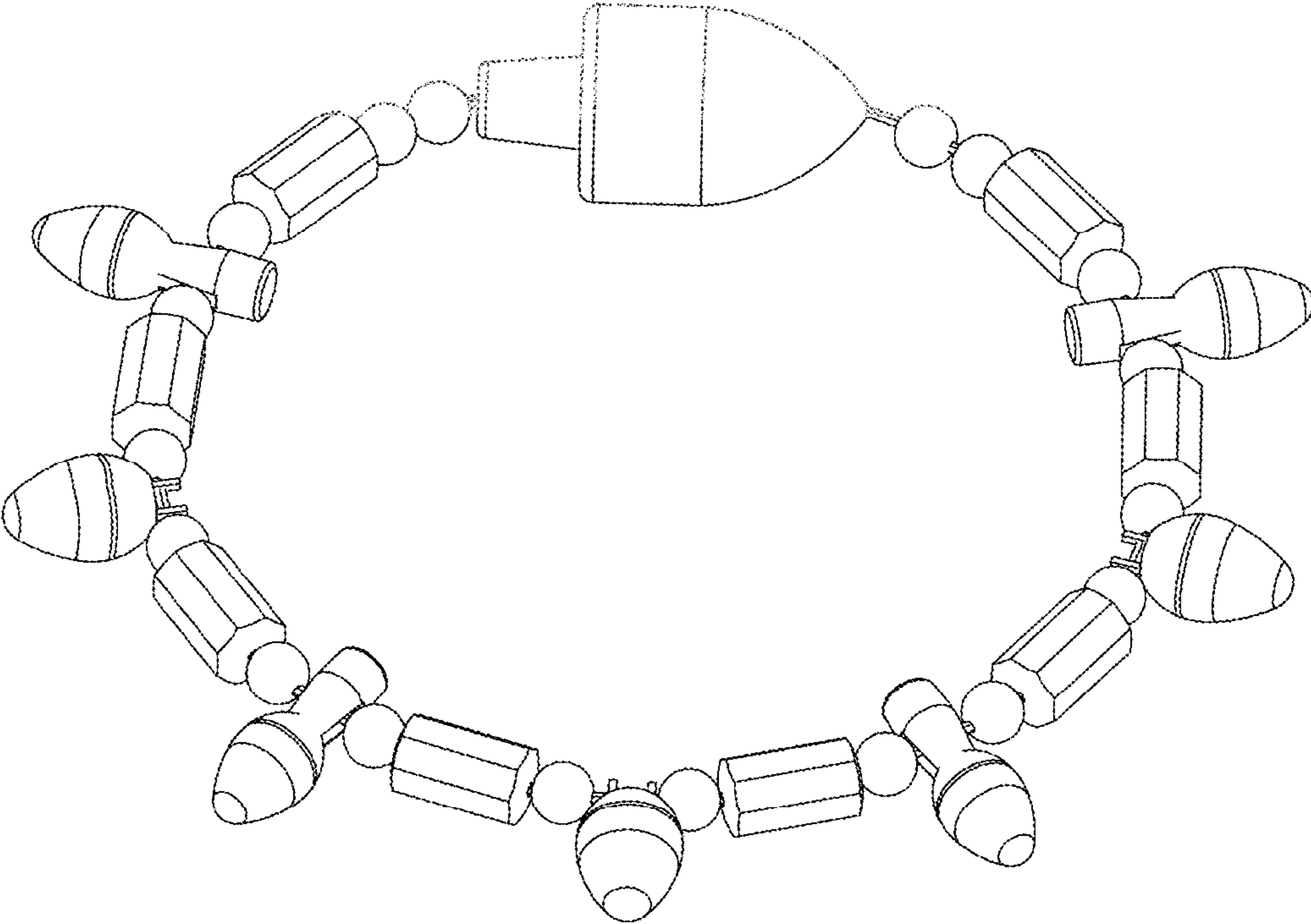


FIG.1

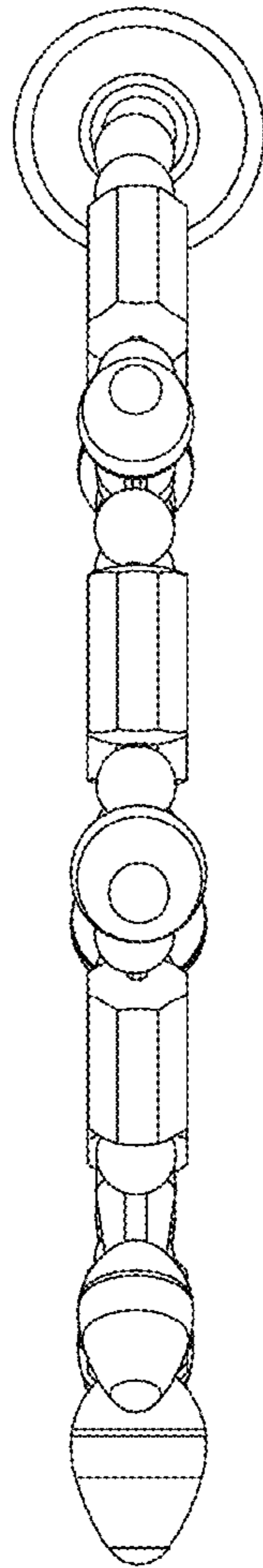


FIG.4

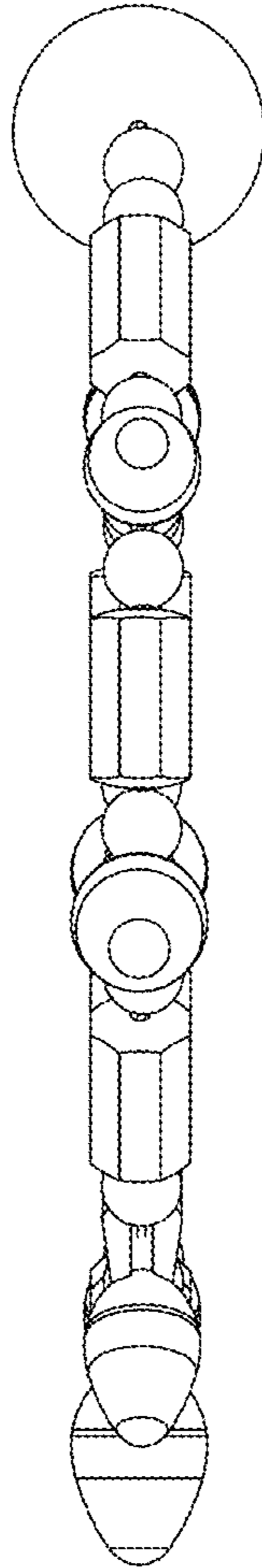


FIG.5

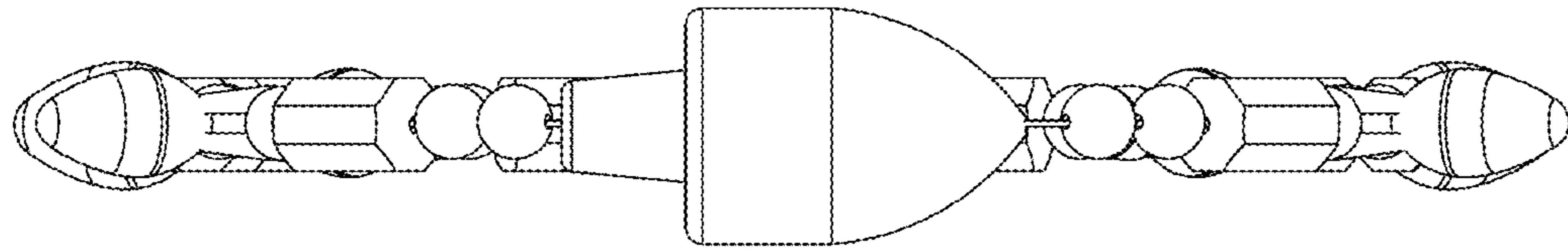


FIG. 6

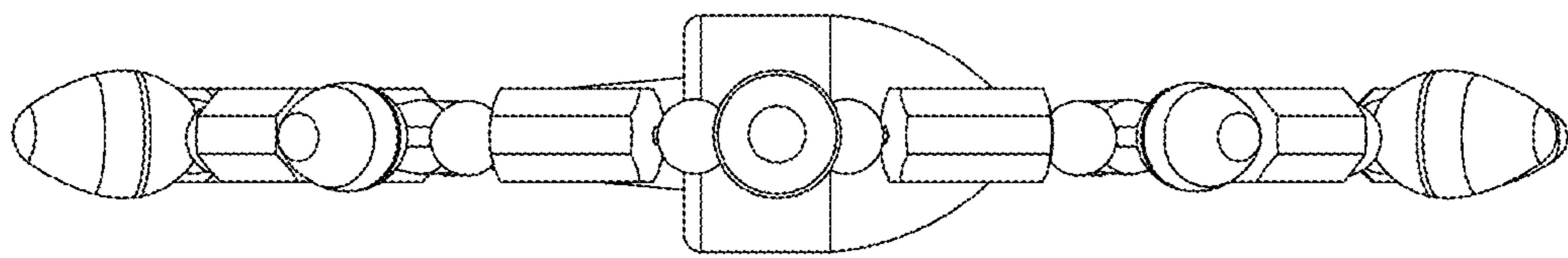


FIG. 7

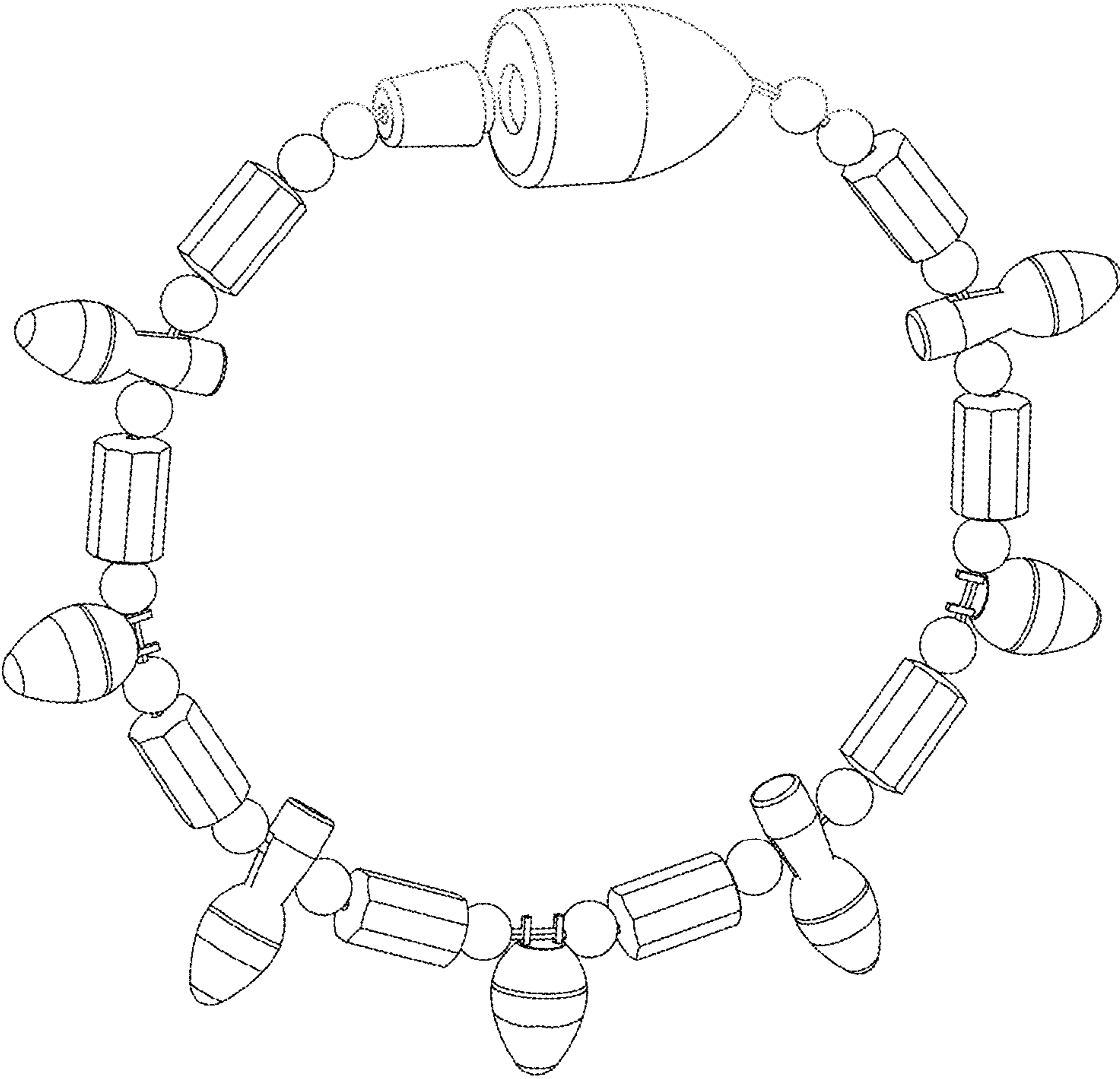


FIG.8

