



US00D817210S

(12) **United States Design Patent**
Monachon

(10) **Patent No.:** **US D817,210 S**
(45) **Date of Patent:** **** May 8, 2018**

- (54) **DIAL**
- (71) Applicant: **OMEGA LTD.**, Biel/Bienne (CH)
- (72) Inventor: **Jean-Claude Monachon**, Bevaix (CH)
- (73) Assignee: **OMEGA LTD.**, Biel/Bienne (CH)
- (**) Term: **15 Years**
- (21) Appl. No.: **29/608,777**
- (22) Filed: **Jun. 26, 2017**

- D568,769 S * 5/2008 Emch Ducommun D10/32
- D590,274 S * 4/2009 Monachon D10/128
- D619,486 S * 7/2010 Cerrato D10/126
- D703,568 S * 4/2014 Cerrato D10/126
- D708,076 S * 7/2014 Monachon D10/39
- D708,964 S * 7/2014 Cerrato D10/126
- D710,735 S * 8/2014 Monachon D10/126
- D733,583 S * 7/2015 Monachon D10/126
- D736,654 S * 8/2015 Monachon D10/126
- D736,655 S * 8/2015 Monachon D10/126
- D745,834 S * 12/2015 Behling D10/126

(Continued)

(30) **Foreign Application Priority Data**

Dec. 29, 2016 (WO) DM/094 101

(51) **LOC (11) Cl.** **10-07**

(52) **U.S. Cl.**
USPC **D10/126**

(58) **Field of Classification Search**

USPC D10/1-2, 6-10, 14-15, 22, 30-39, 65,
D10/70, 97-98, 122-126, 128; D14/344;
D24/167, 186

CPC G04B 19/00; G04B 19/025; G04B 19/04;
G04B 19/046; G04B 19/048; G04B
19/06; G04B 19/08; G04B 19/085; G04B
19/087; G04B 45/0069; G04B 45/0076;
G04B 19/065; G04B 19/082; G04B
19/10; G04B 19/103; G04B 19/106;
G04B 19/12; G04B 19/16; G04B 19/163;
G04B 19/166; G04B 19/18; G04B 19/22;
G04B 19/223; G04B 19/225; G04B
19/226; G04B 19/228; G04B 27/00;
G04B 27/06

See application file for complete search history.

(56) **References Cited**

U.S. PATENT DOCUMENTS

- 5,195,062 A * 3/1993 Masahiro G04B 47/008
368/113
- D536,994 S * 2/2007 Sugisawa D10/31

OTHER PUBLICATIONS

Omega Speedmaster Mark II 2014 | posted at Hodinkee.com Jan. 2014 © 2009-2018, HODINKEE INC. [online][site visited Mar. 13, 2018]. Available from Internet: <<https://www.hodinkee.com/articles/introducing-the-speedmaster-mark-ii-an-update-to-the-1969-space-tested-classic>> (Year: 2014).*

(Continued)

Primary Examiner — Sandra S Snapp
Assistant Examiner — Katherine Glennon
(74) *Attorney, Agent, or Firm* — Abelman, Frayne & Schwab

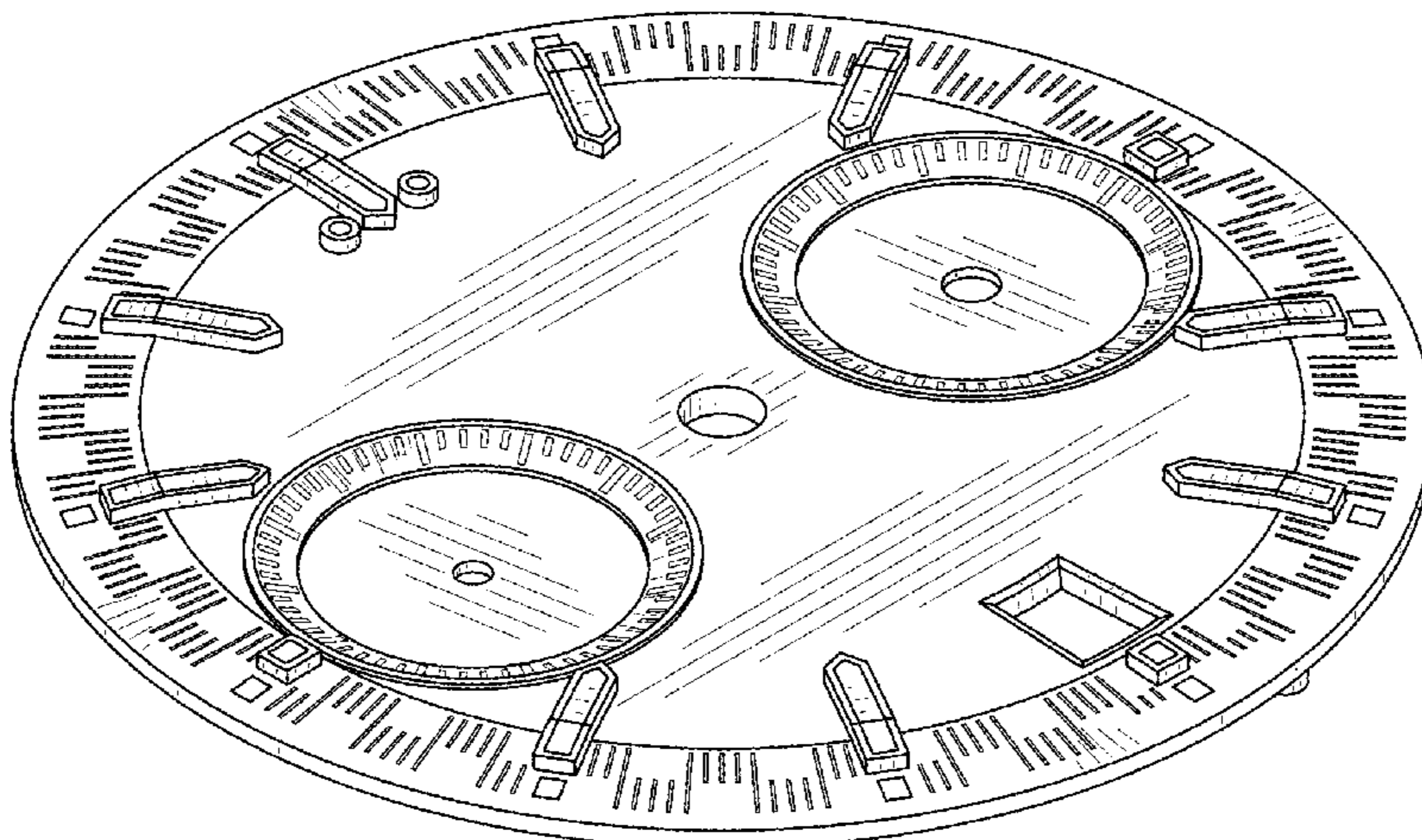
(57) **CLAIM**

The ornamental design for a dial, as shown.

DESCRIPTION

FIG. 1 is a front left perspective view of a dial showing my new design;
FIG. 2 is a front view thereof;
FIG. 3 is a rear view thereof;
FIG. 4 is a left side view thereof;
FIG. 5 is a right side view thereof;
FIG. 6 is a top view thereof;
FIG. 7 is a bottom view thereof; and,
FIG. 8 is a rear perspective view thereof.

1 Claim, 6 Drawing Sheets



(56)

References Cited

U.S. PATENT DOCUMENTS

D746,713 S * 1/2016 Cerrato D10/126
D762,126 S * 7/2016 Izuka D10/126
D768,527 S * 10/2016 Monachon D10/126
D773,333 S * 12/2016 Monachon D10/126
D795,087 S * 8/2017 Monachon D10/30
D795,117 S * 8/2017 Monachon D10/126
2012/0182838 A1 * 7/2012 Farron G04B 27/026
368/18

OTHER PUBLICATIONS

Omega Speedmaster Racing Master Chronometer | posted at Hodinkee.com Mar. 2017 © 2009-2018, HODINKEE INC. [online][site visited Mar. 13, 2018]. Available from Internet: <<https://www.hodinkee.com/articles/omega-speedmaster-racing-master-chronometer-introducing>> (Year: 2017).*

Patek Philippe 1940 Pocket Watch Ref 600 | posted at watchcollectorbychristianbissener.blogspot.com Apr. 2016; watch c. 1940 [online][site visited Mar. 8, 2018]. Available from Internet: <<http://watchcollectorbychristianbissener.blogspot.com/2016/04/patek-philippe-pocket-watch-ref-600.html>> (Year: 1940).*

* cited by examiner

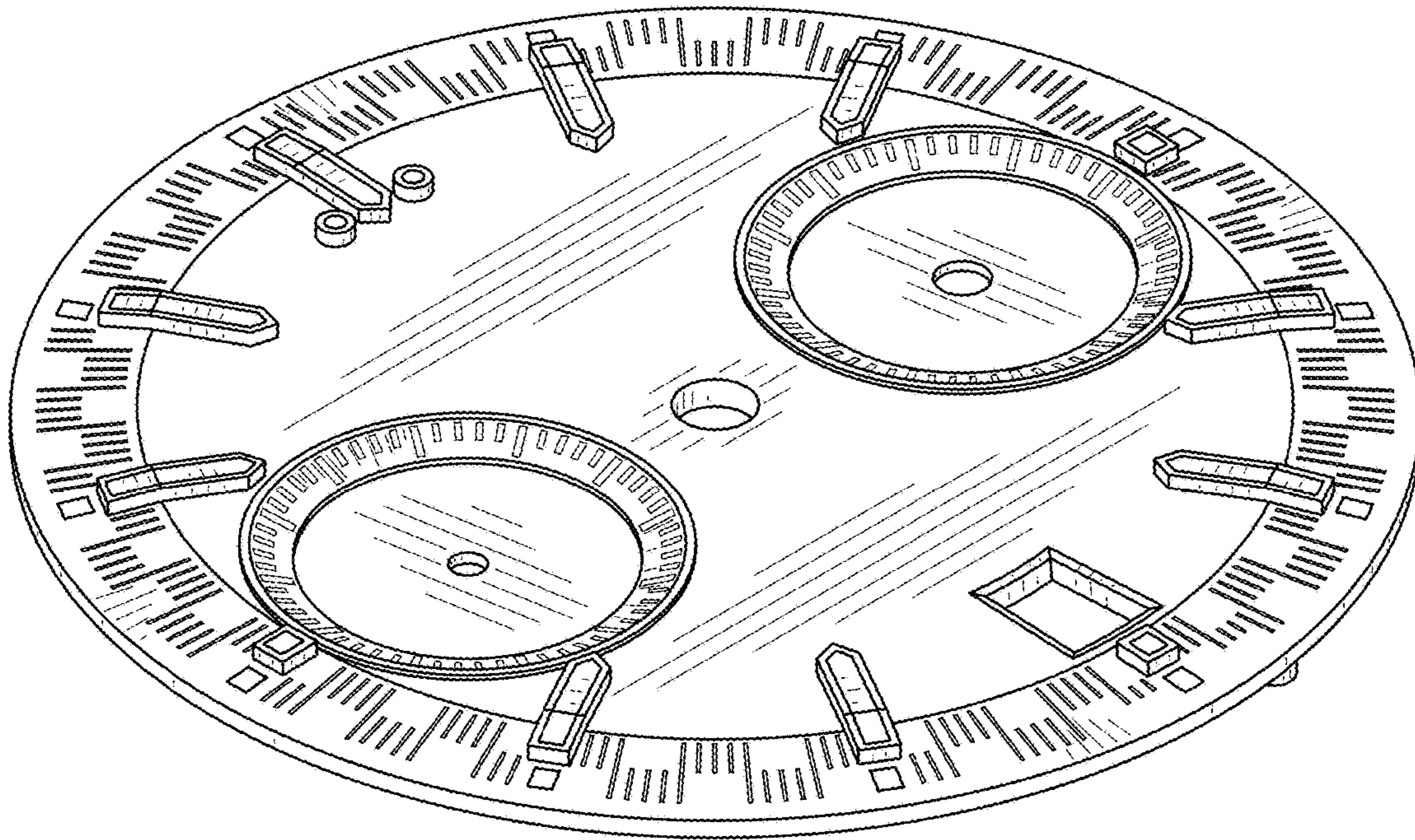


FIG. 1

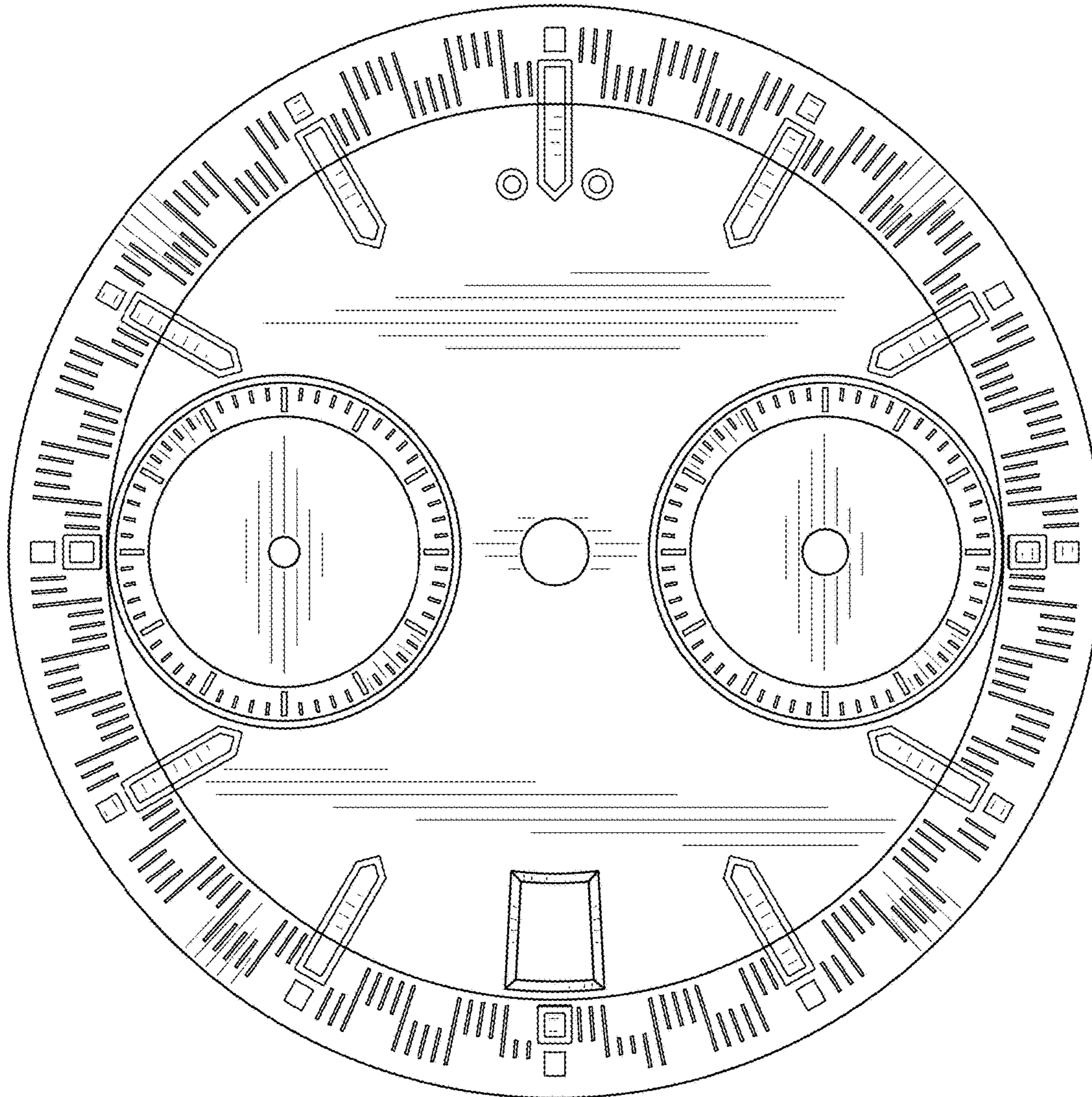


FIG. 2

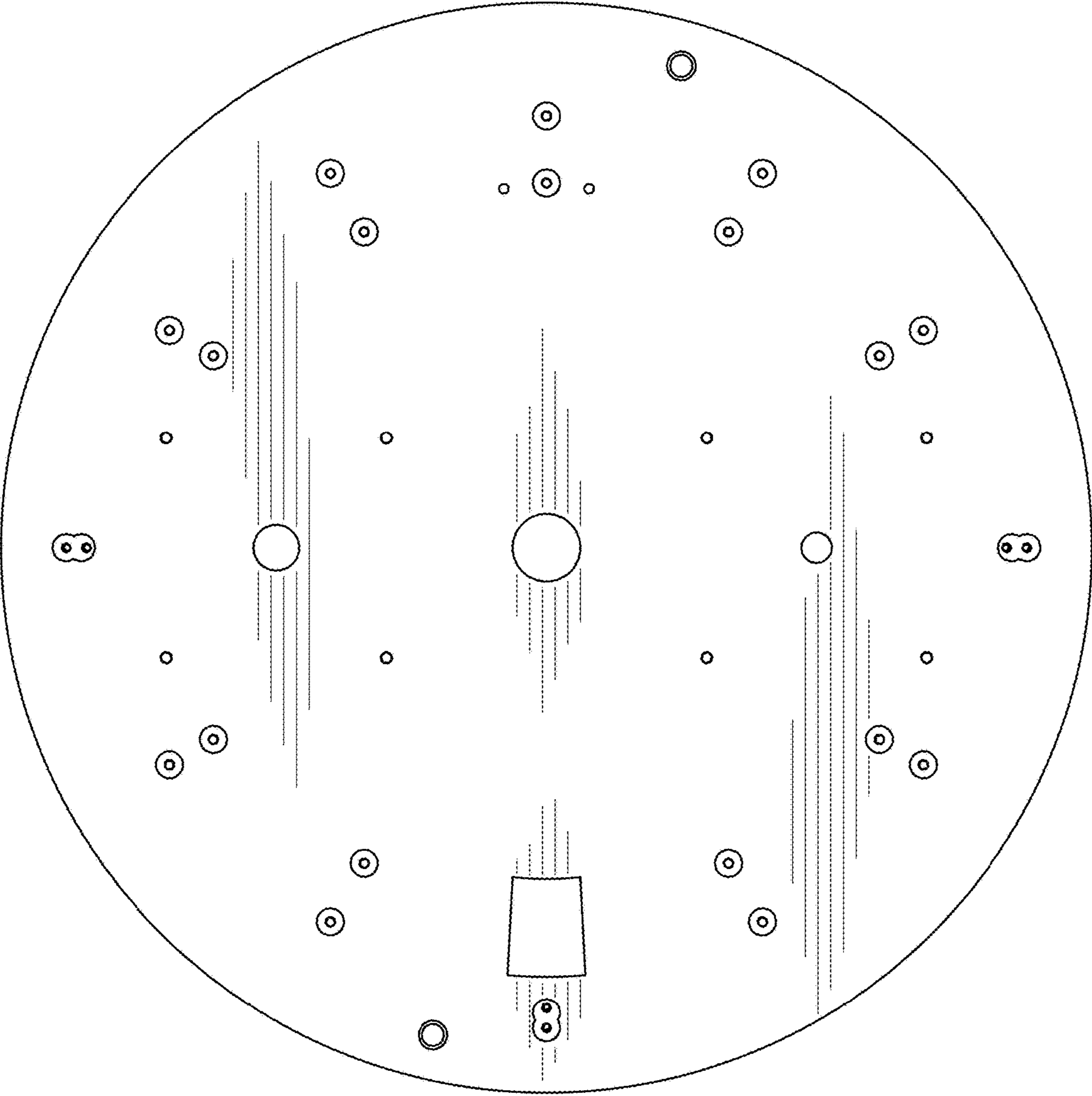


FIG. 3

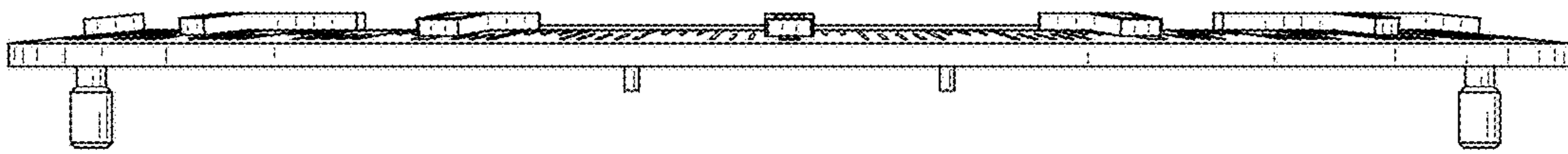


FIG. 4

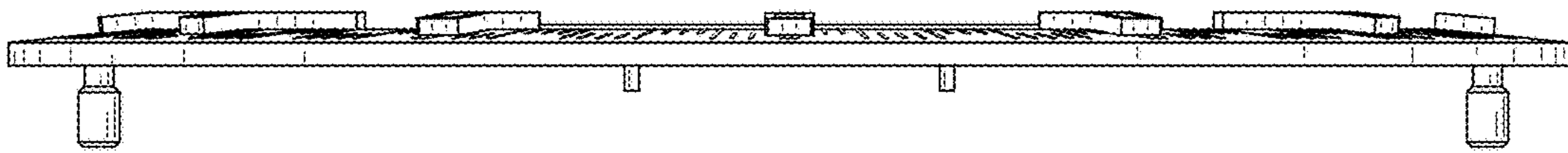


FIG. 5

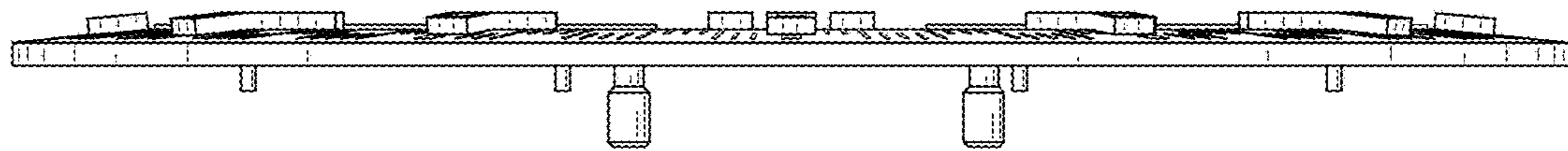


FIG. 6

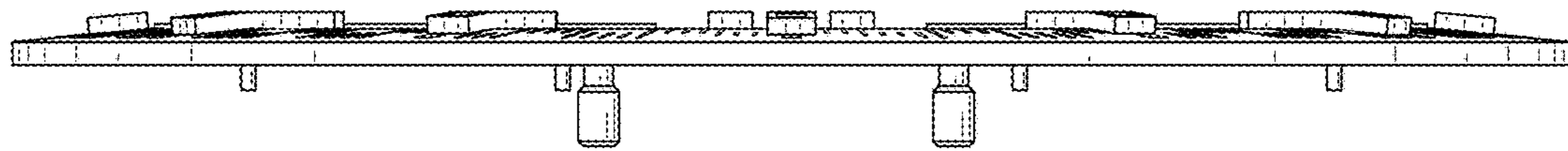


FIG. 7

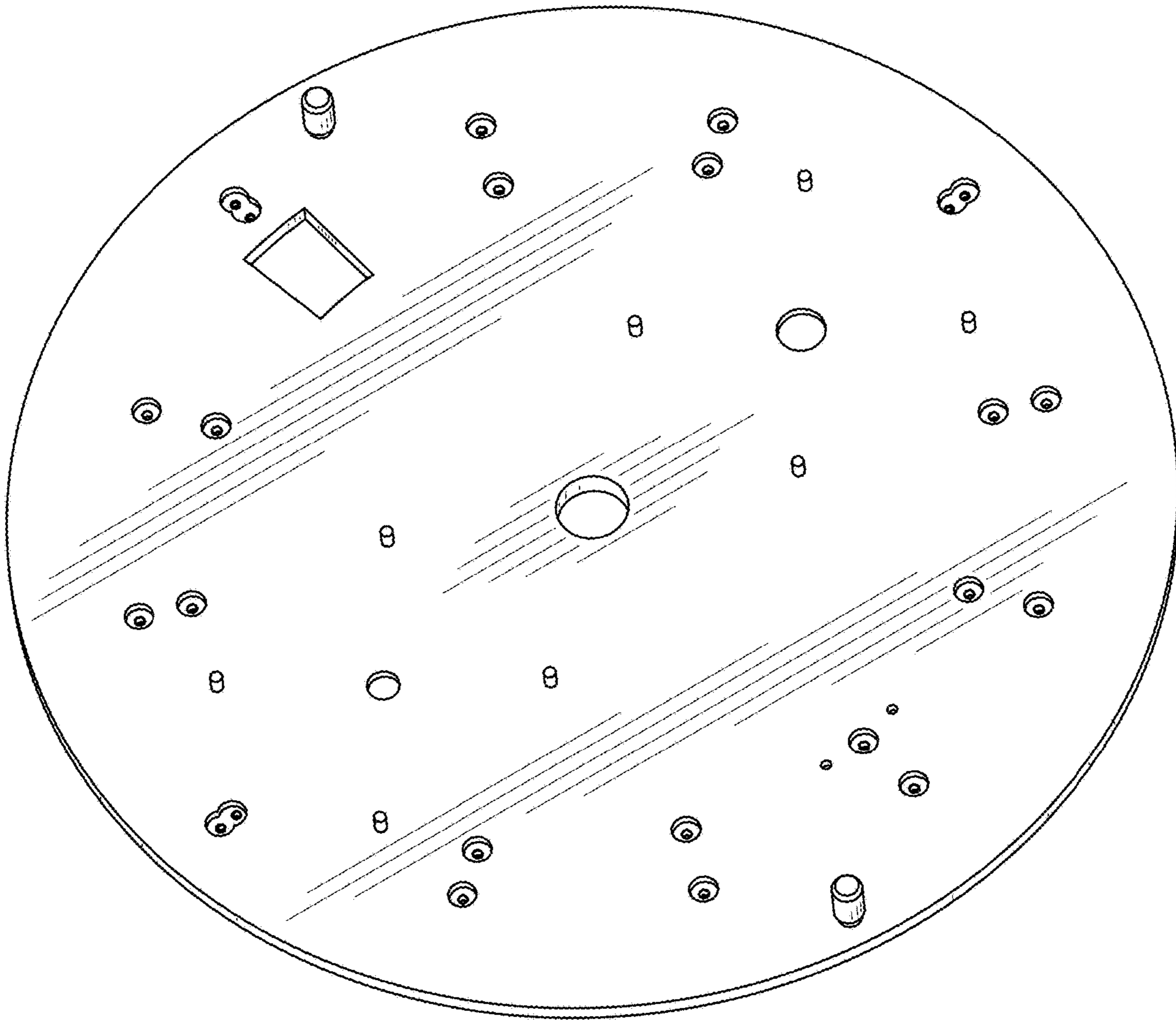


FIG. 8