



US00D817201S

(12) **United States Design Patent**
Palin et al.

(10) **Patent No.:** **US D817,201 S**
(45) **Date of Patent:** **** May 8, 2018**

(54) **DIAL OF A COMPASS**

(56) **References Cited**

(71) Applicant: **Suunto Oy**, Vantaa (FI)

U.S. PATENT DOCUMENTS

(72) Inventors: **Henrik Palin**, Helsinki (FI); **Heikki Naulapää**, Helsinki (FI)

4,890,269 A * 12/1989 Buckner G04B 49/02
33/270

5,721,713 A * 2/1998 Bornand G01C 17/04
368/10

(73) Assignee: **Suunto Oy**, Vantaa (FI)

D773,943 S * 12/2016 Shalem D10/68

(**) Term: **15 Years**

* cited by examiner

(21) Appl. No.: **29/587,566**

Primary Examiner — Antoine Duval Davis

(74) *Attorney, Agent, or Firm* — Terence P. O'Brien

(22) Filed: **Dec. 14, 2016**

(57) **CLAIM**

(51) **LOC (11) Cl.** **10-04**

We claim the ornamental design for a dial of a compass, as shown and described.

(52) **U.S. Cl.**

DESCRIPTION

USPC **D10/74**; D10/68; D10/132

(58) **Field of Classification Search**

USPC D10/68, 74, 131, 132

CPC G01C 17/00; G01C 17/02; G01C 17/04;

G01C 17/06; G01C 17/08; G01C 17/10;

G01C 17/12; G01C 17/14; G01C 17/16;

G01C 17/18; G01C 17/20; G01C 17/22;

G01C 17/24; G01C 17/26; G01C 17/28;

G01C 17/30; G01C 17/32; G01C 17/34;

G01C 17/36; G01C 17/38; G04B 47/065;

G04B 47/066; G04B 47/068; G04B 49/04

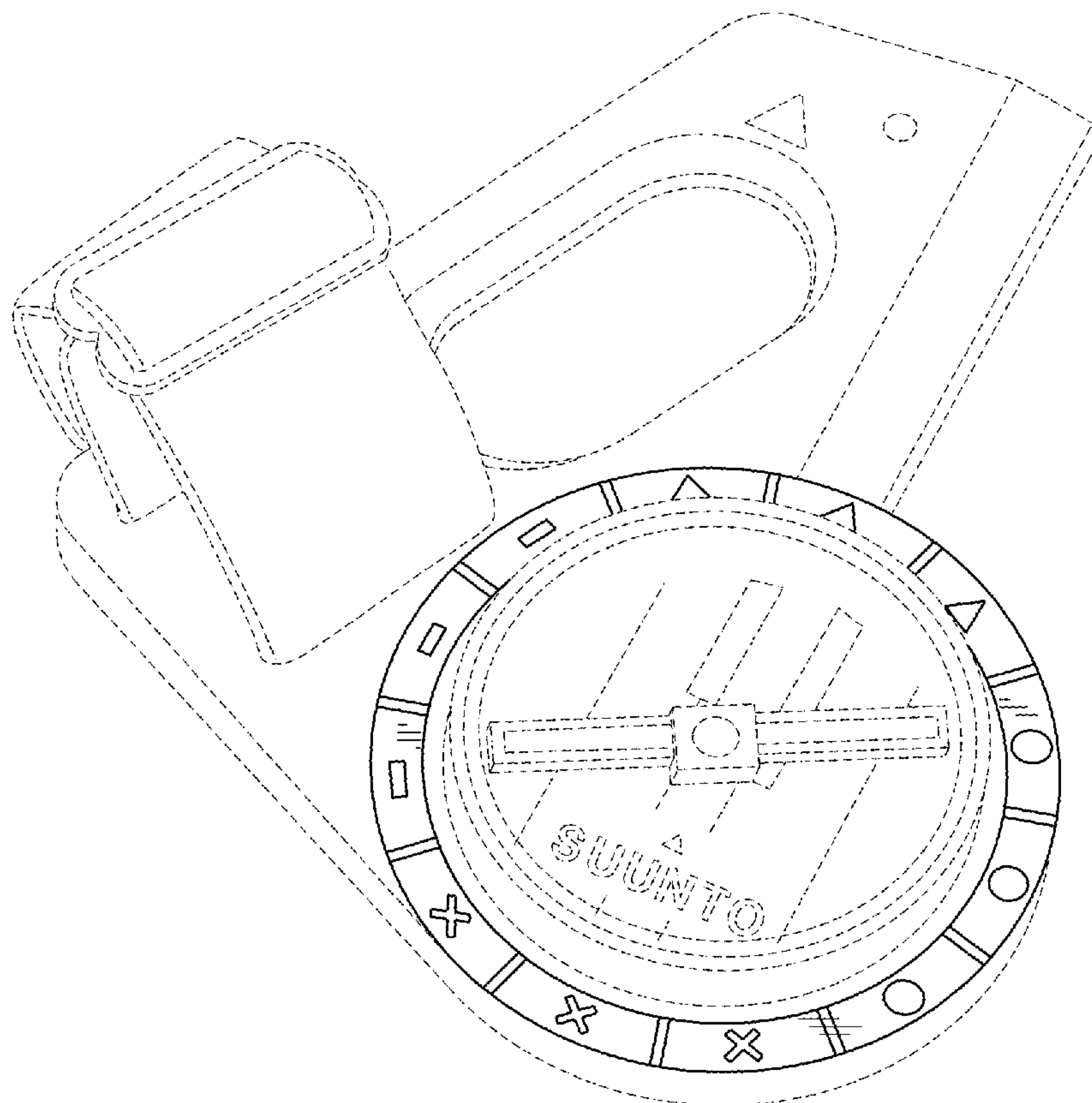
See application file for complete search history.

FIG. 1 is top, side perspective view of a dial of a compass; and,

FIG. 2 is a top view of the dial of FIG. 1.

The ornamental design that is claimed is shown in solid lines in the drawings. The broken (dashed) lines shown in FIGS. 1 and 2 are included for the purpose of illustrating environmental elements only and form no part of the claimed design.

1 Claim, 2 Drawing Sheets



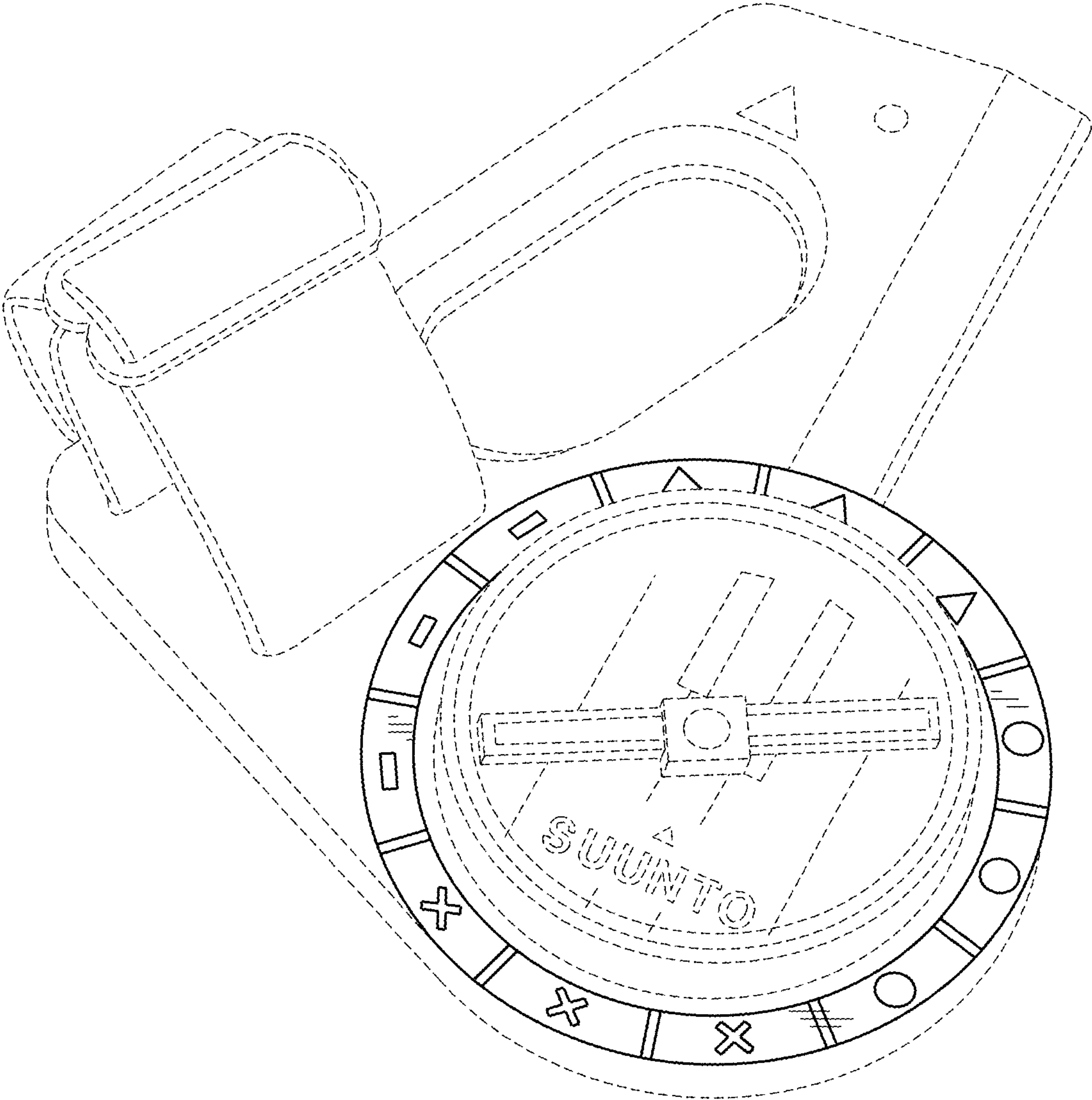


FIG. 1

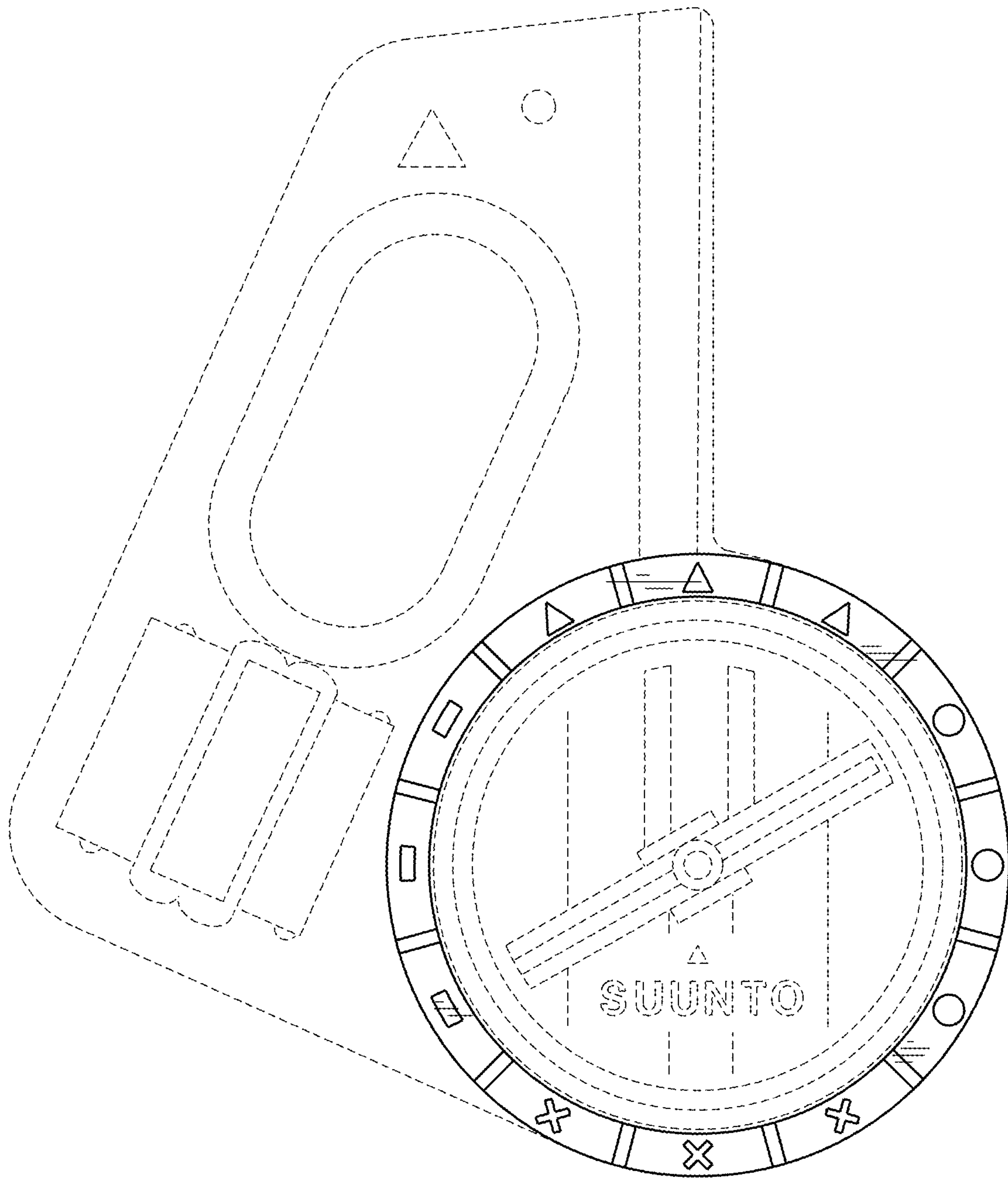


FIG. 2