



US00D817200S

(12) **United States Design Patent** (10) **Patent No.:** **US D817,200 S**  
**Wortelboer et al.** (45) **Date of Patent:** **\*\* May 8, 2018**

(54) **TAPE MEASURE**

(56) **References Cited**

(71) Applicant: **Milwaukee Electric Tool Corporation,**  
Brookfield, WI (US)

U.S. PATENT DOCUMENTS

(72) Inventors: **David Andrew Wortelboer,**  
Milwaukee, WI (US); **Steven W.**  
**Hyma,** Milwaukee, WI (US); **Kyle C.**  
**Anderson,** Milwaukee, WI (US)

9,778,010 B2 \* 10/2017 Reese ..... G01B 3/1041  
9,841,264 B2 \* 12/2017 Kamani ..... G01B 3/1056

(73) Assignee: **Milwaukee Electric Tool Corporation,**  
Brookfield, WI (US)

FOREIGN PATENT DOCUMENTS

TW 433912 5/2001  
TW 566888 12/2003  
TW D132888 1/2010

(\*\*) Term: **15 Years**

OTHER PUBLICATIONS  
Taiwan Search Report for TW Application No. 105303882, dated  
Apr. 21, 2017, 1 page.

(21) Appl. No.: **29/604,250**

\* cited by examiner

(22) Filed: **May 16, 2017**

**Related U.S. Application Data**

(63) Continuation of application No. 29/550,858, filed on  
Jan. 7, 2016, now Pat. No. Des. 787,347.

(57) **CLAIM**

We claim the ornamental design for a tape measure, as  
shown and described.

(51) **LOC (11) Cl.** ..... **10-04**

(52) **U.S. Cl.**  
USPC ..... **D10/72**

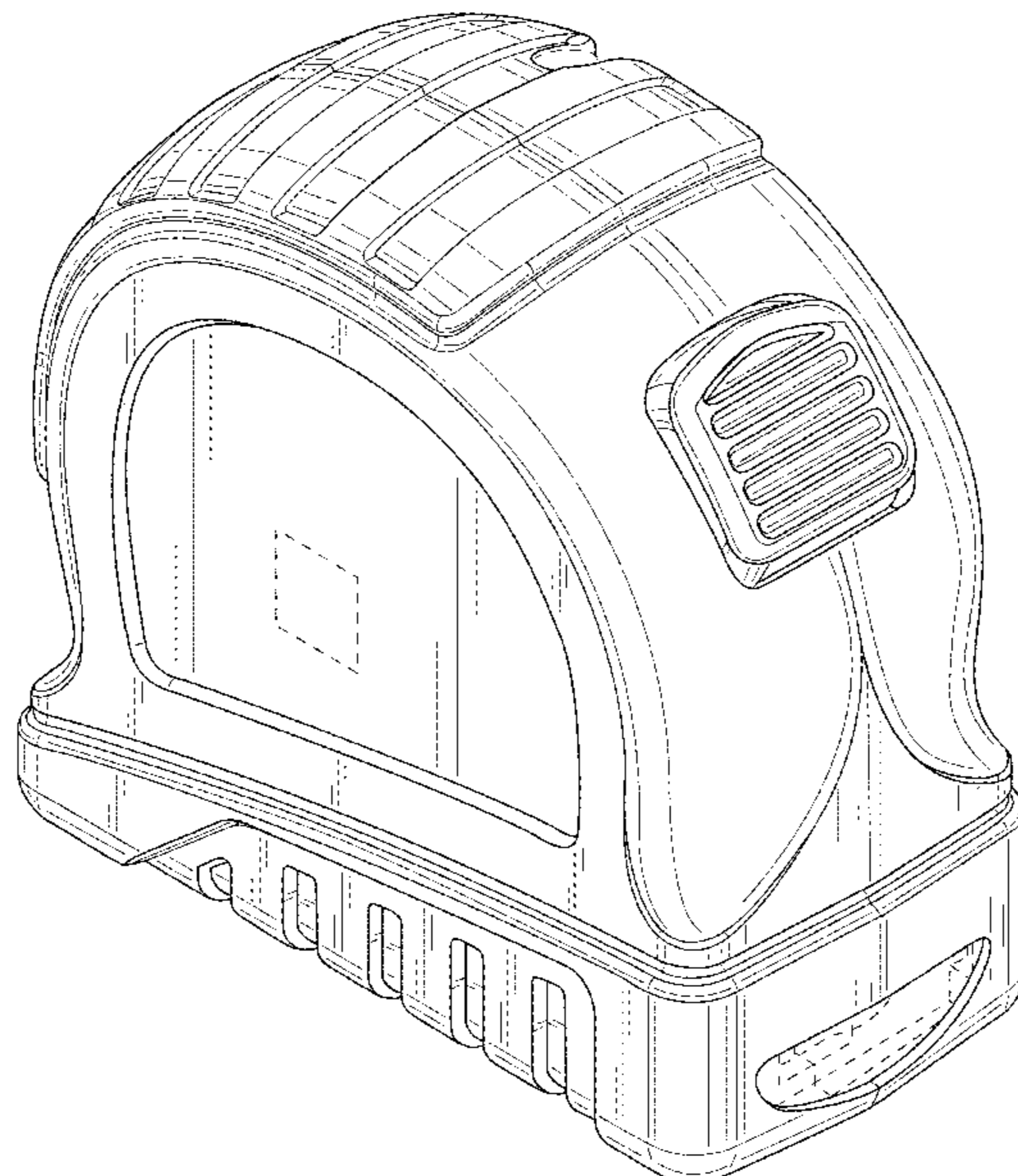
(58) **Field of Classification Search**  
USPC ..... D10/72  
CPC ..... G01B 3/10; G01B 3/1002; G01B 3/1041;  
G01B 2003/1043; G01B 2003/1046;  
G01B 2003/1048; G01B 2003/1051;  
G01B 2003/1053-2003/1097; G01B  
3/1082; G01B 3/1056; G01B 3/563;  
G01B 3/566; G01B 3/1071; G01B  
2003/1041; G07B 3/10

**DESCRIPTION**

FIG. 1 is a perspective view of a tape measure embodying  
the invention;  
FIG. 2 is a front view of the tape measure of FIG. 1;  
FIG. 3 is a rear view of the tape measure of FIG. 1;  
FIG. 4 is a right side view of the tape measure of FIG. 1;  
FIG. 5 is a left side view of the tape measure of FIG. 1;  
FIG. 6 is a top view of the tape measure of FIG. 1; and,  
FIG. 7 is a bottom view of the tape measure of FIG. 1.  
The elements shown in broken lines are included for the  
purpose of illustrating environment and form no part of the  
claimed design.

See application file for complete search history.

**1 Claim, 6 Drawing Sheets**



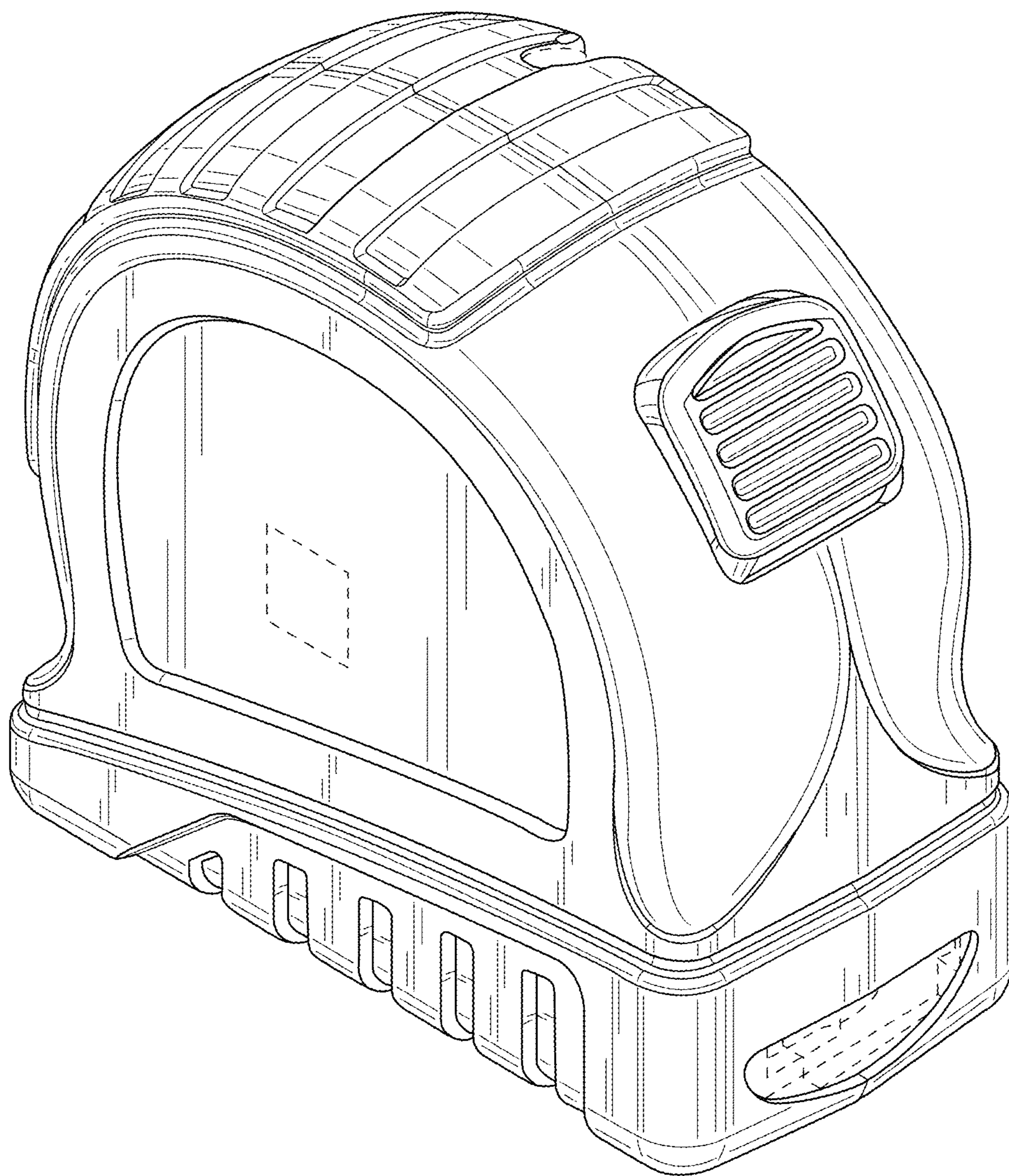


FIG. 1

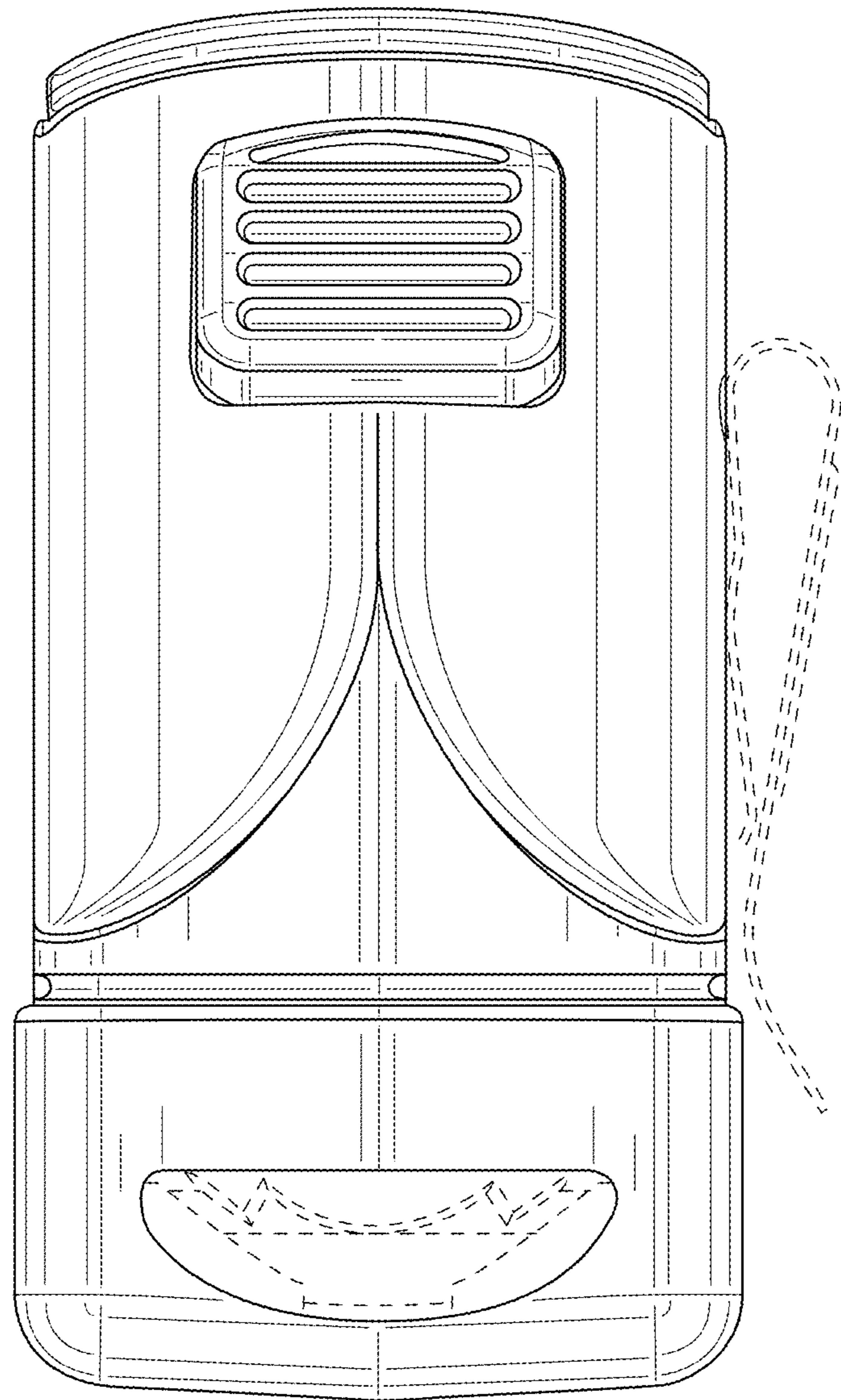
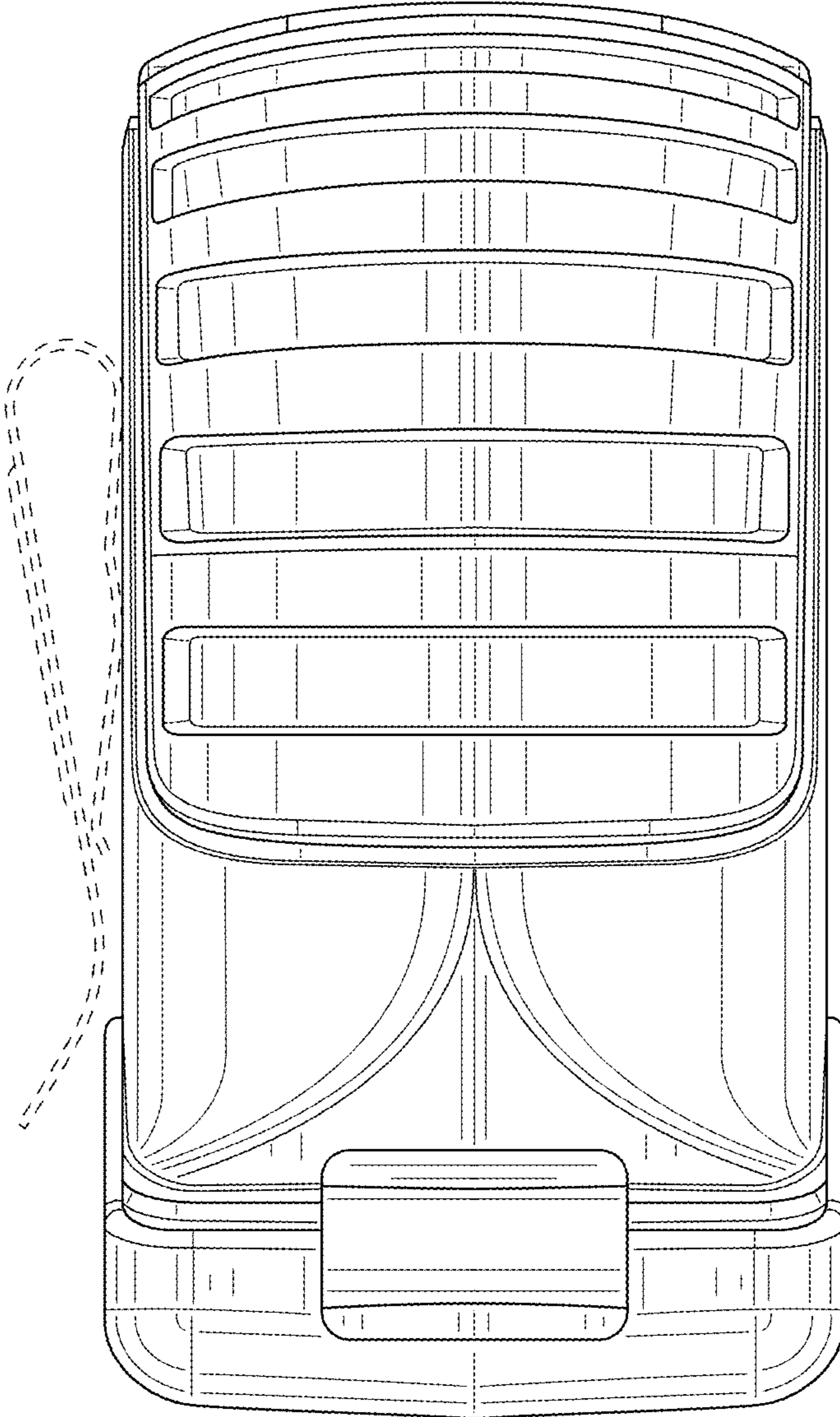


FIG. 2



**FIG. 3**

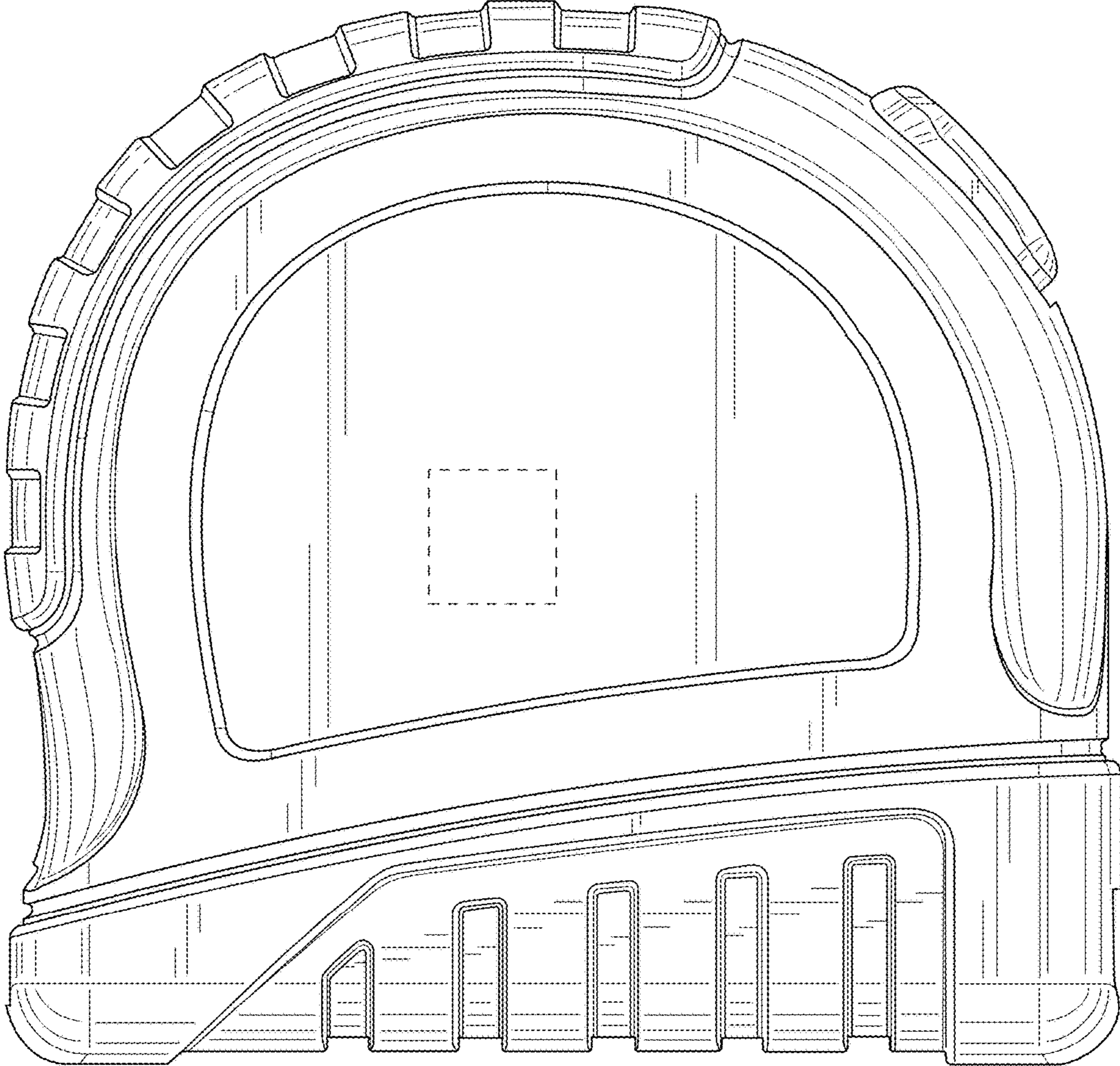


FIG. 4

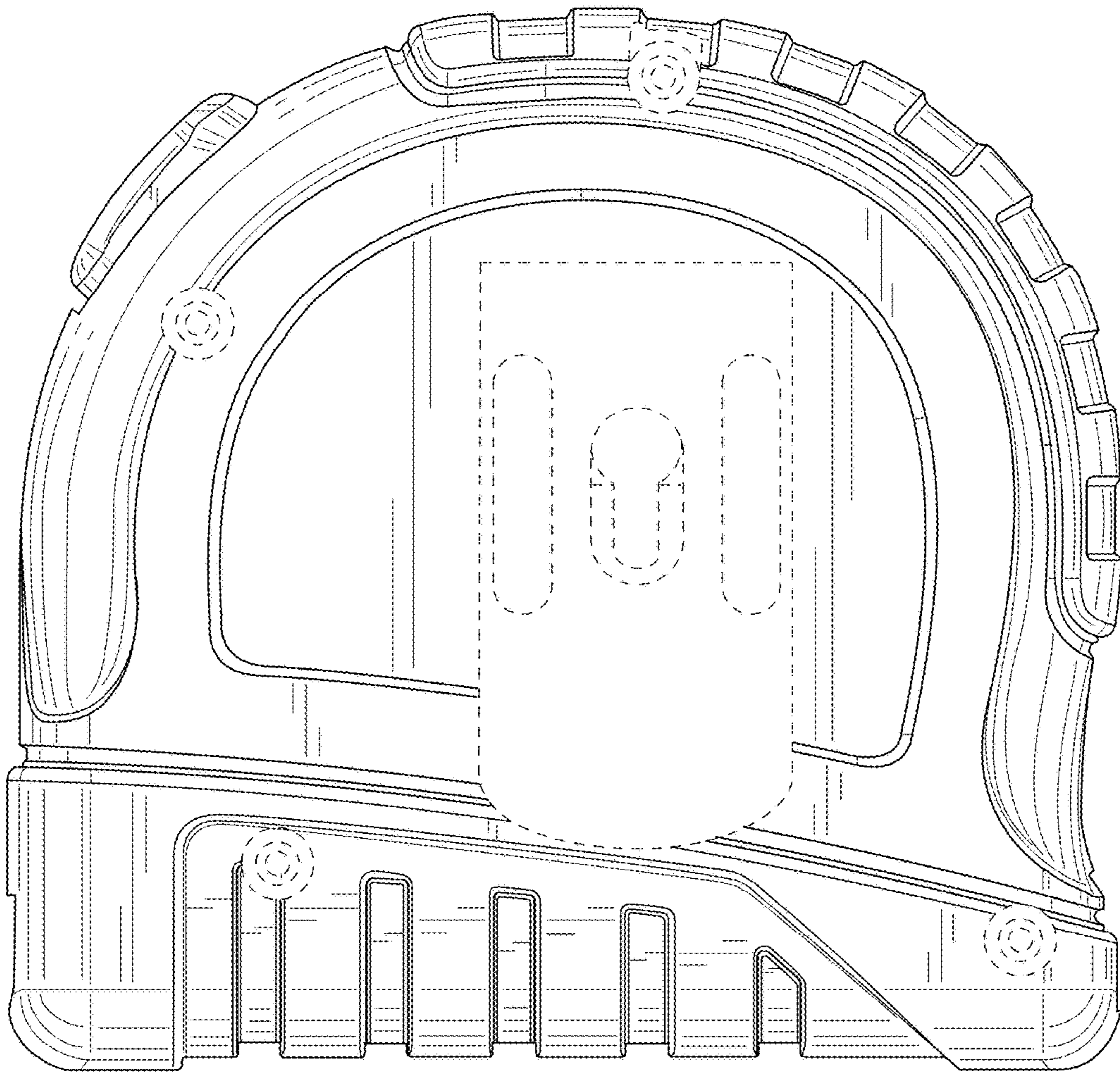


FIG. 5

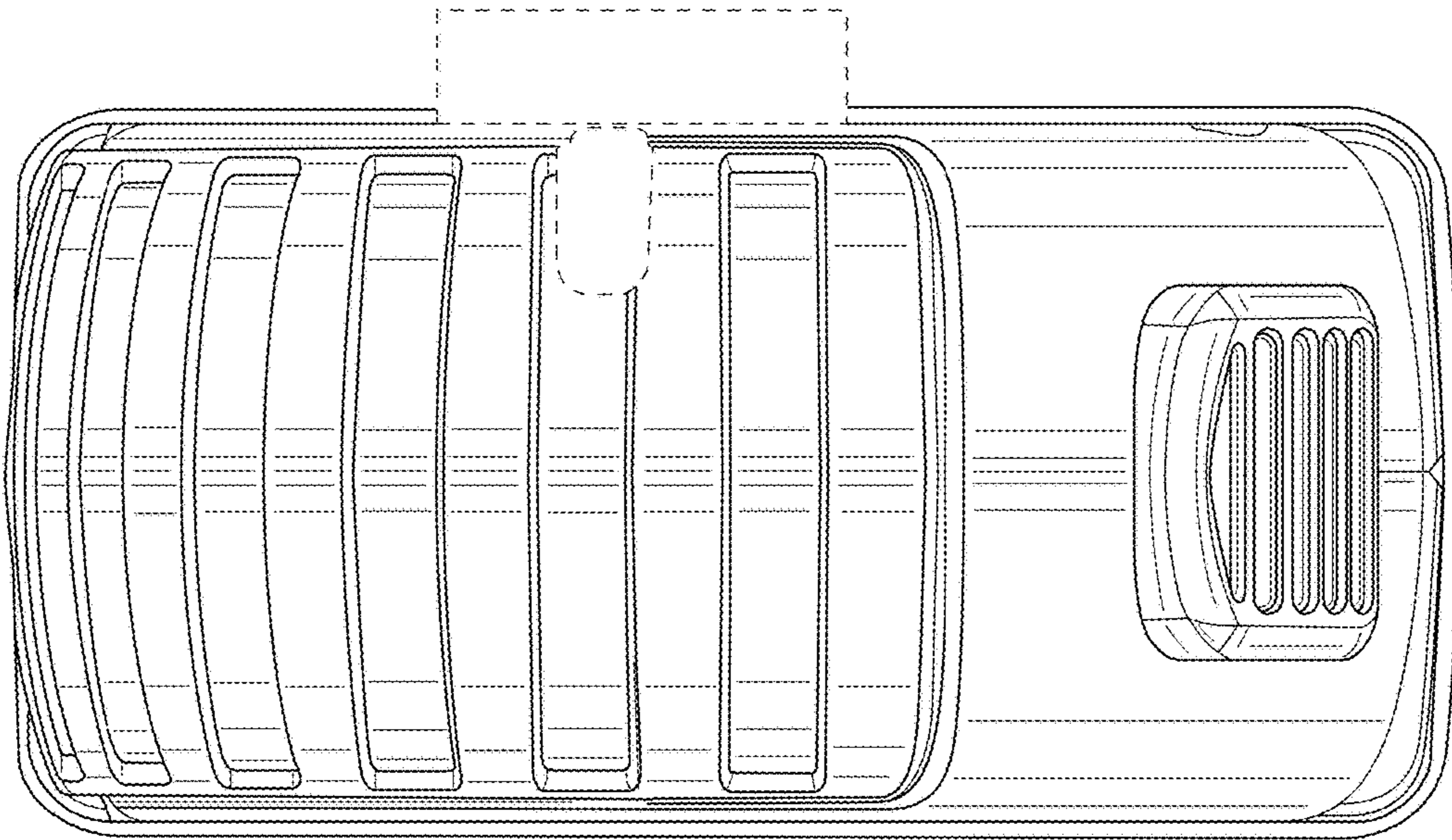


FIG. 6

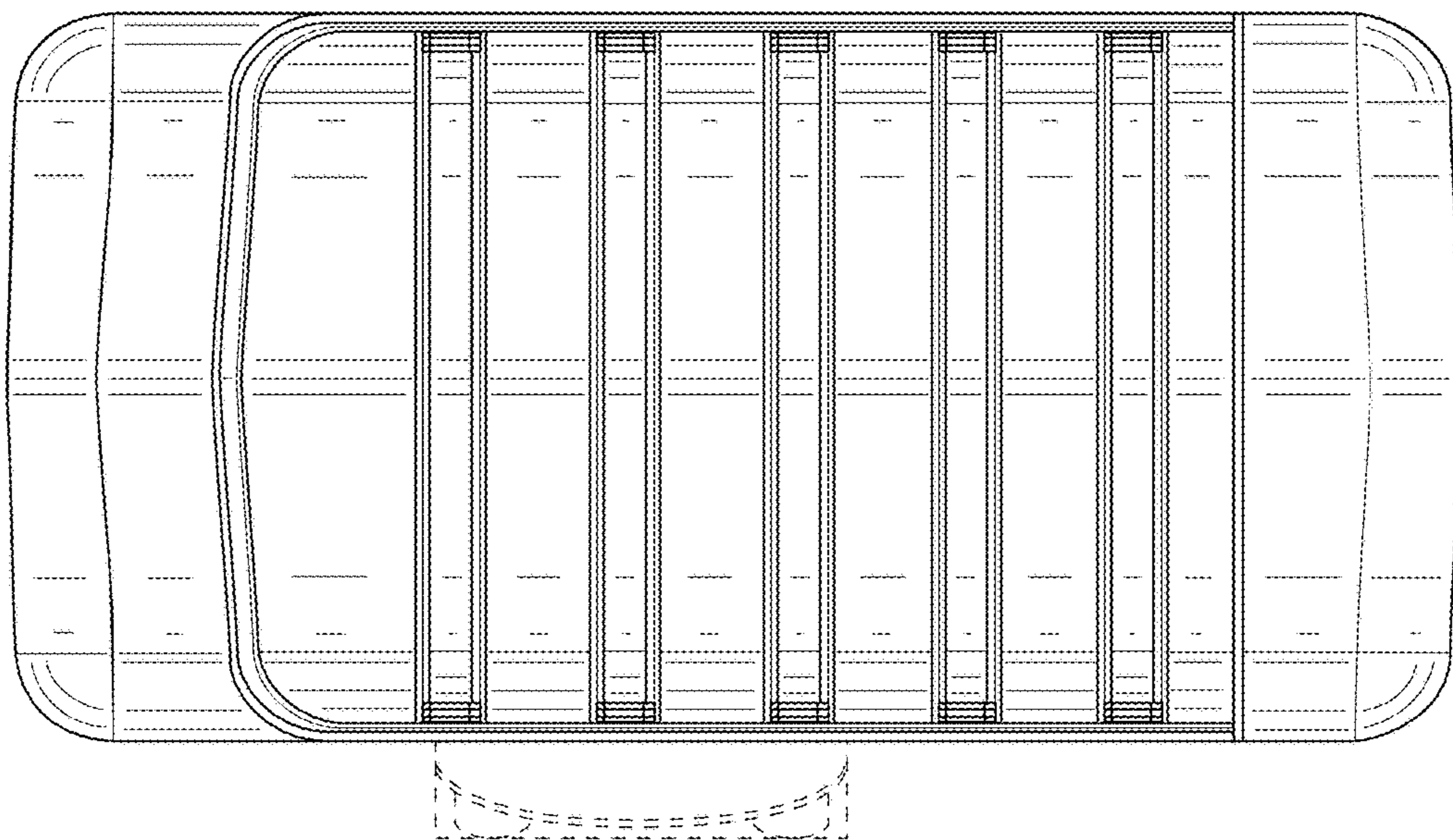


FIG. 7