



US00D817199S

(12) **United States Design Patent** (10) **Patent No.:** **US D817,199 S**  
**Farley et al.** (45) **Date of Patent:** **\*\* May 8, 2018**

(54) **TRACKING DEVICE**

(71) Applicant: **Tile, Inc.**, San Mateo, CA (US)

(72) Inventors: **Michael George Farley**, San Mateo, CA (US); **Mayank Kumar**, San Francisco, CA (US); **Melody Quintana**, San Carlos, CA (US); **Patrick Donnelly**, San Mateo, CA (US); **David Robert Dykes**, Los Altos Hills, CA (US); **Valentin Jean Charles Marcel Sollier**, San Francisco, CA (US); **Yves Behar**, San Francisco, CA (US); **John Mathew Depew**, Sunnyvale, CA (US)

(73) Assignee: **Tile, Inc.**, San Mateo, CA (US)

(\*\*) Term: **15 Years**

(21) Appl. No.: **29/605,066**

(22) Filed: **May 23, 2017**

**Related U.S. Application Data**

(63) Continuation of application No. 29/572,061, filed on Jul. 25, 2016, now Pat. No. Des. 801,200.

(51) **LOC (11) Cl.** ..... **10-04**

(52) **U.S. Cl.**  
USPC ..... **D10/70**; D10/104.2; D10/106.92; D10/106.94

(58) **Field of Classification Search**

USPC ... D10/65, 70, 74, 80, 104.2, 106.9, 106.92, D10/106.93, 106.94

CPC ..... A41D 1/02; A44C 5/0015; A44C 5/02; A44C 5/14; A61B 19/44; A61B 2019/446; A61B 71/00; A61B 5/02416; A61B 5/1118; A61B 2/721; A61B 5/002; A61B 5/112; A61B 5/1122; A61B 5/746; A61B 5/6823; A61B 5/72; A61B 5/7445; A61B 5/0022; A61B 5/14532; A63B 71/06; A63B 26/00; A63B 24/0075; A63B 2071/0663; A63B 71/0686; A63B 24/0062; A63B 24/0084; A63B

2024/0068; A63B 2024/0078; A63B 2024/0056; A63B 2071/0625; A63B 2071/003; A63B 2071/063; A63B 2071/065; A63B 2071/068; A63B 2071/0675; A63B 2220/40; A63B 2220/803; A63B 2220/12; A63B 2220/20; A63B 2220/22; A63B 2220/30; A63B 2225/50; A63B 2225/02; A63B 2225/06; A63B 2230/75; A63B 2024/0065; A63B 2024/0081; A63B 2220/51; A63B 2220/62; A63B 2220/836; G09F 3/005; G06F 1/163;

(Continued)

(56) **References Cited**

U.S. PATENT DOCUMENTS

D778,746 S 2/2017 Renganathan  
9,564,774 B2 2/2017 Daoura et al.

(Continued)

*Primary Examiner* — Antoine Duval Davis

(74) *Attorney, Agent, or Firm* — Fenwick & West LLP

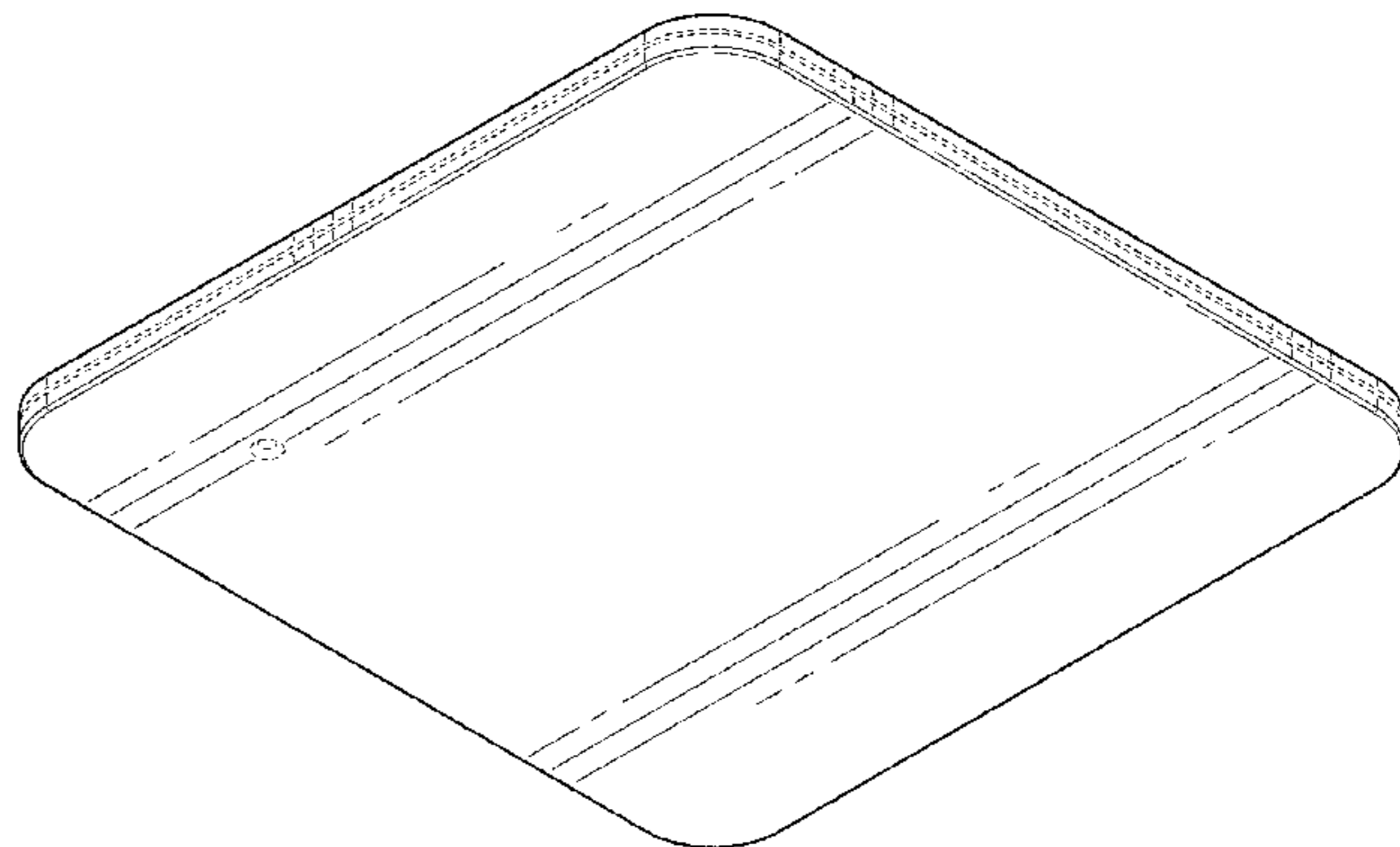
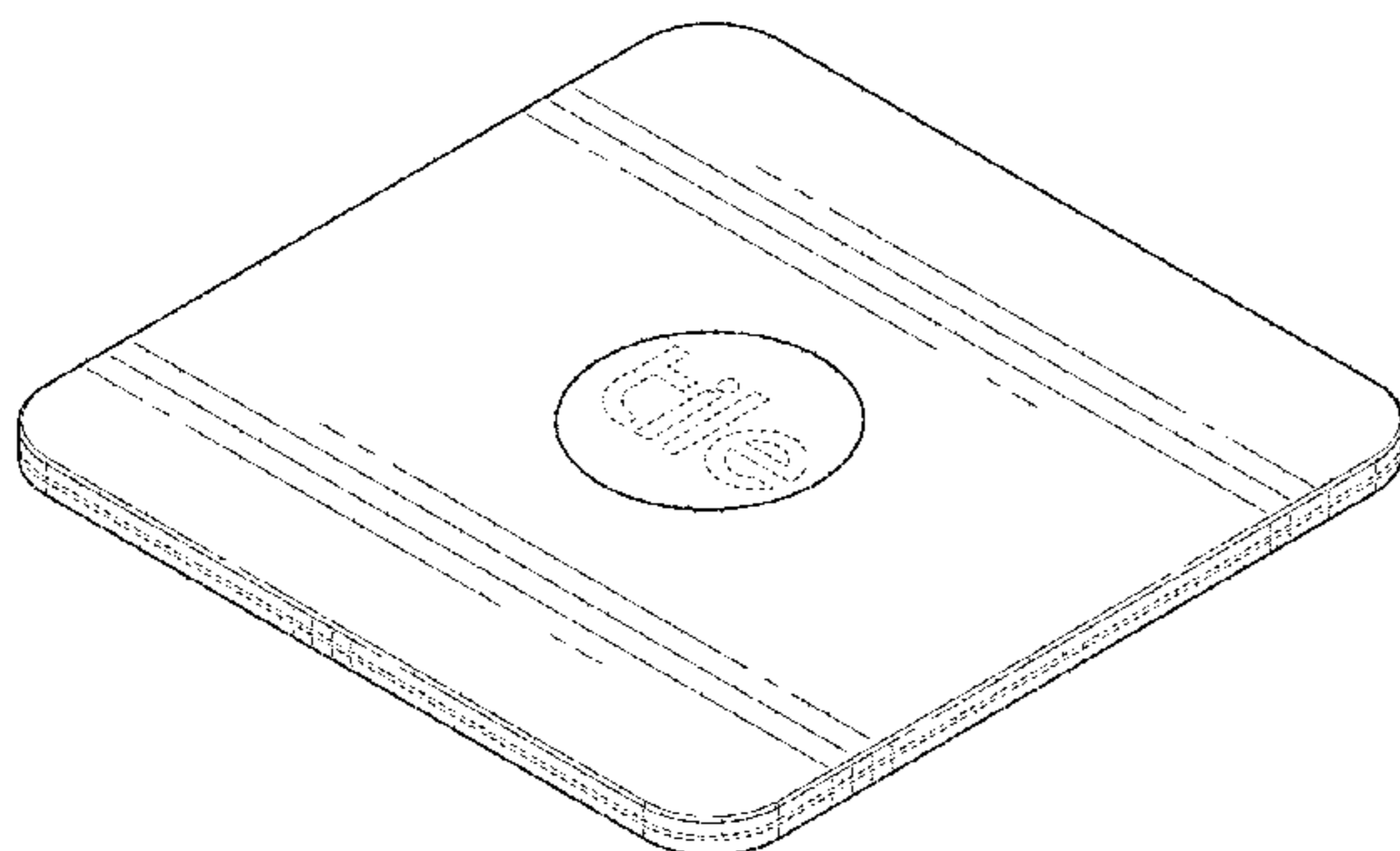
(57) **CLAIM**

The ornamental design for a tracking device, as shown and described.

**DESCRIPTION**

FIG. 1 is a top perspective view of a tracking device; FIG. 2 is a bottom perspective view thereof; FIG. 3 is a front elevational view thereof; FIG. 4 is a rear elevational view thereof; FIG. 5 is a left side elevational view thereof; FIG. 6 is a right side elevational view thereof; FIG. 7 is a top plan view thereof; and, FIG. 8 is a bottom plan view thereof. The broken lines in the drawings showing portions of the tracking device are included for the purpose of illustrating environmental structure and form no part of the claimed design.

**1 Claim, 8 Drawing Sheets**



(58) **Field of Classification Search**

CPC .... G06F 3/038; G06F 3/03547; G04G 17/00;  
G04G 17/08; G04G 17/04; G04G 21/02;  
G04G 21/00; G04G 21/08; G06Q 10/00;  
G06Q 50/00; G09B 9/00; G09B 19/00;  
G04F 10/00; G04B 37/1486

See application file for complete search history.

(56) **References Cited**

U.S. PATENT DOCUMENTS

9,629,574 B2 4/2017 Lee  
D804,971 S \* 12/2017 Heikkila ..... D10/70

\* cited by examiner

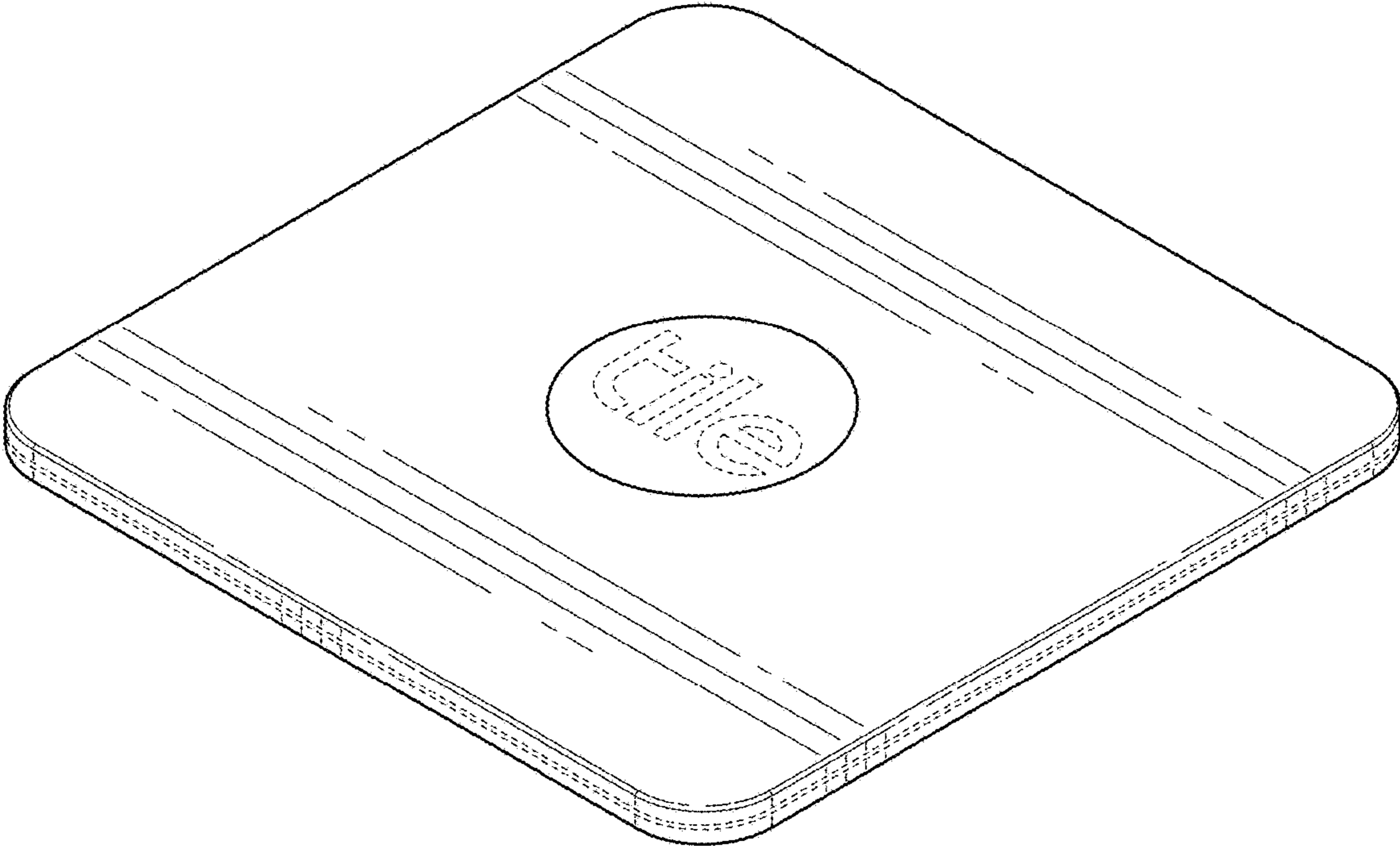


FIG. 1

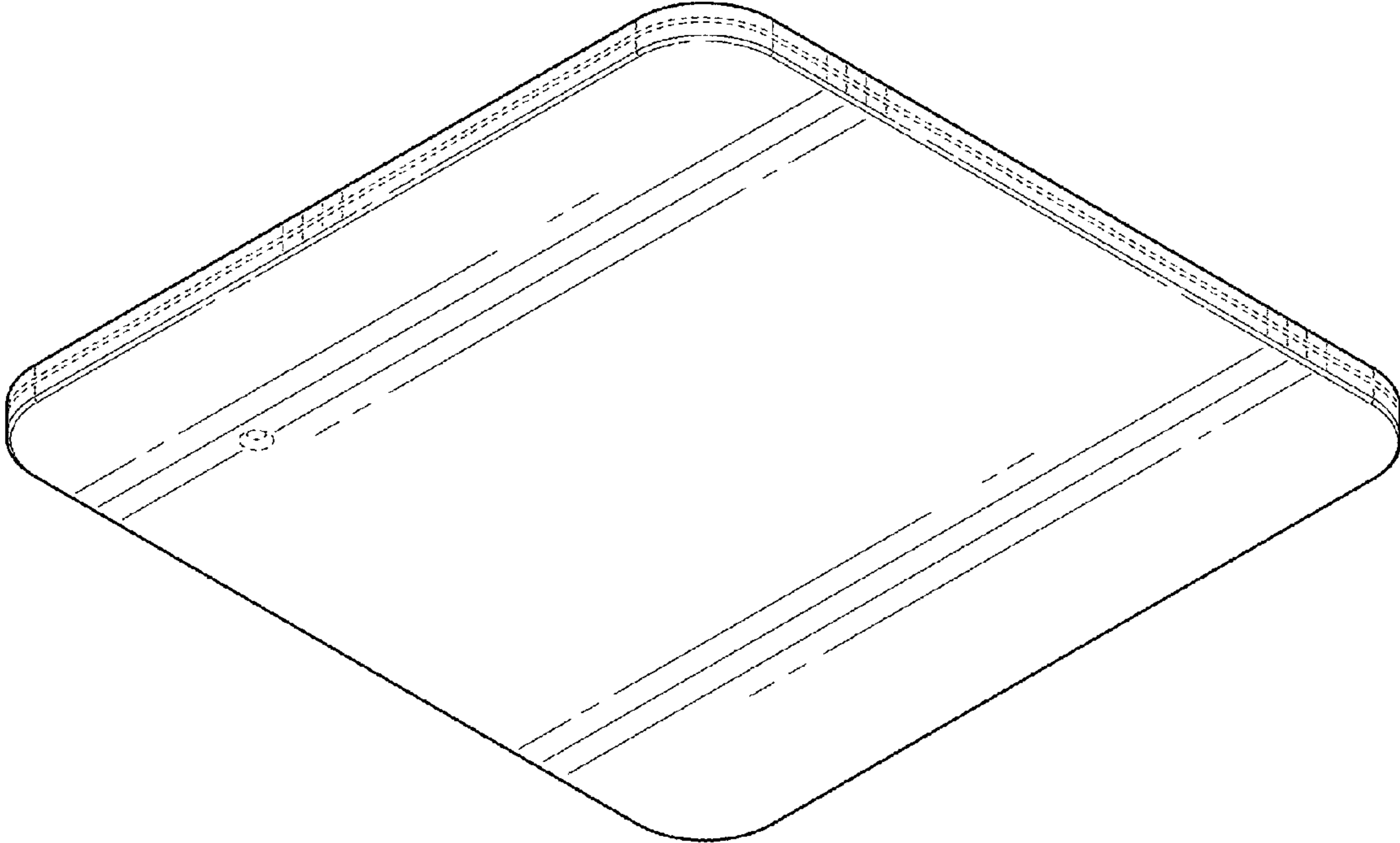


FIG. 2

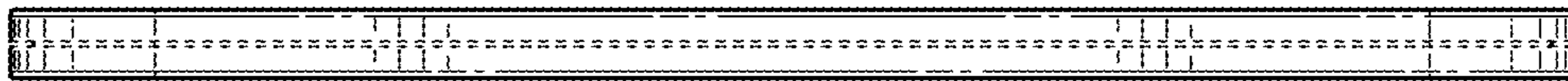


FIG. 3

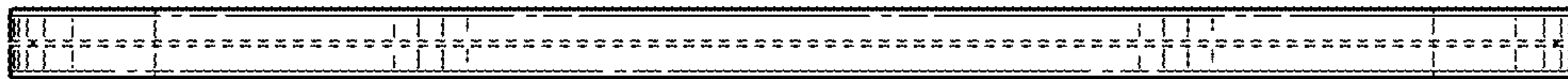


FIG. 4

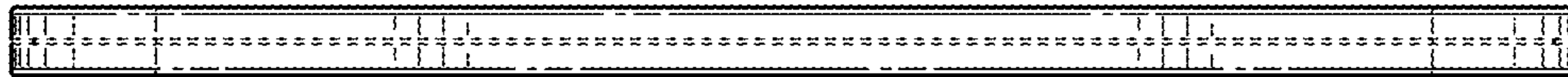


FIG. 5

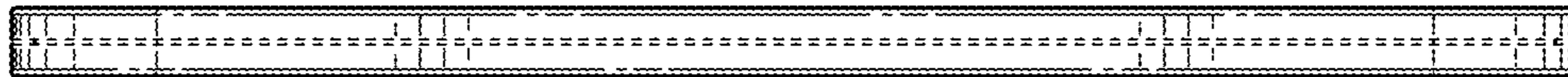


FIG. 6



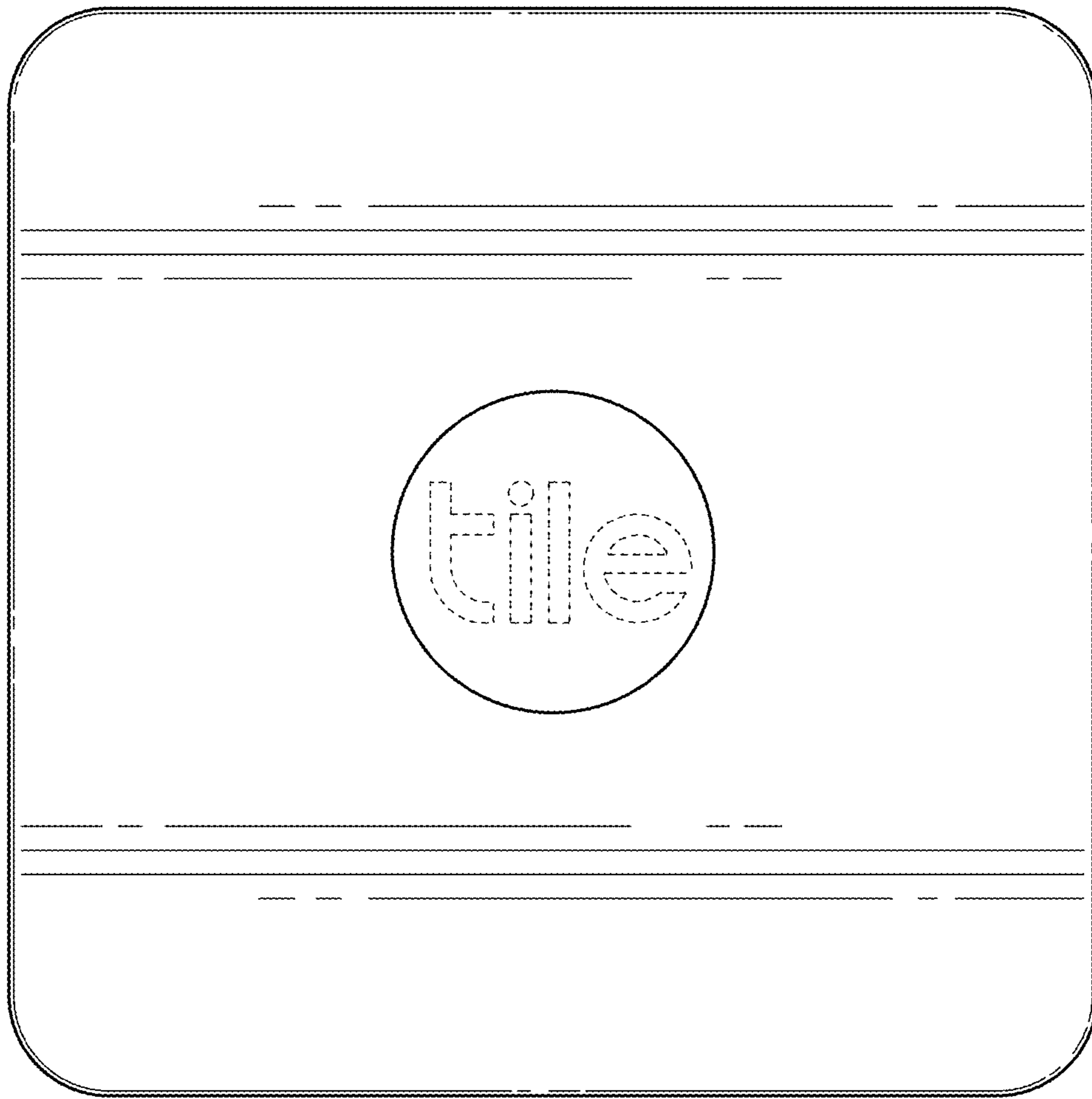


FIG. 7

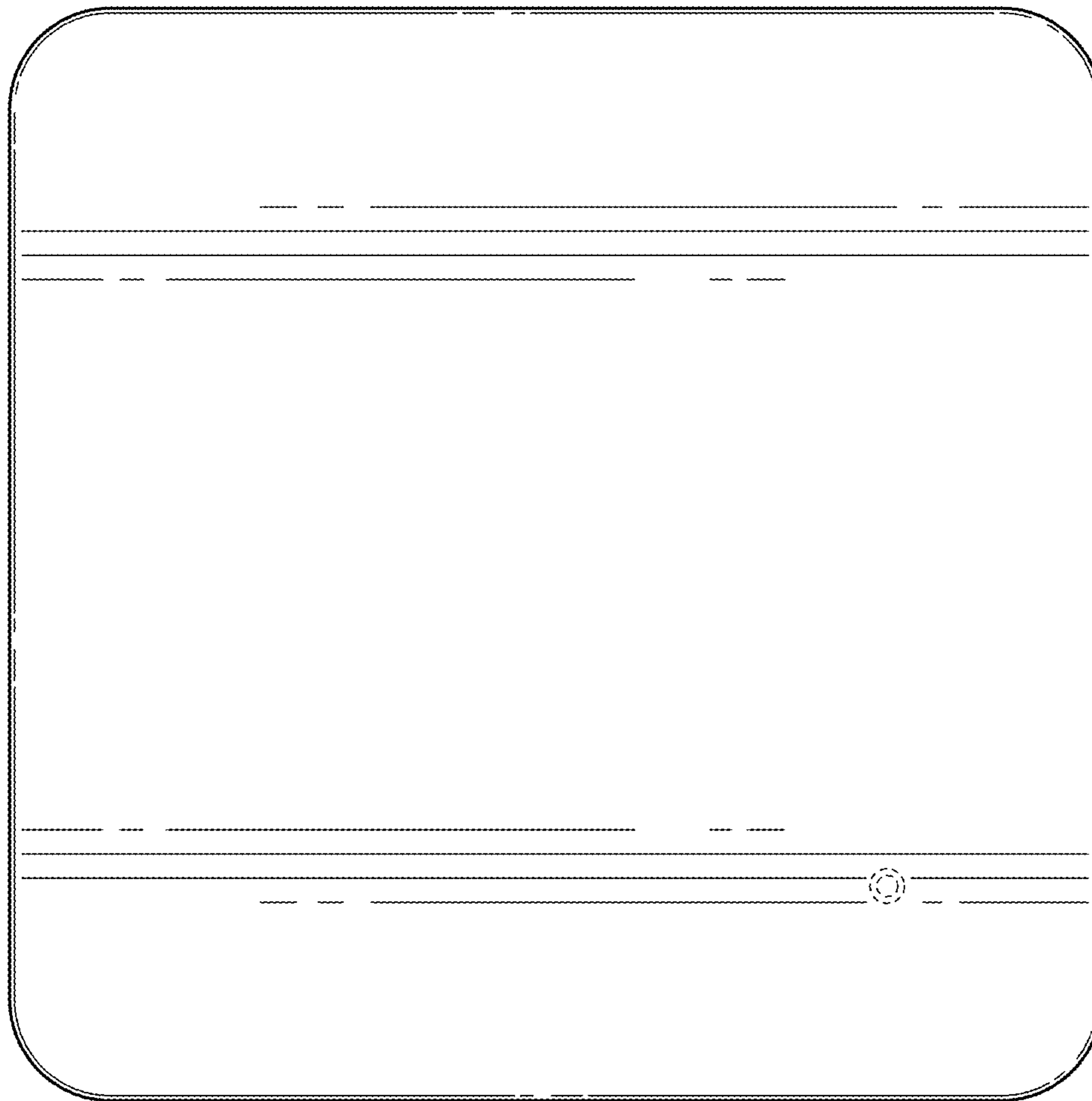


FIG. 8