



US00D817196S

(12) **United States Design Patent**
Haarburger

(10) **Patent No.:** **US D817,196 S**

(45) **Date of Patent:** **** May 8, 2018**

(54) **CARD-SHAPED MULTI-TOOL**

(71) Applicant: **NITE IZE, INC.**, Boulder, CO (US)

(72) Inventor: **Daniel Haarburger**, Boulder, CO (US)

(73) Assignee: **Nite Ize, Inc.**, Boulder, CO (US)

(**) Term: **15 Years**

(21) Appl. No.: **29/589,816**

(22) Filed: **Jan. 4, 2017**

(51) **LOC (11) Cl.** **10-04**

(52) **U.S. Cl.**

USPC **D10/64; D8/19**

(58) **Field of Classification Search**

USPC D10/64; D8/19

CPC A45C 1/06; A45C 11/182; A45C 13/001;

A45C 13/30; A45C 2011/186

See application file for complete search history.

(56) **References Cited**

U.S. PATENT DOCUMENTS

D322,039 S * 12/1991 Chien D10/64

D637,500 S * 5/2011 Corbin D10/64

* cited by examiner

Primary Examiner — Antoine Duval Davis

(74) *Attorney, Agent, or Firm* — Haynes and Boone, LLP

(57) **CLAIM**

The ornamental design for the card-shaped multi-tool, as shown and described.

DESCRIPTION

FIG. 1 shows a front perspective view of a card-shaped multi-tool;

FIG. 2 shows a rear perspective view of the card-shaped multi-tool of FIG. 1;

FIG. 3 shows a front view of the card-shaped multi-tool of FIG. 1;

FIG. 4 shows a rear view of the card-shaped multi-tool of FIG. 1;

FIG. 5 shows a right side view of the card-shaped multi-tool of FIG. 1;

FIG. 6 shows a left side view of the card-shaped multi-tool of FIG. 1;

FIG. 7 shows a bottom view of the card-shaped multi-tool of FIG. 1; and,

FIG. 8 shows a top view of the card-shaped multi-tool of FIG. 1.

1 Claim, 5 Drawing Sheets

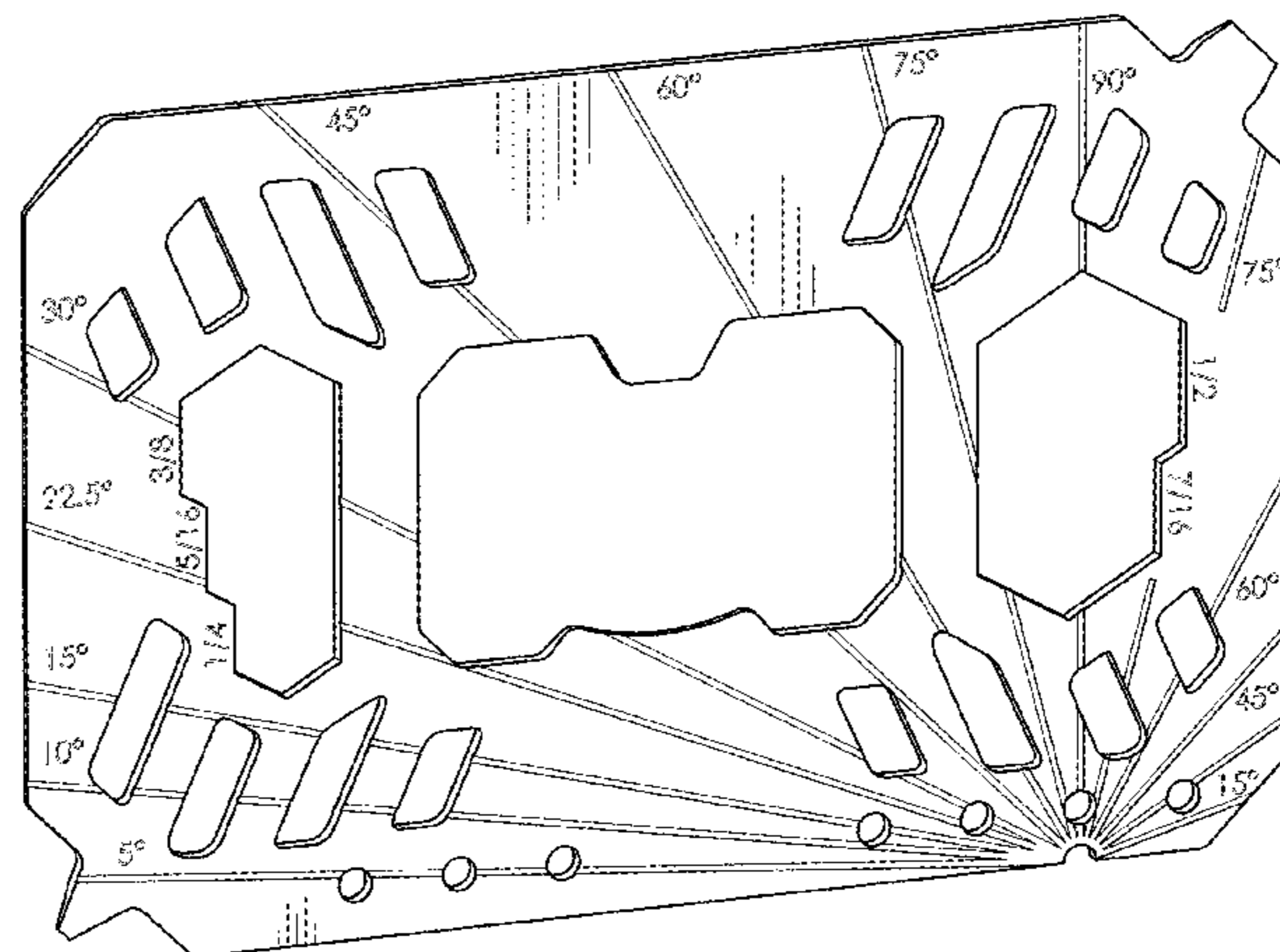
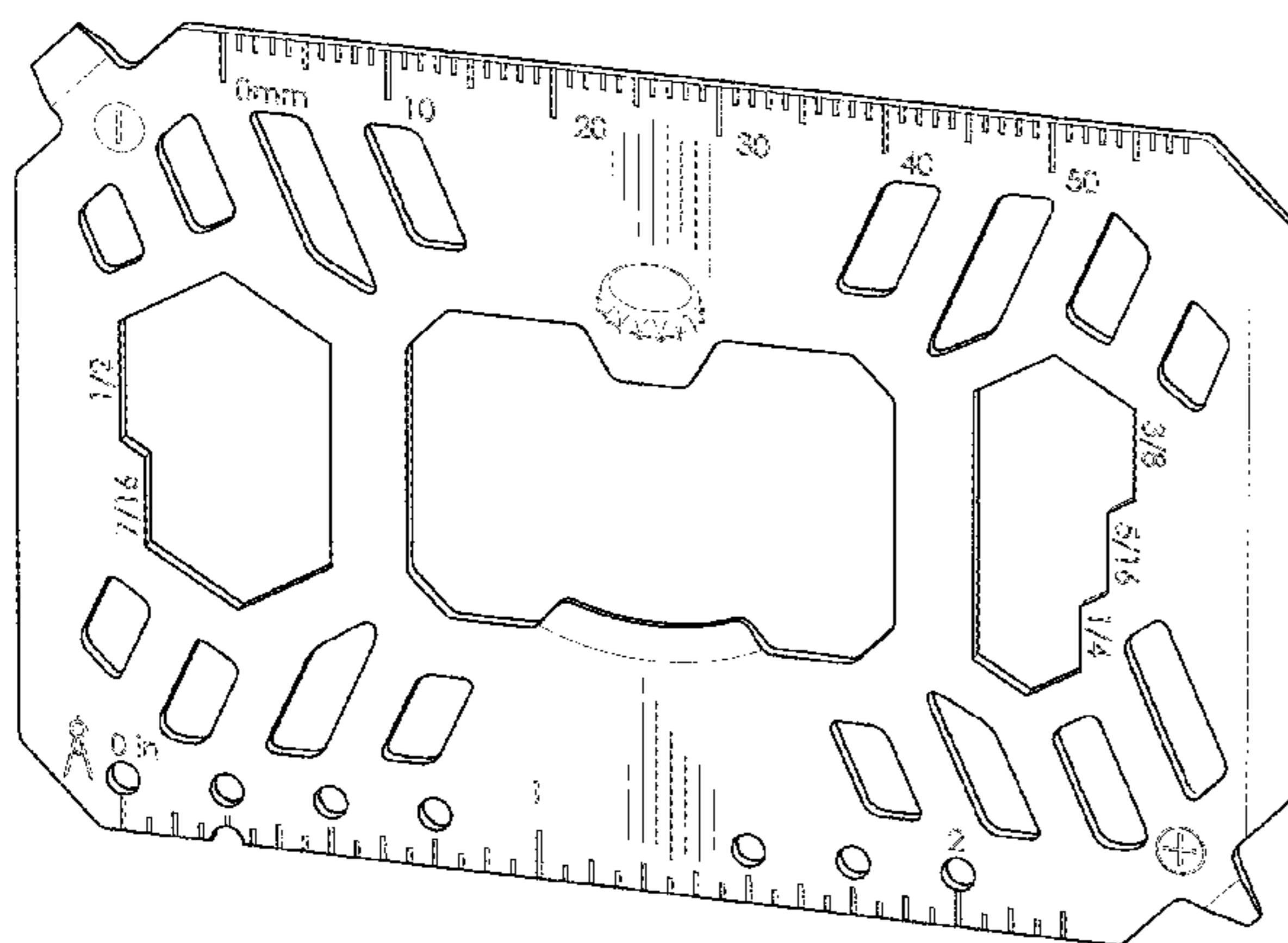


FIG. 1

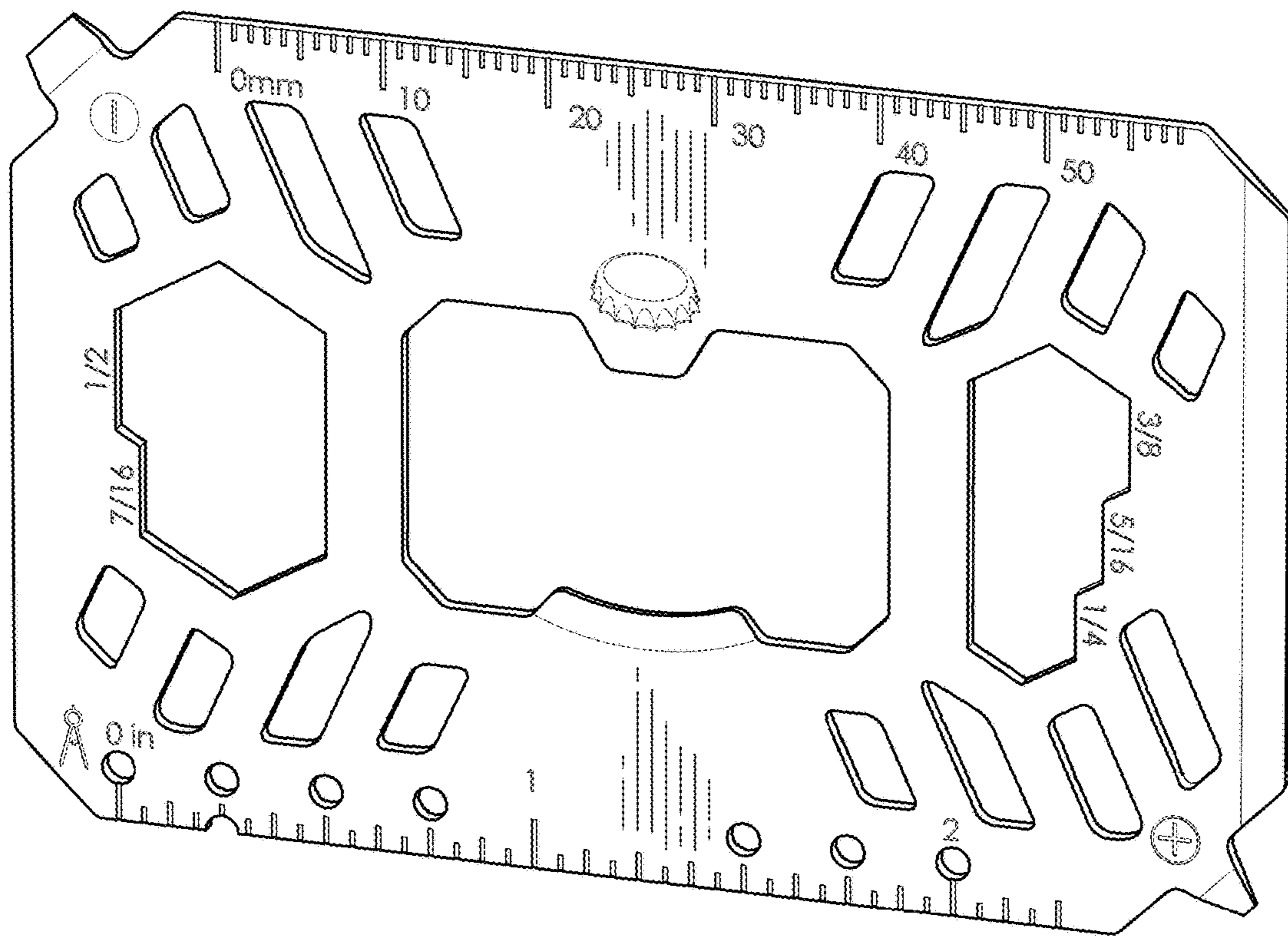


FIG. 2

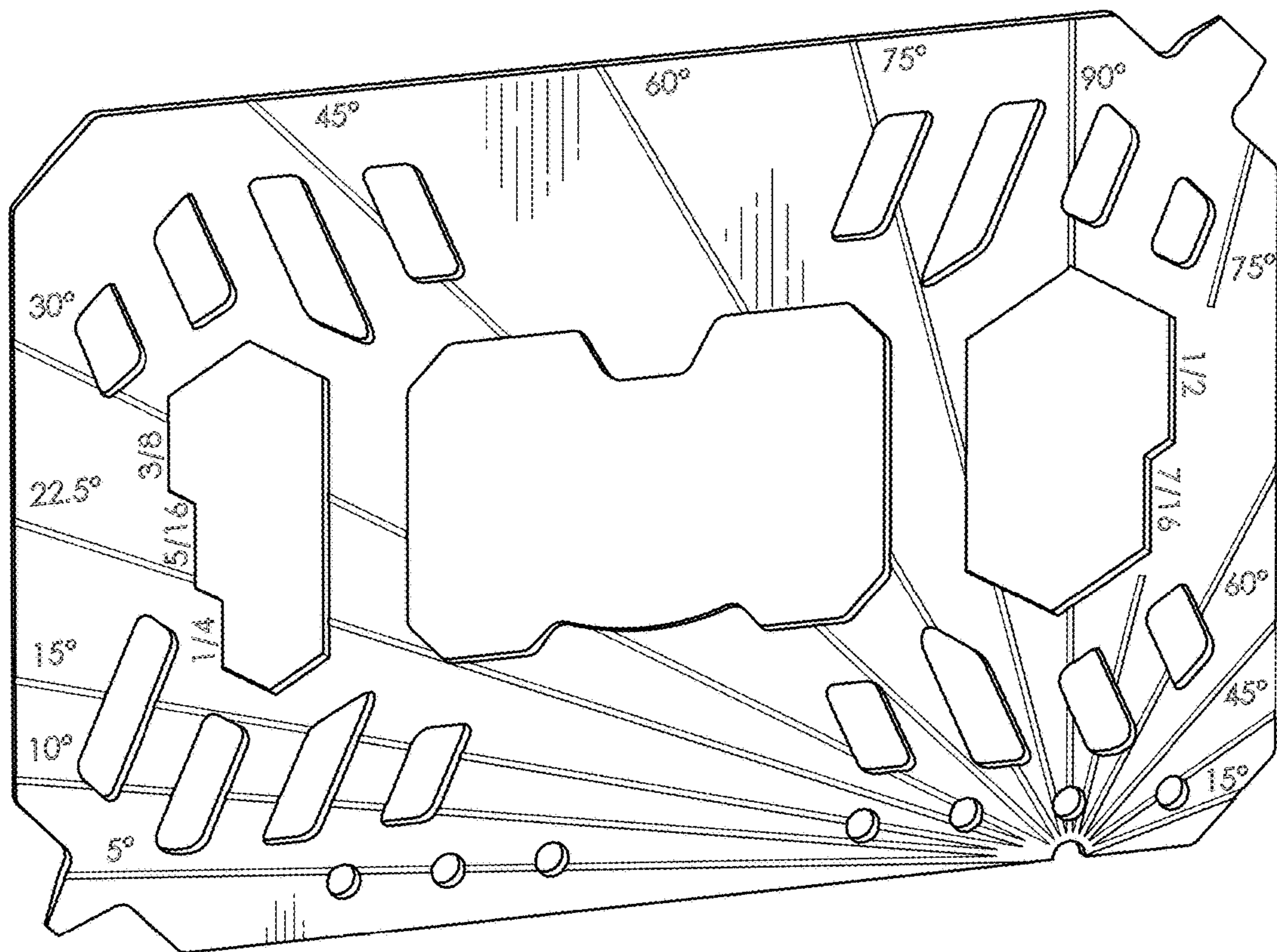


FIG. 3

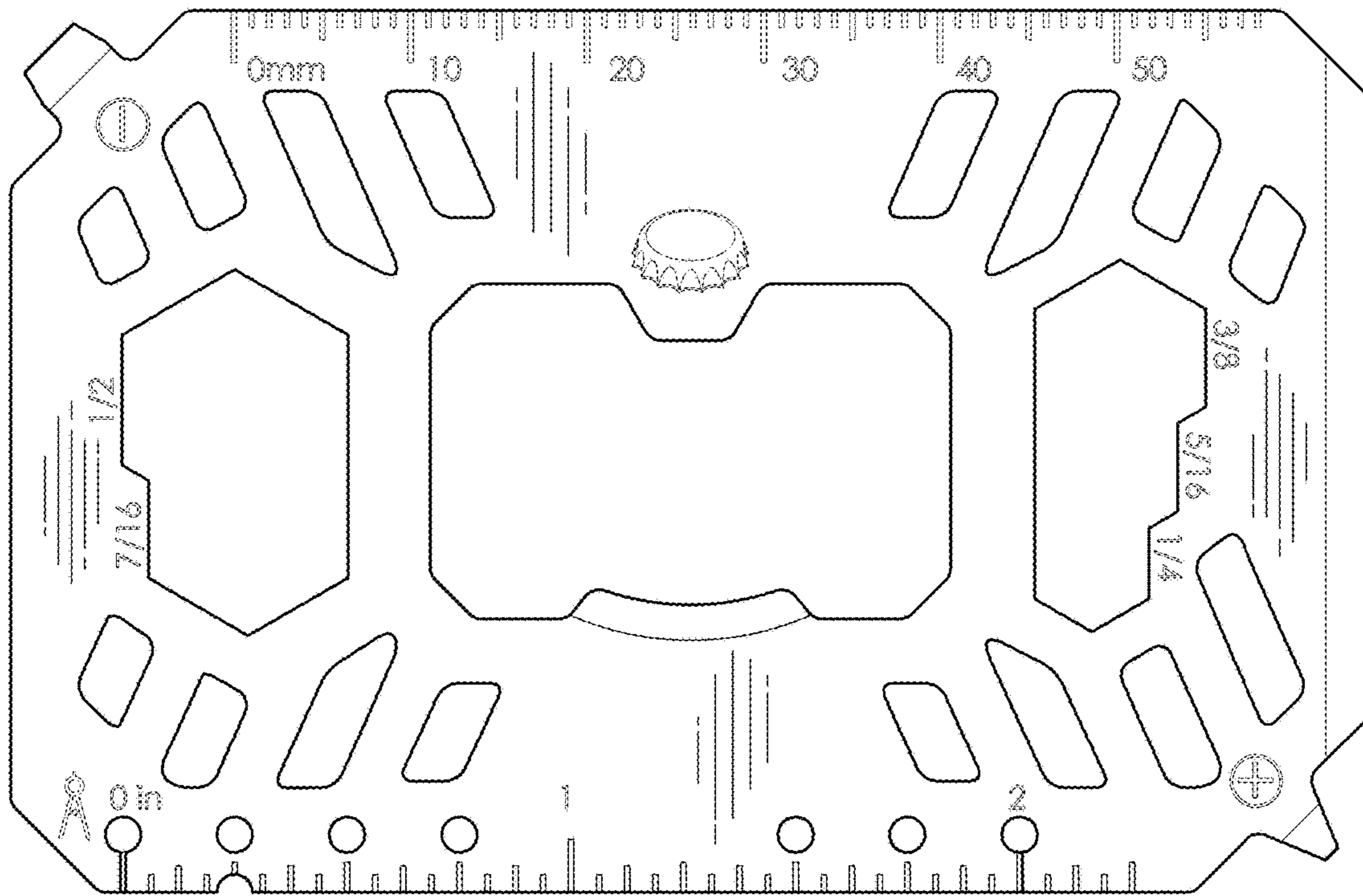


FIG. 4

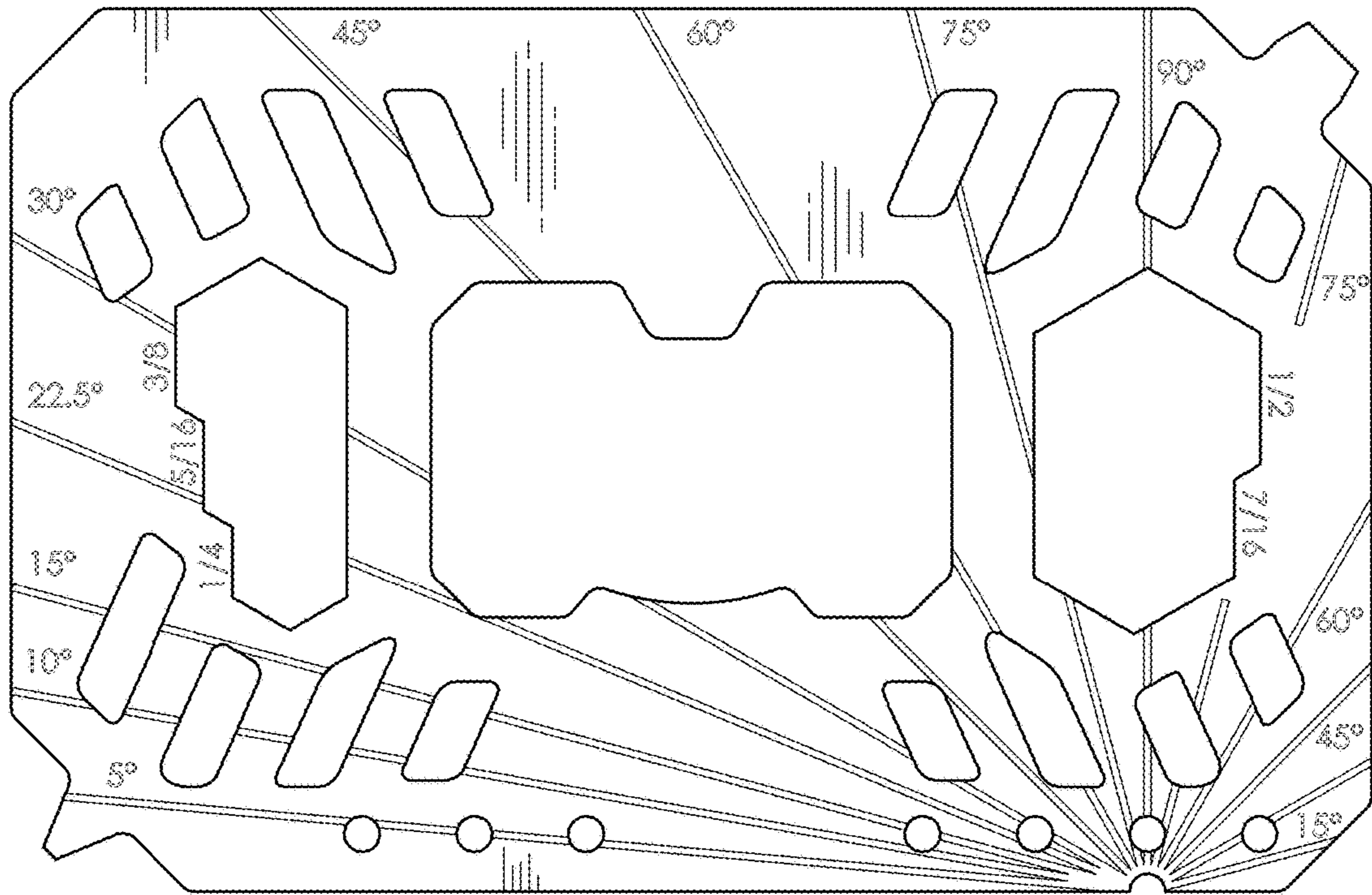


FIG. 5



FIG. 6



FIG. 7

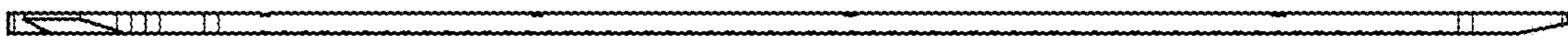


FIG. 8

