



US00D817190S

(12) **United States Design Patent** (10) **Patent No.:** **US D817,190 S**
Behling (45) **Date of Patent:** **** May 8, 2018**

(54) **WATCH**

(71) Applicant: **LVMH Swiss Manufactures SA**, La Chaux-de-Fonds (CH)

(72) Inventor: **Christoph Behling**, London (GB)

(73) Assignee: **LVMH Swiss Manufactures SA**, La Chaux-de-Fonds (CH)

(**) Term: **15 Years**

(21) Appl. No.: **29/577,343**

(22) Filed: **Sep. 12, 2016**

(30) **Foreign Application Priority Data**

Mar. 11, 2016 (WO) DM/090057

(51) **LOC (11) Cl.** **10-02**

(52) **U.S. Cl.**
USPC **D10/32**

(58) **Field of Classification Search**

USPC D10/22, 30-32, 37-39, 65, 70, 98, 103, D10/122-124, 126-128, 131; D14/344
 CPC A44C 5/16; A44C 5/22; A44C 5/24; A44C 5/243; A44C 5/246; A44C 5/10; A44C 5/102; A44C 5/105; A44C 5/107; A44C 5/02; A44C 5/027; A44C 5/00; A44C 5/0053; A44C 5/0076; A44C 5/0069; G04B 19/06; G04B 19/08; G04B 19/085; G04B 19/103; G04B 19/12; G04B 19/18; G04B 19/22; G04B 19/223; G04B 19/24; G04B 19/26; G04B 19/283; G04B 19/30; G04B 19/00; G04B 19/025; G04B 19/04; G04B 3/046; G04B 3/048; G04B 37/106; G04B 3/001; G04B 37/1486; G04F 7/08; G04F 7/0804; G04F 7/0842; G04F 7/0852; G04F 7/0857; G04F 7/0861; G04F 7/0871; G04F 7/0876

See application file for complete search history.

(56) **References Cited**

U.S. PATENT DOCUMENTS

D309,113 S *	7/1990	Schoepfer	D10/32
D363,029 S *	10/1995	Magninat	D10/30
D413,273 S *	8/1999	Hartzband	D10/32
D417,403 S *	12/1999	Fedele	D10/126
D430,042 S *	8/2000	Schopfer	D10/32
D433,639 S *	11/2000	Bodino	D10/32
D433,955 S *	11/2000	Bodino	D11/15
D443,843 S *	6/2001	Schopfer	D11/3
D479,135 S *	9/2003	Emmenegger	D10/30
D598,302 S *	8/2009	Moritz	D10/32
D617,212 S *	6/2010	Behling	D10/38
D649,889 S *	12/2011	Giannini	D10/32
D656,044 S *	3/2012	Favre	D10/38
D717,181 S *	11/2014	Vukcevic	D10/38

(Continued)

Primary Examiner — Sandra S Snapp

Assistant Examiner — Katherine Glennon

(74) *Attorney, Agent, or Firm* — Brown Rudnick LLP

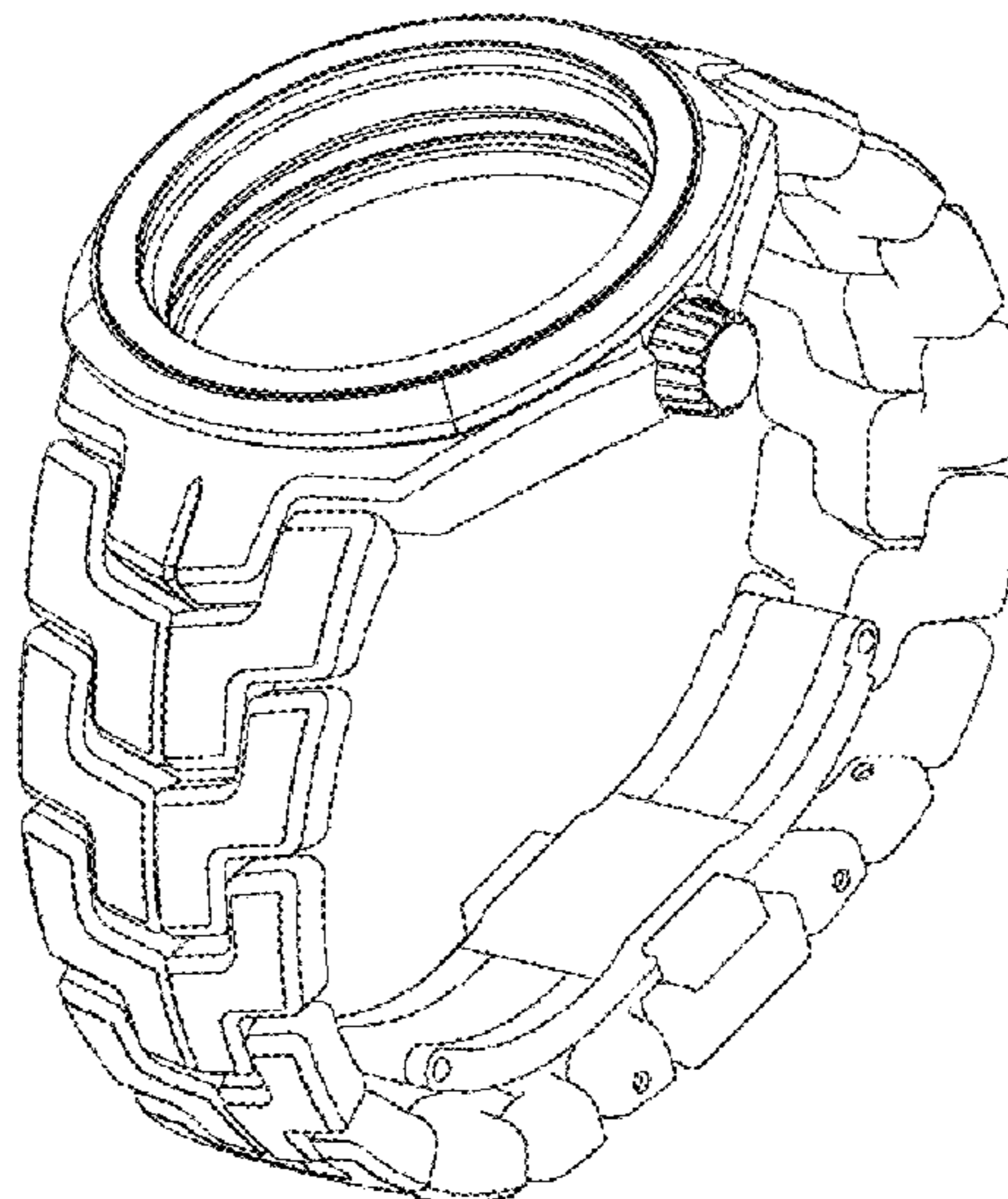
(57) **CLAIM**

The ornamental design for a watch, as shown and described.

DESCRIPTION

FIG. 1 illustrates a right side view of a watch employing an ornamental design in accordance with the present invention; FIG. 2 illustrates a left side view of the watch of FIG. 1; FIG. 3 illustrates a top side view of the watch of FIG. 1; FIG. 4 illustrates a bottom side view of the watch of FIG. 1; FIG. 5 illustrates a front view of the watch of FIG. 1; FIG. 6 illustrates a back view of the watch of FIG. 1; FIG. 7 illustrates a top perspective view of the watch of FIG. 1; and, FIG. 8 illustrates a bottom perspective of the watch of FIG. 1.

1 Claim, 8 Drawing Sheets



(56)

References Cited

U.S. PATENT DOCUMENTS

D720,239	S *	12/2014	Mijatovic	D10/32
D760,603	S *	7/2016	Soares	D10/32
D764,318	S *	8/2016	Kauffmann	D10/30
D781,723	S *	3/2017	Seals	D10/38
2005/0060981	A1 *	3/2005	Yamamoto	A44C 5/105
				59/85
2008/0170474	A1 *	7/2008	Behling	G04B 19/247
				368/37
2009/0052284	A1 *	2/2009	Behling	G04G 9/0076
				368/22

* cited by examiner

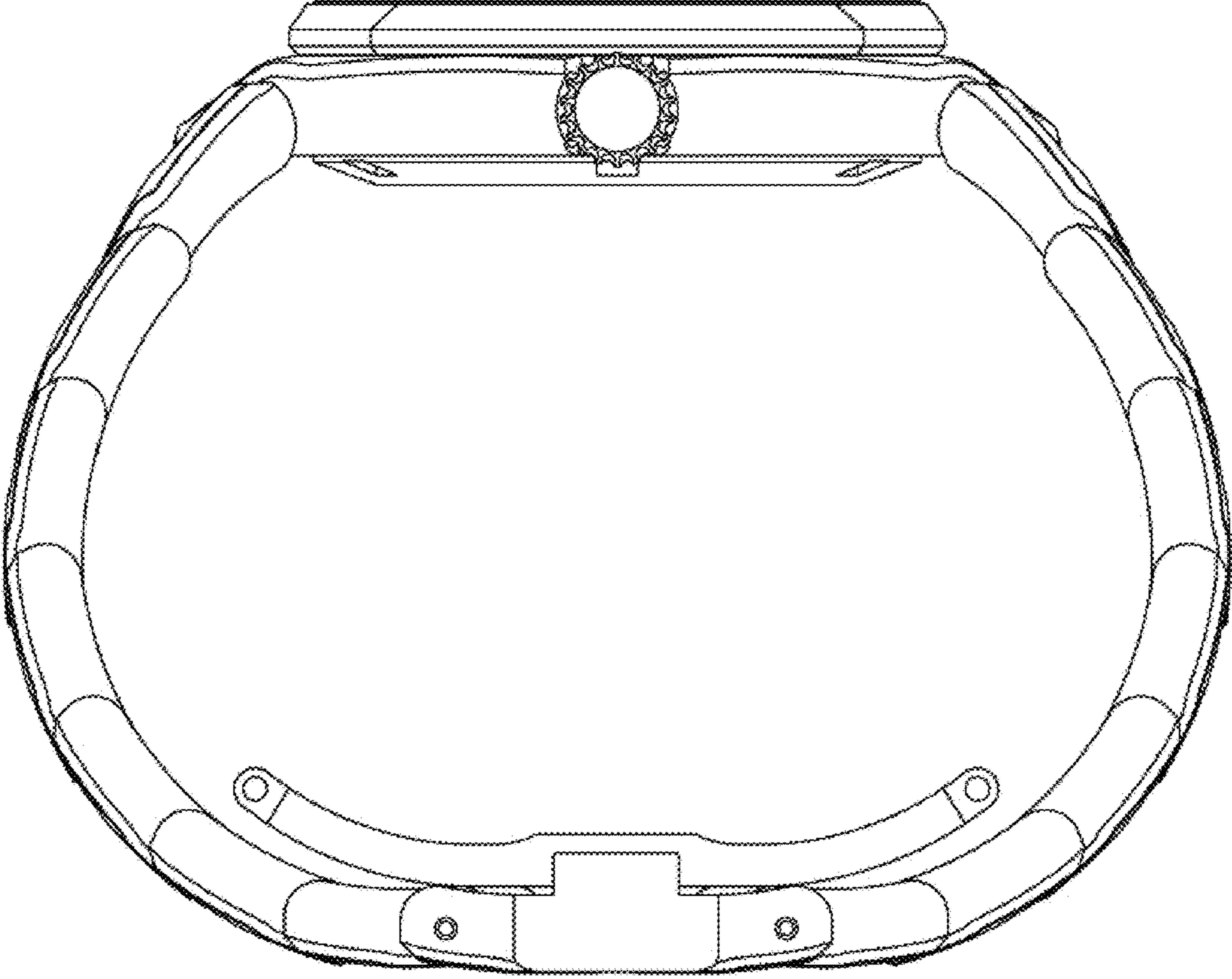


FIG. 1

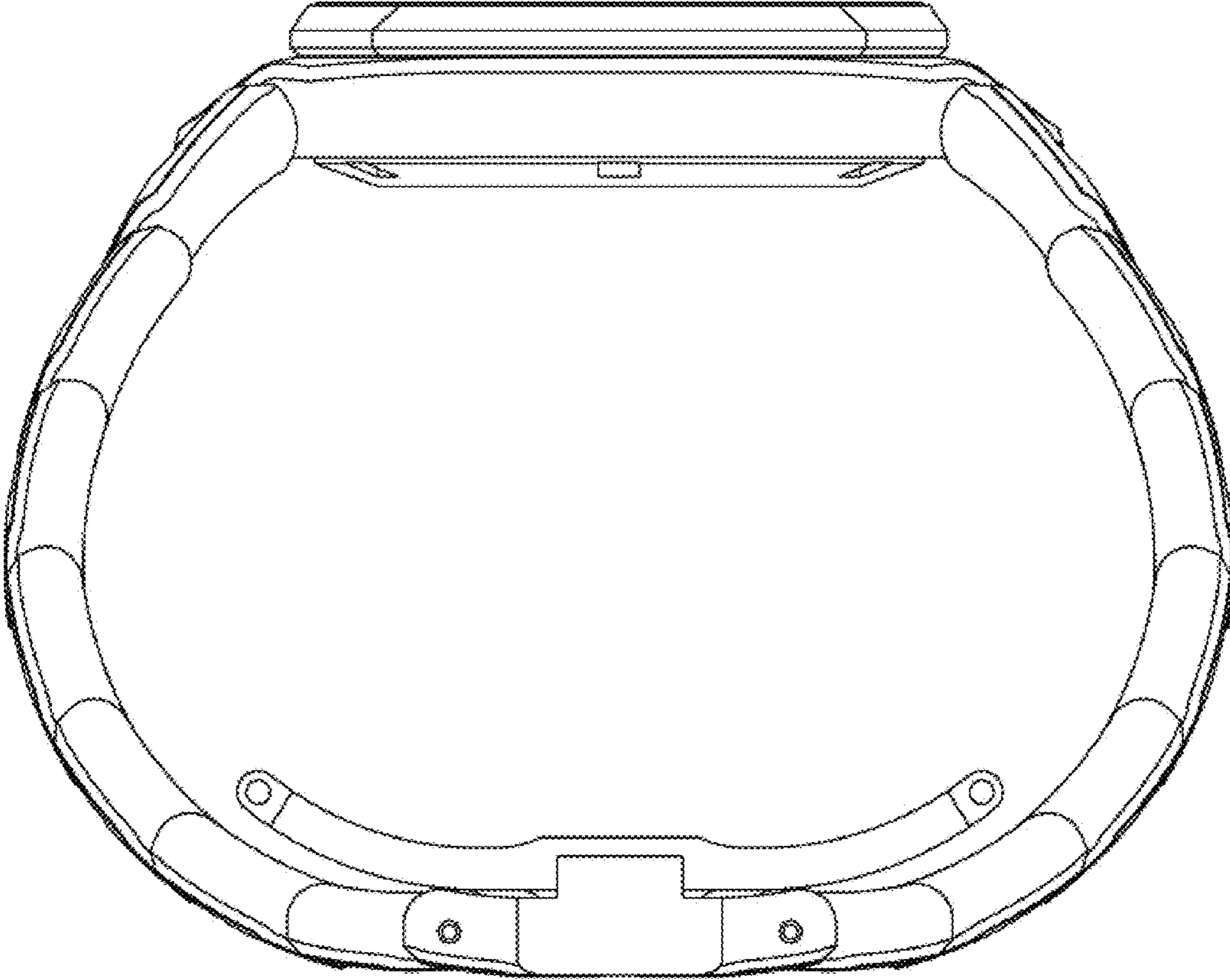


FIG. 2

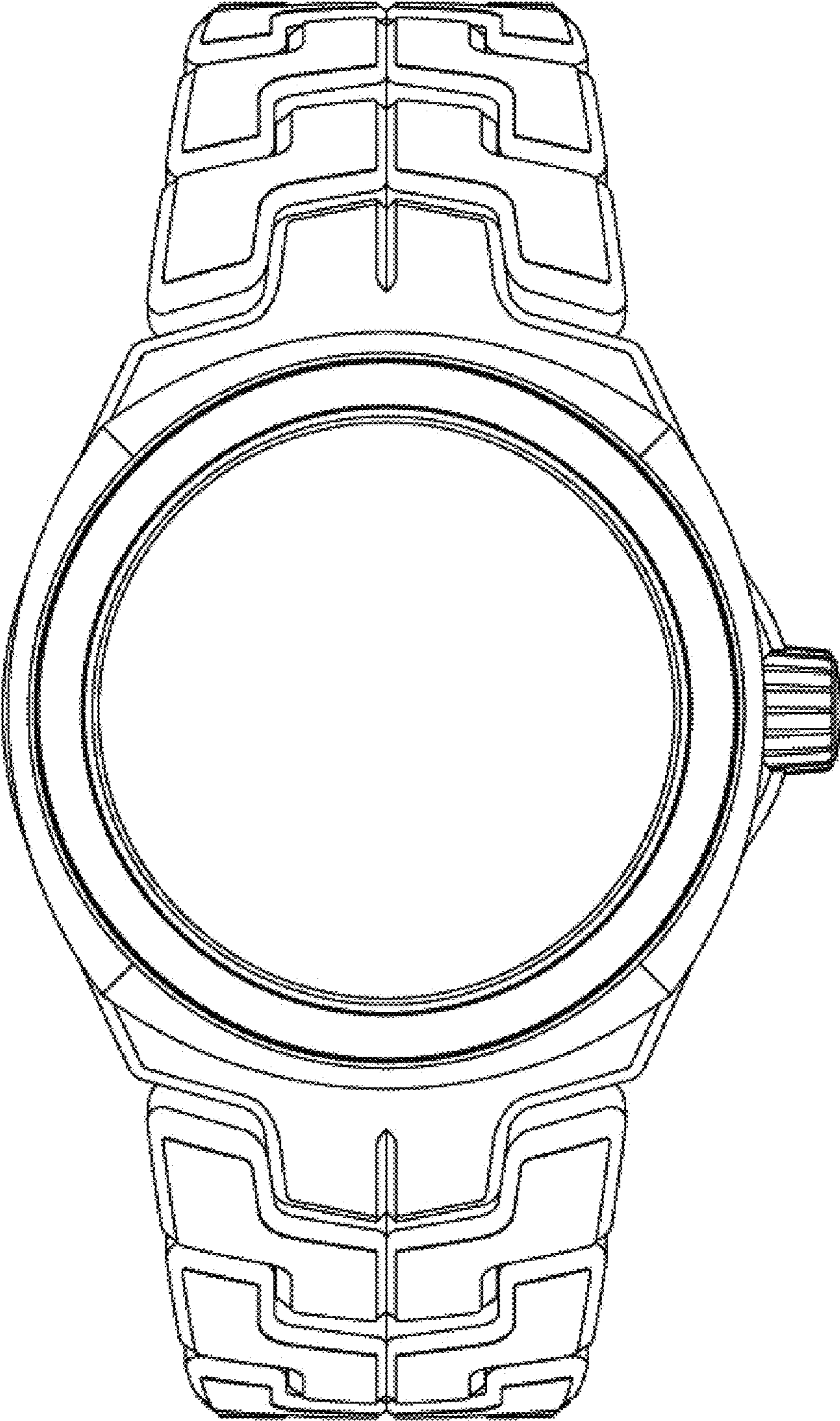


FIG. 3

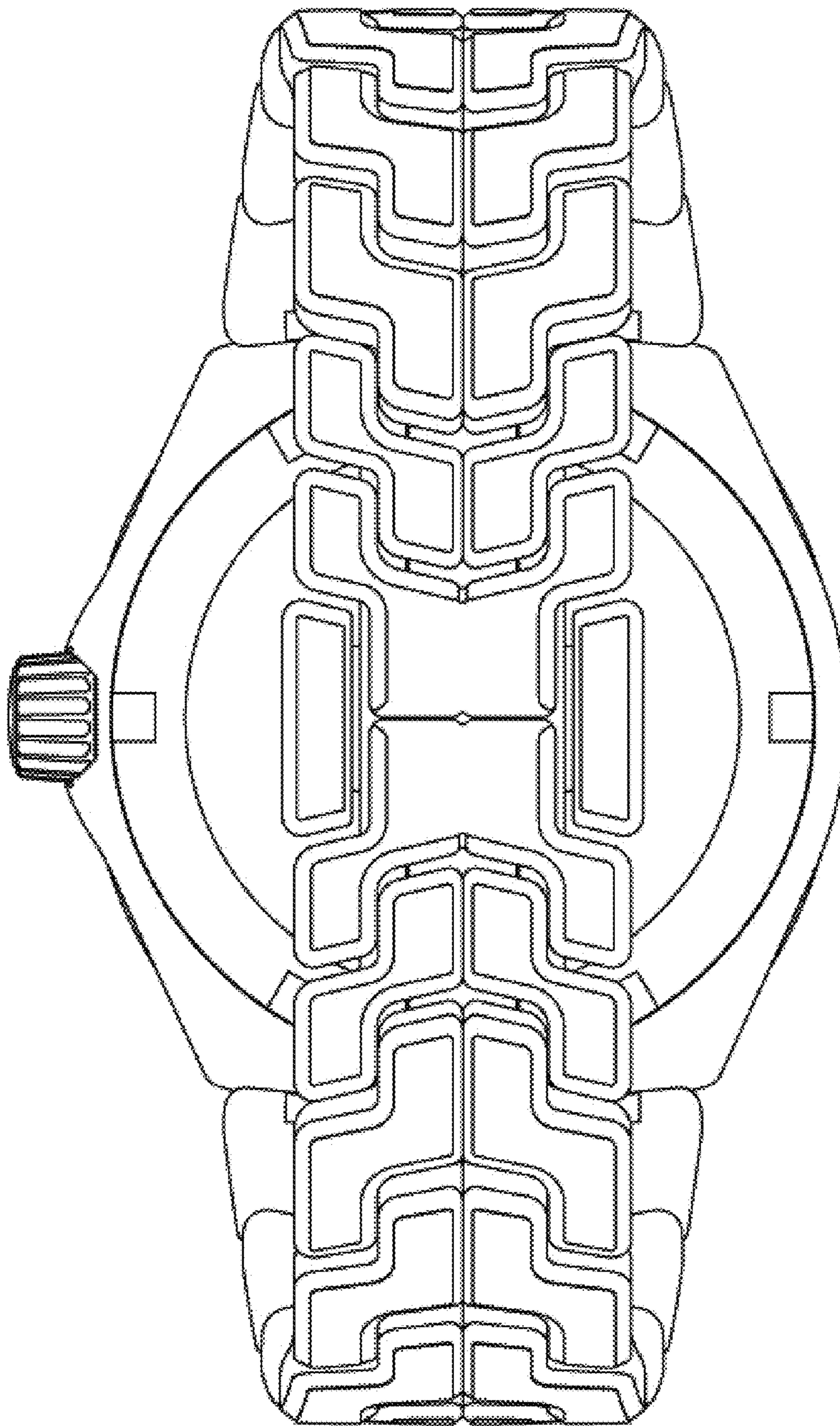


FIG. 4

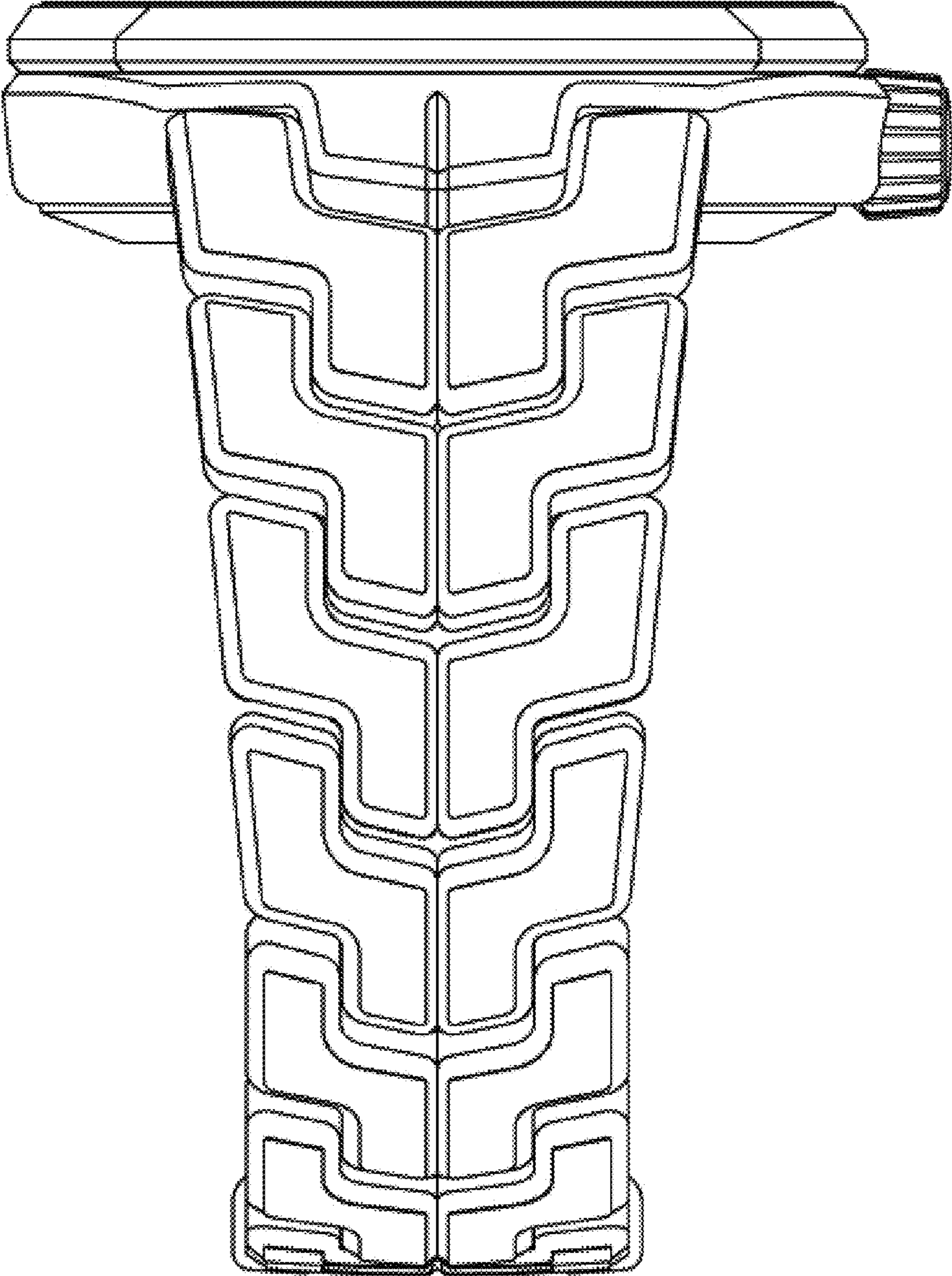


FIG. 5

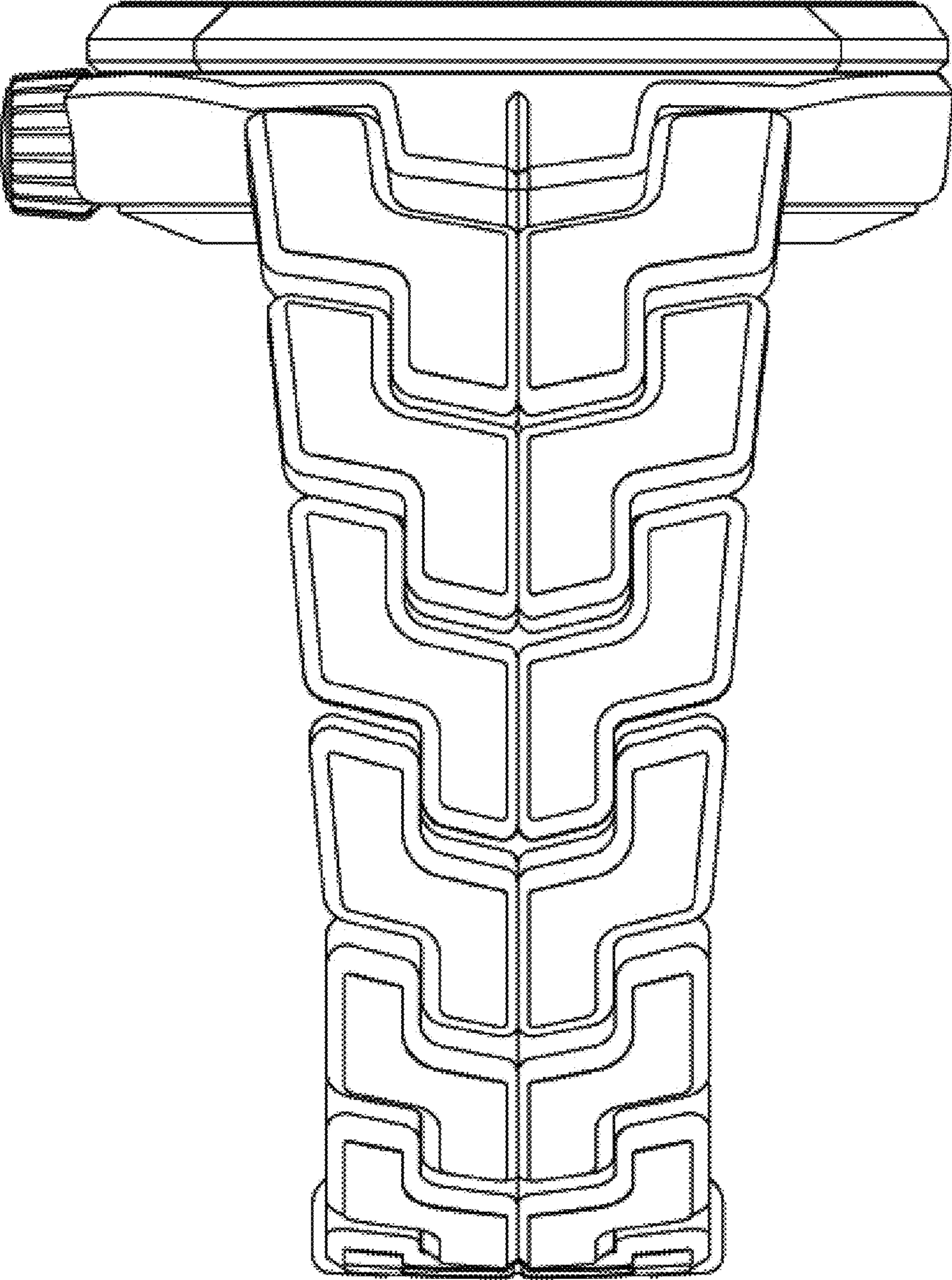


FIG. 6

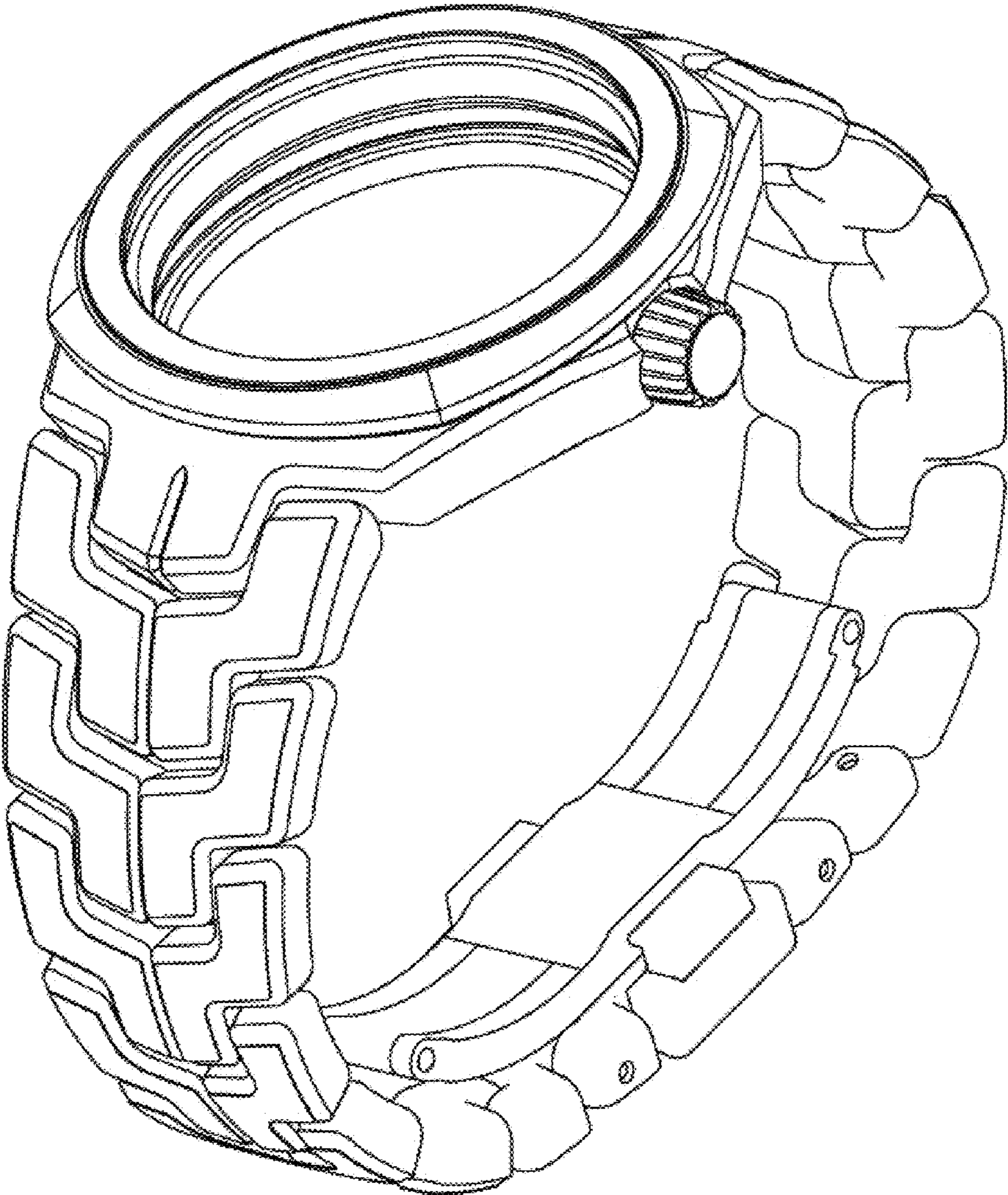


FIG. 7

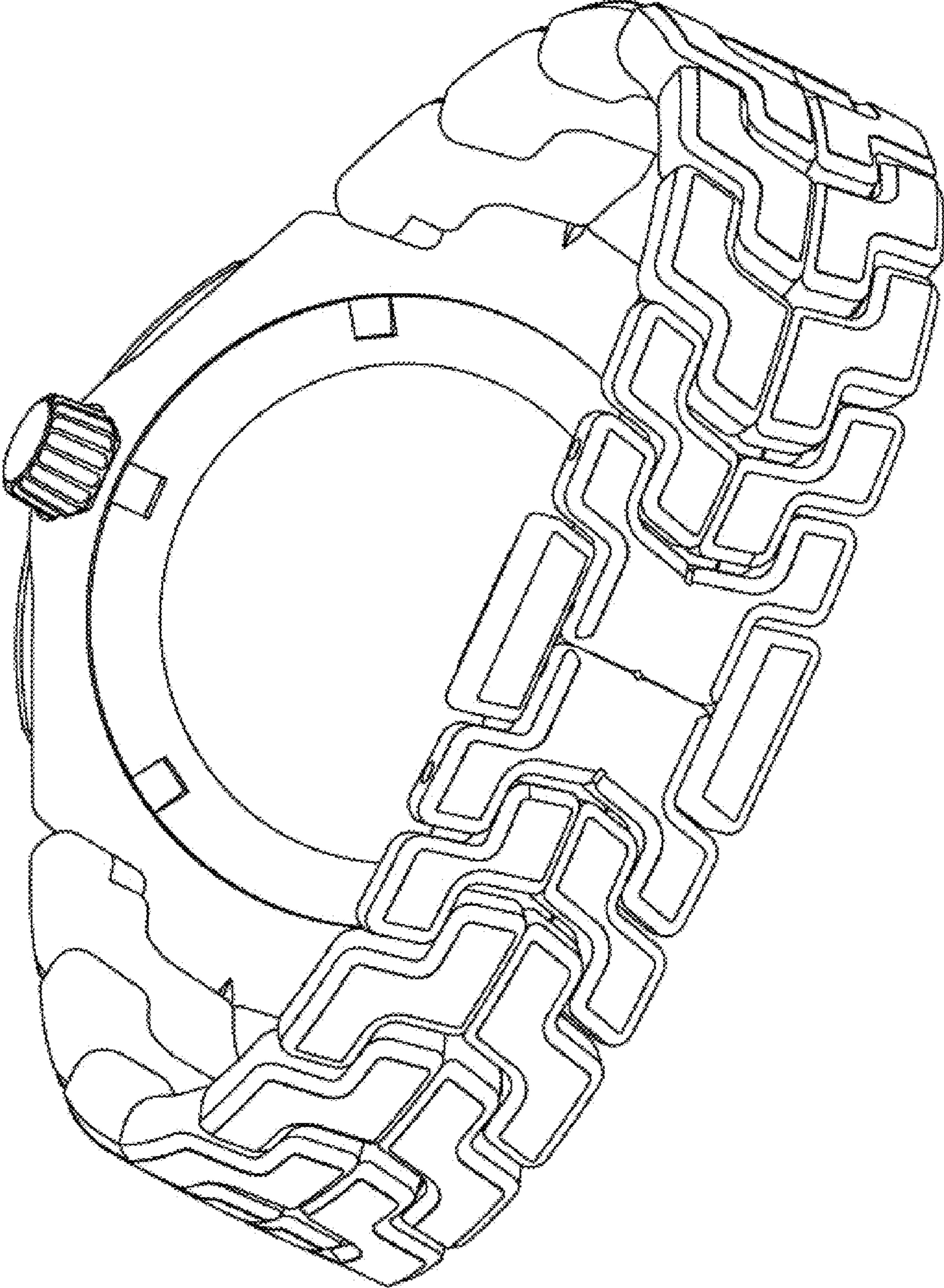


FIG. 8