



US00D817188S

(12) **United States Design Patent**
Behling

(10) **Patent No.:** **US D817,188 S**

(45) **Date of Patent:** **** May 8, 2018**

(54) **WATCH CASE**

(71) Applicant: **LVMH Swiss Manufactures SA**, La
Chaux-de-Fonds (CH)

(72) Inventor: **Christoph Behling**, London (GB)

(73) Assignee: **LVMH Swiss Manufactures SA**, La
Chaux-de-Fonds (CH)

(**) Term: **15 Years**

(21) Appl. No.: **29/577,344**

(22) Filed: **Sep. 12, 2016**

(30) **Foreign Application Priority Data**

Mar. 11, 2016 (CH) DM/090057

(51) **LOC (11) Cl.** **10-02**

(52) **U.S. Cl.**
USPC **D10/30**

(58) **Field of Classification Search**

USPC D10/1-39, 65, 70, 122-132
CPC G04B 17/00; G04B 17/02; G04B 17/005;
G04B 17/285; G04B 37/00; G04B 37/00;
G04B 37/0058; G04B 45/00; G04B
45/02; G04B 45/038; G04B 45/0069;
G04B 45/0076; G04B 29/00; G04B
19/268

See application file for complete search history.

(56) **References Cited**

U.S. PATENT DOCUMENTS

D343,582 S * 1/1994 Maruyama D10/30
D458,851 S * 6/2002 Haquet D10/30
D497,109 S * 10/2004 Itsubo D10/30

D502,650 S * 3/2005 Kojima D10/30
D507,974 S * 8/2005 Strasser D10/30
D523,357 S * 6/2006 Kummer D10/38
D526,213 S * 8/2006 Moriai D10/38
D588,940 S * 3/2009 Kuchler D10/32
D632,592 S * 2/2011 Actis-Datta D10/32
D658,510 S * 5/2012 Wai Kei D10/32
D735,586 S * 8/2015 Stegmann D10/30
D762,488 S * 8/2016 Kishino D10/128

* cited by examiner

Primary Examiner — Sheryl Lane

Assistant Examiner — Calvin E Vansant

(74) *Attorney, Agent, or Firm* — Brown Rudnick LLP

(57) **CLAIM**

The ornamental design for a watch case, as shown and described.

DESCRIPTION

FIG. 1 illustrates a right side view of a watch case employing an ornamental design in accordance with the present invention;

FIG. 2 illustrates a left side view of the watch case of FIG. 1;

FIG. 3 illustrates a top side view of the watch case of FIG. 1;

FIG. 4 illustrates a bottom side view of the watch case of FIG. 1;

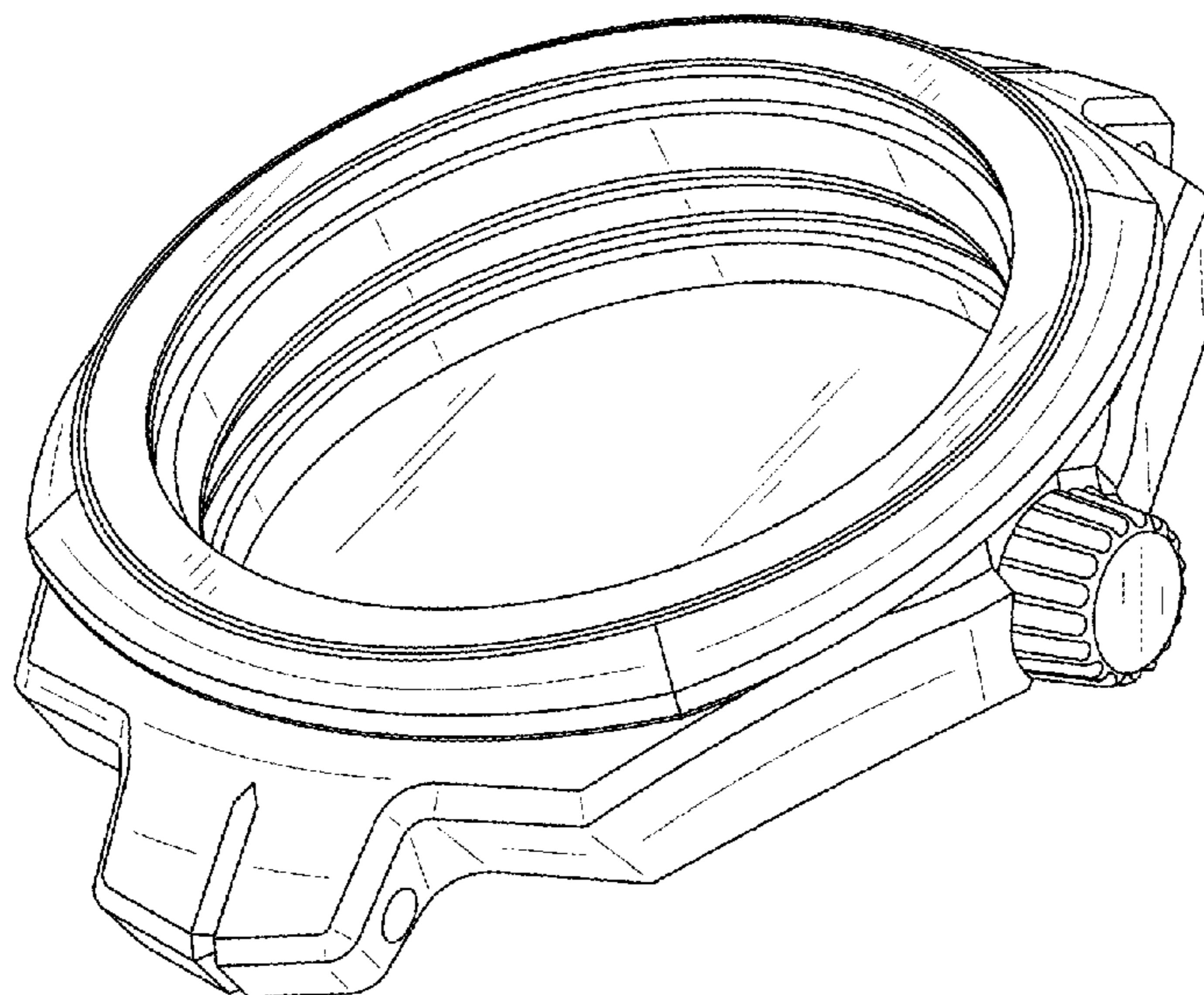
FIG. 5 illustrates a front view of the watch case of FIG. 1;

FIG. 6 illustrates a back view of the watch case of FIG. 1;

FIG. 7 illustrates a top perspective view of the watch case of FIG. 1; and,

FIG. 8 illustrates a bottom perspective of the watch case of FIG. 1.

1 Claim, 8 Drawing Sheets



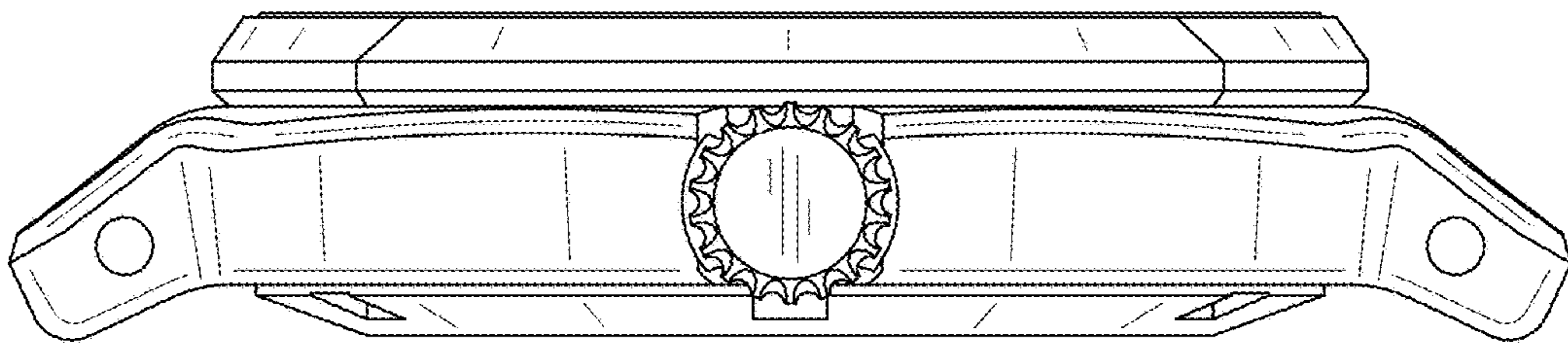


FIG. 1

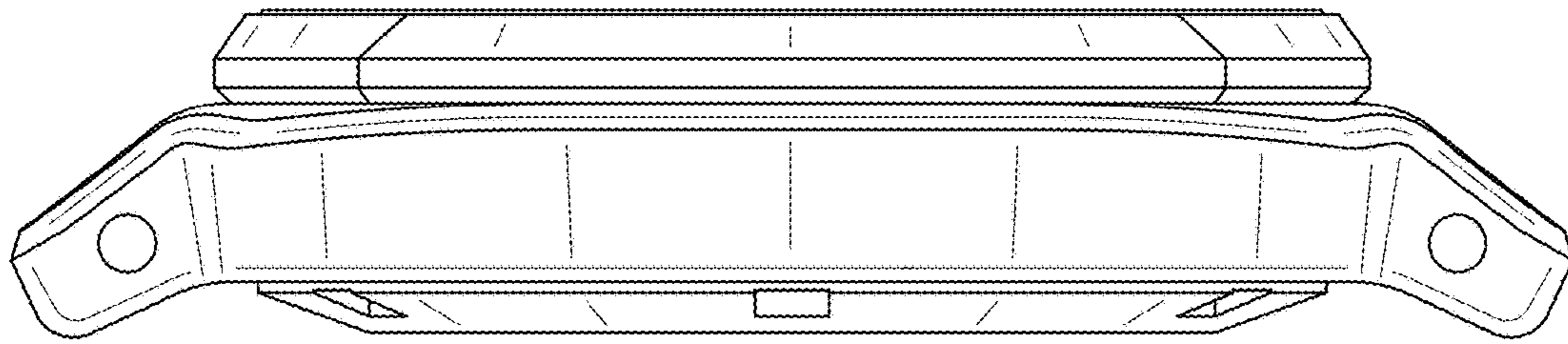


FIG. 2

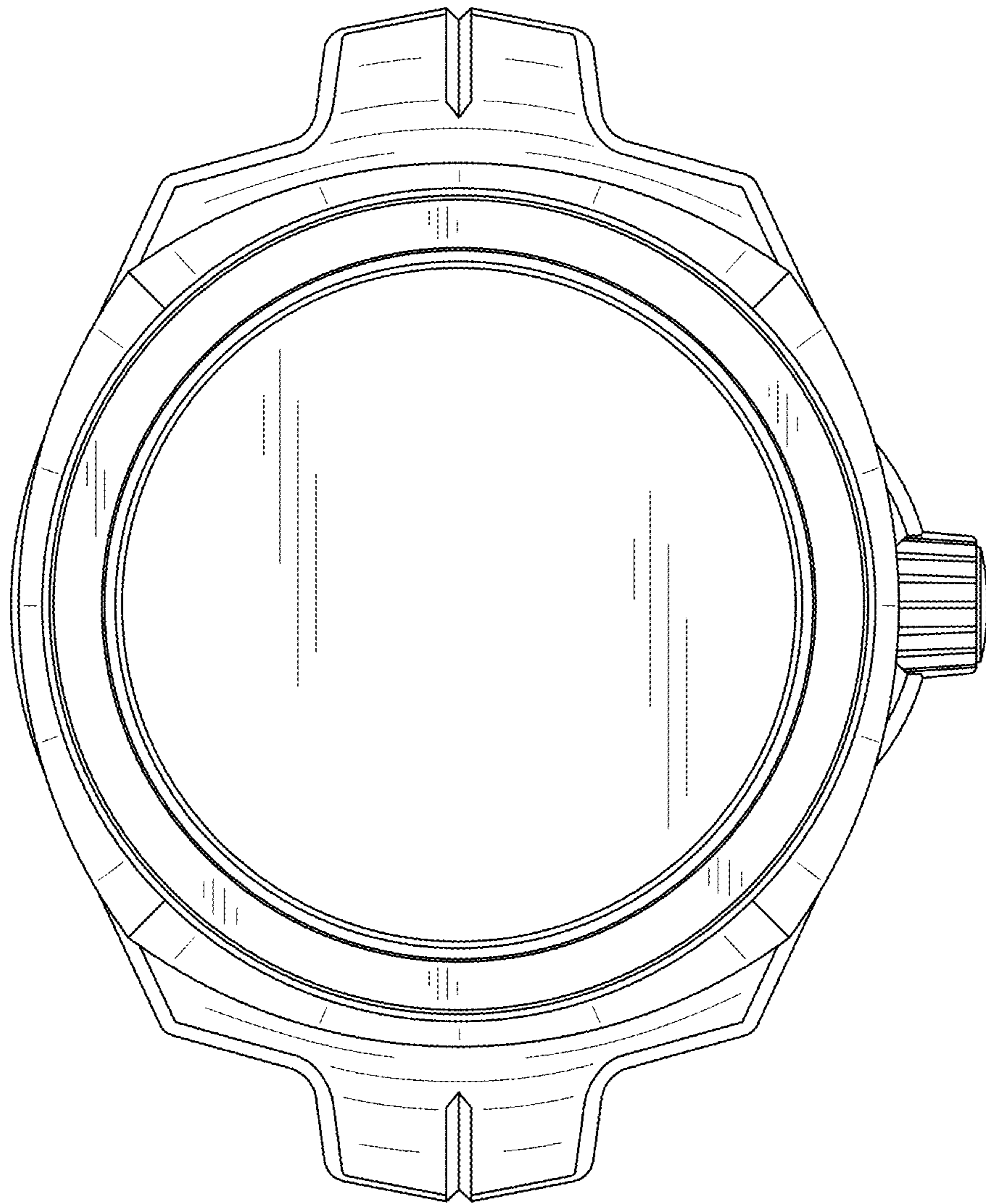


FIG. 3

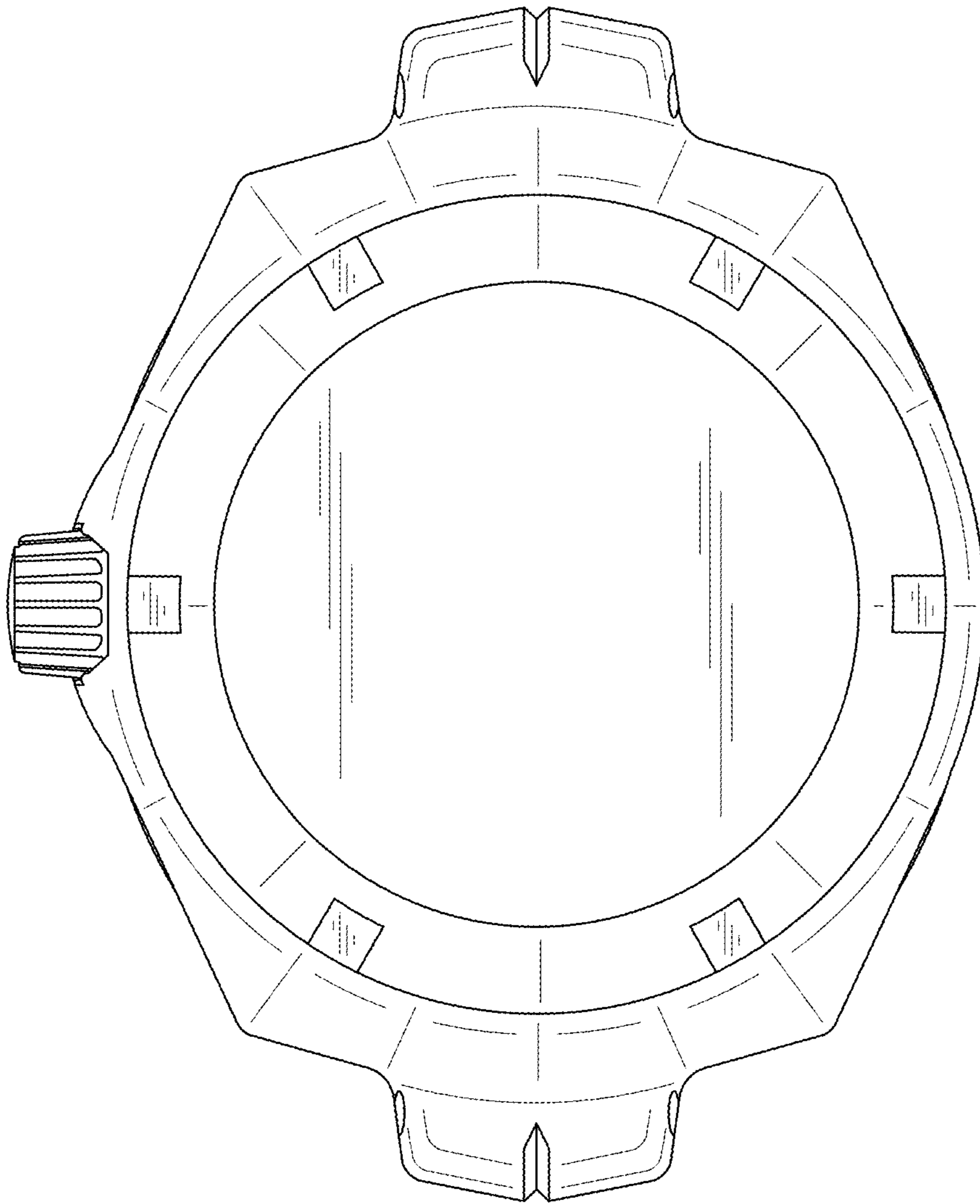


FIG. 4

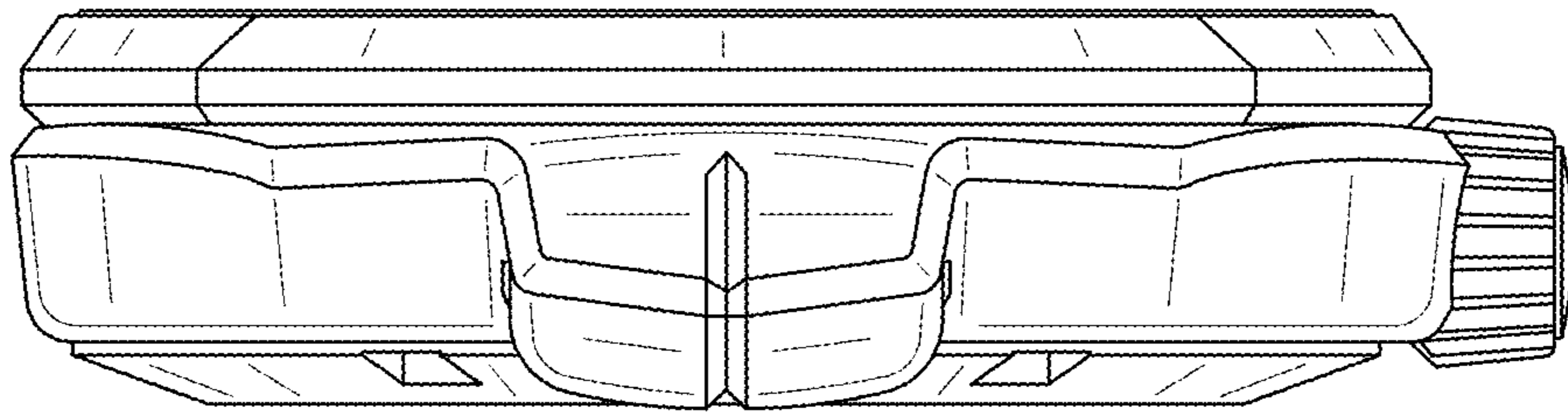


FIG. 5

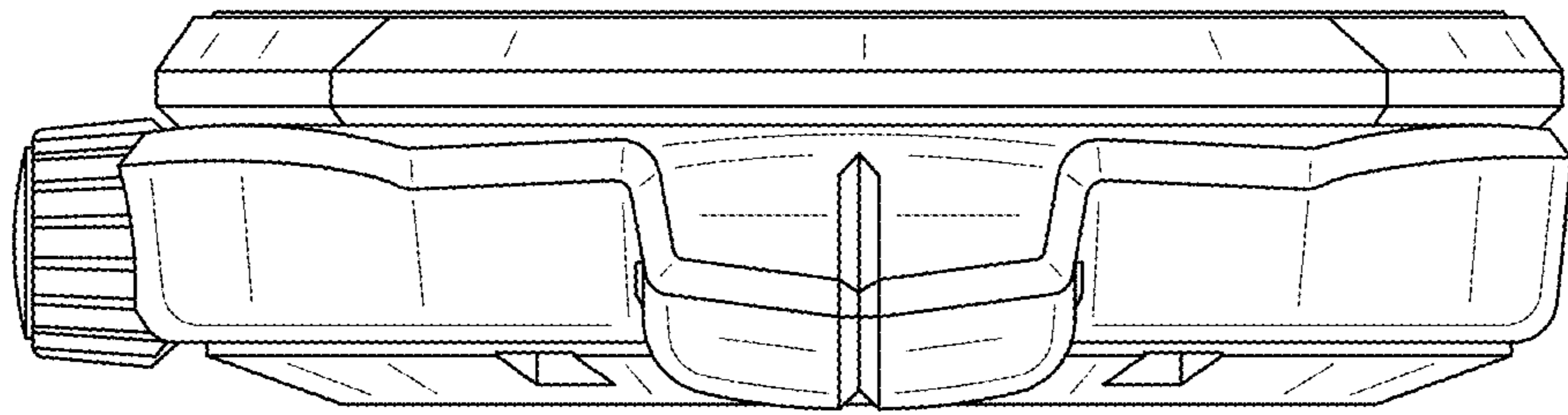


FIG. 6

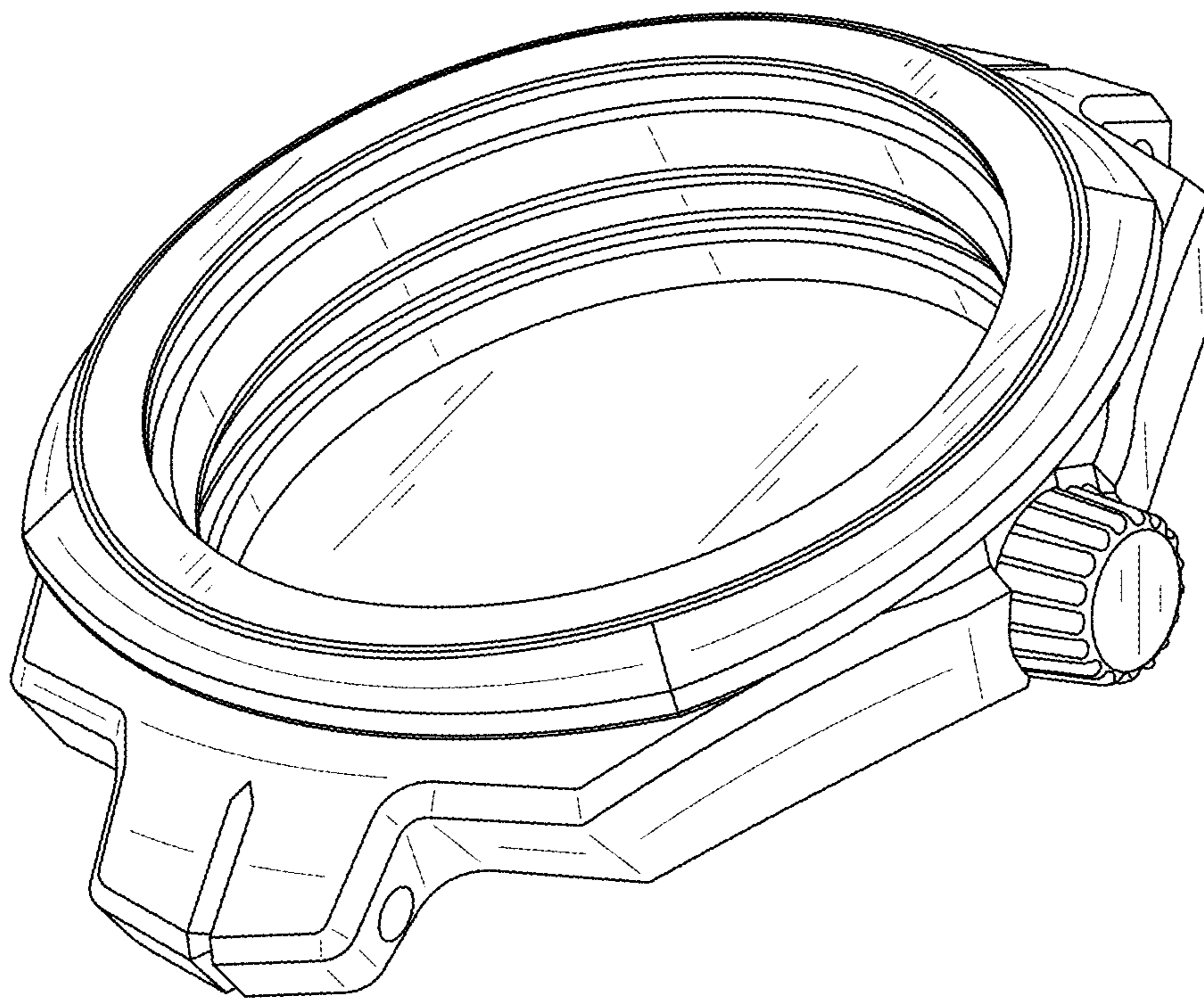


FIG. 7

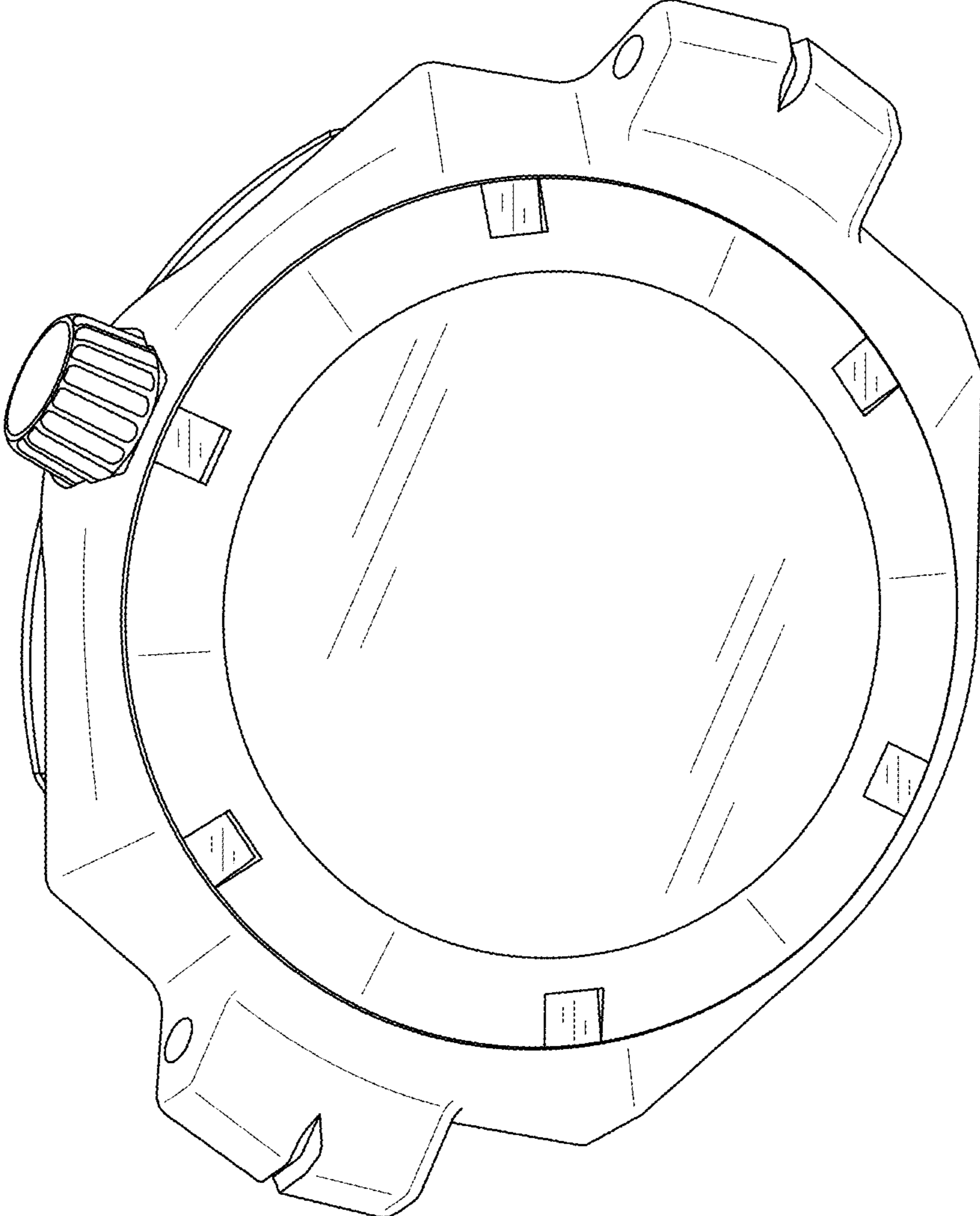


FIG. 8