



US00D817179S

(12) **United States Design Patent** (10) **Patent No.:** **US D817,179 S**
Hunter et al. (45) **Date of Patent:** **** May 8, 2018**

(54) **CONTAINER**
(71) Applicant: **Visy R & D Pty Ltd**, Southbank (AU)
(72) Inventors: **Travis Hunter**, Allentown, PA (US);
Dale Hogan, Williamstown (AU);
Trevor Pratt, Mt. Annan (AU)

D581,803 S * 12/2008 Lepoitevin D9/520
D696,959 S * 1/2014 Austin D9/560
D747,971 S * 1/2016 Peacock D9/563
D748,485 S * 2/2016 Marret D9/529
D758,875 S * 6/2016 Peacock D9/414
D776,545 S * 1/2017 Wiggins D9/561
D780,589 S * 3/2017 Miller D9/530
D786,686 S * 5/2017 Robin-Prevallee D9/452

(73) Assignee: **Visy R & D Pty Ltd**, Southbank
Victoria (AU)

* cited by examiner

(**) Term: **15 Years**

Primary Examiner — Vy N Koenig

(21) Appl. No.: **29/581,809**

Assistant Examiner — Omeed Agilee

(22) Filed: **Oct. 21, 2016**

(74) *Attorney, Agent, or Firm* — Schwegman Lundberg &
Woessner, P.A.

(30) **Foreign Application Priority Data**

Apr. 22, 2016 (AU) 201612167

(51) **LOC (11) Cl.** **09-01**

(52) **U.S. Cl.**
USPC **D9/574**

(58) **Field of Classification Search**
USPC D9/434-435, 439, 447, 449, 450, 452,
D9/454, 516, 520, 522-524, 528-531,
D9/541-544, 549-551, 558-560, 563,
D9/565-566, 571-575, 682, 686, 687,
D9/693-694, 715, 719; D7/300, 300.1,
D7/316, 317, 598; D23/211, 225
CPC ... B65D 1/00; B65D 1/02; B65D 1/12; B65D
1/18; B65D 1/20; B65D 1/0223; B65D
23/00; B65D 21/0237; B65D 2501/0009;
B65D 2501/0081

See application file for complete search history.

(56) **References Cited**

U.S. PATENT DOCUMENTS

D138,663 S * 8/1944 Teunisz D9/556
D503,341 S * 3/2005 Delmotte D9/538
D536,976 S * 2/2007 Ciulla D9/500
D576,495 S * 9/2008 Slubski D9/537

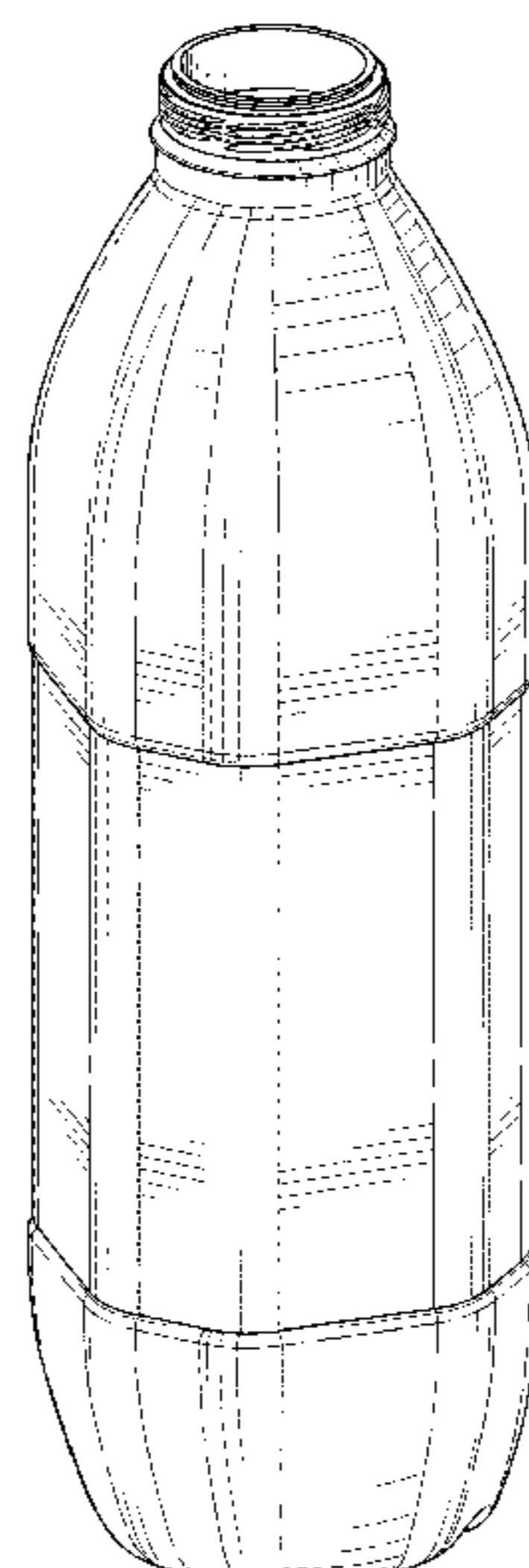
(57) **CLAIM**

The ornamental design for a container, as shown and
described.

DESCRIPTION

FIG. 1 is a top perspective view incorporating the new
design;
FIG. 2 is a bottom perspective view incorporating the new
design;
FIG. 3 is a front view incorporating the new design;
FIG. 4 is a back view incorporating the new design;
FIG. 5 is a left side view incorporating the new design;
FIG. 6 is a right side view incorporating the new design;
FIG. 7 is a top view incorporating the new design; and,
FIG. 8 is a bottom view incorporating the new design.

1 Claim, 4 Drawing Sheets



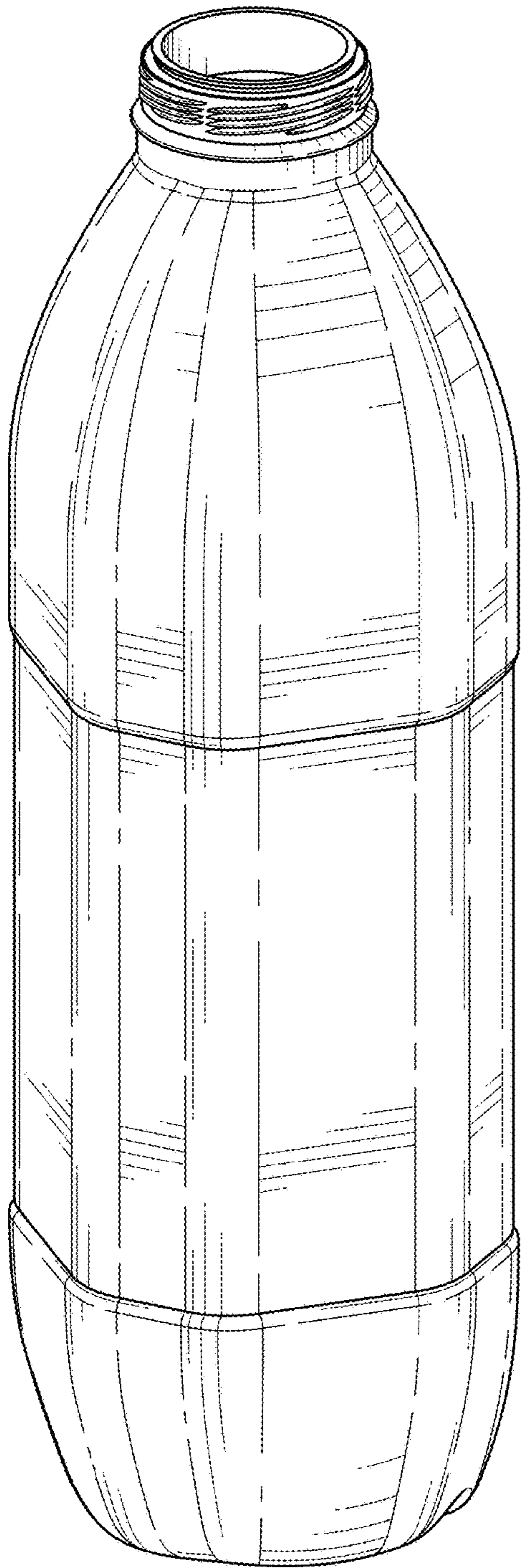


FIG. 1

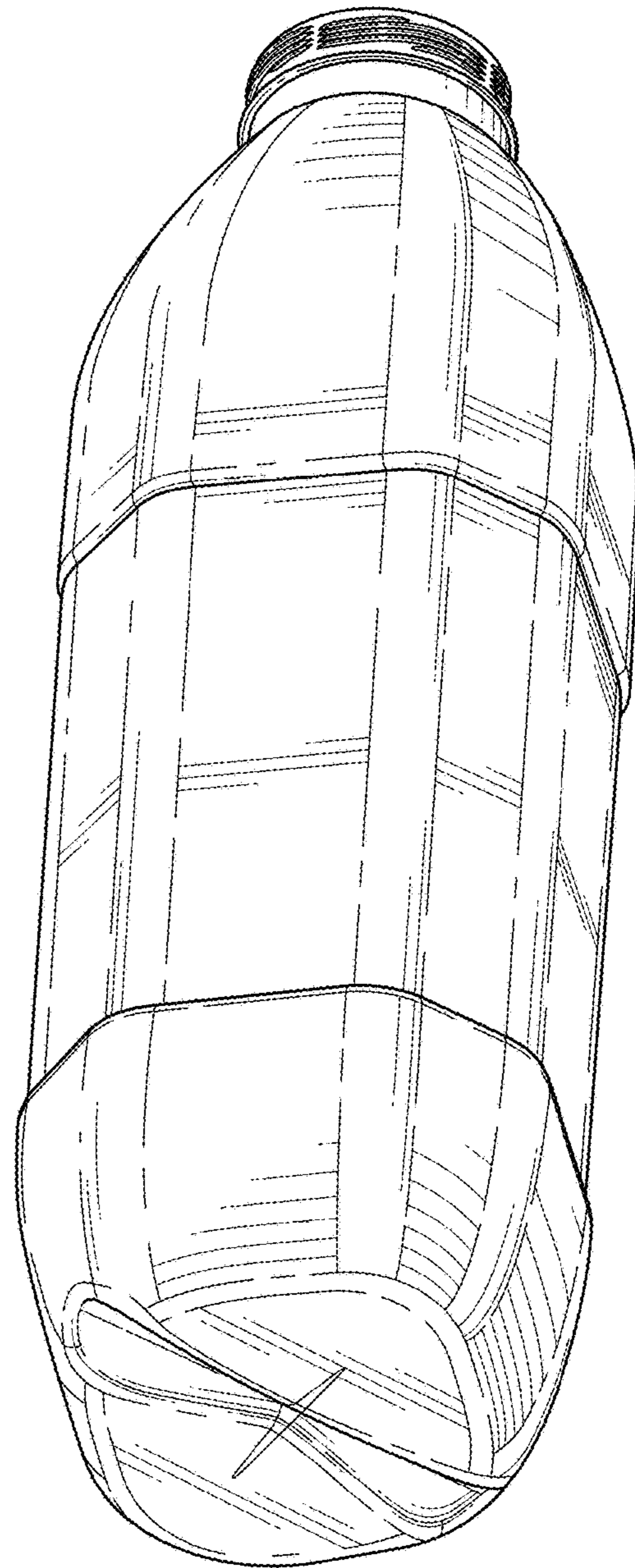


FIG. 2

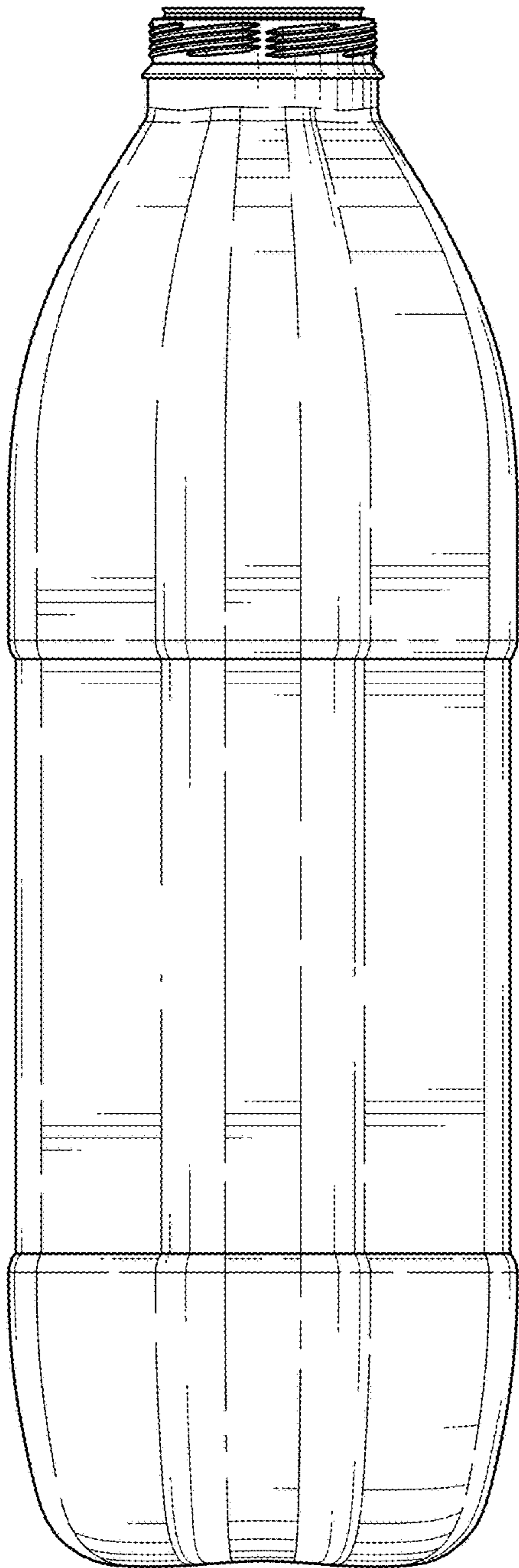


FIG. 3

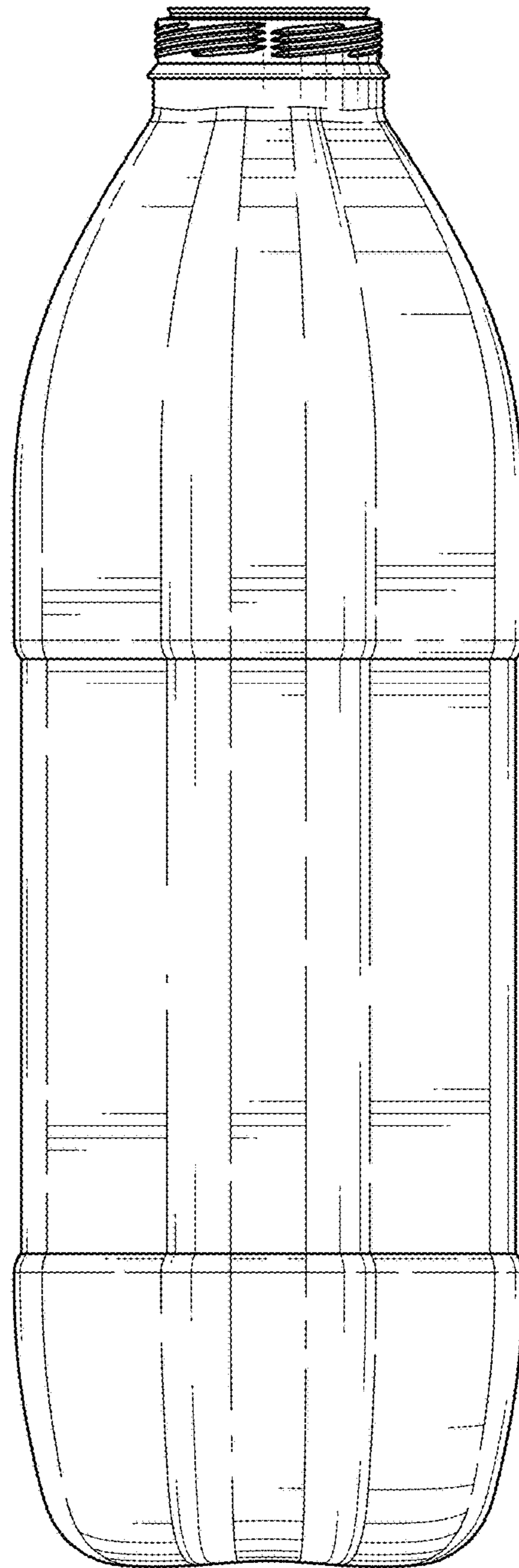


FIG. 4

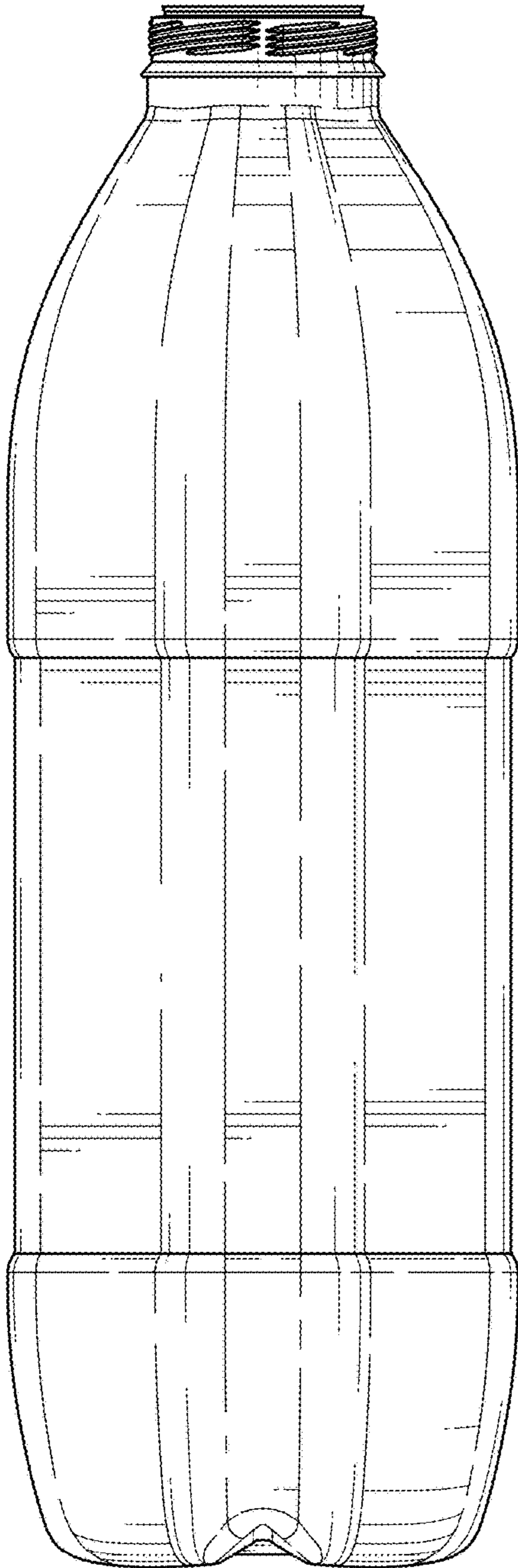


FIG. 5

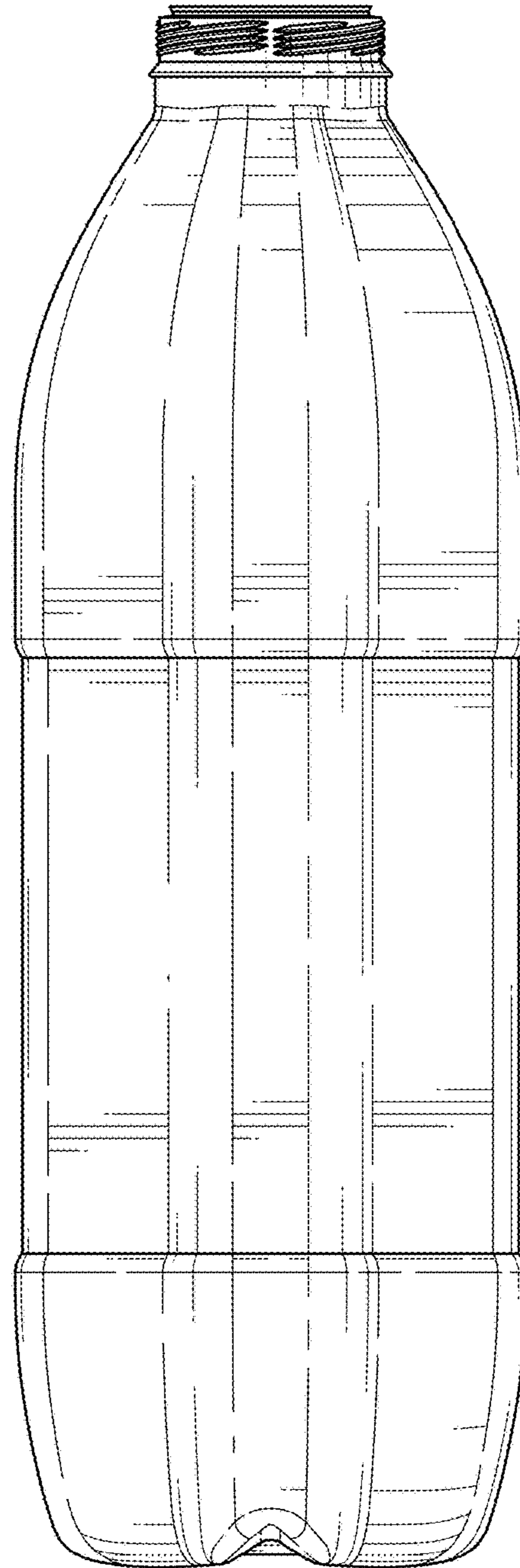


FIG. 6

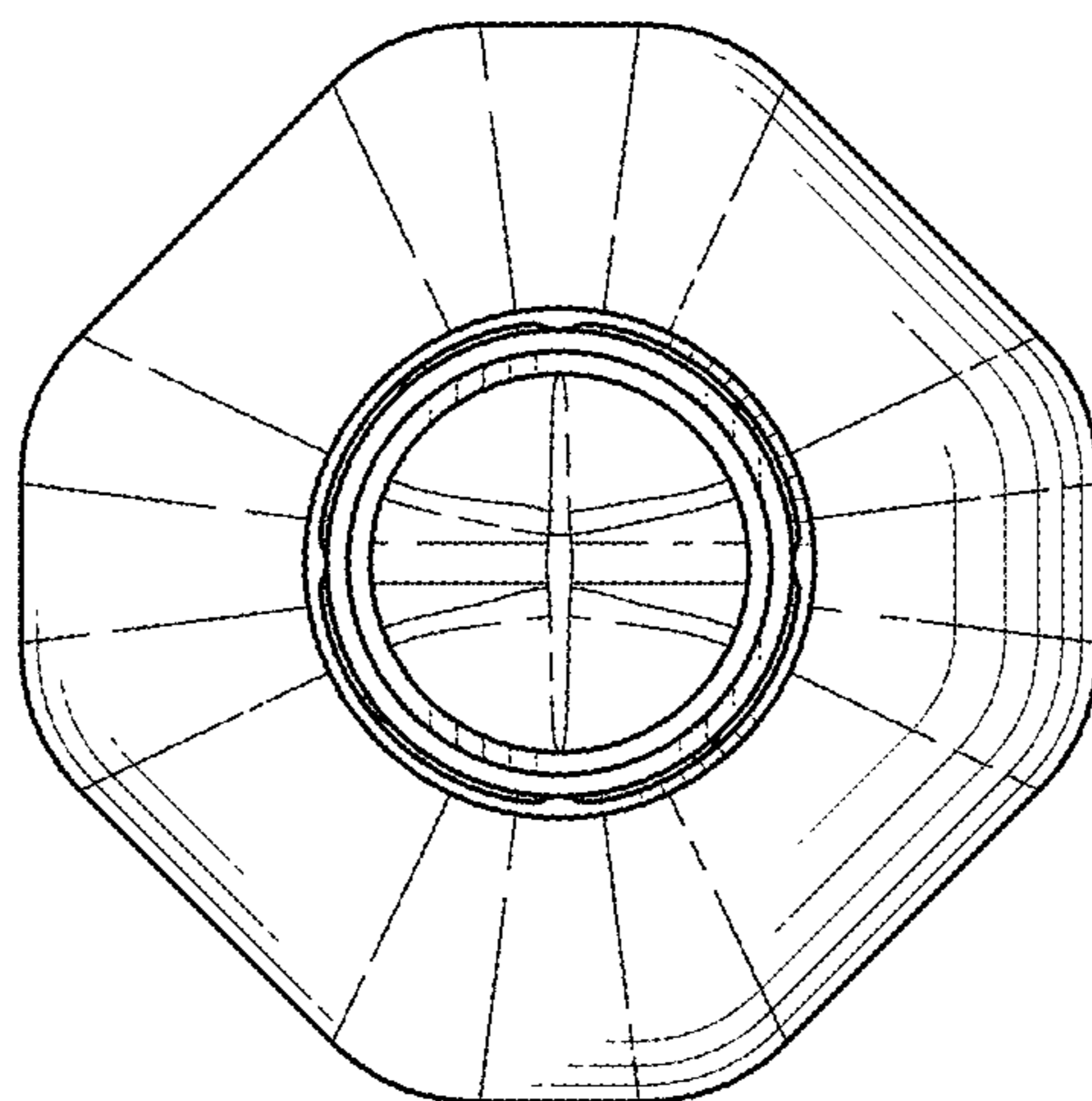


FIG. 7

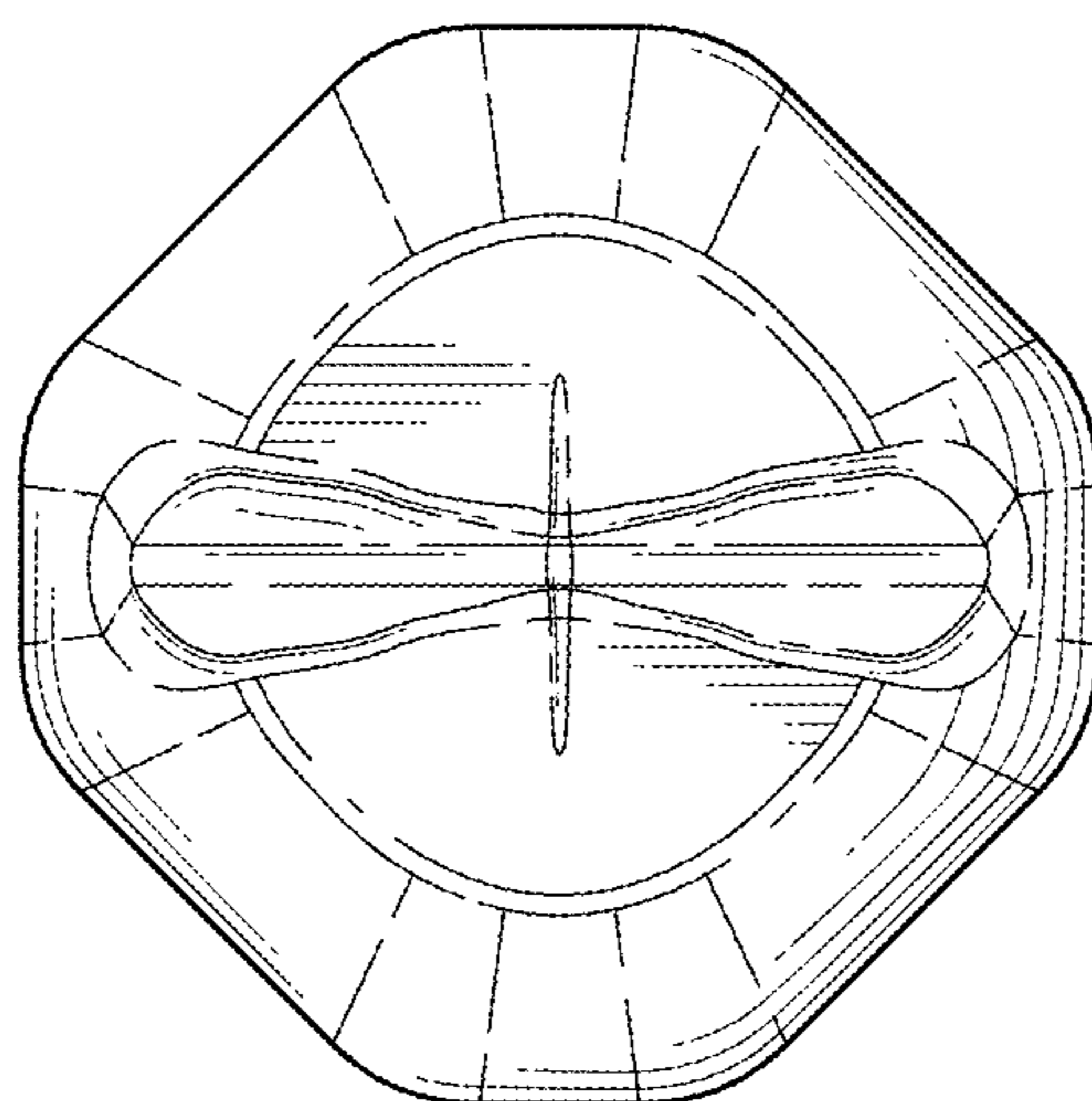


FIG. 8