



US00D817177S

(12) **United States Design Patent**
Flood et al.

(10) **Patent No.:** **US D817,177 S**

(45) **Date of Patent:** **** May 8, 2018**

(54) **BOTTLE**

(71) Applicant: **Berlin Packaging, LLC**, Chicago, IL (US)

(72) Inventors: **Nora Flood**, Chicago, IL (US); **Liam Hawry**, Chicago, IL (US); **Noah Wangerin**, Chicago, IL (US)

(73) Assignee: **Berlin Packaging, LLC**, Chicago, IL (US)

(**) Term: **15 Years**

(21) Appl. No.: **29/544,535**

(22) Filed: **Nov. 4, 2015**

(51) **LOC (11) Cl.** **09-01**

(52) **U.S. Cl.**

USPC **D9/550**; D9/575; D9/543

(58) **Field of Classification Search**

USPC D9/516, 520, 539–543, 549, 550, 551, D9/552, 575, 600, 653, 669, 715, 719

CPC .. B65D 23/102; B65D 1/0223; B65D 1/0276; B65D 2543/00944

See application file for complete search history.

(56) **References Cited**

U.S. PATENT DOCUMENTS

D204,711 S *	5/1966	Plummer	D9/539
D255,326 S *	6/1980	Pettengill	D9/555
D259,094 S *	5/1981	Weckman	D9/529
D362,385 S *	9/1995	Wacker	D9/519
D380,388 S *	7/1997	Rowe	D9/548
D381,272 S *	7/1997	Coons	D9/540
D404,310 S *	1/1999	Martin	D9/537
D430,804 S *	9/2000	Bulsink	D9/540
D432,020 S *	10/2000	Steward	D9/520
D446,727 S *	8/2001	Cummings	D9/530
D555,492 S *	11/2007	Lockman	D9/550

D635,863 S *	4/2011	Barre	D9/542
D653,112 S *	1/2012	White	D9/529
D720,626 S *	1/2015	Kawaja	D9/658
D789,209 S *	6/2017	Fine	D9/516

* cited by examiner

Primary Examiner — Ian Simmons

Assistant Examiner — Keith Frank

(74) *Attorney, Agent, or Firm* — Adam K. Sacharoff; Much Shelist, P.C.

(57) **CLAIM**

The ornamental design for a bottle, as shown and described.

DESCRIPTION

FIG. 1 is a top, right side perspective view showing a first embodiment of a new design for a bottle;

FIG. 2 is bottom, left side perspective view of the bottle from FIG. 1;

FIG. 3 is a front elevation view of the bottle from FIG. 1;

FIG. 4 is a rear elevation view of the bottle from FIG. 1;

FIG. 5 is a right side view of the bottle from FIG. 1;

FIG. 6 is a left side view of the bottle from FIG. 1;

FIG. 7 is a top plan view of the bottle from FIG. 1;

FIG. 8 is a bottom plan view of the bottle from FIG. 1;

FIG. 9 is a top, right side perspective view showing a second embodiment of the new design for a bottle;

FIG. 10 is bottom, left side perspective view of the bottle from FIG. 9;

FIG. 11 is a front elevation view of the bottle from FIG. 9;

FIG. 12 is a rear elevation view of the bottle from FIG. 9;

FIG. 13 is a right side view of the bottle from FIG. 9;

FIG. 14 is a left side view of the bottle from FIG. 9;

FIG. 15 is a top plan view of the bottle from FIG. 9; and,

FIG. 16 is a bottom plan view of the bottle from FIG. 9.

The broken lines in the drawings showing the bottle illustrate the portion of the bottle that form no part of the claimed design.

1 Claim, 16 Drawing Sheets

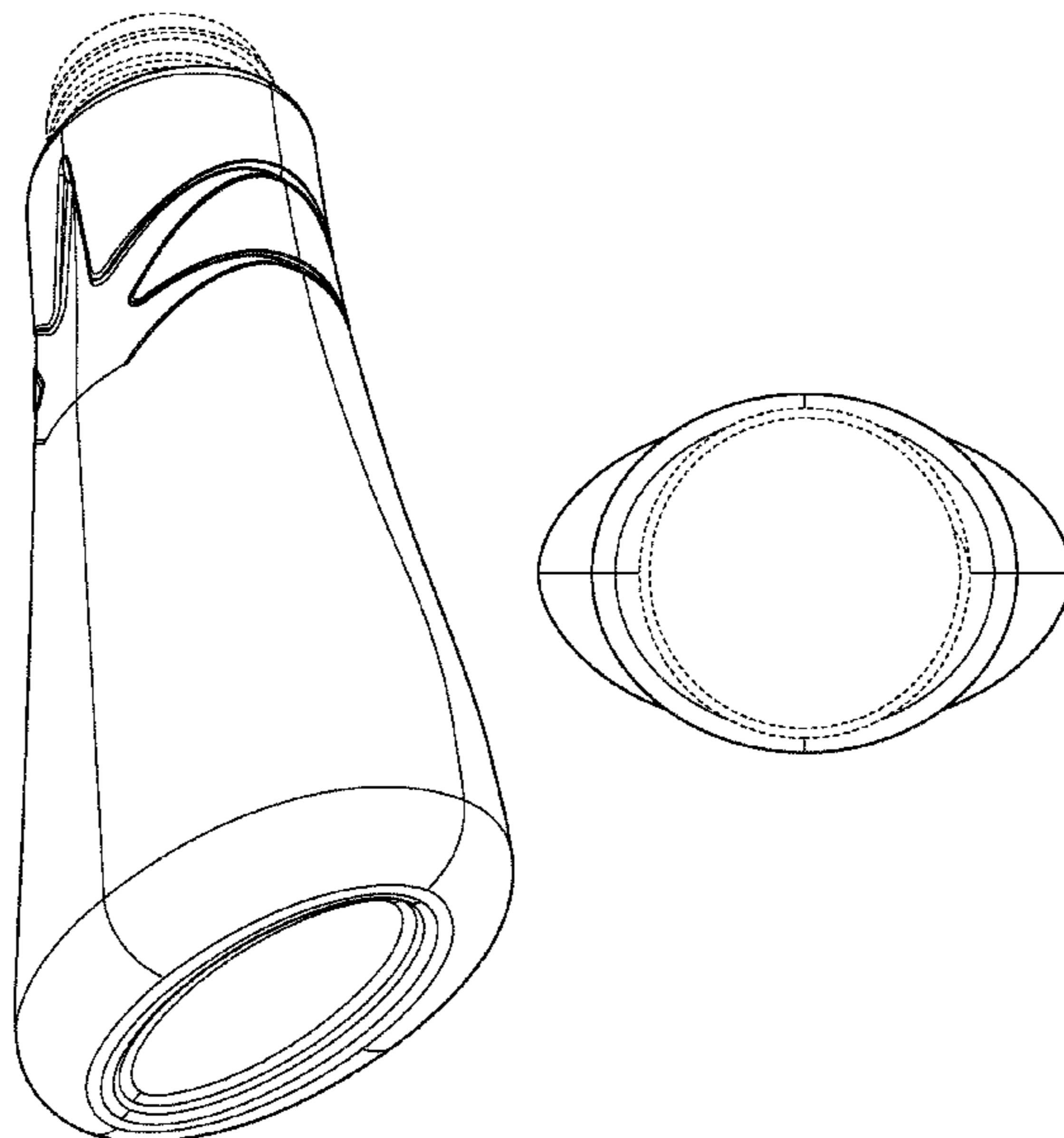


FIGURE 1

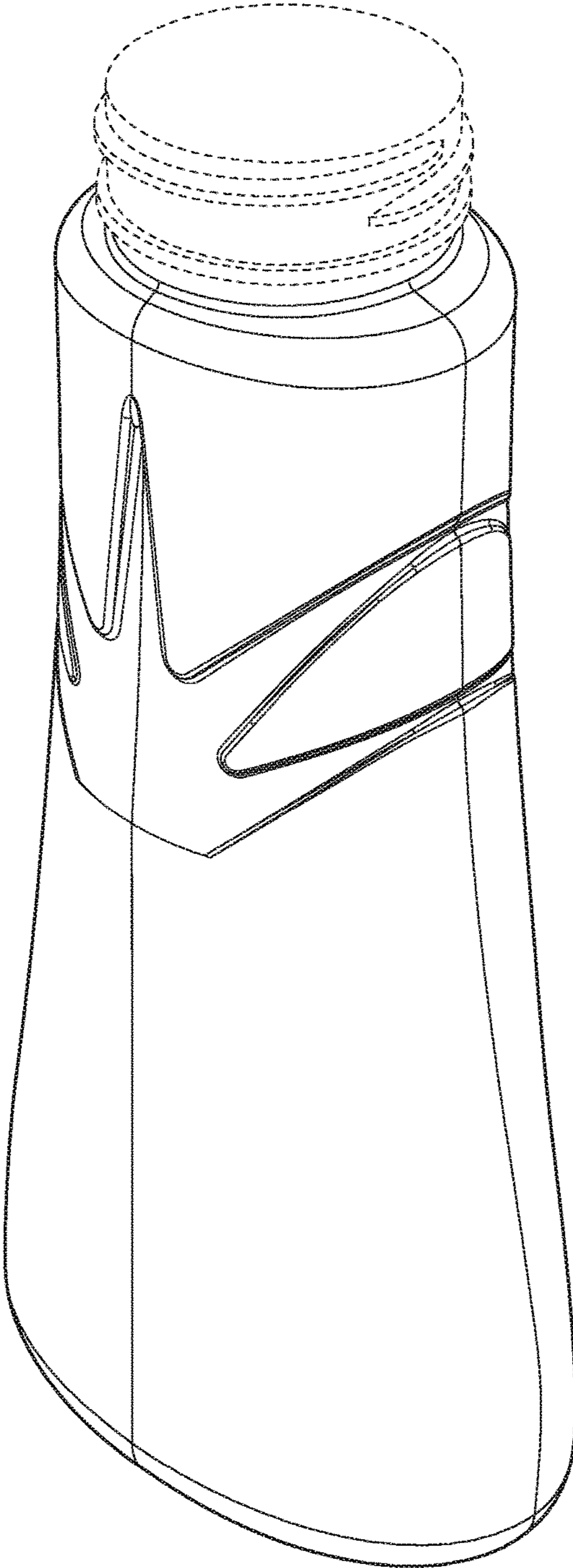


FIGURE 2

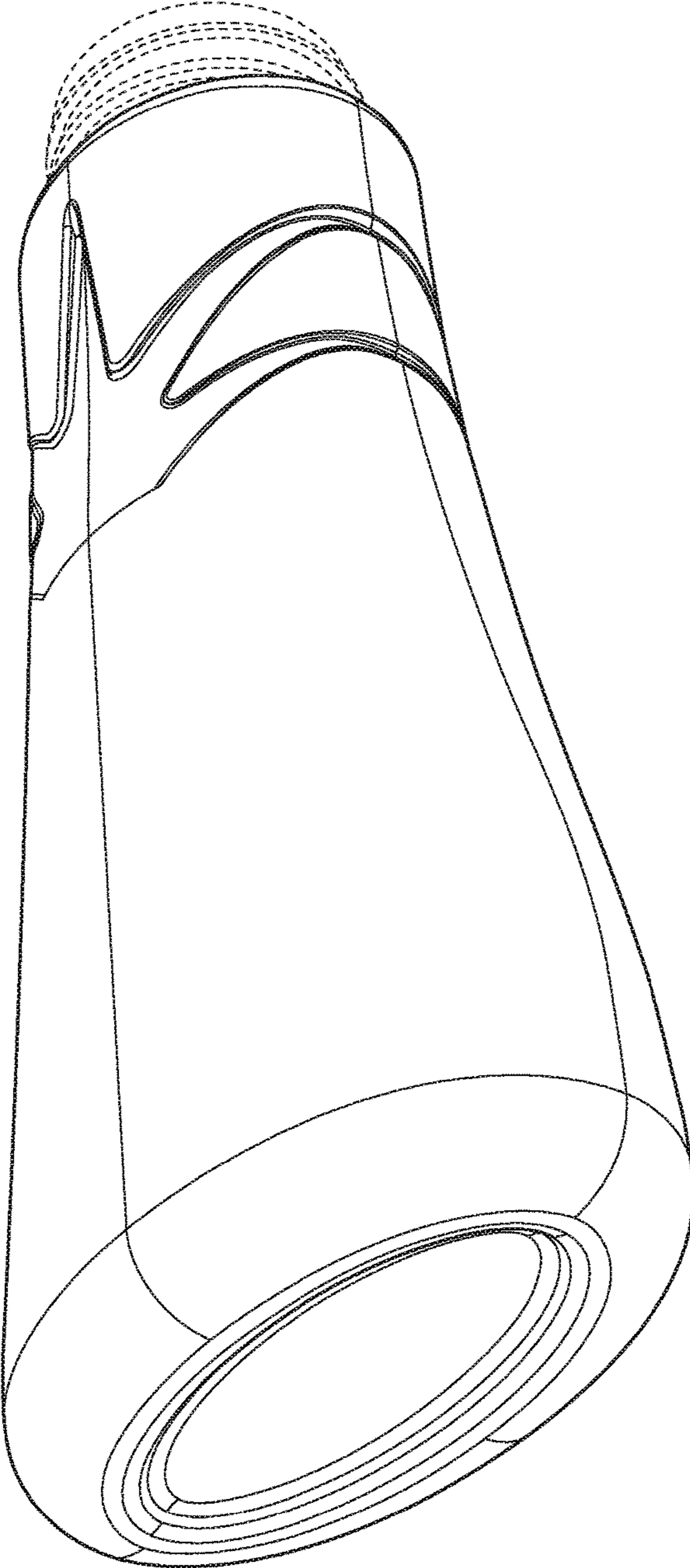


FIGURE 3

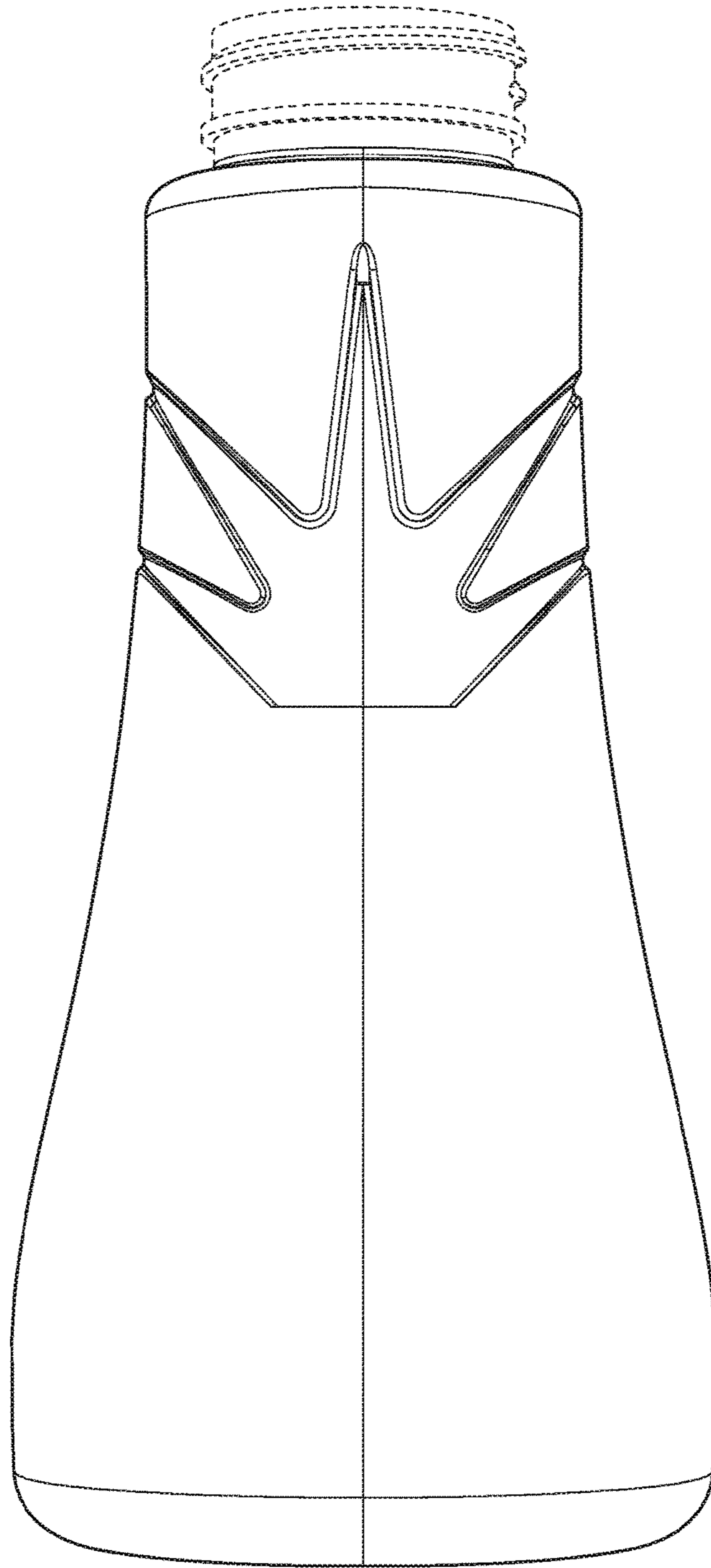


FIGURE 4

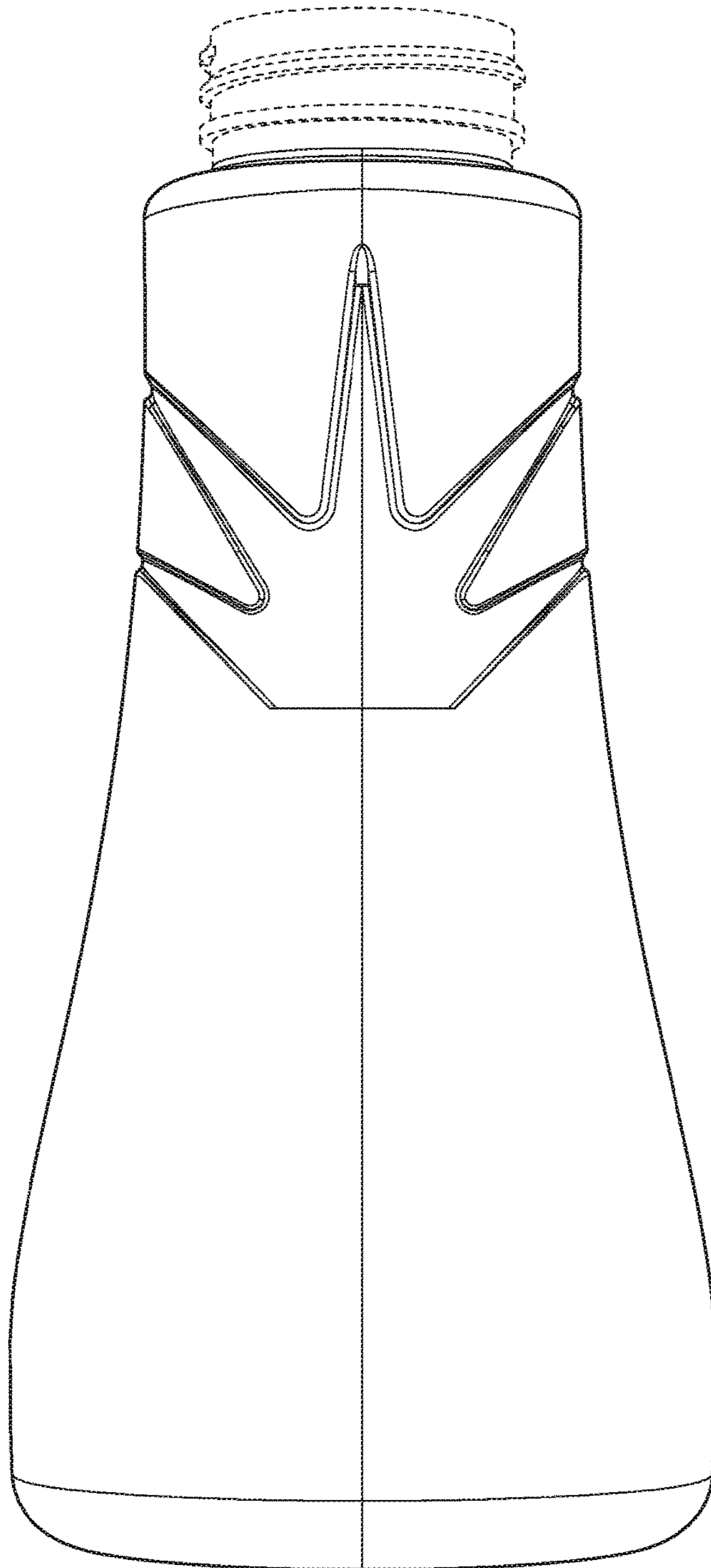


FIGURE 5

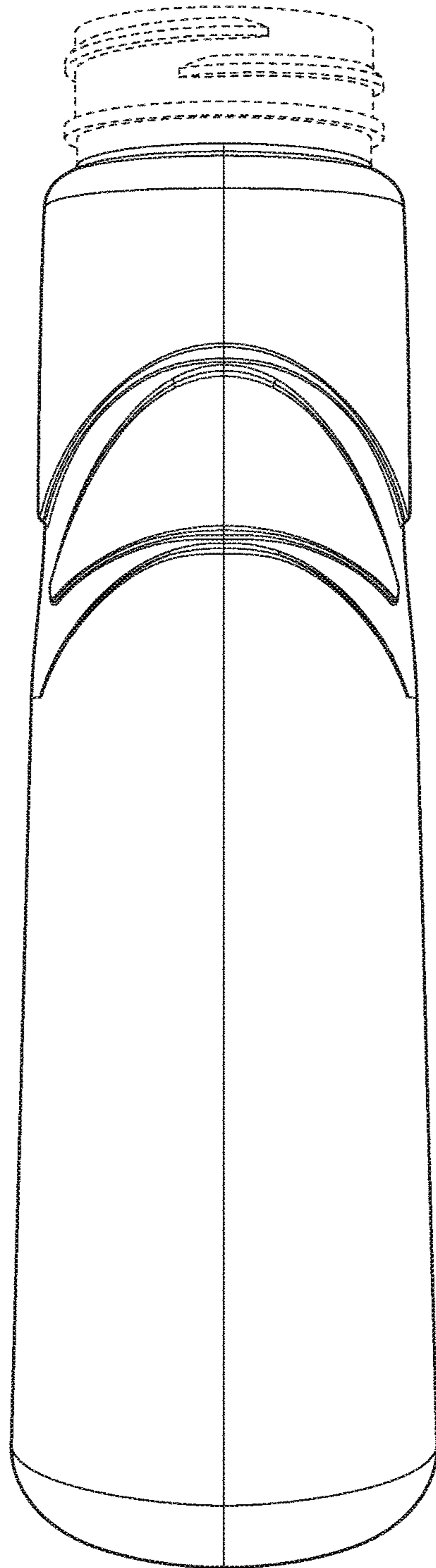


FIGURE 6

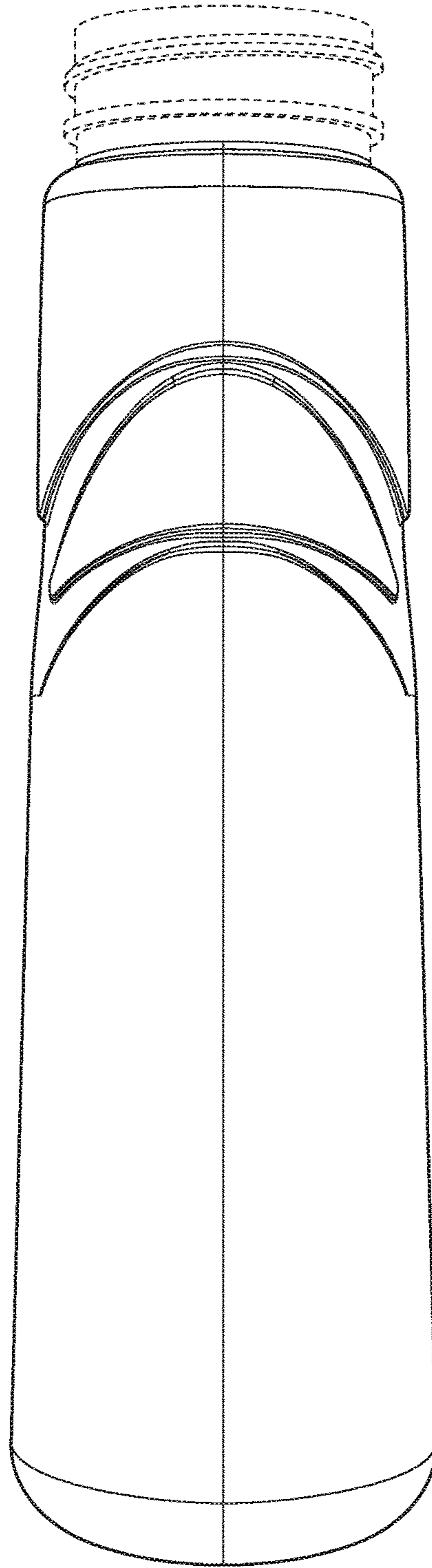


FIGURE 7

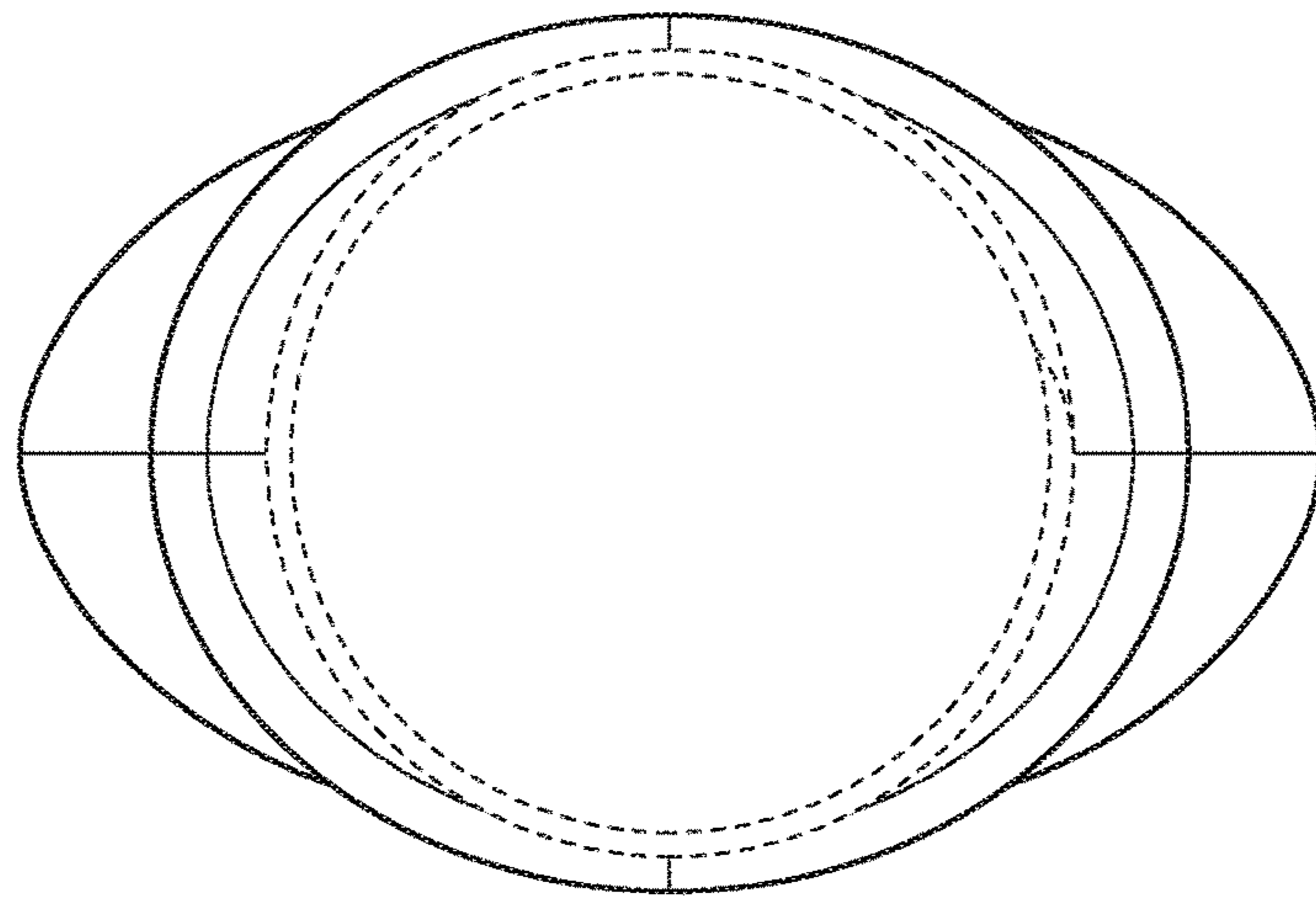


FIGURE 8

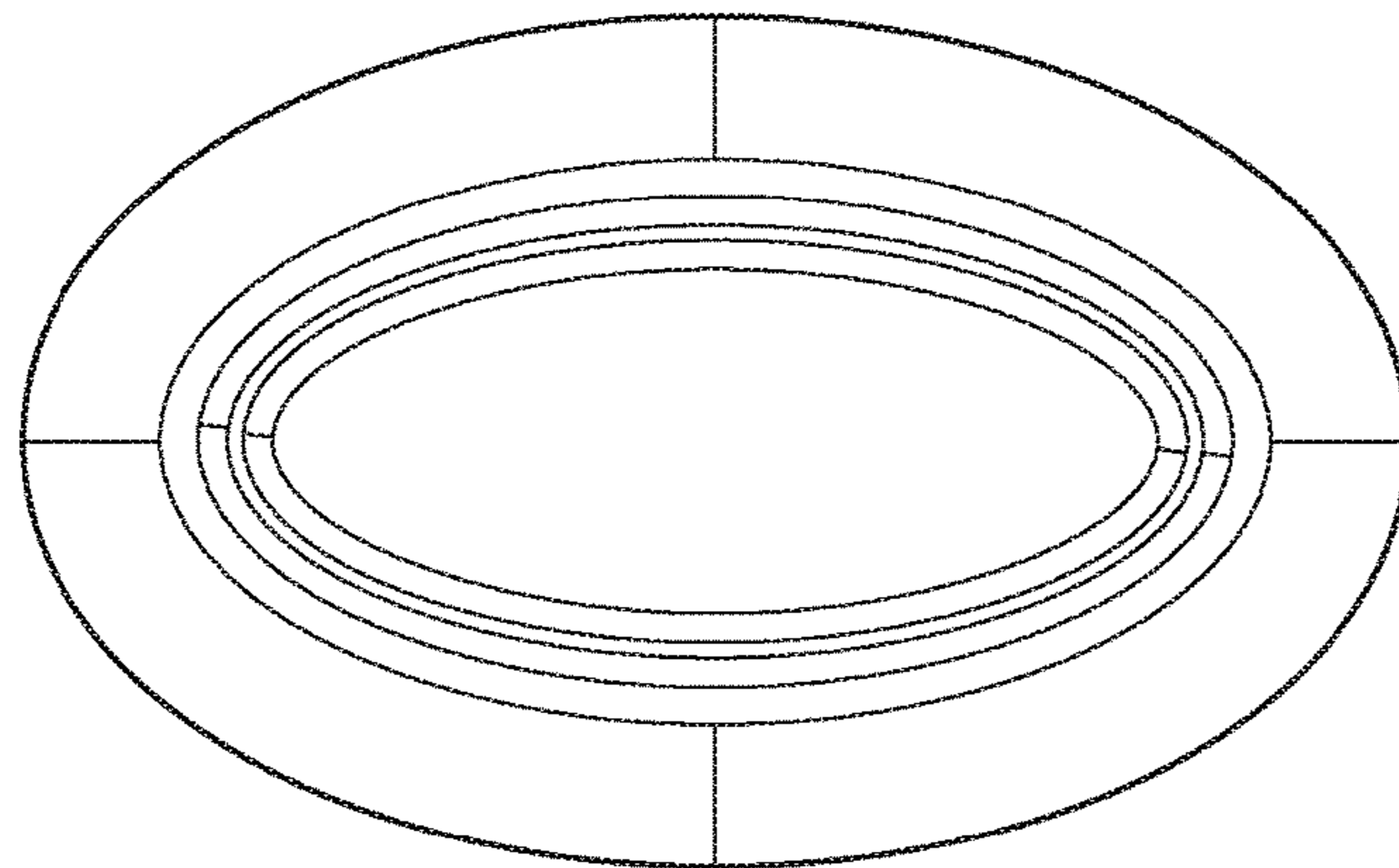


FIGURE 9

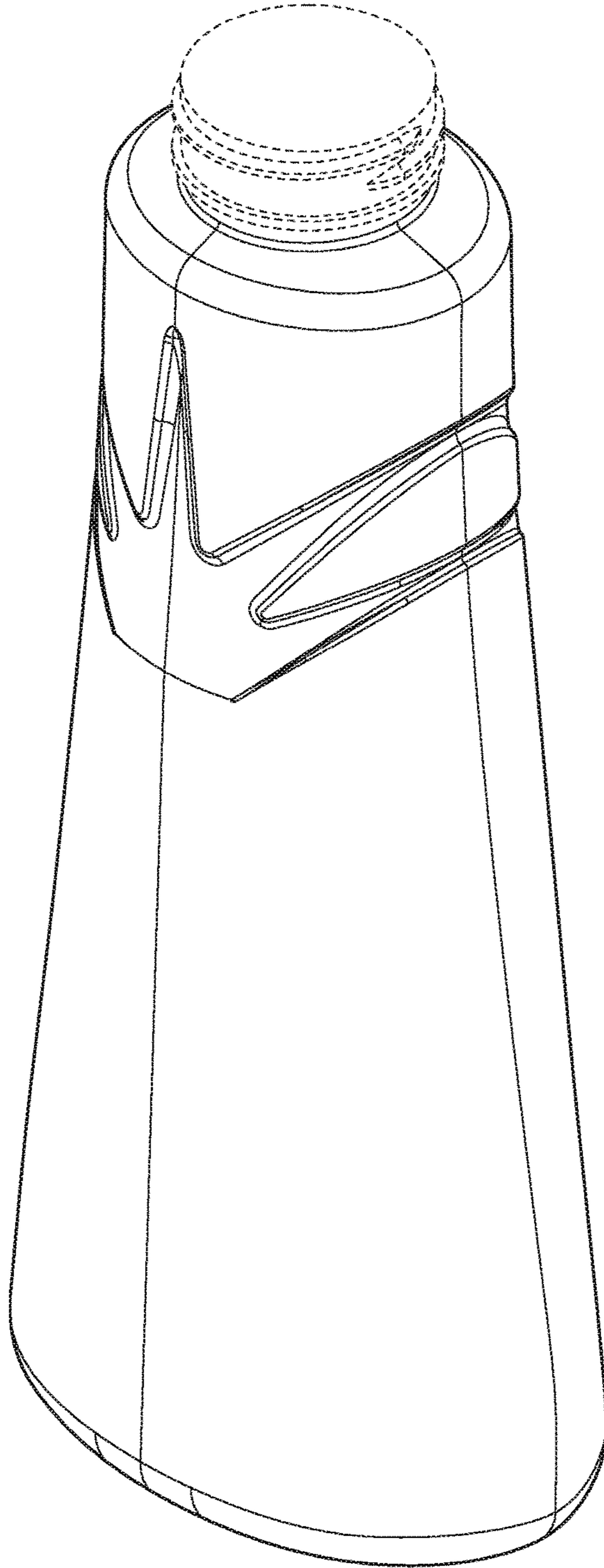


FIGURE 10

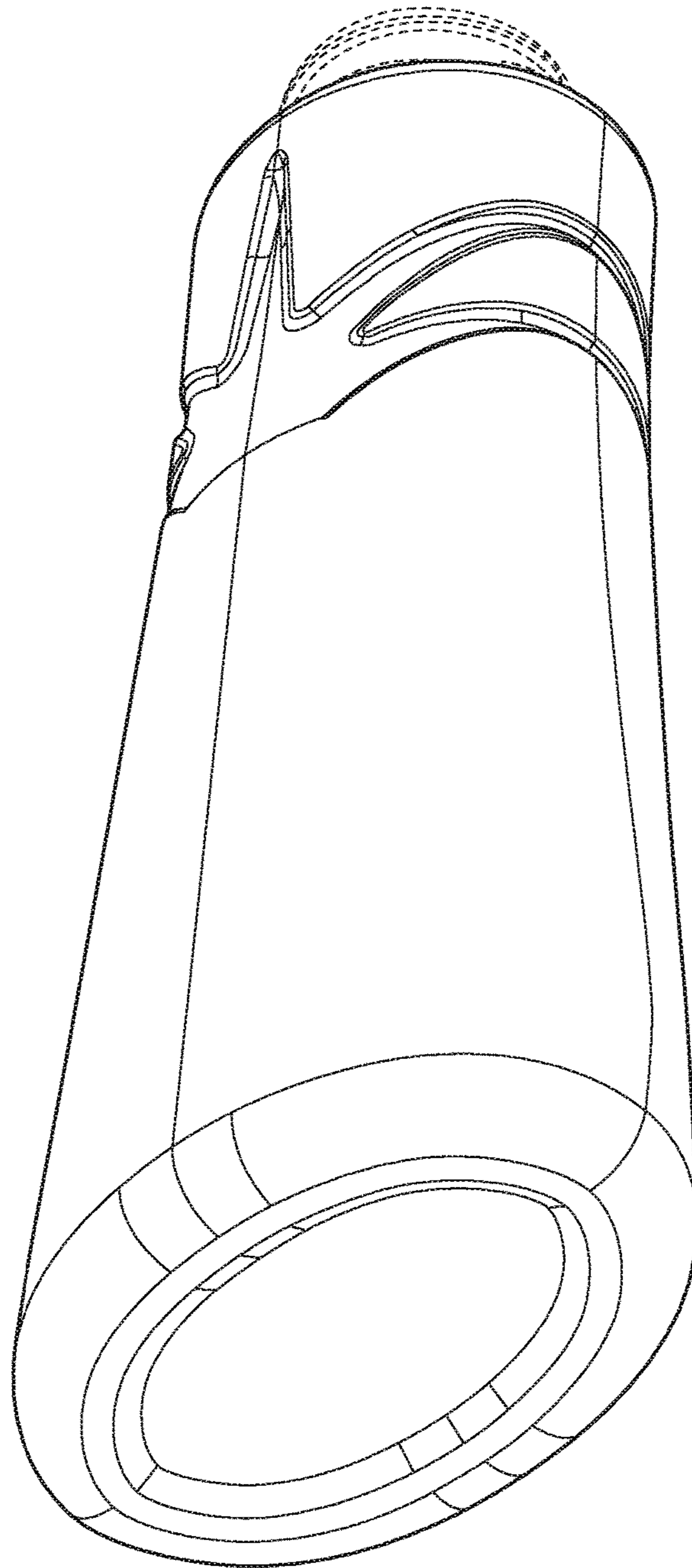


FIGURE 11

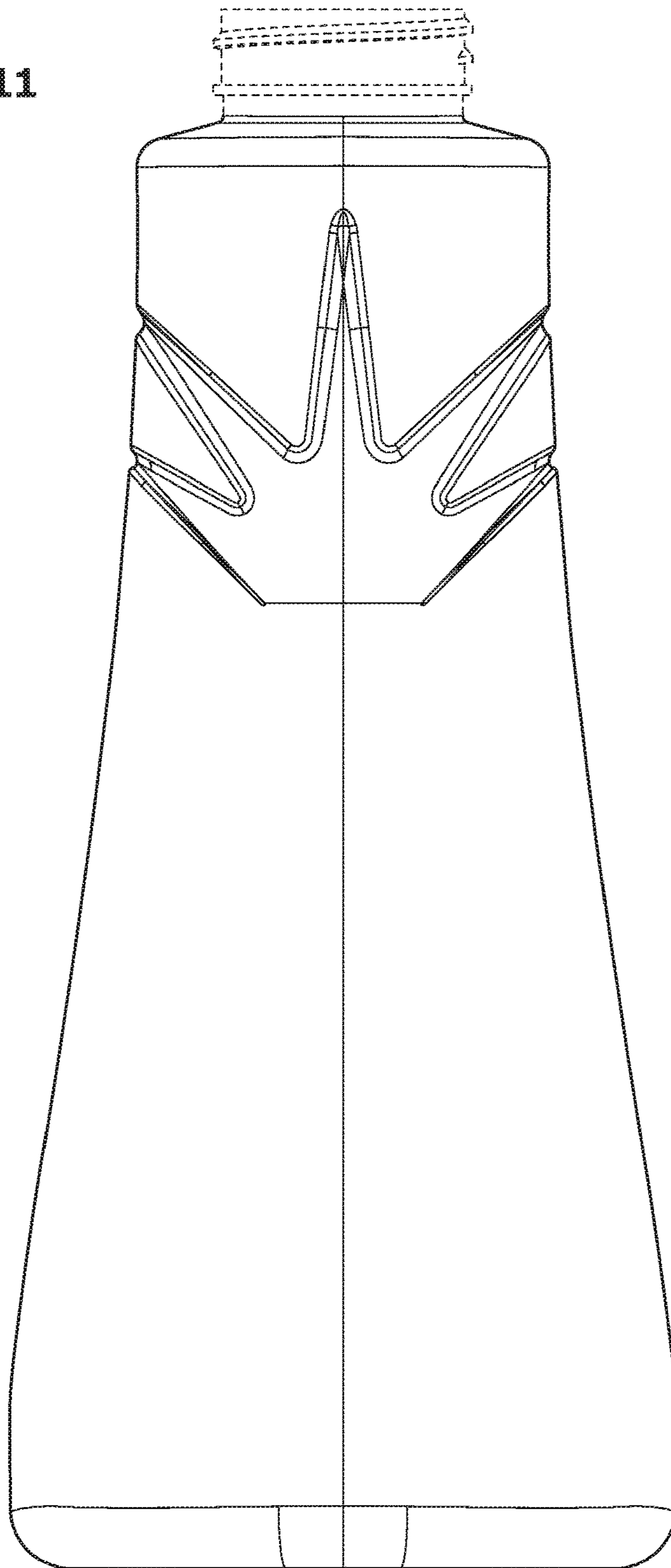


FIGURE 12

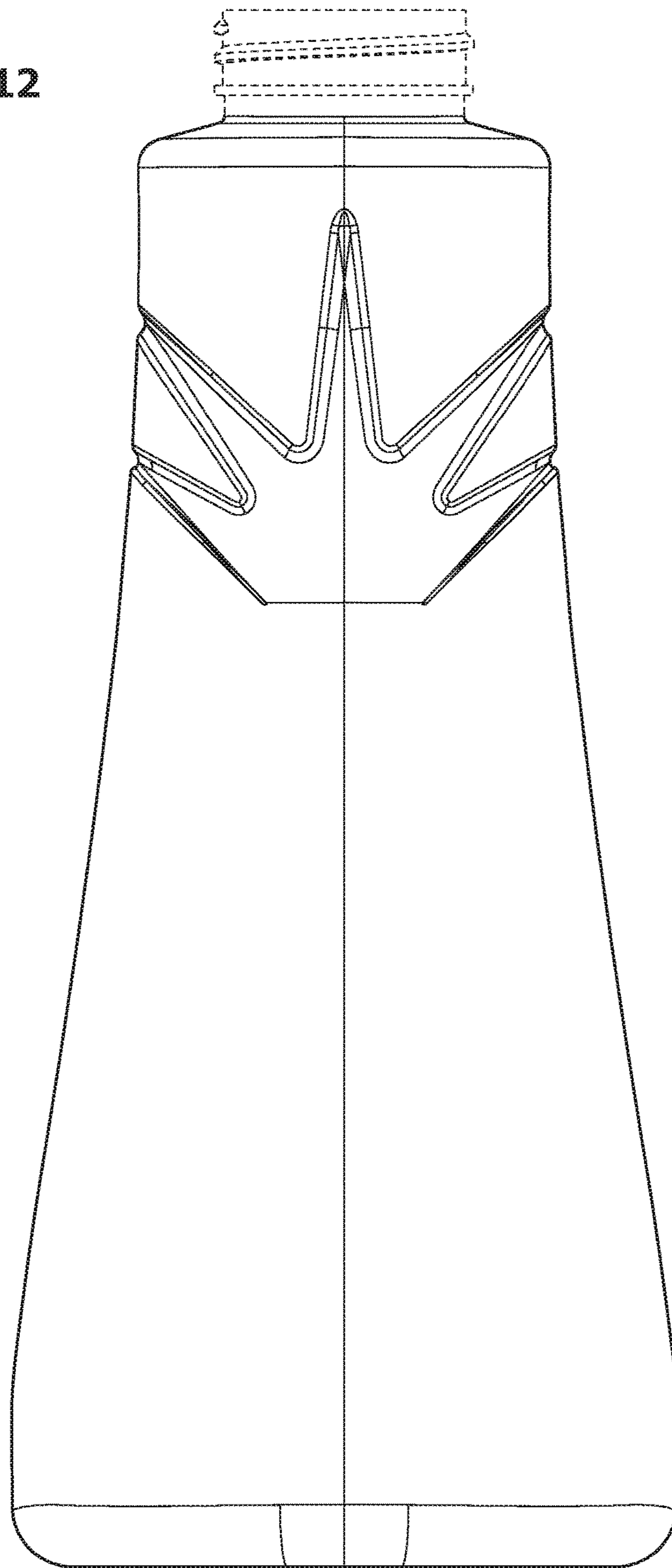


FIGURE 13

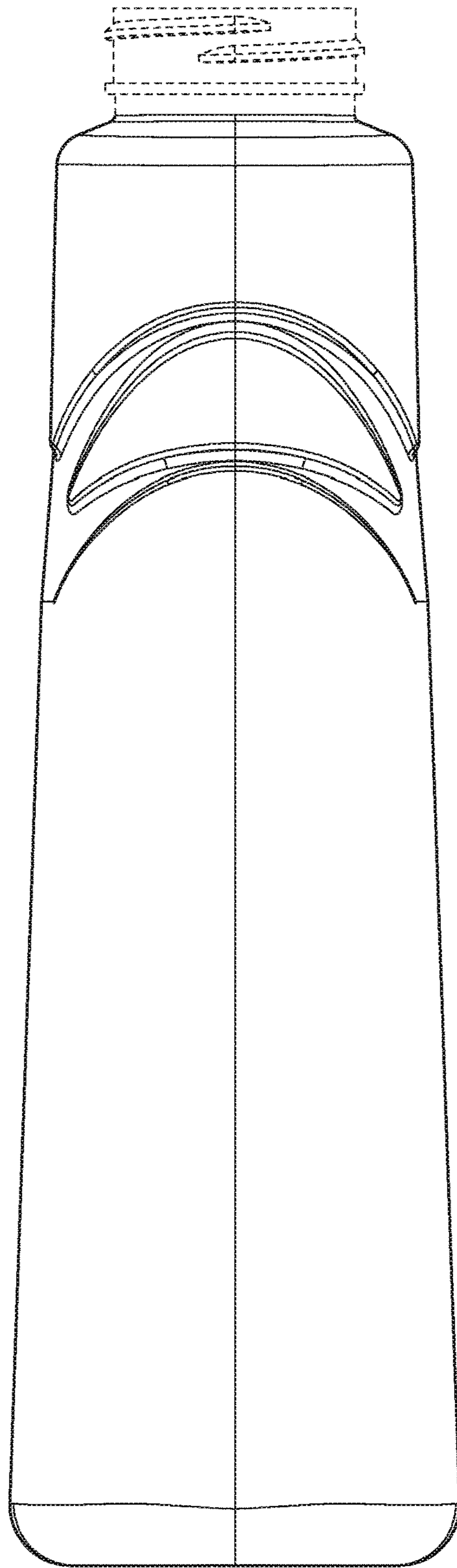


FIGURE 14

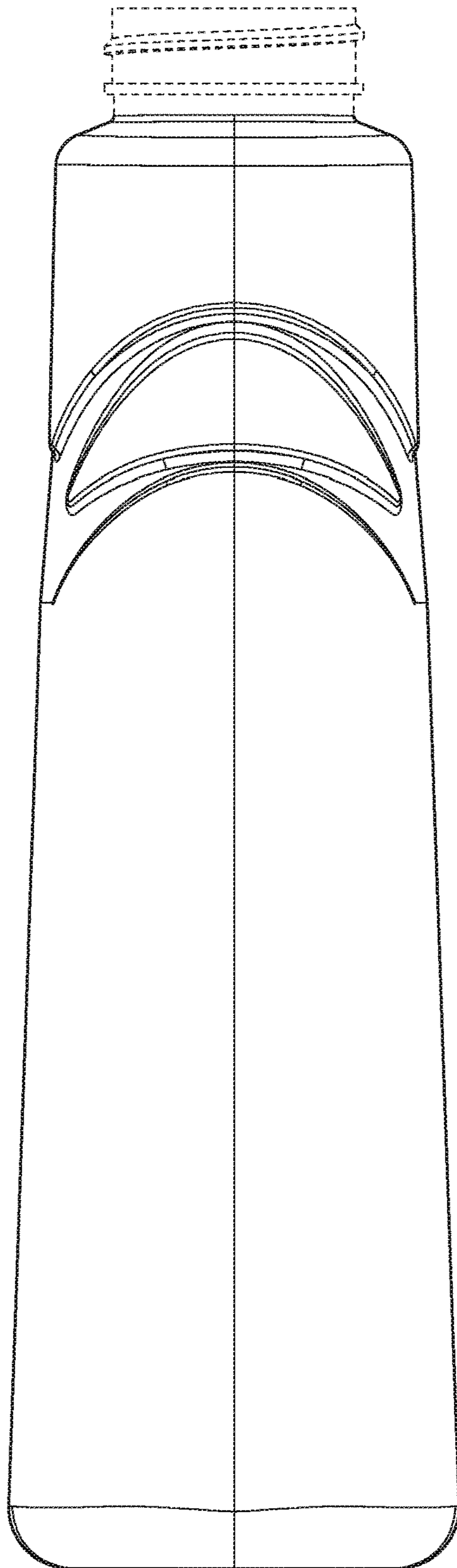


FIGURE 15

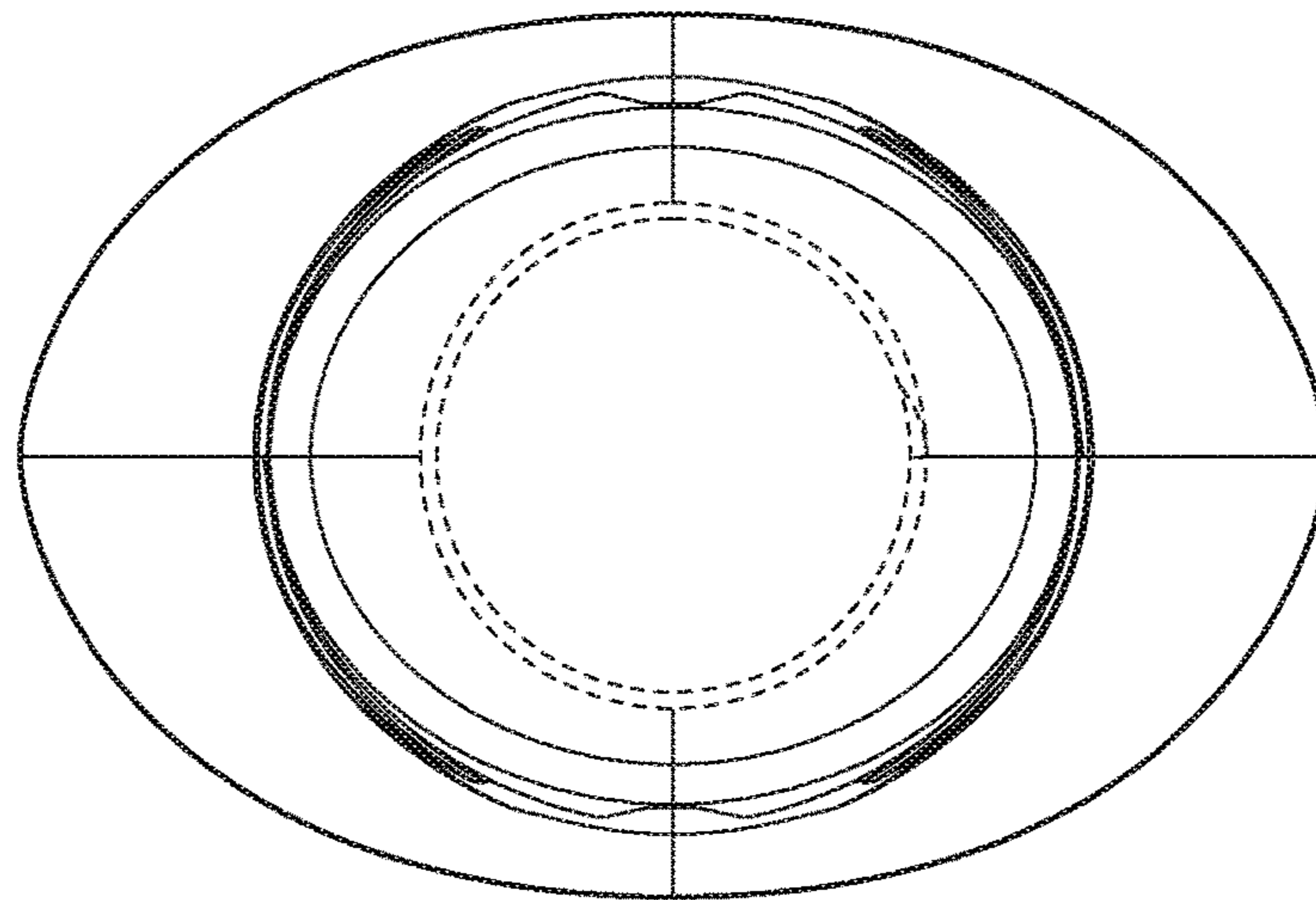


FIGURE 16

