



US00D817175S

(12) **United States Design Patent** (10) **Patent No.:** **US D817,175 S**
Gelov (45) **Date of Patent:** **** May 8, 2018**

- (54) **BOTTLE AND CAP**
- (71) Applicant: **TC Heartland LLC**, Carmel, IN (US)
- (72) Inventor: **Teodor Gelov**, Carmel, IN (US)
- (73) Assignee: **TC Heartland LLC**, Carmel, IN (US)
- (**) Term: **14 Years**
- (21) Appl. No.: **29/523,076**
- (22) Filed: **Apr. 6, 2015**

Related U.S. Application Data

- (60) Division of application No. 29/423,021, filed on May 25, 2012, now Pat. No. Des. 738,732, which is a (Continued)
- (51) **LOC (11) Cl.** **09-01**
- (52) **U.S. Cl.**
USPC **D9/529**
- (58) **Field of Classification Search**
USPC D9/529, 530, 449, 442, 447, 516,
D9/532-543, 559, 563; D28/82;
D3/203.1, 203.2-203.4, 203.7
(Continued)

(56) **References Cited**

U.S. PATENT DOCUMENTS

- 1,206,661 A 11/1916 Booth
 - 1,825,553 A 9/1931 Smith
- (Continued)

FOREIGN PATENT DOCUMENTS

- EP 0 395 380 B1 9/1993
 - EP 0 545 678 B1 2/1998
- (Continued)

OTHER PUBLICATIONS

“Aleve” Jul. 14, 2014, nationalpainreport.com, site visited Jan. 20, 2017 <<http://nationalpainreport.com/naproxen-raises-risk-of-heart-problems-in-older-women-8824234.html>>.*

(Continued)

Primary Examiner — Kevin K Rudzinski
Assistant Examiner — Paul D Bohannon
 (74) *Attorney, Agent, or Firm* — Leydig, Voit & Mayer, Ltd.; John Augustya

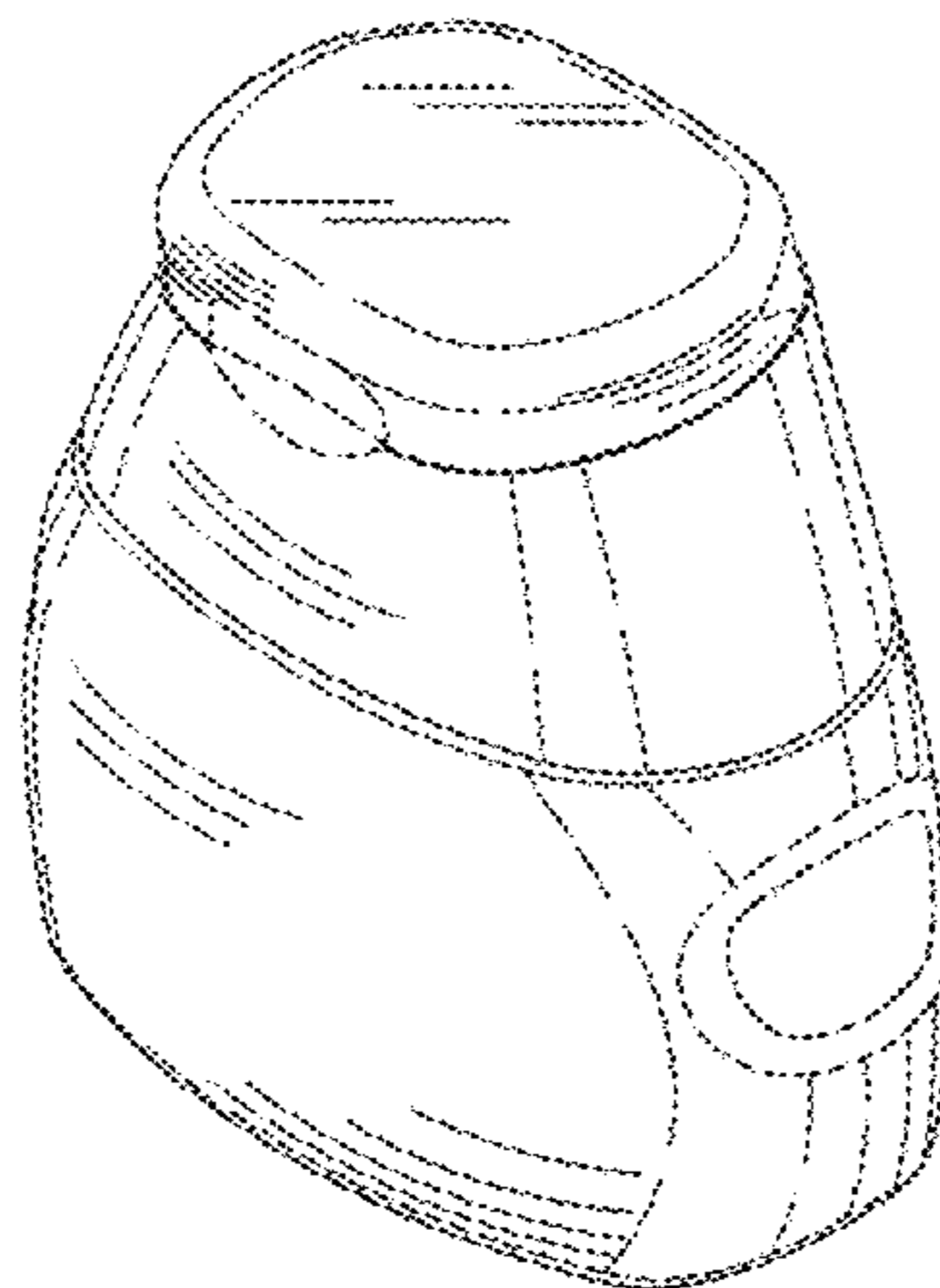
(57) **CLAIM**

The ornamental design for a bottle and cap, as shown and described.

DESCRIPTION

FIG. 1 is a perspective view of the bottle and cap.
 FIG. 2 is top plan view thereof.
 FIG. 3 is a bottom plan view thereof.
 FIG. 4 is a front elevational view thereof.
 FIG. 5 is a back elevational view thereof.
 FIG. 6 is a right side elevational view thereof.
 FIG. 7 is a left side elevational view thereof.
 FIG. 8 is a perspective view of a second embodiment of the bottle and cap.
 FIG. 9 is top plan view thereof.
 FIG. 10 is a bottom plan view thereof.
 FIG. 11 is a front elevational view thereof.
 FIG. 12 is a back elevational view thereof.
 FIG. 13 is a right side elevational view thereof.
 FIG. 14 is a left side elevational view thereof.
 FIG. 15 is a perspective view of a third embodiment of the bottle and cap.
 FIG. 16 is top plan view thereof.
 FIG. 17 is a bottom plan view thereof.
 FIG. 18 is a front elevational view thereof.
 FIG. 19 is a back elevational view thereof.
 FIG. 20 is a right side elevational view thereof; and,
 FIG. 21 is a left side elevational view thereof.
 The broken lines in the views depict environmental structure that is shown for illustrative purposes only and that does not form any part of the claimed design.

1 Claim, 12 Drawing Sheets



Related U.S. Application Data

continuation-in-part of application No. 29/407,664,
filed on Nov. 30, 2011, now Pat. No. Des. 720,622.

(58) **Field of Classification Search**

CPC B65D 35/56
See application file for complete search history.

(56) **References Cited**

U.S. PATENT DOCUMENTS

1,989,714 A 2/1935 Statham
2,175,052 A 10/1939 Bull et al.
D202,662 S 10/1965 Williams
3,231,155 A 1/1966 McConnell
D211,316 S 6/1968 Kusterman
3,490,488 A 1/1970 Grist
3,907,145 A 9/1975 Horvath
D240,829 S 8/1976 Jones
3,980,194 A 9/1976 Costa
RE29,779 E 9/1978 Morris
4,375,859 A 3/1983 Fillmore
4,519,530 A 5/1985 Schmidt
4,524,876 A 6/1985 Kusz
4,533,058 A 8/1985 Uhlig
4,545,495 A 10/1985 Kinsley
D285,659 S 9/1986 Paulovich et al.
4,625,898 A 12/1986 Hazard
4,653,676 A 3/1987 Stull
4,728,006 A 3/1988 Drobish et al.
4,749,108 A 6/1988 Dornsbusch et al.
4,793,501 A 12/1988 Beck
4,793,502 A 12/1988 Beck
4,801,054 A 1/1989 Nycz
4,805,790 A 2/1989 Leonetti et al.
4,991,745 A 2/1991 Brown
5,033,655 A 7/1991 Brown
5,038,974 A 8/1991 DaCosta
5,071,017 A 12/1991 Stull
5,097,974 A 3/1992 Rozenberg
5,115,950 A 5/1992 Rohr
5,213,236 A 5/1993 Brown et al.
D336,614 S 6/1993 Crawford
5,292,017 A 3/1994 Reifers
D347,389 S 5/1994 Crawford
D349,058 S 7/1994 Farce
5,339,995 A 8/1994 Brown et al.
5,377,877 A 1/1995 Brown et al.
D356,038 S 3/1995 Biesecker
5,409,144 A 4/1995 Brown
5,439,143 A 8/1995 Brown et al.
5,588,546 A 12/1996 Farside
D379,930 S 6/1997 Gobe
D380,389 S 7/1997 Crawford
5,642,824 A 7/1997 Hess, III et al.
D391,855 S 3/1998 Fenton et al.
D392,193 S 3/1998 Crawford
5,743,443 A 4/1998 Hins
D398,530 S 9/1998 Gavin
5,839,614 A 11/1998 Brown
D407,316 S 3/1999 Zaksenberg
5,904,275 A 5/1999 Suffa
D412,121 S 7/1999 Crawford
5,927,566 A 7/1999 Mueller
D413,268 S 8/1999 Crawford
5,936,208 A 8/1999 Hamery
5,944,234 A 8/1999 Lampe et al.
D414,425 S 9/1999 Crawford
5,954,237 A 9/1999 Lampe et al.
6,062,436 A 5/2000 Fuchs
6,065,642 A 5/2000 Brown
6,070,693 A 6/2000 Hamery
D428,344 S 7/2000 Preston
6,112,951 A 9/2000 Mueller
D433,333 S 11/2000 Kokenge et al.
6,152,320 A 11/2000 Hierzer et al.
D436,317 S 1/2001 Jones et al.

D437,559 S 2/2001 Fenton et al.
6,191,691 B1 2/2001 Serrault
D438,459 S 3/2001 Holthaus
D439,165 S 3/2001 Erckelbout et al.
6,230,940 B1 5/2001 Manning et al.
6,269,986 B1 8/2001 Gross
6,273,296 B1 8/2001 Brown
6,279,783 B1 8/2001 Brown et al.
D447,953 S 9/2001 Brynestad et al.
6,293,437 B1 9/2001 Socier et al.
D449,536 S 10/2001 Kokubo et al.
6,321,923 B1 11/2001 Wood
6,371,340 B1 4/2002 Pateman et al.
6,405,901 B1 6/2002 Schantz et al.
D459,659 S 7/2002 Chung
D460,348 S 7/2002 Crawford et al.
6,427,874 B2 8/2002 Brown et al.
D463,280 S 9/2002 Brozell
D463,744 S 10/2002 Brozell
D463,747 S 10/2002 Peon et al.
D463,983 S 10/2002 Wendt et al.
6,460,726 B1 10/2002 Hierzer et al.
D471,818 S 3/2003 Weber
6,530,504 B2 3/2003 Socier
6,543,652 B1 4/2003 Kelder et al.
D480,008 S 9/2003 Maus
6,616,012 B2 9/2003 Dark
D482,286 S 11/2003 Samson et al.
D484,808 S 1/2004 Thierjung et al.
6,672,487 B1 1/2004 Lohrman
D486,065 S 2/2004 Hutchinson et al.
D488,383 S 4/2004 Kudo et al.
D489,626 S 5/2004 Pitassi
6,769,577 B1 8/2004 Feierabend
D496,284 S 9/2004 Bain
6,786,363 B1 9/2004 Lohrman
D497,810 S 11/2004 Maus
D498,144 S 11/2004 Illenberger et al.
D498,415 S 11/2004 Schuller et al.
D498,680 S 11/2004 Cleary
6,821,239 B2 11/2004 Hierzer et al.
D503,626 S 4/2005 Maus
D504,320 S 4/2005 Maus
D506,140 S 6/2005 Maus
6,910,607 B2 6/2005 Gaiser et al.
D510,029 S 9/2005 Marcot
6,951,295 B1 10/2005 Gaus et al.
D511,970 S 11/2005 Cleary
D523,754 S 6/2006 Williams
D525,136 S * 7/2006 Bakic D28/82
7,077,296 B2 7/2006 Brown et al.
D527,640 S 9/2006 Cummings et al.
D529,810 S 10/2006 Davies et al.
D529,812 S 10/2006 Ratzlaff
7,128,245 B2 10/2006 Lee
D535,565 S 1/2007 Pitassi
D536,253 S 2/2007 Howes et al.
D538,668 S 3/2007 Campbell et al.
D539,155 S 3/2007 Steinmann
7,198,180 B2 4/2007 Foster et al.
D542,141 S 5/2007 Okin et al.
D543,115 S 5/2007 Flurer et al.
D544,351 S 6/2007 Dittmer et al.
D545,201 S 6/2007 Pitassi
D547,190 S 7/2007 Kuzma et al.
D548,097 S 8/2007 Whipple
7,255,250 B2 8/2007 Pugne
7,281,638 B2 10/2007 Hierzer et al.
7,398,900 B2 7/2008 Friedman
D574,246 S 8/2008 Russell et al.
D580,767 S 11/2008 Okin et al.
D581,794 S 12/2008 Haubert, III et al.
D585,290 S 1/2009 Toh
D587,117 S 2/2009 Crawford
D588,459 S 3/2009 Davis et al.
D588,460 S 3/2009 Davis et al.
D588,462 S 3/2009 Davis et al.
7,503,469 B2 3/2009 Bloom et al.
7,510,095 B2 3/2009 Comeau et al.

(56)

References Cited

U.S. PATENT DOCUMENTS

D592,957 S 5/2009 Davis et al.
 D598,752 S 8/2009 Wilson et al.
 D601,899 S 10/2009 Davis et al.
 D602,356 S 10/2009 Shurtleff et al.
 D604,628 S 11/2009 Schultz
 D605,510 S * 12/2009 Weber D9/449
 7,637,402 B2 12/2009 Romanov et al.
 D607,738 S 1/2010 Kuzma et al.
 D607,742 S 1/2010 Kuzma et al.
 D608,639 S * 1/2010 Jackel D9/449
 D609,098 S 2/2010 Almstead, Jr. et al.
 D609,572 S * 2/2010 Ribadeneira Mejia D9/442
 D610,022 S 2/2010 Kanfer et al.
 D612,737 S * 3/2010 Bansal D9/447
 D612,738 S * 3/2010 Bansal D9/447
 7,681,750 B2 3/2010 Jäckel
 D613,173 S * 4/2010 Bansal D9/447
 D613,176 S 4/2010 Gameros et al.
 7,699,193 B2 4/2010 Feierabend
 7,717,281 B2 5/2010 Baudin
 7,731,042 B2 6/2010 Blomdahl et al.
 7,735,699 B2 6/2010 Brannon et al.
 D621,260 S 8/2010 Brannon et al.
 7,784,652 B2 8/2010 Gaus et al.
 7,789,254 B2 9/2010 Geho
 7,810,663 B2 10/2010 Young
 D628,490 S 12/2010 Sato et al.
 D629,685 S 12/2010 Brannon et al.
 7,857,155 B2 12/2010 Roberts et al.
 7,861,393 B2 1/2011 Pugne
 7,870,980 B2 1/2011 Wilson et al.
 D632,962 S 2/2011 Traldi
 D635,023 S 3/2011 Stolle
 D635,860 S 4/2011 Sahu et al.
 D638,713 S 5/2011 de Cleir et al.
 D638,714 S 5/2011 de Cleir et al.
 D638,715 S 5/2011 Albaum et al.
 D644,530 S 9/2011 Padain et al.
 D644,531 S 9/2011 Padain et al.

D646,171 S 10/2011 Howell et al.
 8,511,472 B2 8/2013 Dupuis et al.
 D690,202 S 9/2013 Beck et al.
 D720,622 S * 1/2015 Gelov D9/449
 D722,876 S * 2/2015 Hughes D9/516
 D738,732 S * 9/2015 Gelov D9/529
 D756,793 S * 5/2016 Macias Mejia D9/529
 D757,557 S * 5/2016 Melms, Jr. D9/530
 D758,870 S * 6/2016 Macias Mejia D9/529
 D766,725 S * 9/2016 Flood D9/529
 D769,715 S * 10/2016 Bois D9/449
 D789,200 S * 6/2017 Deringer D9/435
 2001/0025862 A1 10/2001 Brown et al.
 2004/0251278 A1 12/2004 Arai
 2007/0023453 A1 2/2007 Simkins
 2007/0102455 A1 5/2007 Stark et al.
 2007/0253761 A1 11/2007 May
 2007/0289651 A1 12/2007 Brown et al.
 2008/0237271 A1 10/2008 Olechowski
 2008/0264961 A1 10/2008 Sawyer
 2008/0264979 A1 10/2008 Nijland et al.
 2009/0212078 A1 8/2009 Gaus
 2009/0236339 A1 9/2009 Blomdahl
 2011/0062107 A1 3/2011 Goto et al.

FOREIGN PATENT DOCUMENTS

EP 0 794 127 B1 6/2000
 EP 0 794 126 B1 8/2001
 EP 0 869 912 B1 3/2004
 EP 0 994 047 B1 8/2004
 EP 1 426 303 B1 11/2008
 WO WO 2011/031985 A2 3/2011

OTHER PUBLICATIONS

U.S. Appl. No. 29/423,021, filed May 25, 2012.
 U.S. Appl. No. 29/407,664, filed Nov. 30, 2011.
 Six photographs of bottle for Mio Liquid Water Enhancer, 1.62 fl. oz. size, Kraft Foods Global, Inc., available on May 2011.

* cited by examiner

FIG. 1

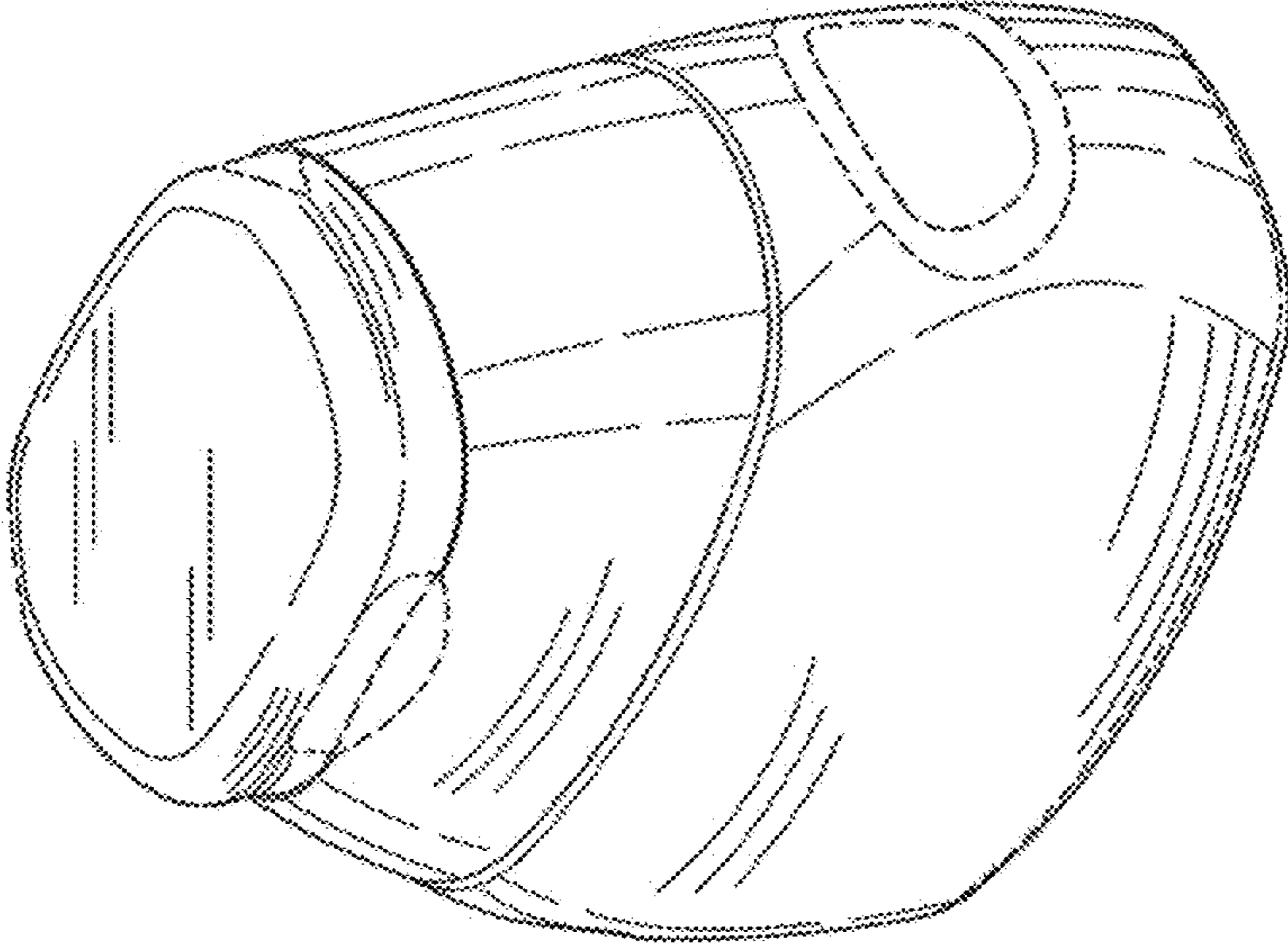


FIG. 2

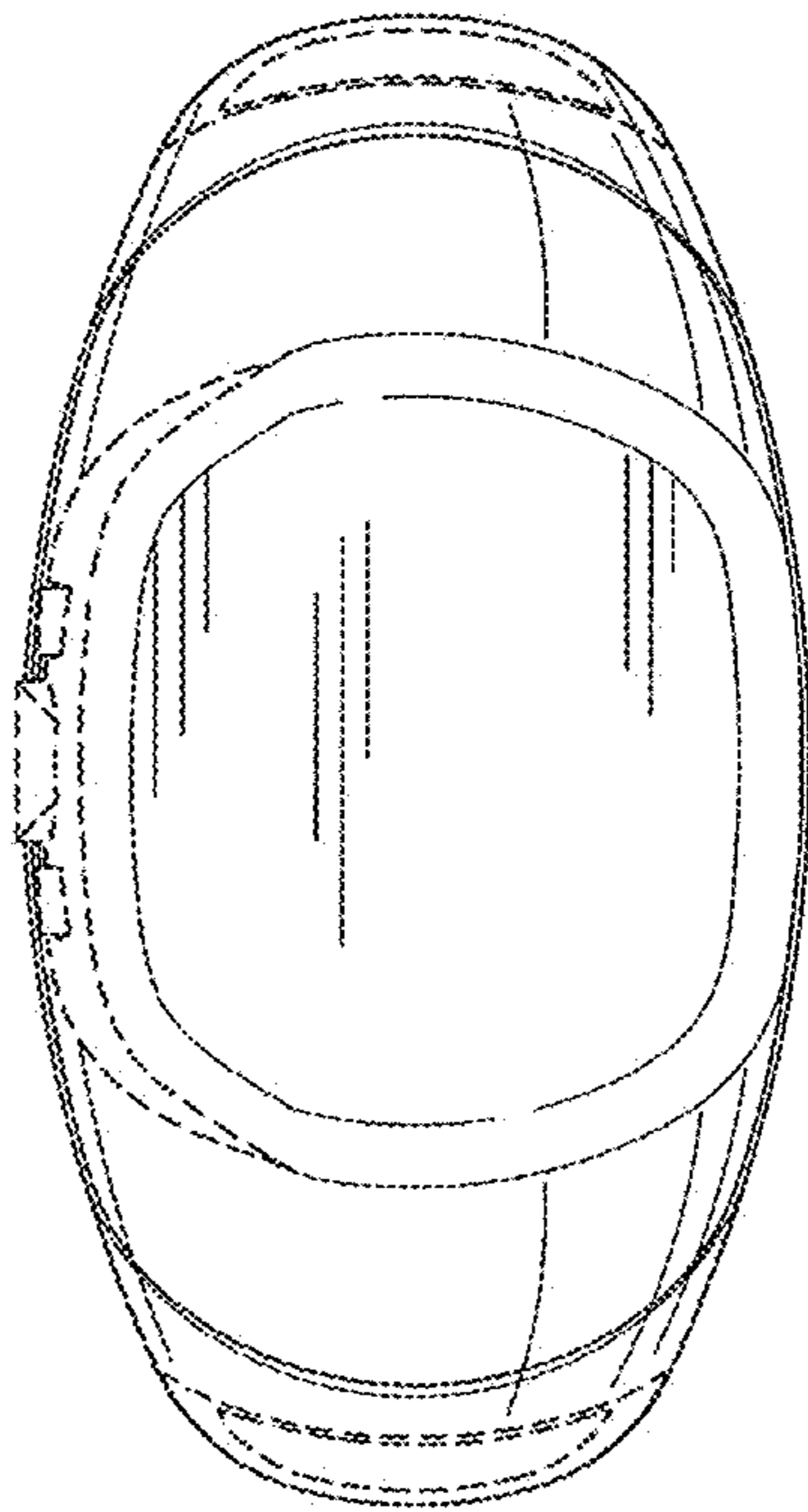


FIG. 3

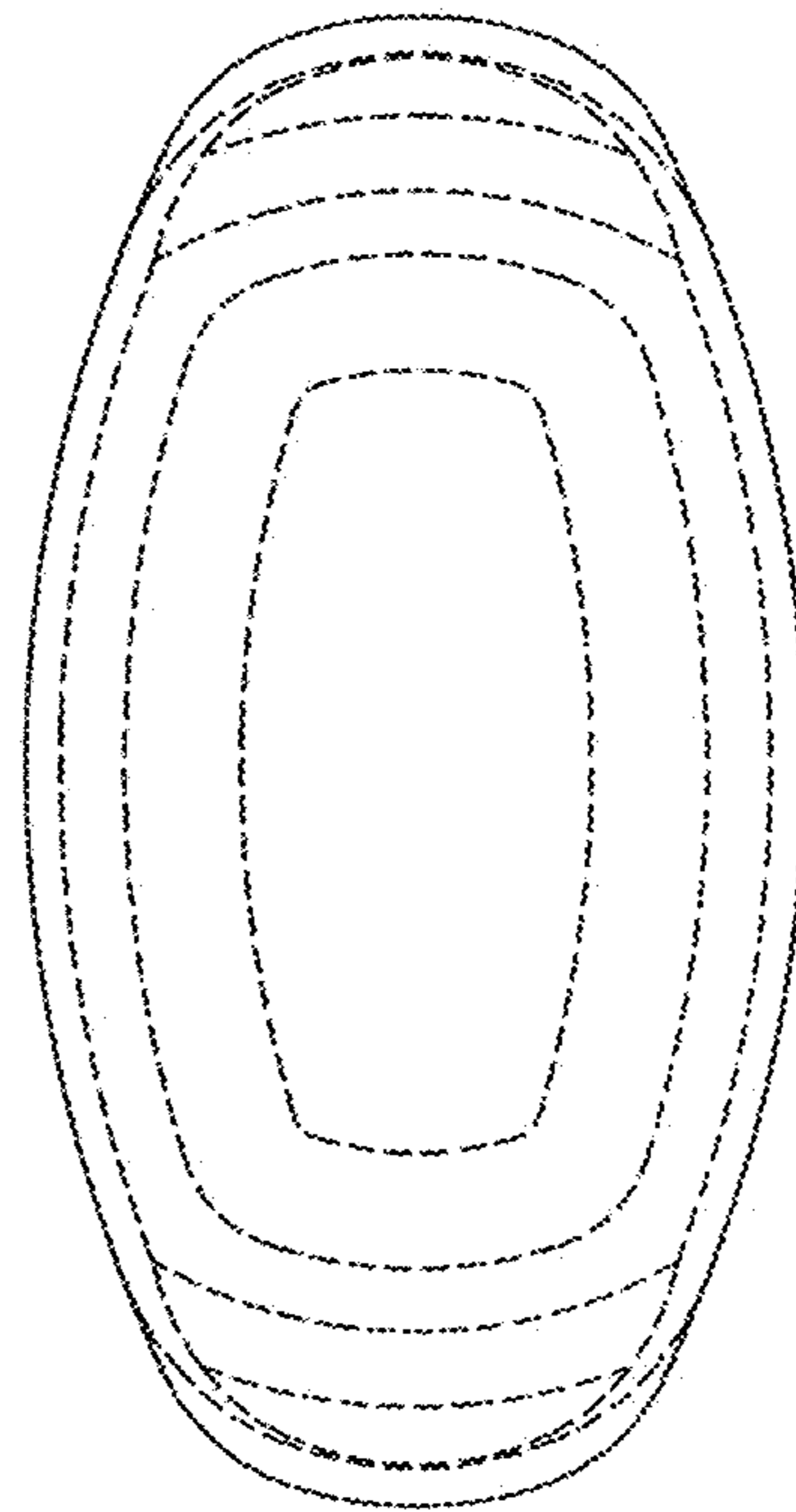


FIG. 5

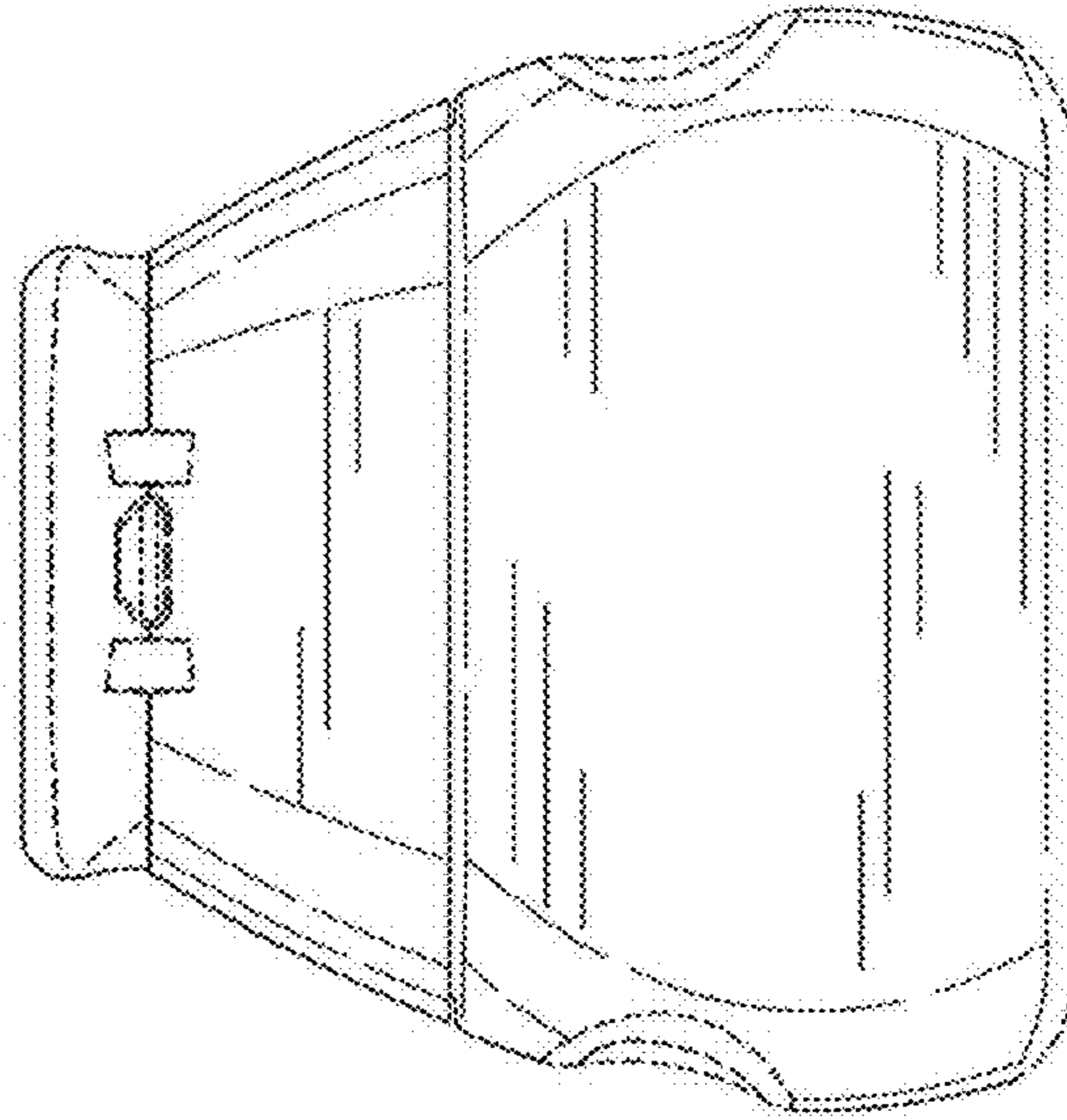


FIG. 4

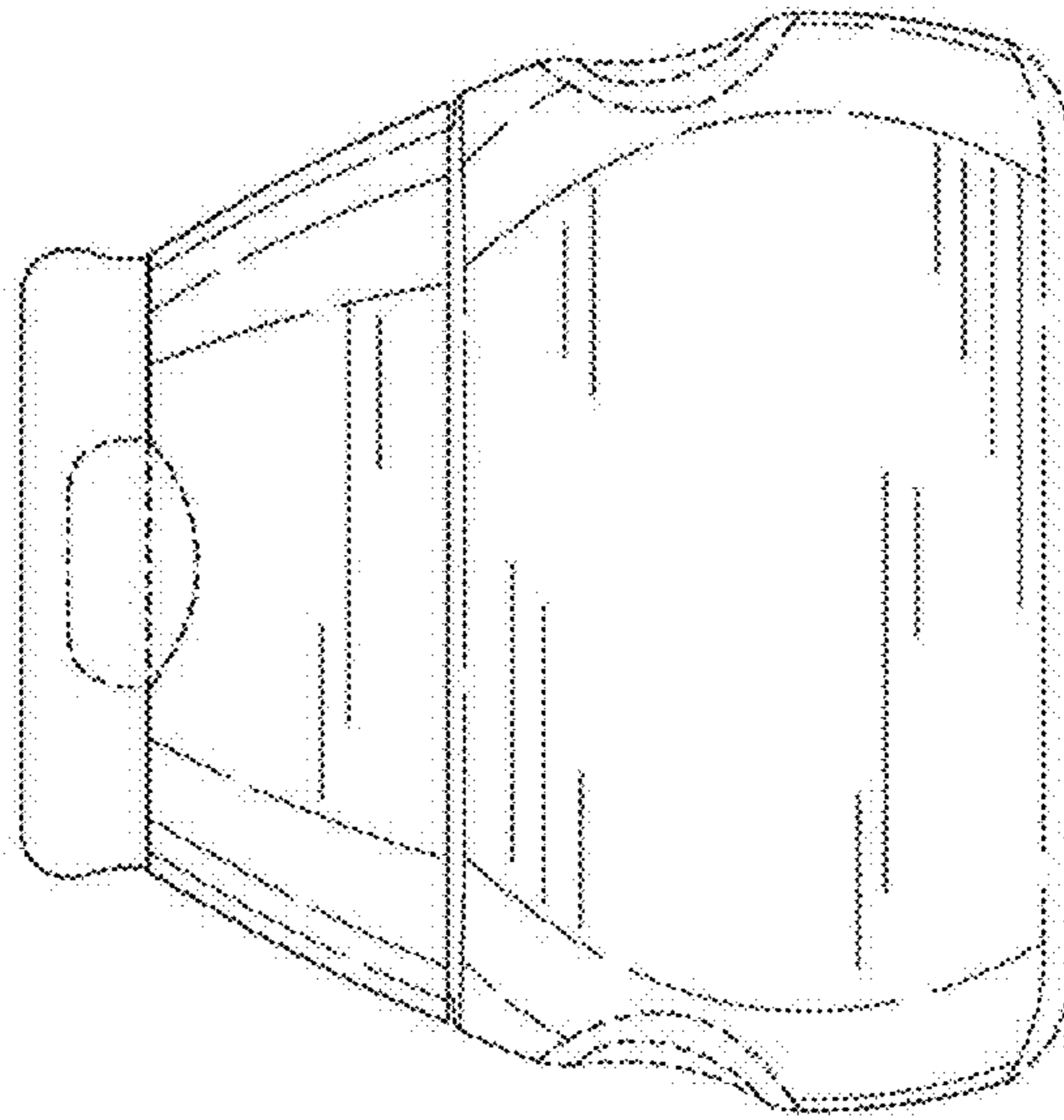


FIG. 7

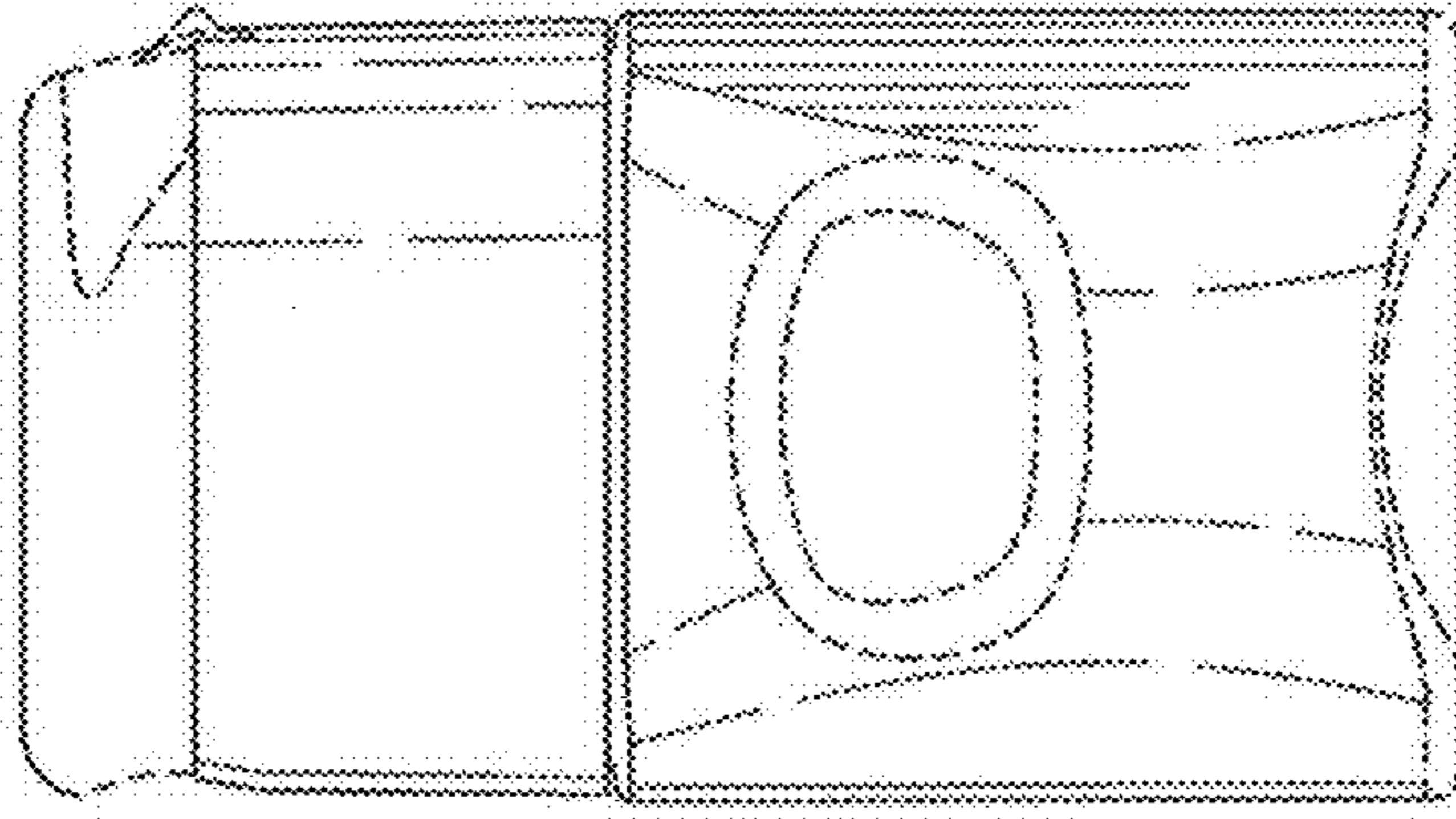


FIG. 6

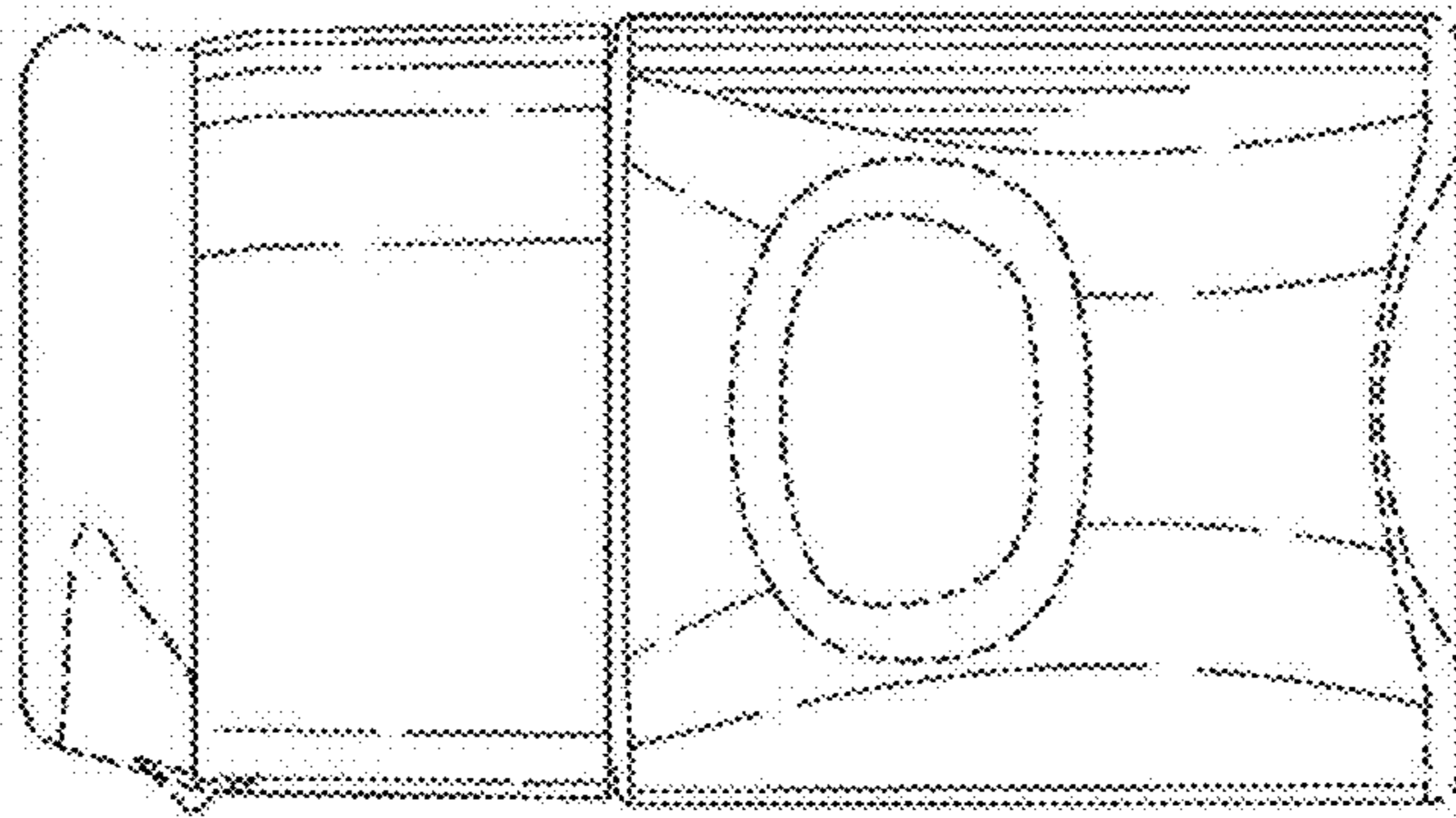


FIG. 8

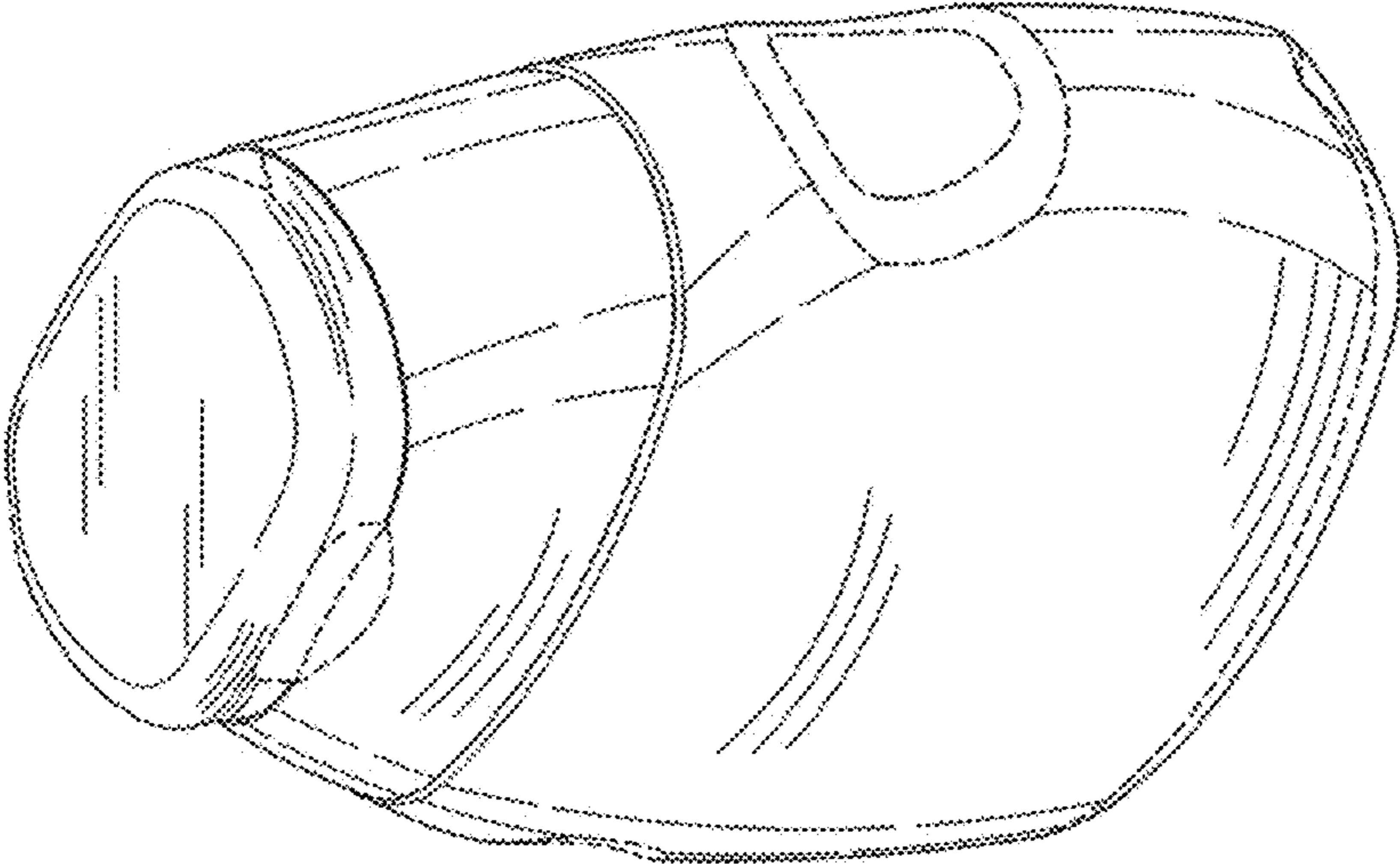


FIG. 9

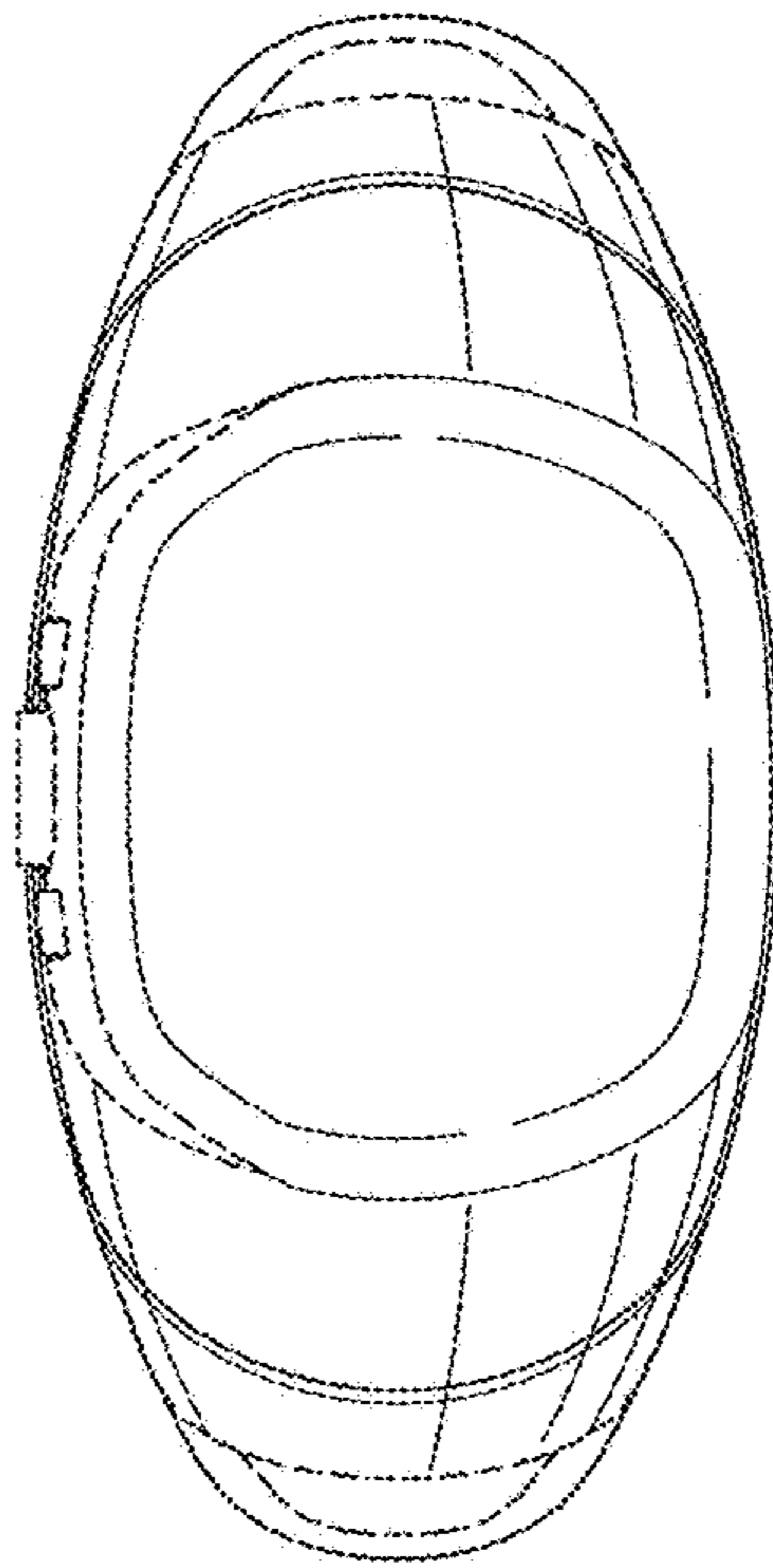


FIG. 10

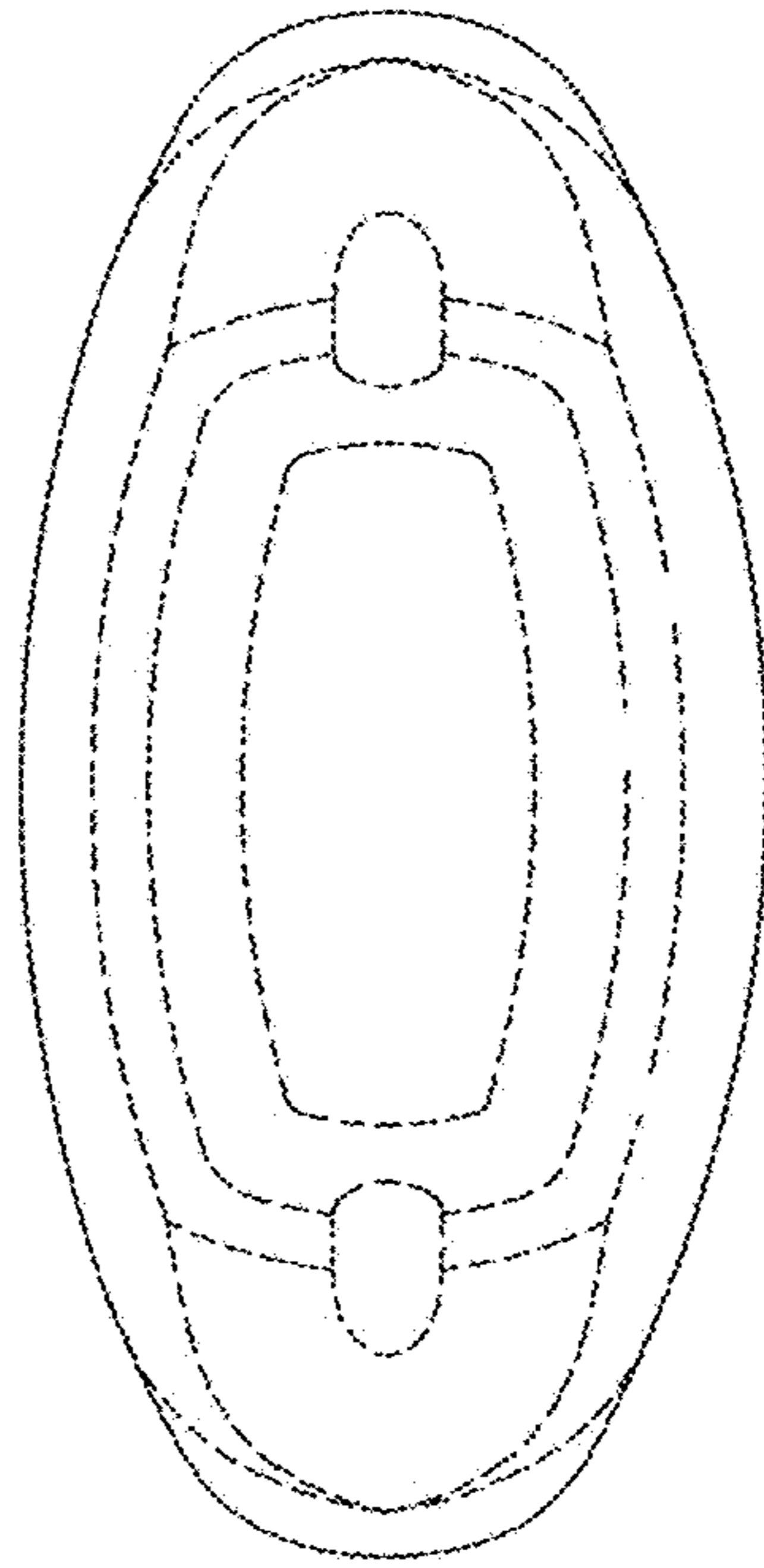


FIG. 12

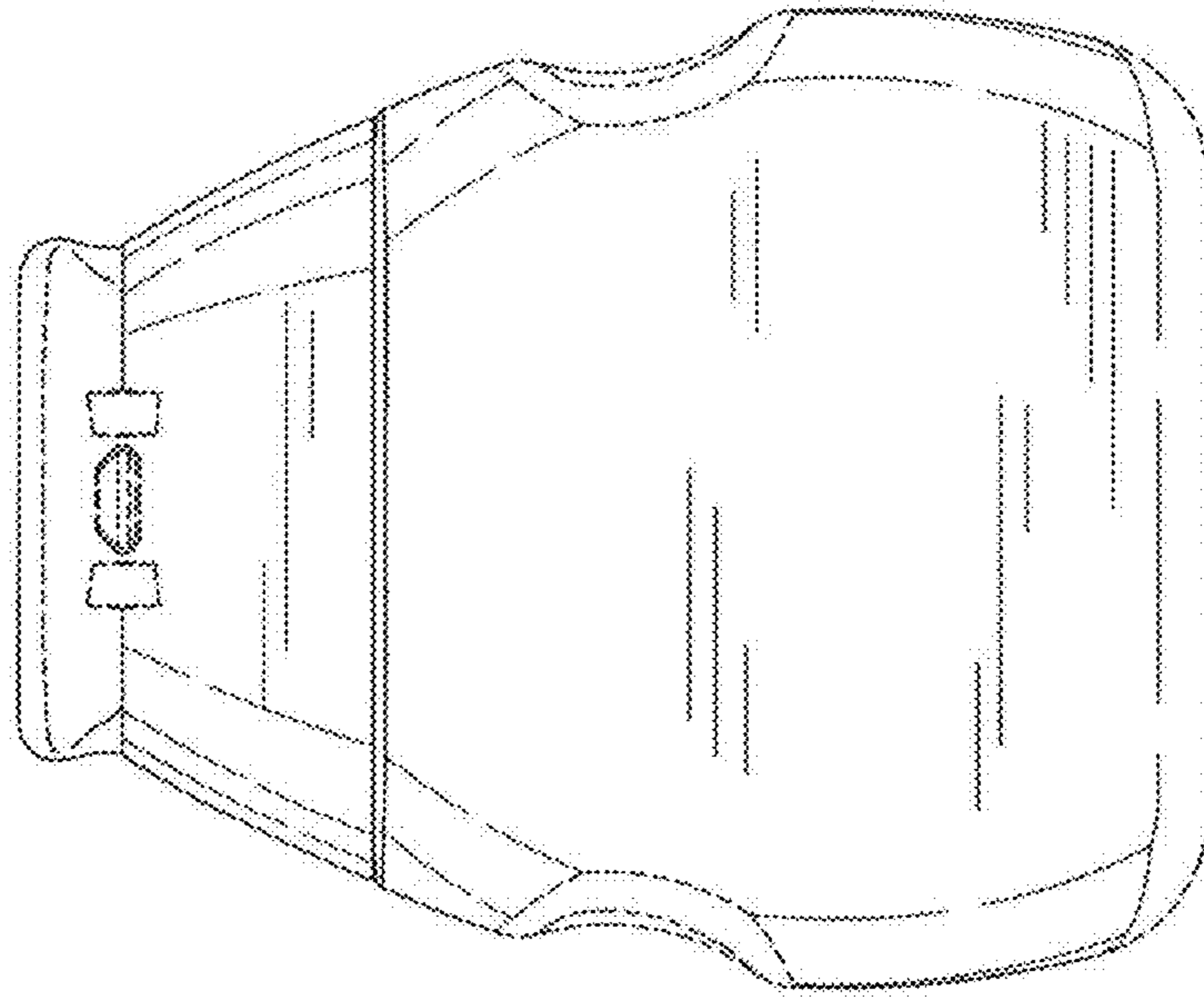


FIG. 11

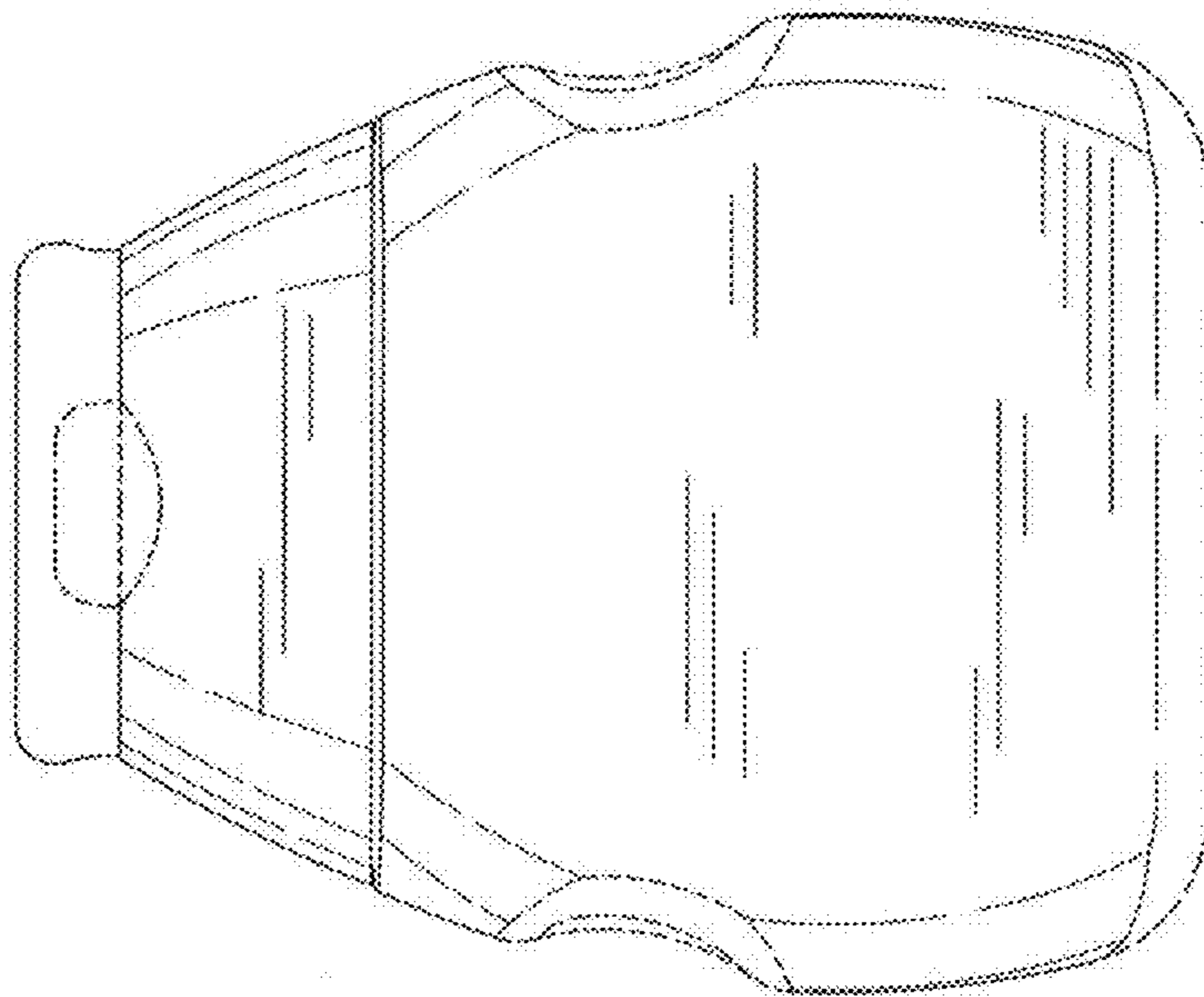


FIG. 14

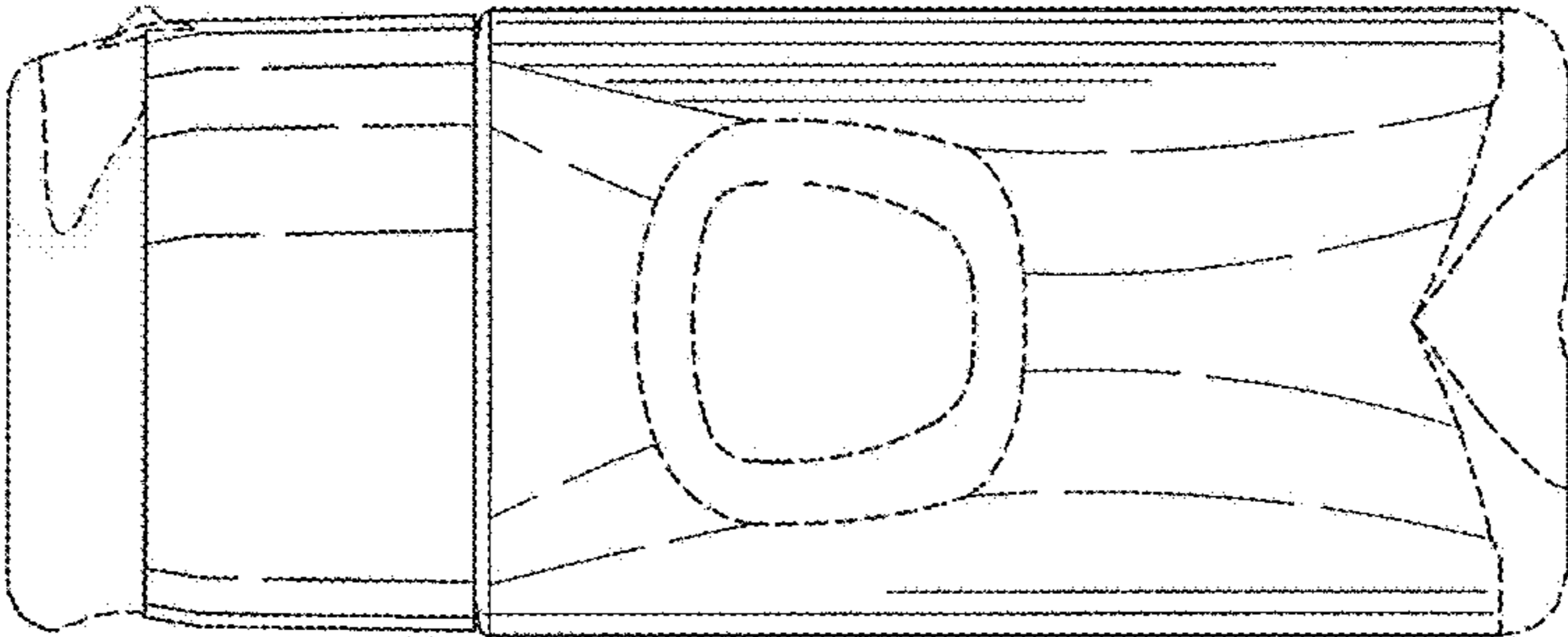


FIG. 13

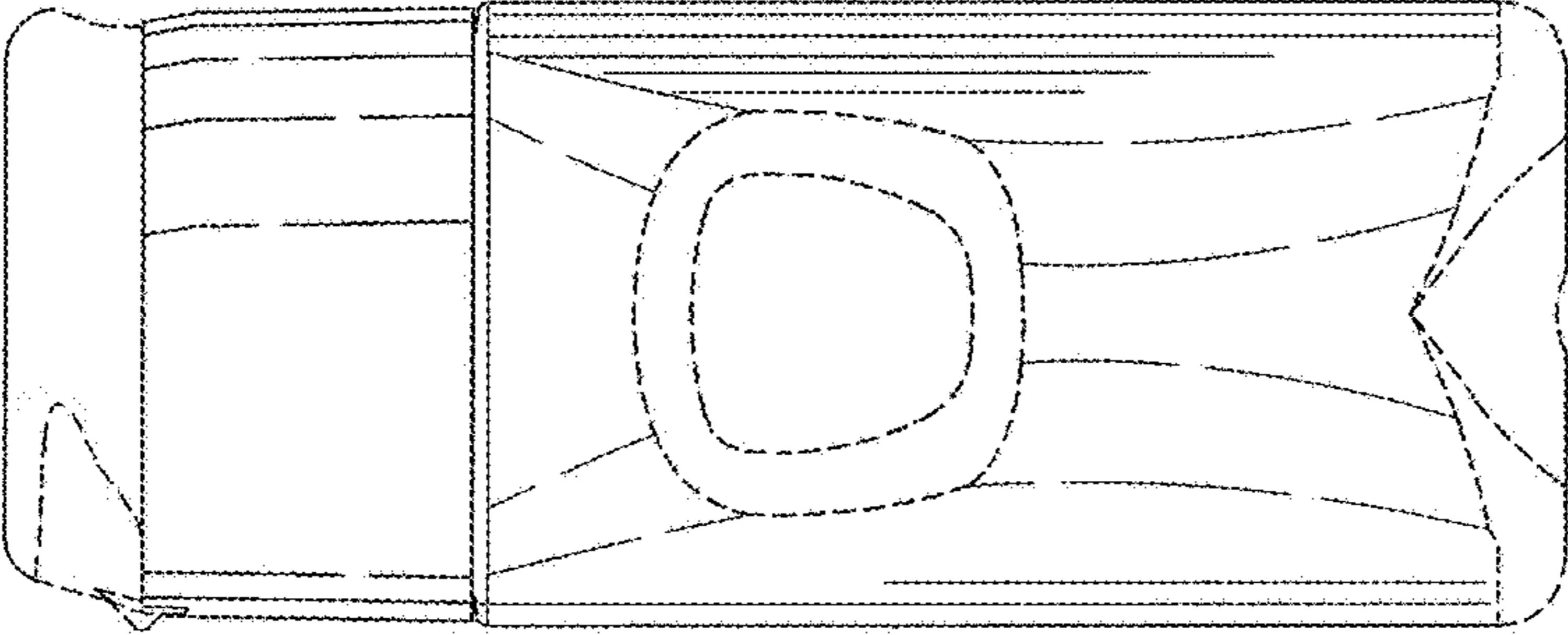


FIG. 15

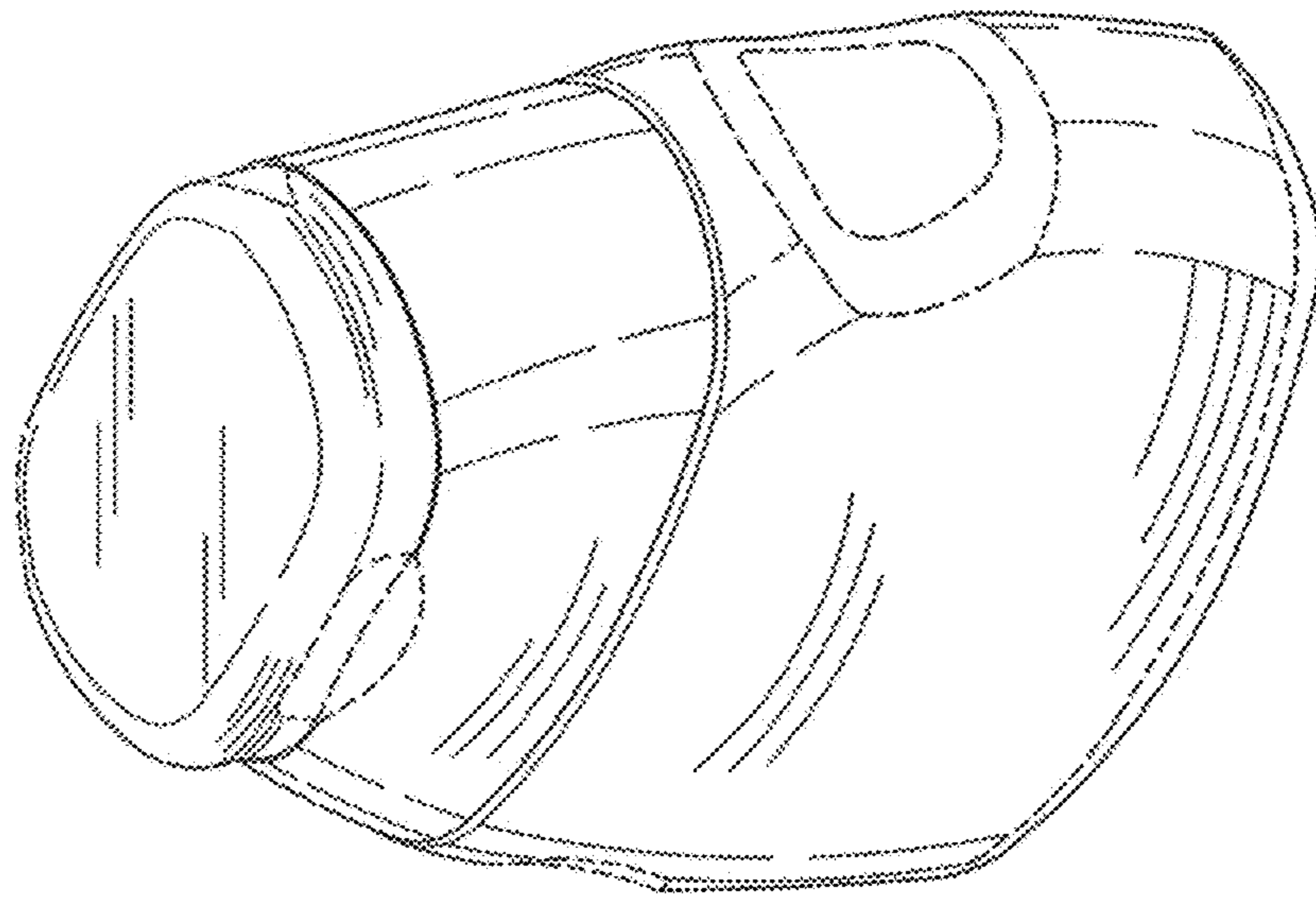


FIG. 16

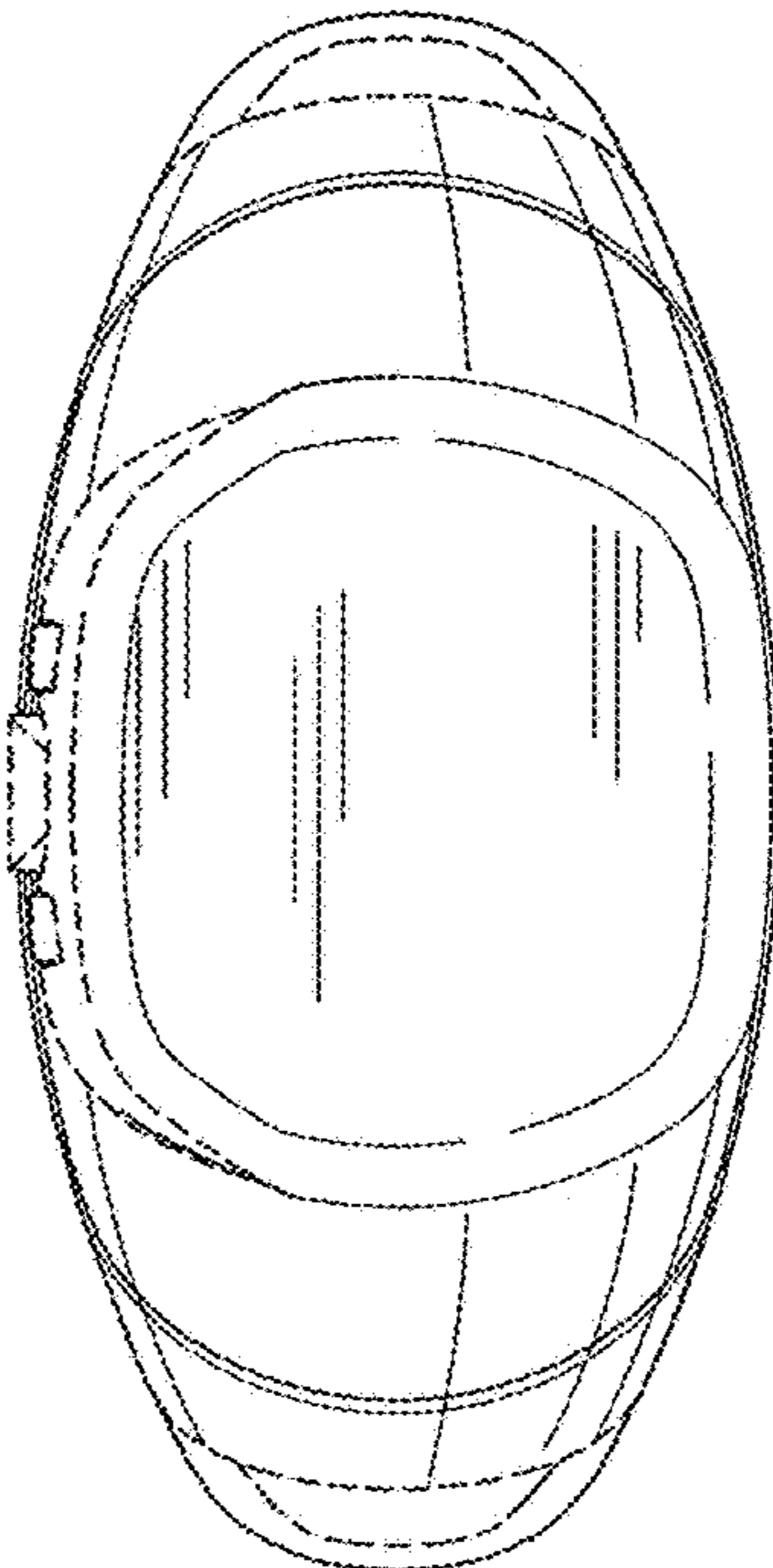


FIG. 17

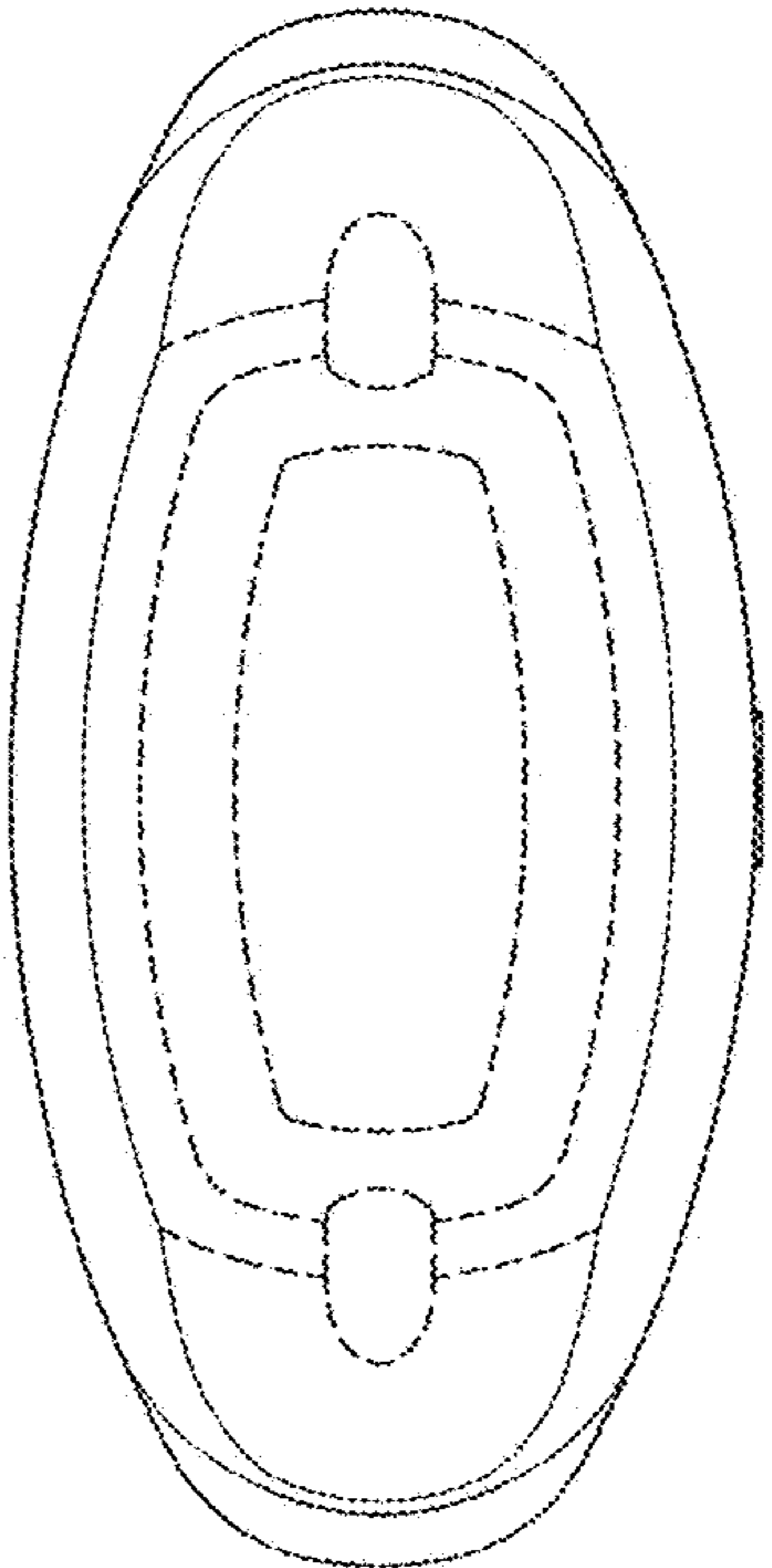


FIG. 19

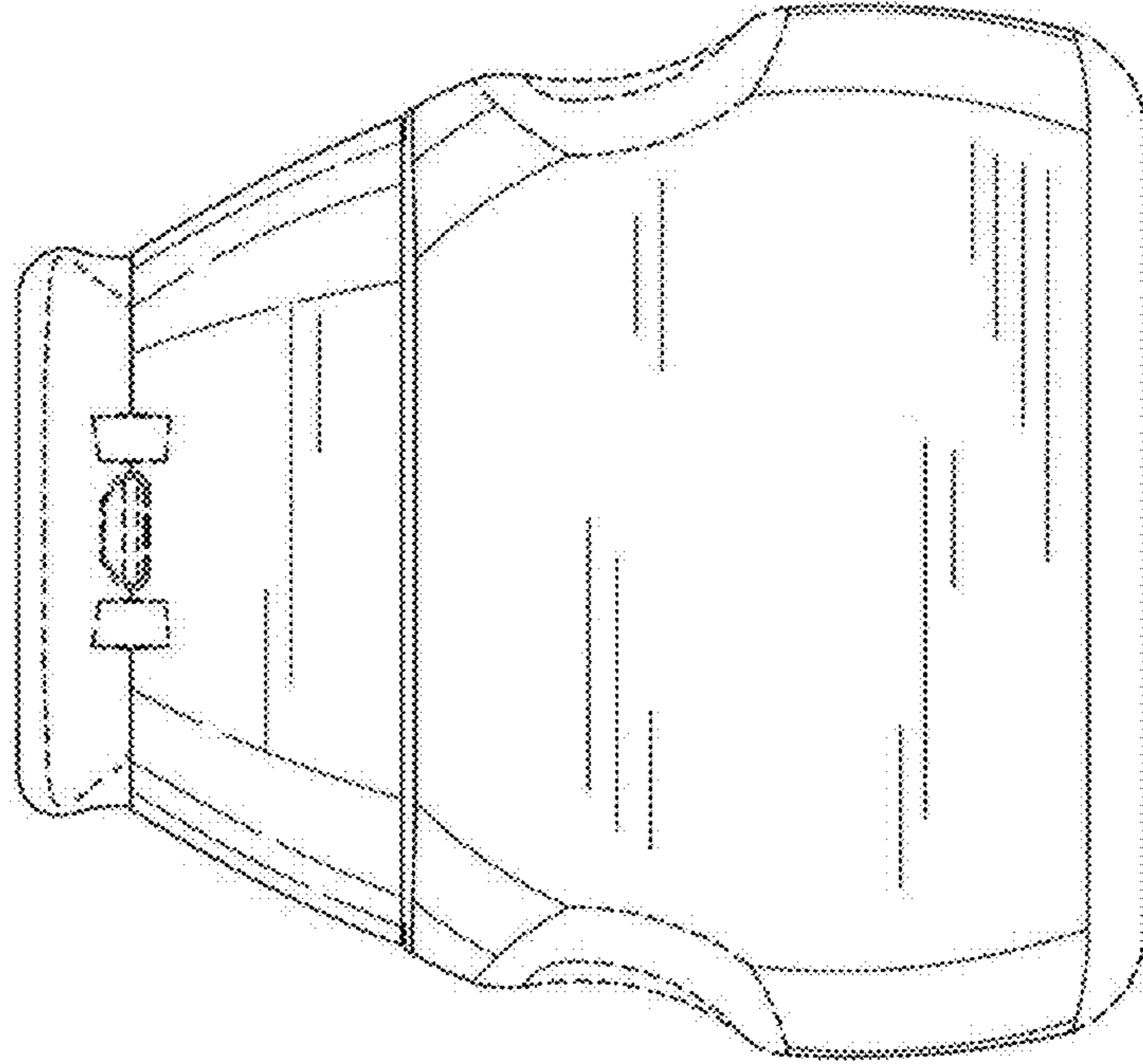


FIG. 18

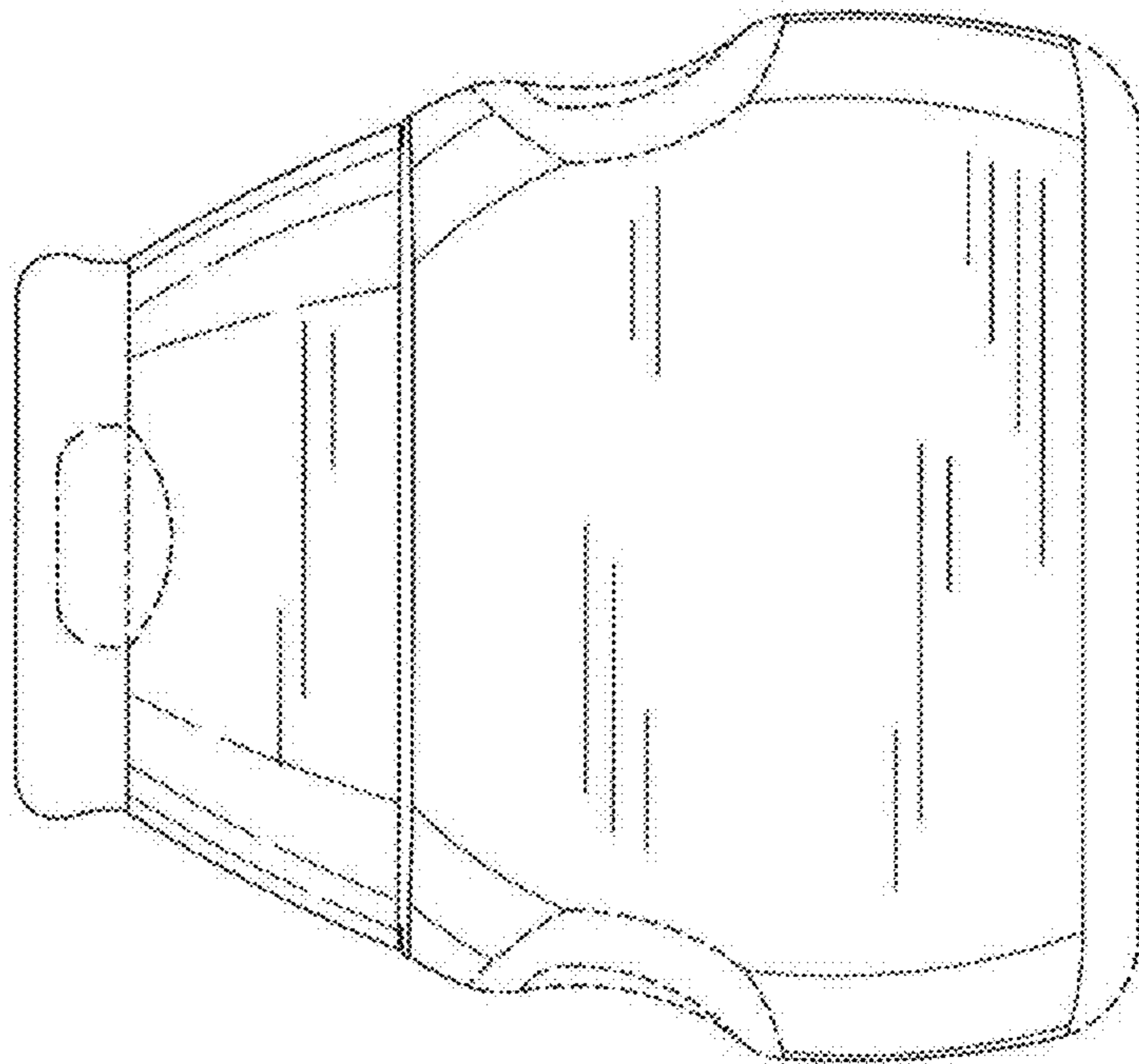


FIG. 21

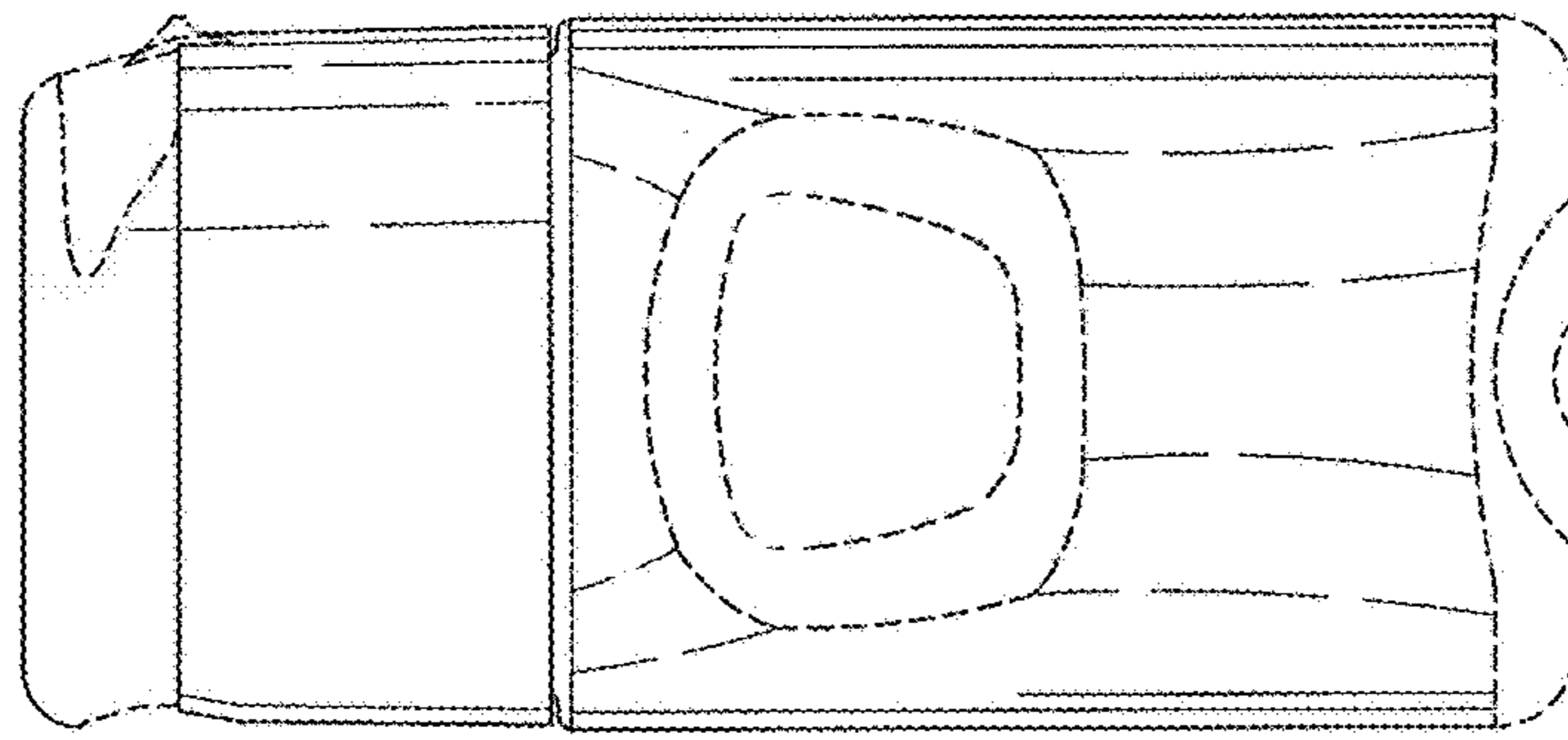


FIG. 20

