



US00D817172S

(12) **United States Design Patent**
Jones et al.

(10) **Patent No.:** **US D817,172 S**
(45) **Date of Patent:** **** May 8, 2018**

(54) **PACKAGING TRAY**

FOREIGN PATENT DOCUMENTS

- (71) Applicant: **R.J. Reynolds Tobacco Company**,
Winston-Salem, NC (US)
- (72) Inventors: **Wesley Steven Jones**, Lexington, NC
(US); **Laya Katina Horton**,
Winston-Salem, NC (US); **Jerry Wayne
Pipes**, Clemmons, NC (US); **Steven A.
Hasselbach, Jr.**, Winterville, NC (US)
- (73) Assignee: **R.J. Reynolds Tobacco Company**,
Winston-Salem, NC (US)

CH 180218 A 10/1935
GB 686 870 2/1953
(Continued)

Primary Examiner — Cathron Brooks
Assistant Examiner — Teddy Falloway
(74) *Attorney, Agent, or Firm* — Womble Bond Dickinson
(US) LLP

(**) Term: **15 Years**

(21) Appl. No.: **29/573,679**

(22) Filed: **Aug. 9, 2016**

(51) **LOC (11) Cl.** **09-07**

(52) **U.S. Cl.**
USPC **D9/456**

(58) **Field of Classification Search**
USPC D9/414, 425, 430, 432, 456, 737, 759,
D9/760; D7/553.1, 553.2, 554.3;
206/216, 486, 553, 557, 561, 562, 564,
206/565, 570; 220/500, 675
CPC A61B 50/33; B65D 81/025; B65D 1/36;
B65D 2581/055; B65D 81/113; B65D
81/133; B65D 1/0223; B65D 1/34; B65D
2543/00296; B65D 79/005; B65D 71/70;
B65D 5/5021; B65D 25/04; B65D 77/24;
B65D 5/5038; B65D 25/10; B65D
21/0233; B65D 1/40; B65D 2571/0066;
B65D 43/162; B65D 73/0042
See application file for complete search history.

(57) **CLAIM**

The ornamental design for a packaging tray, as shown and described.

DESCRIPTION

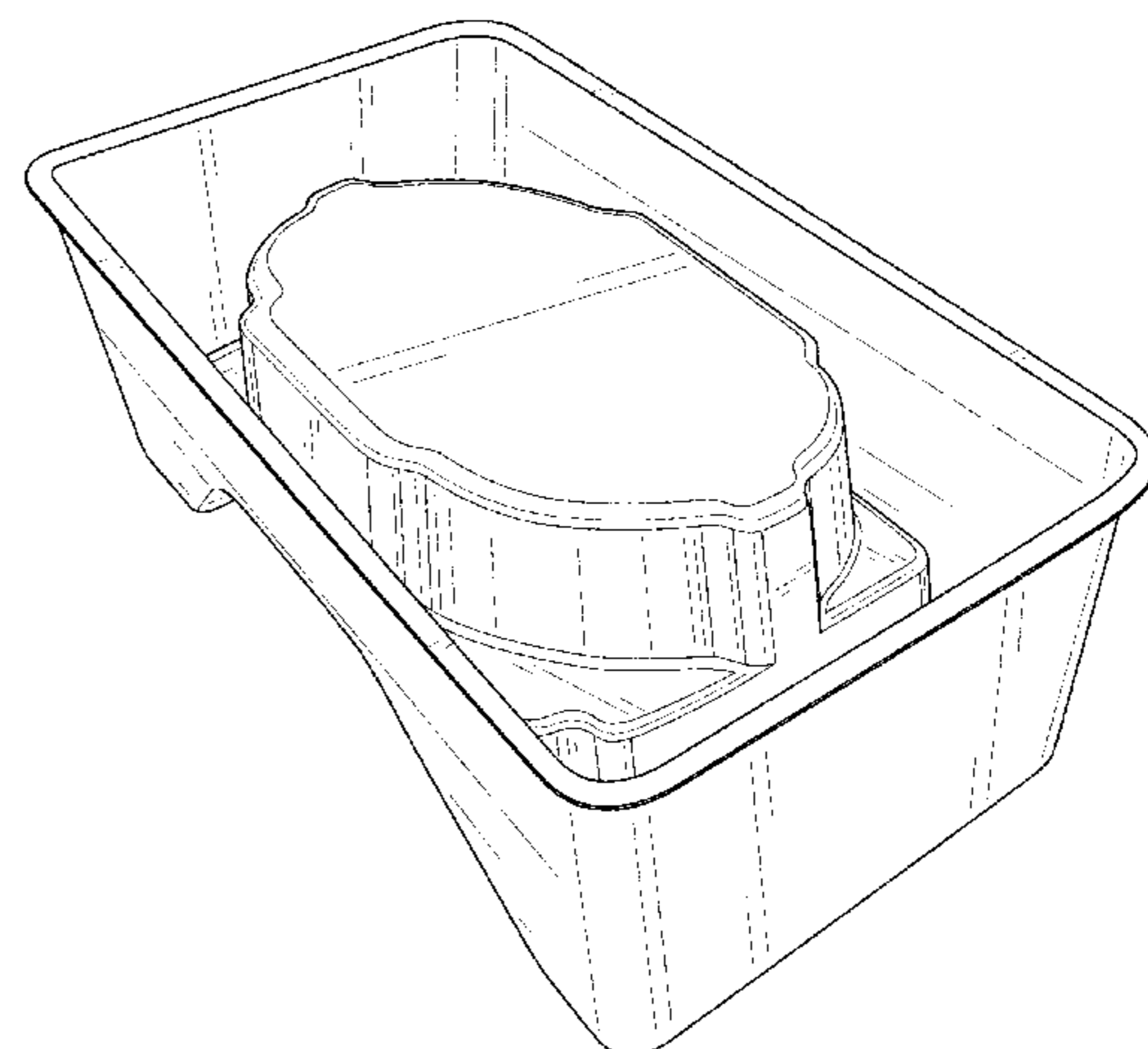
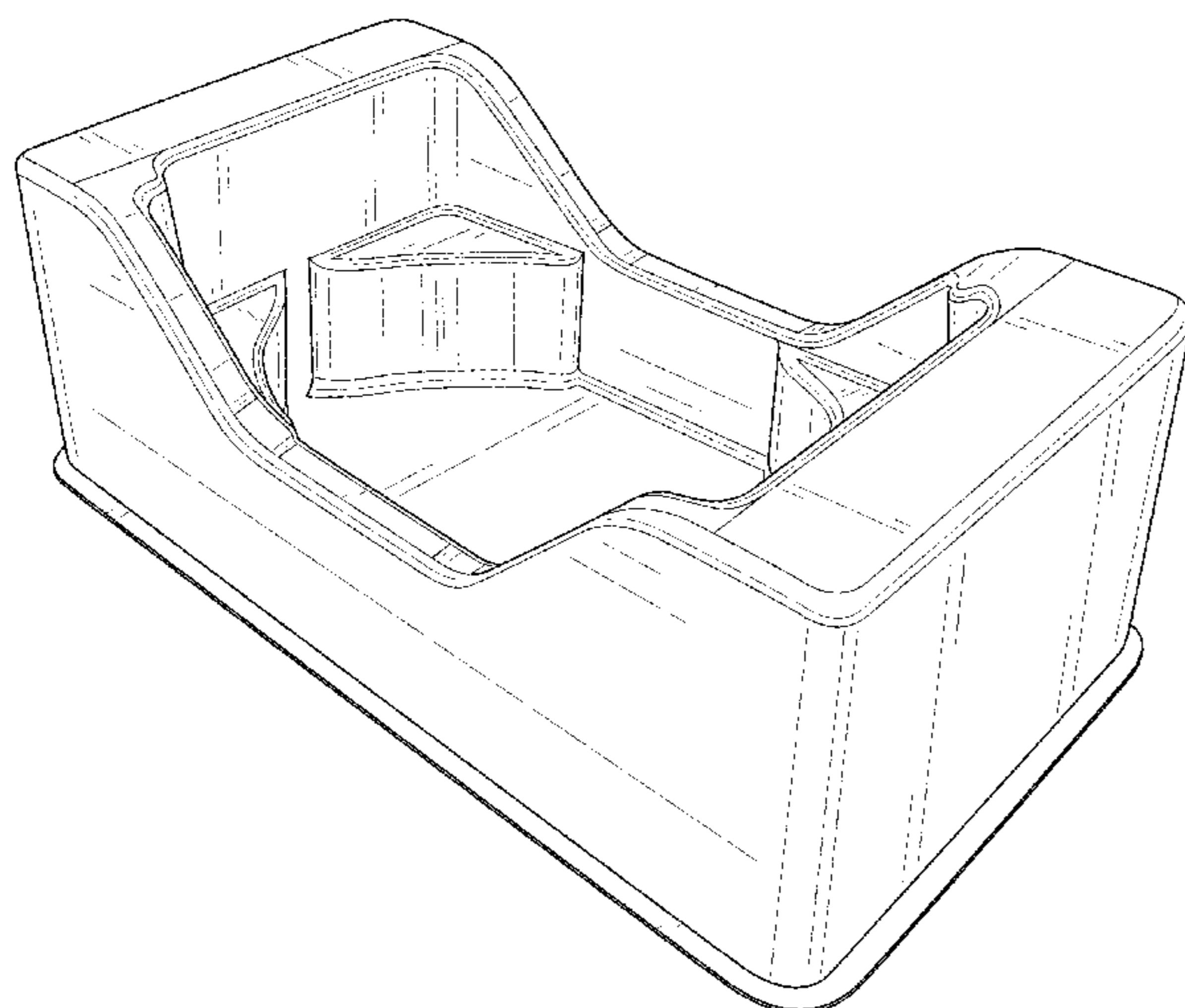
FIG. 1 is a top view of a packaging tray showing the new design;
FIG. 2 is a top perspective view of the packaging tray;
FIG. 3 is a top perspective view of the packaging tray rotated 90 degrees relative to FIG. 2;
FIG. 4 is a top perspective view of the packaging tray rotated 180 degrees relative to FIG. 2;
FIG. 5 is a top perspective view of the packaging tray rotated 270 degrees relative to FIG. 2;
FIG. 6 is an elevational view of a side of the packaging tray, the opposing side being identical thereto;
FIG. 7 is an elevational view of an end of the packaging tray, the opposing end being identical thereto;
FIG. 8 is a bottom view of the packaging tray;
FIG. 9 is a bottom perspective view of the packaging tray;
FIG. 10 is a bottom perspective view of the packaging tray rotated 90 degrees relative to FIG. 9;
FIG. 11 is a bottom perspective view of the packaging tray rotated 180 degrees relative to FIG. 9; and,
FIG. 12 is a bottom perspective view of the packaging tray rotated 270 degrees relative to FIG. 9.

(56) **References Cited**

U.S. PATENT DOCUMENTS

194,197 A 8/1877 Villaret
2,090,530 A 8/1937 Guffy et al.
(Continued)

1 Claim, 12 Drawing Sheets



(56)

References Cited

U.S. PATENT DOCUMENTS

D134,249 S 9/1942 Button
 3,696,917 A 10/1972 Levi
 3,782,584 A 1/1974 Swenson et al.
 3,895,737 A 7/1975 Phillips
 D240,199 S 6/1976 Perfect
 4,007,828 A 2/1977 Mayled
 4,057,145 A 11/1977 Wray et al.
 4,154,365 A 5/1979 Lorca
 4,284,204 A 8/1981 Cary, Jr.
 4,437,579 A 3/1984 Obland
 4,561,544 A 12/1985 Reeve
 4,572,376 A 2/1986 Wrennall
 4,611,727 A 9/1986 Graff
 D289,856 S 5/1987 Easterling
 4,705,165 A 11/1987 Thieke
 D307,555 S 5/1990 Haenni et al.
 5,108,006 A 4/1992 Tieke et al.
 D331,538 S * 12/1992 Fabre D9/455
 5,174,471 A 12/1992 Kozlowski et al.
 5,275,291 A 1/1994 Sledge
 5,441,152 A 8/1995 Estes
 5,449,071 A 9/1995 Levy
 D369,469 S 5/1996 Gregory
 D371,220 S * 6/1996 Behrens D19/77
 D379,301 S 5/1997 Lippincott
 5,628,402 A * 5/1997 Dickie B65D 81/052
 206/521
 5,657,901 A 8/1997 Farside
 5,729,955 A 3/1998 Yamada
 D393,591 S 4/1998 Baryshyan
 5,782,359 A 7/1998 McAllister et al.
 5,816,441 A 10/1998 Farside
 5,897,025 A 4/1999 Flewitt et al.
 5,909,822 A 6/1999 George et al.
 5,915,560 A 6/1999 George et al.
 6,105,765 A * 8/2000 Chu B65D 81/025
 206/320
 6,131,765 A 10/2000 Barry et al.
 6,155,454 A 12/2000 George et al.
 D444,058 S 6/2001 Hampshire et al.
 6,247,598 B1 * 6/2001 Hosaka B41J 2/17503
 206/576
 6,267,265 B1 7/2001 Issa
 D456,247 S 4/2002 Castellanos
 D461,737 S * 8/2002 Fong Pui Ching D10/129
 6,460,693 B1 10/2002 Harrold
 6,527,138 B2 3/2003 Pawlo et al.
 6,758,338 B2 7/2004 Lien
 D495,545 S 9/2004 Niehues
 6,863,175 B2 3/2005 Gelardi
 6,913,149 B2 7/2005 Gelardi et al.
 6,976,576 B2 12/2005 Intini
 D515,423 S * 2/2006 Chu D9/456
 D531,054 S 10/2006 Sagel
 D531,499 S 11/2006 Zaidman
 7,159,720 B2 1/2007 Pearson
 7,216,776 B2 5/2007 Gelardi
 7,288,745 B2 10/2007 Colonna
 D555,472 S * 11/2007 Gedanke D9/418
 7,353,969 B2 4/2008 McHutchinson
 D572,588 S 7/2008 Osborn et al.
 D575,585 S 8/2008 Geens
 D582,726 S * 12/2008 Olsson D7/554.2
 D589,798 S 4/2009 Liipola
 D596,030 S 7/2009 Liipola
 7,565,969 B2 7/2009 He
 7,588,149 B2 9/2009 Gelardi
 D606,885 S 12/2009 Olsson
 D608,593 S 1/2010 Follansbee et al.
 D615,396 S * 5/2010 Changpan D9/425

7,712,630 B2 5/2010 He
 D630,096 S * 1/2011 Doster D9/456
 D631,353 S 1/2011 Gelardi et al.
 D631,354 S 1/2011 Gelardi et al.
 D631,747 S 2/2011 Gelardi et al.
 D638,297 S 5/2011 Gelardi et al.
 D639,162 S 6/2011 Gelardi et al.
 D639,163 S 6/2011 Gelardi et al.
 D661,188 S 6/2012 Fahy
 D661,189 S 6/2012 Fahy
 D661,190 S 6/2012 Fahy
 D677,163 S 3/2013 Jones
 D678,067 S 3/2013 Jones
 D687,300 S 8/2013 Jones
 8,511,473 B1 * 8/2013 Bontrager B65D 81/025
 206/587
 D689,772 S 9/2013 Jones
 D723,920 S * 3/2015 Wakeham D9/456
 D740,650 S * 10/2015 Waldron D9/414
 D748,498 S * 2/2016 Pipes D9/424
 D760,588 S * 7/2016 Cheng D9/414
 D761,107 S * 7/2016 Waldron D9/456
 D782,330 S * 3/2017 Kim D9/456
 D782,331 S * 3/2017 Kim D9/456
 D782,332 S * 3/2017 Kim D9/456
 2002/0096517 A1 7/2002 Gelardi
 2002/0175195 A1 11/2002 Cole
 2004/0217024 A1 11/2004 Arnarp et al.
 2005/0173272 A1 8/2005 Lemmons, IV
 2006/0060480 A1 3/2006 Budd
 2006/0108255 A1 * 5/2006 Chu B29C 45/0053
 206/521
 2006/0118589 A1 6/2006 Arnarp et al.
 2006/0124658 A1 6/2006 Coe et al.
 2006/0243611 A1 11/2006 Wu
 2007/0068960 A1 3/2007 Valentine et al.
 2007/0163911 A1 7/2007 Gelardi
 2007/0277299 A1 12/2007 Kroon
 2008/0029110 A1 2/2008 Dube et al.
 2008/0029116 A1 2/2008 Robinson et al.
 2008/0035643 A1 2/2008 Hoffman
 2009/0223989 A1 9/2009 Gelardi
 2009/0266837 A1 10/2009 Gelardi et al.
 2010/0018882 A1 1/2010 St. Charles
 2010/0018883 A1 1/2010 Patel
 2010/0084424 A1 4/2010 Gelardi
 2010/0133140 A1 6/2010 Bailey et al.
 2010/0264157 A1 10/2010 Bailey et al.
 2010/0307116 A1 12/2010 Fisher
 2012/0080351 A1 * 4/2012 Takahashi A61B 1/00144
 206/528
 2013/0240403 A1 * 9/2013 Shih B65D 81/133
 206/591
 2013/0277261 A1 * 10/2013 Kinyon A61F 2/0095
 206/438
 2014/0014537 A1 * 1/2014 Eshetu B65D 77/0453
 206/216
 2014/0034547 A1 * 2/2014 Bontrager B65D 81/022
 206/588

FOREIGN PATENT DOCUMENTS

GB 2 042 476 9/1980
 WO WO 1999/48391 A 9/1999
 WO WO 2004/035404 A1 4/2004
 WO WO 2005/016036 A1 2/2005
 WO WO 2005/030606 A1 4/2005
 WO WO 2005/035390 A1 4/2005
 WO WO 2007/017761 A2 2/2007
 WO WO 2007/067953 A2 6/2007
 WO WO 2007/070867 A2 6/2007
 WO WO 2008/070032 A2 6/2008

* cited by examiner

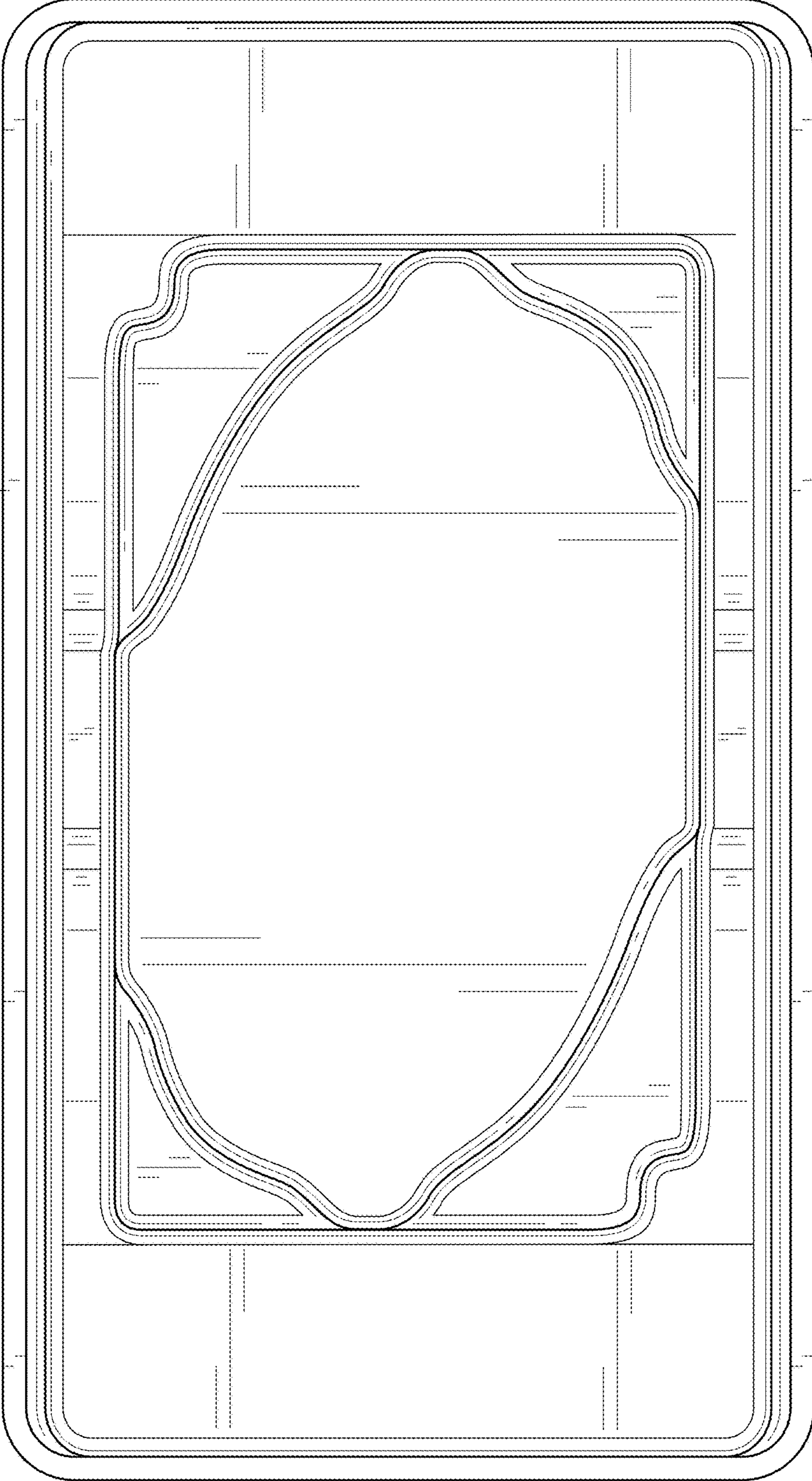


FIG. 1

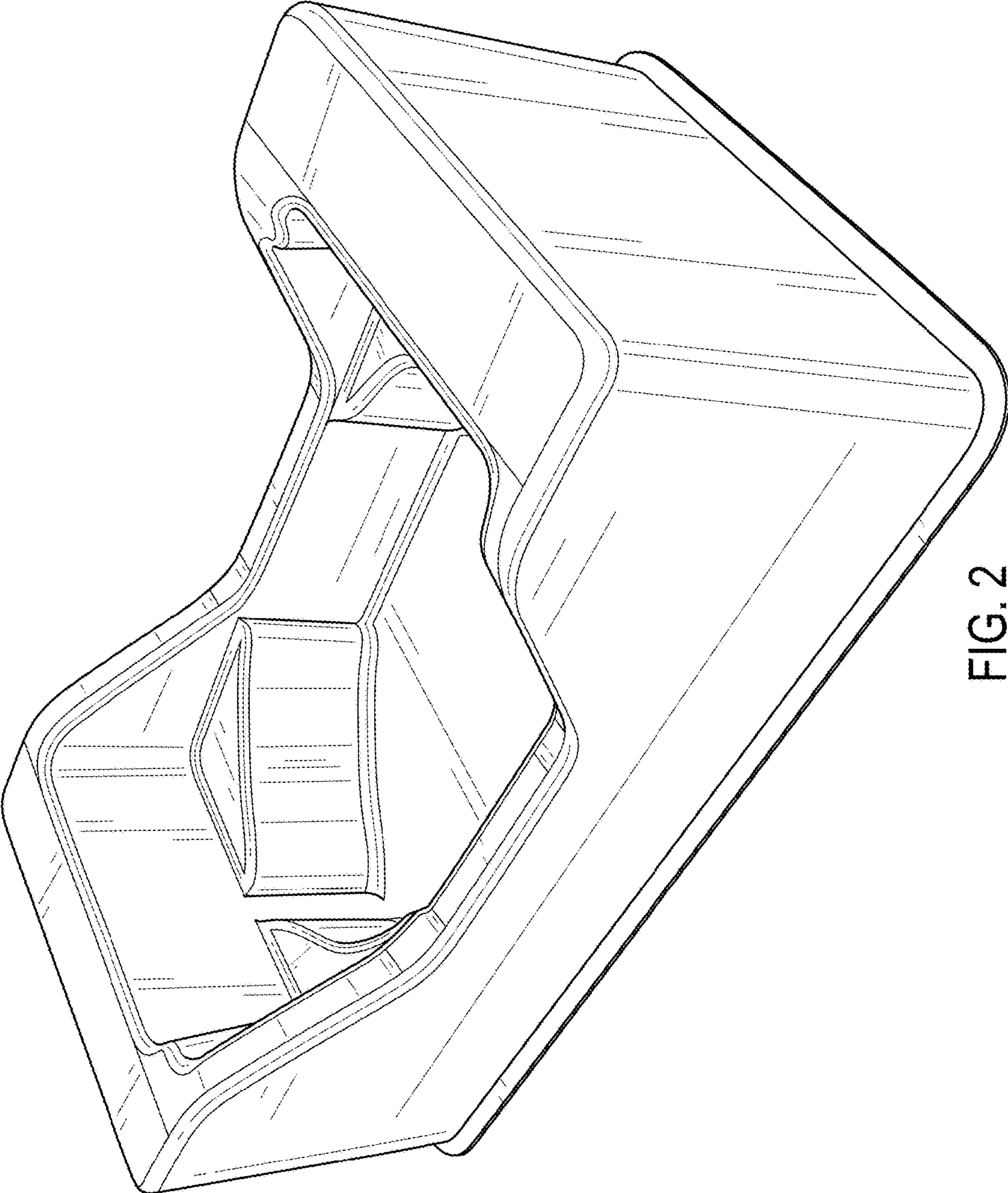


FIG. 2

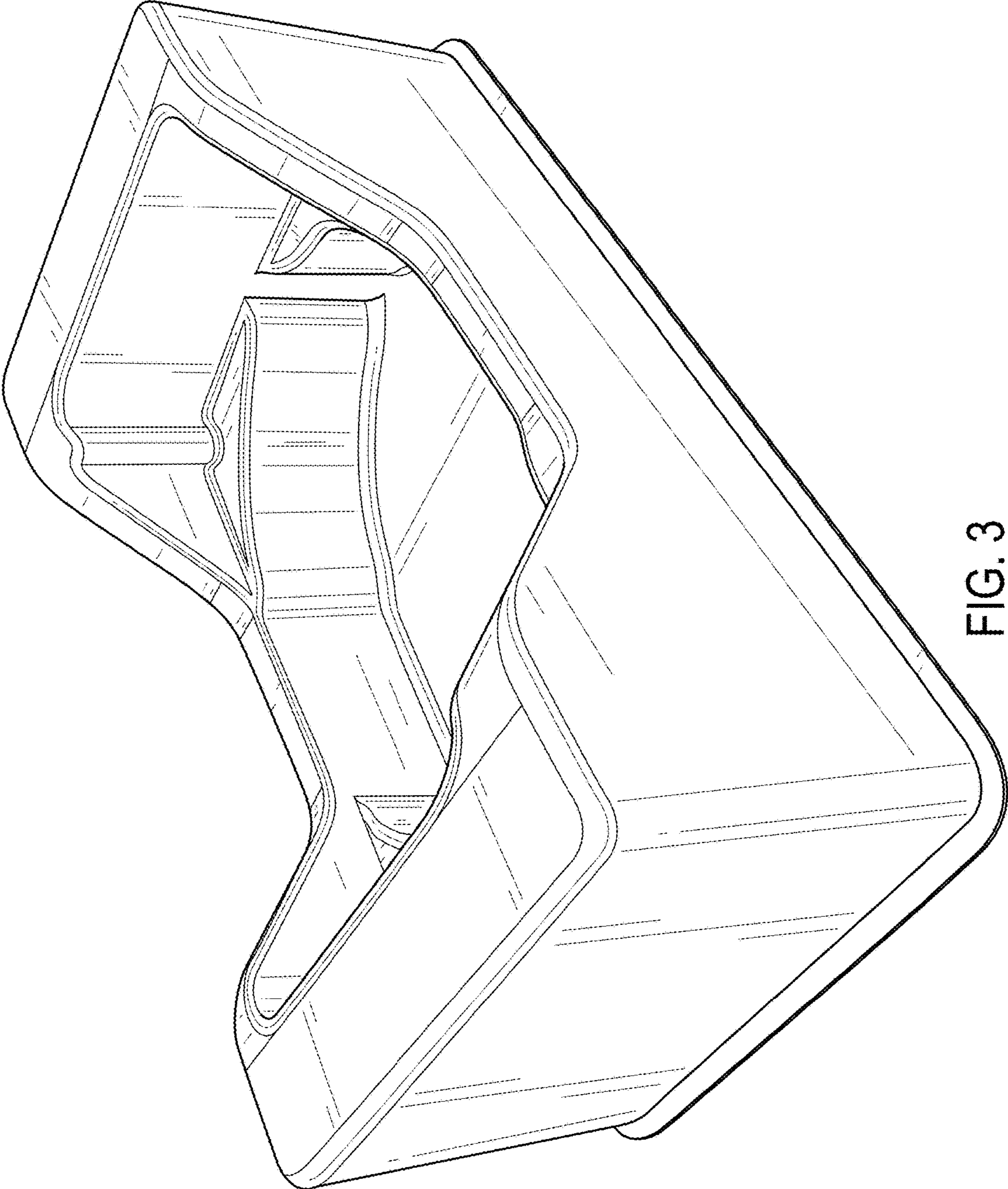


FIG. 3

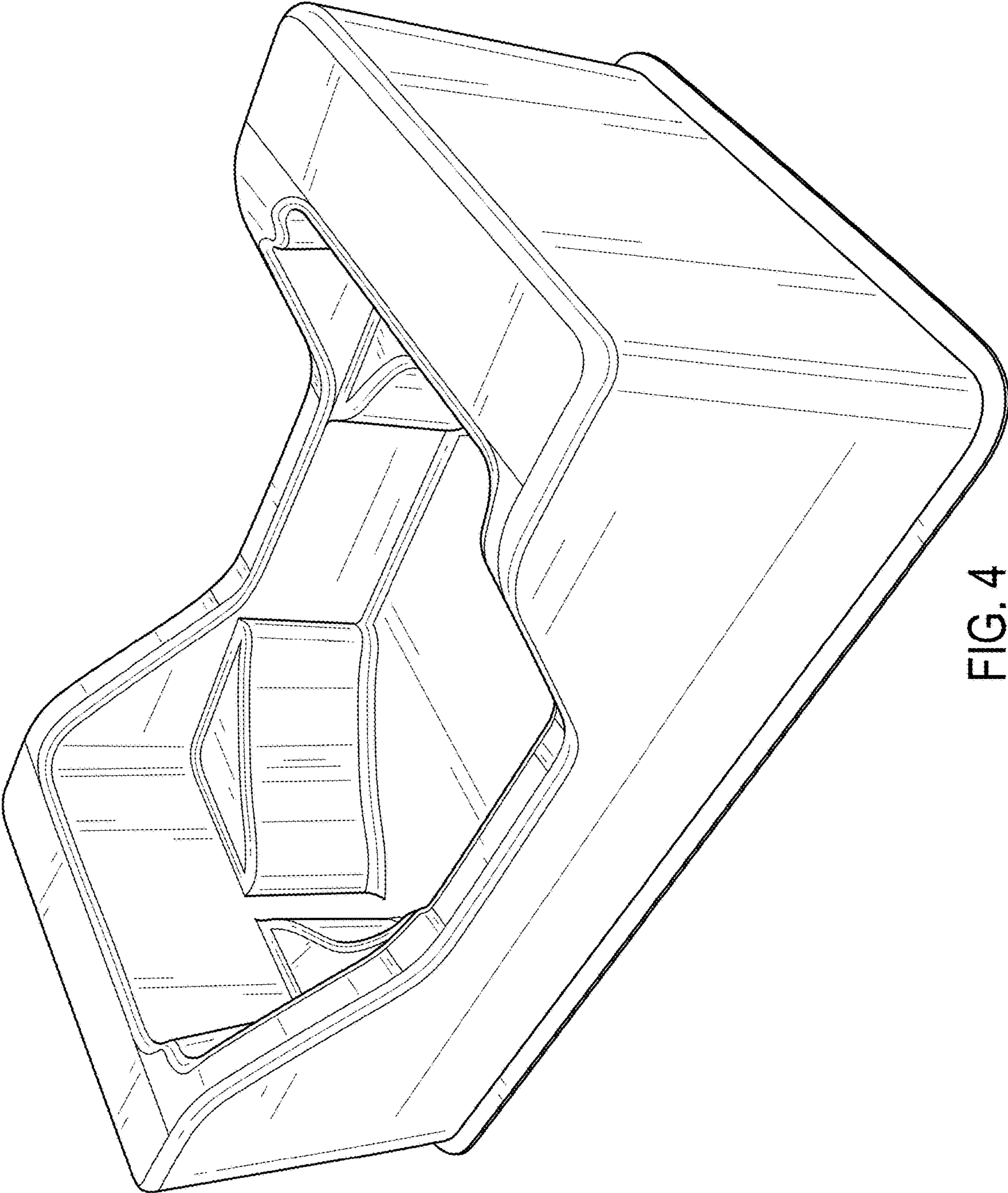


FIG. 4

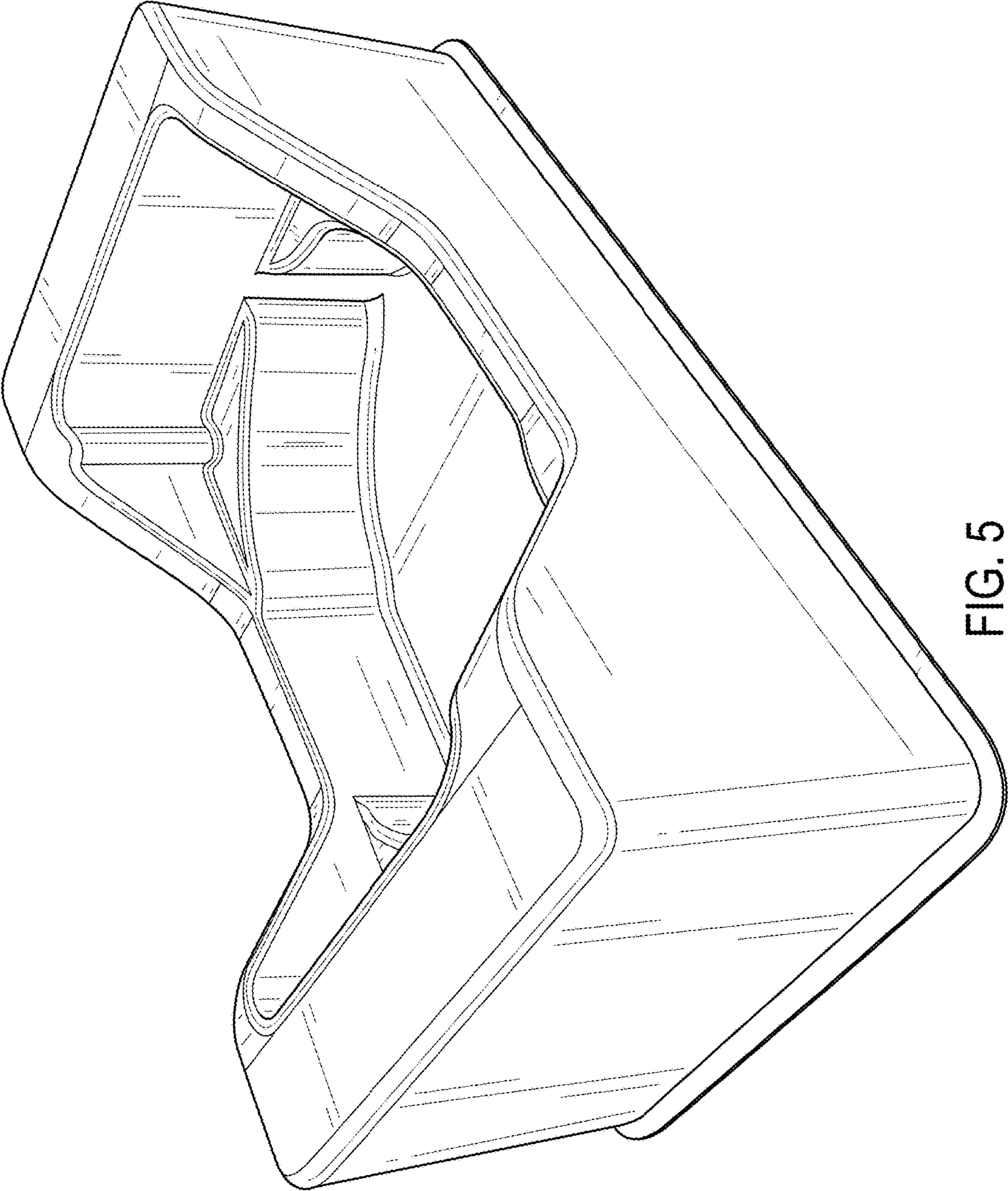


FIG. 5

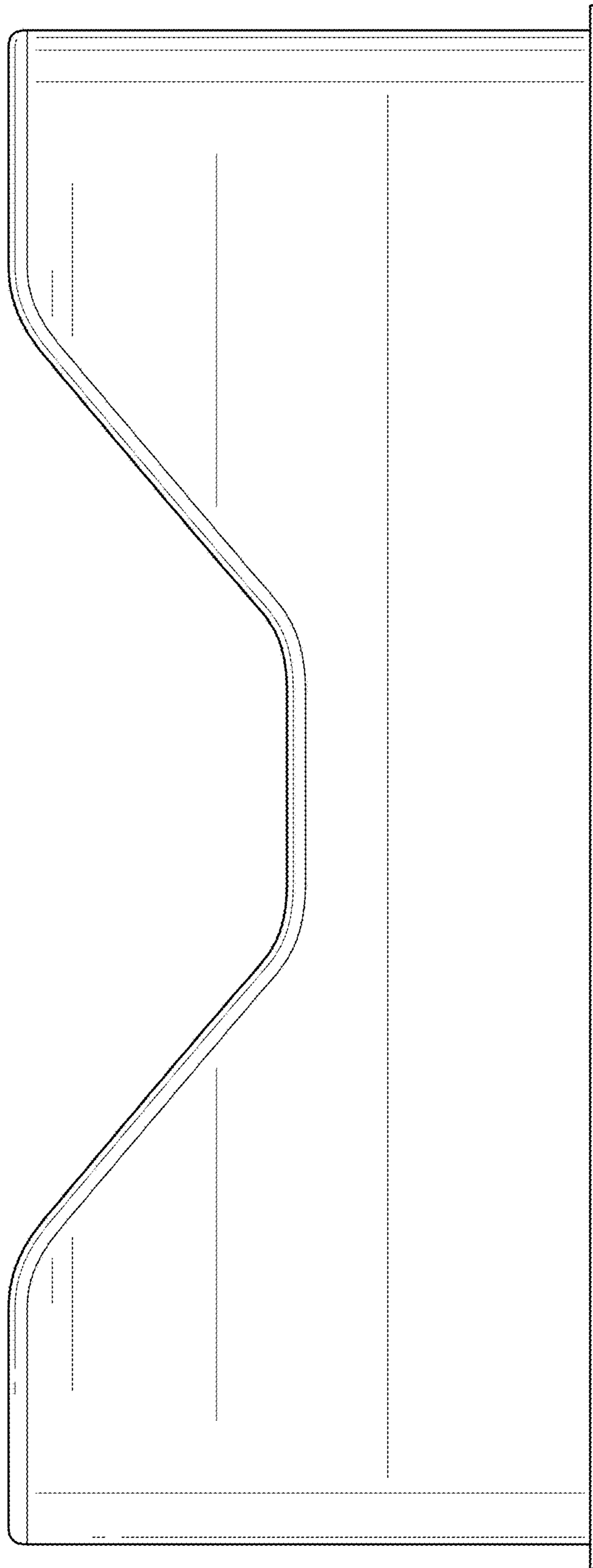


FIG. 6

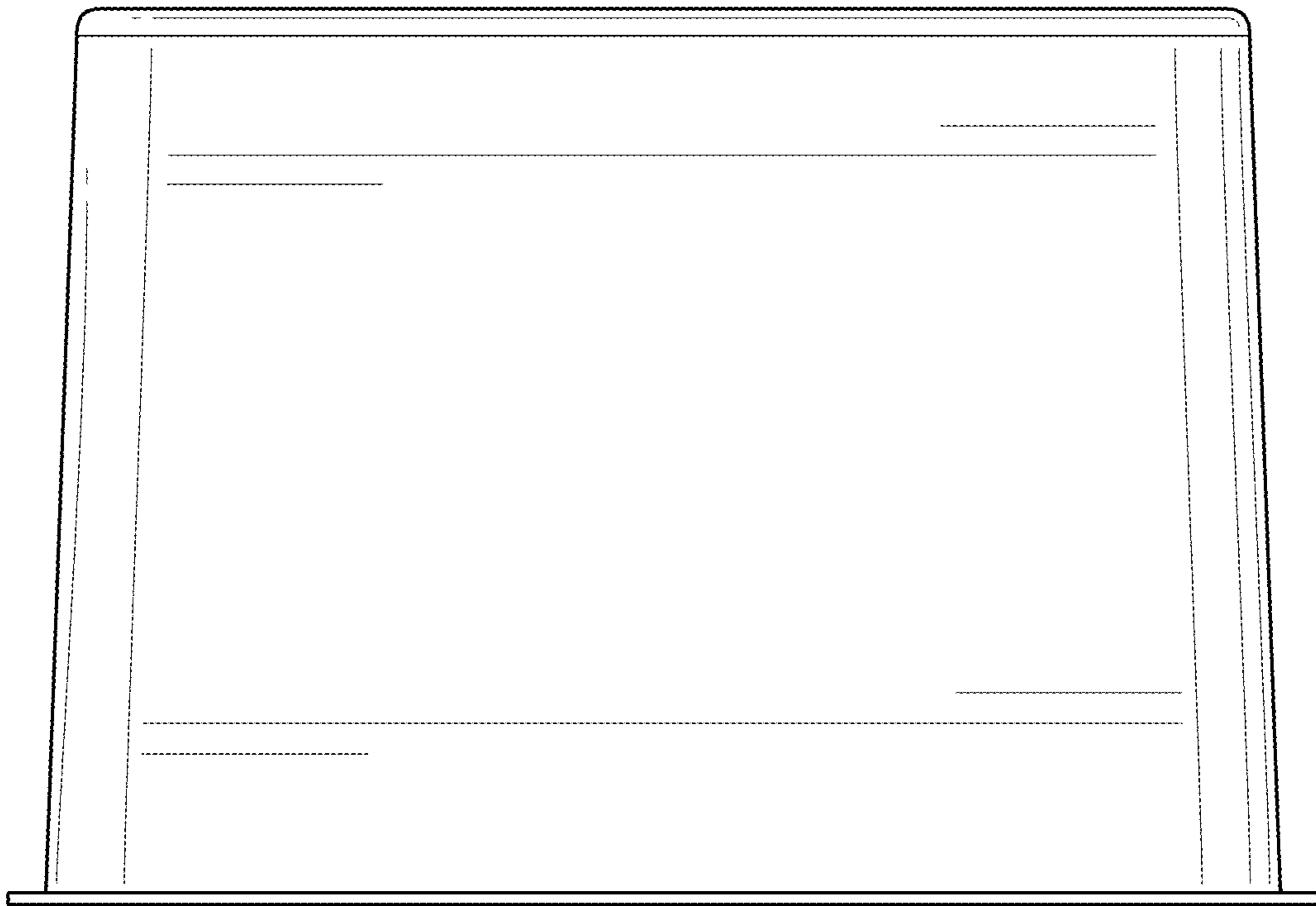


FIG. 7

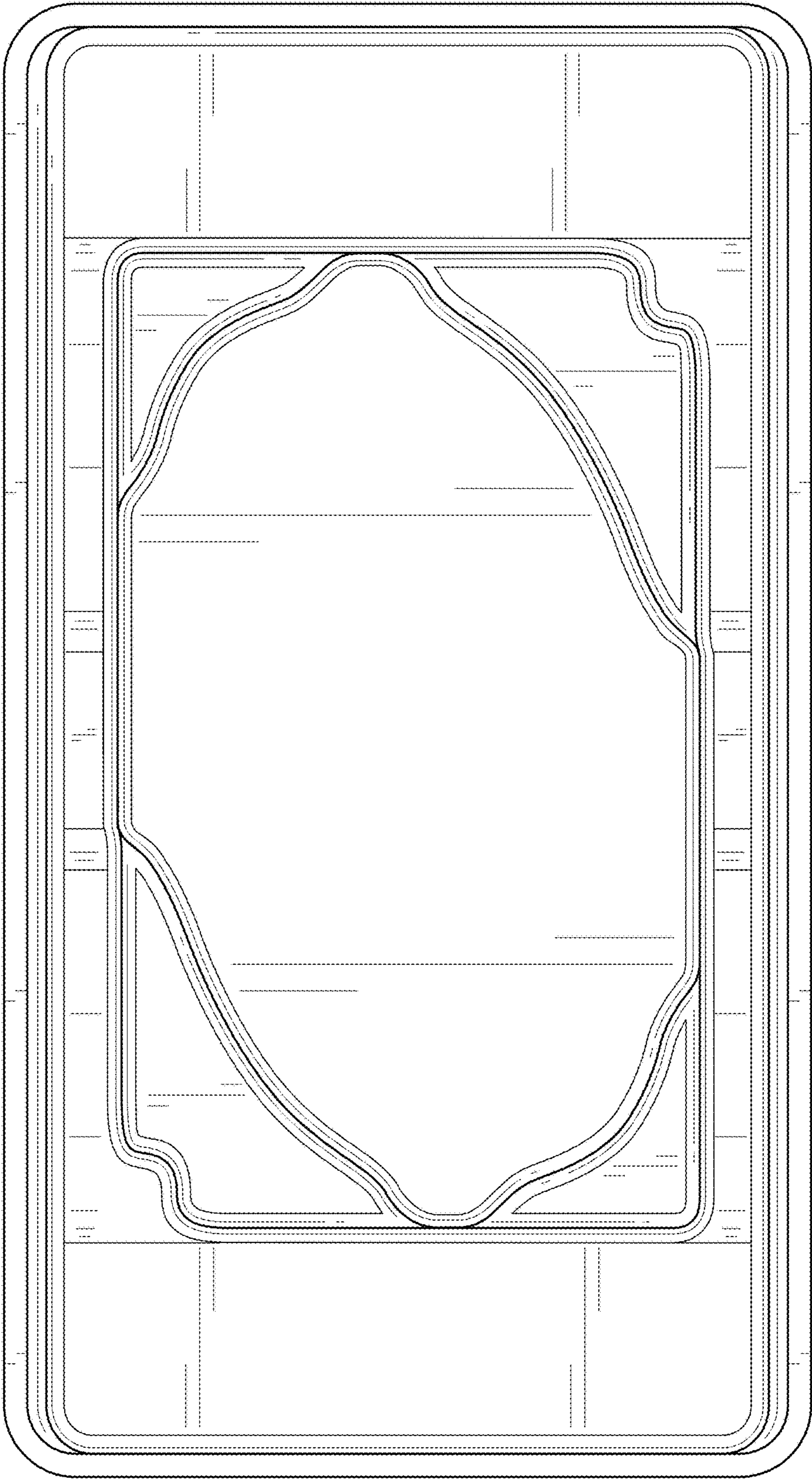


FIG. 8

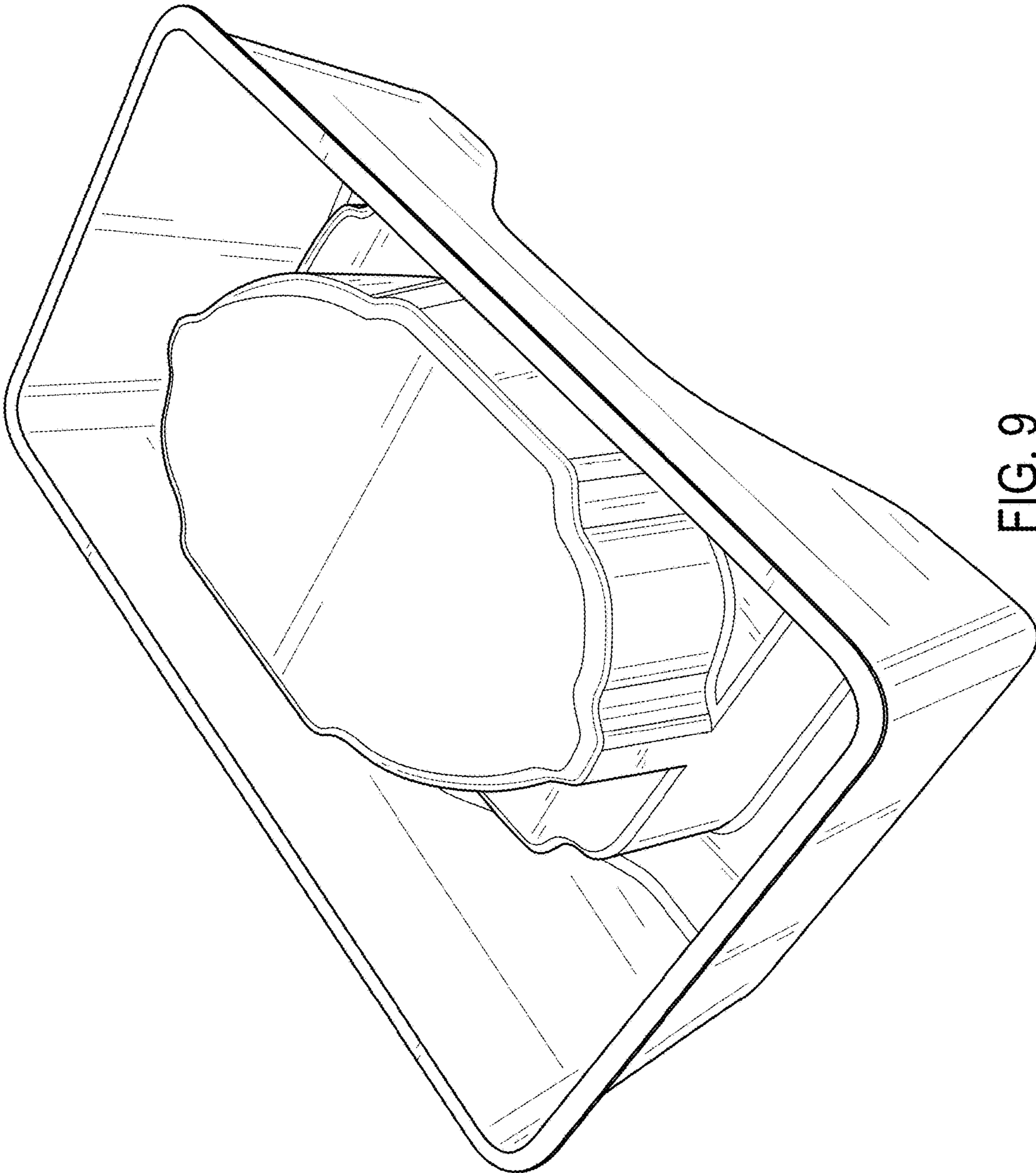


FIG. 9

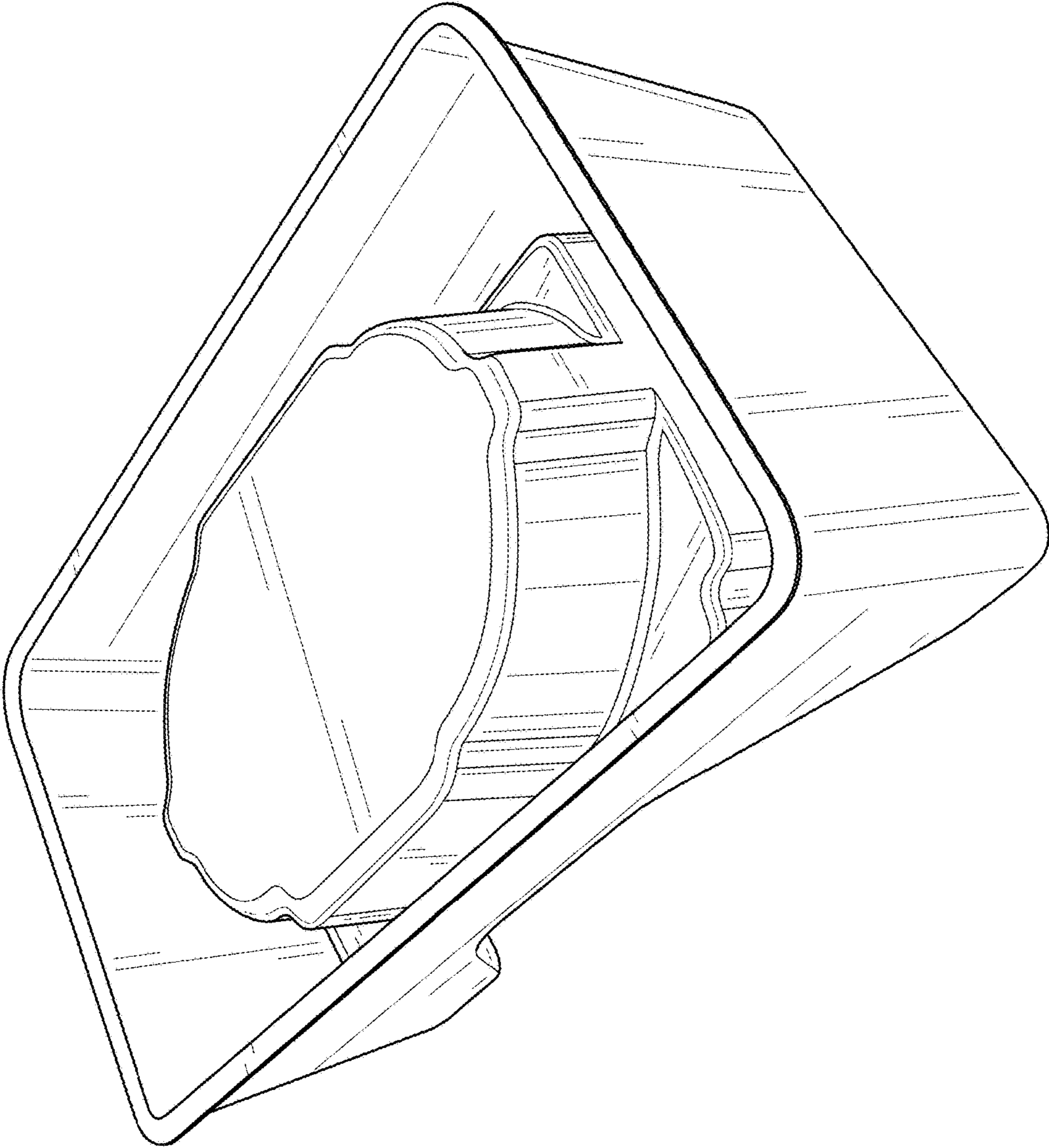


FIG. 10

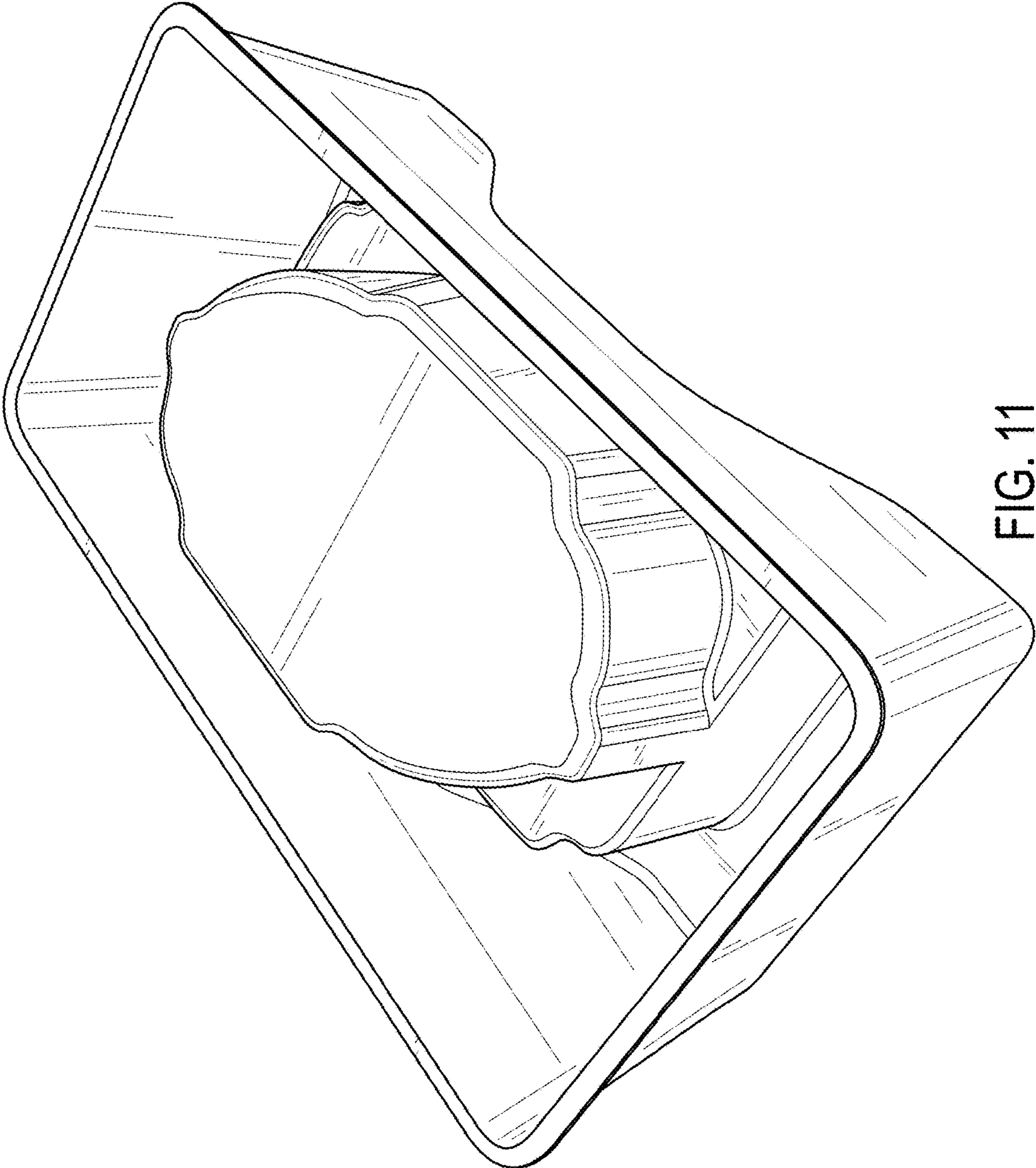


FIG. 11

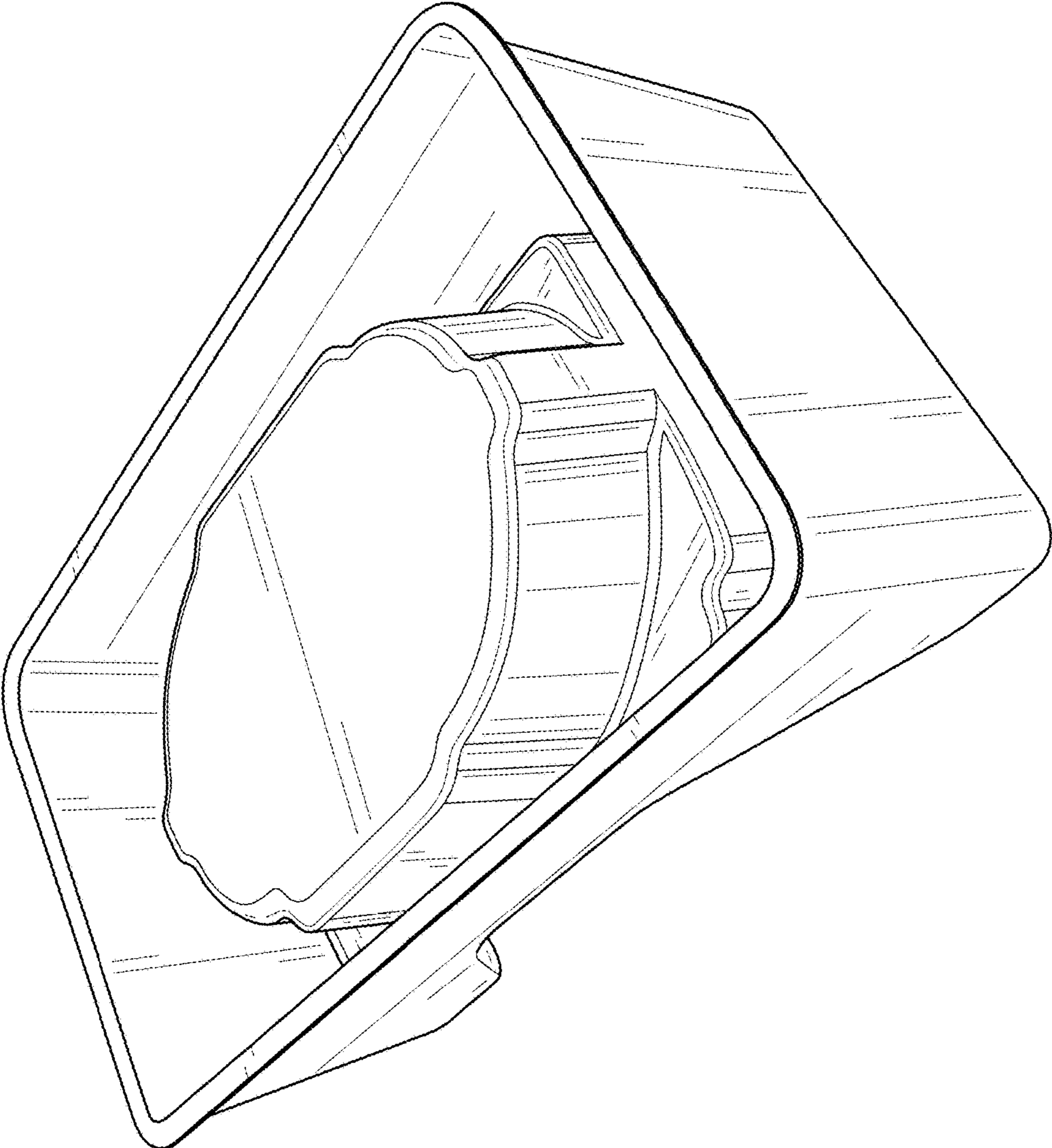


FIG. 12