



US00D817171S

(12) **United States Design Patent** (10) **Patent No.:** **US D817,171 S**
Patrick et al. (45) **Date of Patent:** **** May 8, 2018**

(54) **DISPENSING CUP**

(56) **References Cited**

(71) Applicant: **The Procter & Gamble Company**,
Cincinnati, OH (US)
(72) Inventors: **George Junior Angelo Patrick**,
Springdale, OH (US); **Christopher**
Robert Kopulos, Cincinnati, OH (US);
Douglas Michael McGahan, Bethel,
OH (US)
(73) Assignee: **The Procter & Gamble Company**,
Cincinnati, OH (US)

U.S. PATENT DOCUMENTS

D96,926 S *	9/1935	Lindemann	D9/451
D447,418 S *	9/2001	Bezek	D9/445
D490,709 S *	6/2004	Bezek	D9/444
D517,407 S *	3/2006	Floyd	D9/435
D534,427 S *	1/2007	Crawford	D9/451
D535,879 S *	1/2007	Crawford	D9/451
D590,711 S *	4/2009	Floyd	D9/435

(Continued)

Primary Examiner — Michael A. Pratt
Assistant Examiner — Wendy L Arminio
(74) *Attorney, Agent, or Firm* — Gary J. Foose

(**) Term: **15 Years**

(57) **CLAIM**

The ornamental design for a dispensing cup, as shown and described.

(21) Appl. No.: **29/584,981**

DESCRIPTION

(22) Filed: **Nov. 18, 2016**

(51) **LOC (11) Cl.** **09-07**

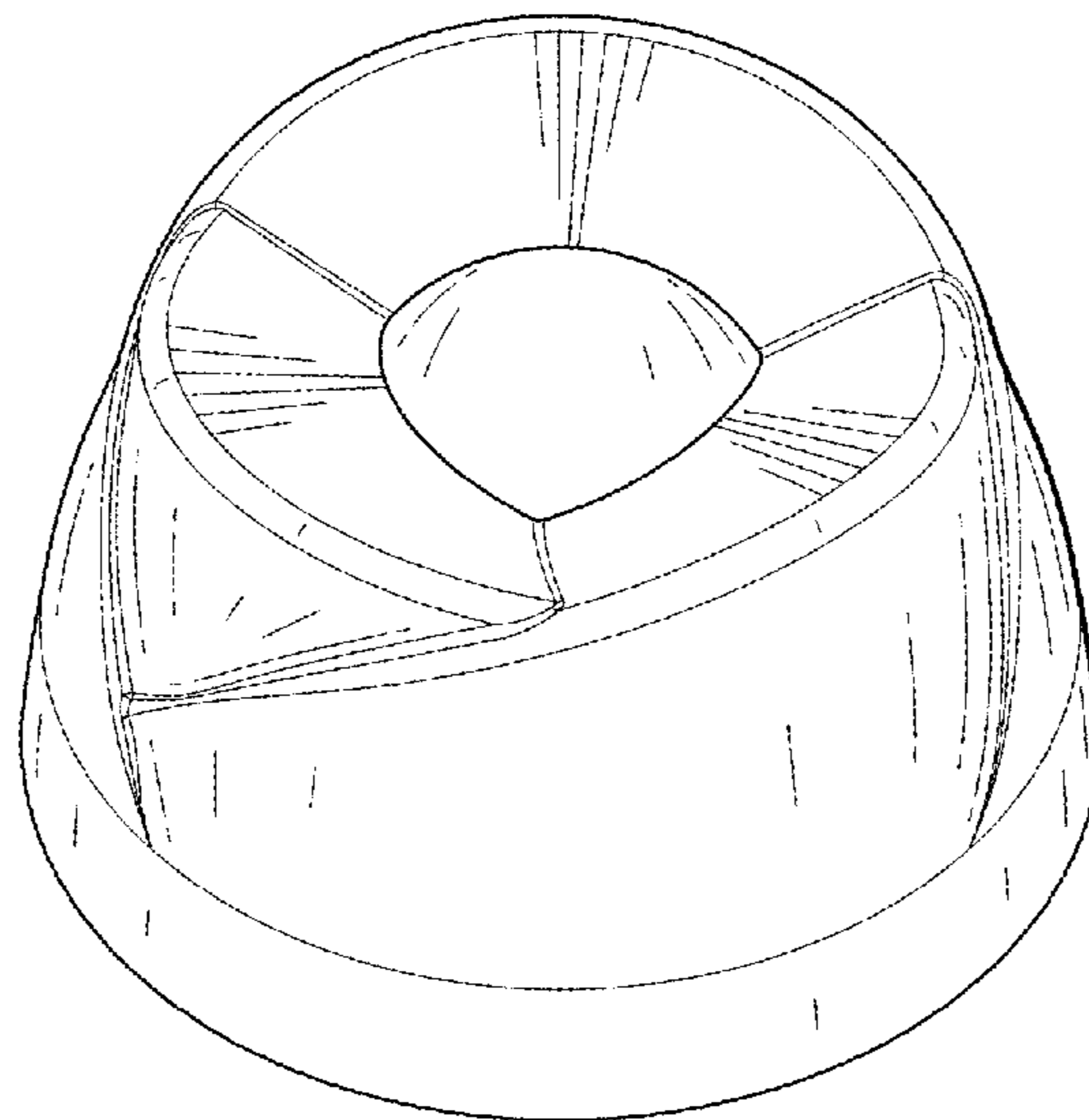
(52) **U.S. Cl.**
USPC **D9/451**; D9/435; D9/445

(58) **Field of Classification Search**
USPC D9/428, 429, 434, 435, 442, 443,
D9/445-450, 453-456, 499, 682, 684,
D9/685, 726, 451; D7/387, 388, 392,
D7/392.1, 393, 396.2, 396.3, 396.4,
D7/401.1, 408, 504, 507, 509-511, 538,
D7/900; D3/202, 203.2, 318; D28/91.1
CPC .. A61J 1/00; A61J 1/1412; B65D 1/00; B65D
1/02; B65D 1/10; B65D 1/46; B65D
2585/56; B65D 2585/545; B65D 41/00;
B65D 41/38; B65D 41/56; B65D 41/62;
B65D 47/00; B65D 47/06; B65D 47/08;
B65D 2543/00046; B65D 2543/00092;
B65D 2543/00296; B65D 5/46; B65D
2251/00

FIG. 1 is a perspective view of a first embodiment of a dispensing cup;
FIG. 2 is a top view of the dispensing cup of FIG. 1
FIG. 3 is a side view of the dispensing cup of FIG. 1;
FIG. 4 is a side view of the dispensing cup of FIG. 1, opposite the side view shown in FIG. 3;
FIG. 5 is a rear view of the dispensing cup of FIG. 1;
FIG. 6 is a front view of the dispensing cup of FIG. 1; and
FIG. 7 is a bottom view of the dispensing cup of FIG. 1.
FIG. 8 is a perspective view of a second embodiment of a dispensing cup;
FIG. 9 is a top view of the dispensing cup of FIG. 8
FIG. 10 is a side view of the dispensing cup of FIG. 8;
FIG. 11 is a side view of the dispensing cup of FIG. 8, opposite the side view shown in FIG. 10;
FIG. 12 is a rear view of the dispensing cup of FIG. 8;
FIG. 13 is a front view of the dispensing cup of FIG. 8; and,
FIG. 14 is a bottom view of the dispensing cup of FIG. 8.
The broken lines shown in the drawings depict portions of the dispensing cup that form no part of the claimed design.

See application file for complete search history.

1 Claim, 7 Drawing Sheets



(56)

References Cited

U.S. PATENT DOCUMENTS

D598,284	S	*	8/2009	Floyd	D9/451
D627,196	S	*	11/2010	George	D7/510
D629,880	S	*	12/2010	Hisey	D23/366
D632,774	S	*	2/2011	Hisey	D23/366
D638,295	S	*	5/2011	Heidel	D9/454
D644,105	S	*	8/2011	Thielman	D9/452
D655,610	S	*	3/2012	Rice	D9/418
D656,022	S	*	3/2012	Thielman	D9/435
D668,153	S	*	10/2012	Mavin	D9/443
D675,308	S	*	1/2013	Freeborn	D23/366
D676,327	S	*	2/2013	Rice	D9/452
D681,460	S	*	5/2013	Kim	D9/443
D682,694	S	*	5/2013	van den Hoonard	D9/445
D687,714	S	*	8/2013	De Wilde	D9/451
D703,050	S	*	4/2014	Lopez	D9/441
D703,051	S	*	4/2014	Riley	D9/441
D704,556	S	*	5/2014	van den Hoonard	D9/451
D705,062	S	*	5/2014	Jo	D9/435
D705,067	S	*	5/2014	Dubitsky	D9/444
D715,910	S	*	10/2014	Lin	A61L 9/03 D23/366
D716,654	S	*	11/2014	Dubitsky	D9/435
D716,661	S	*	11/2014	Dubitsky	D9/435
D736,624	S	*	8/2015	Berlepsch	D9/451
D754,541	S	*	4/2016	Jasso Gomez	D9/451
D781,708	S	*	3/2017	Jasso Gomez	D9/451
D799,963	S	*	10/2017	Akiyama	D9/454

* cited by examiner

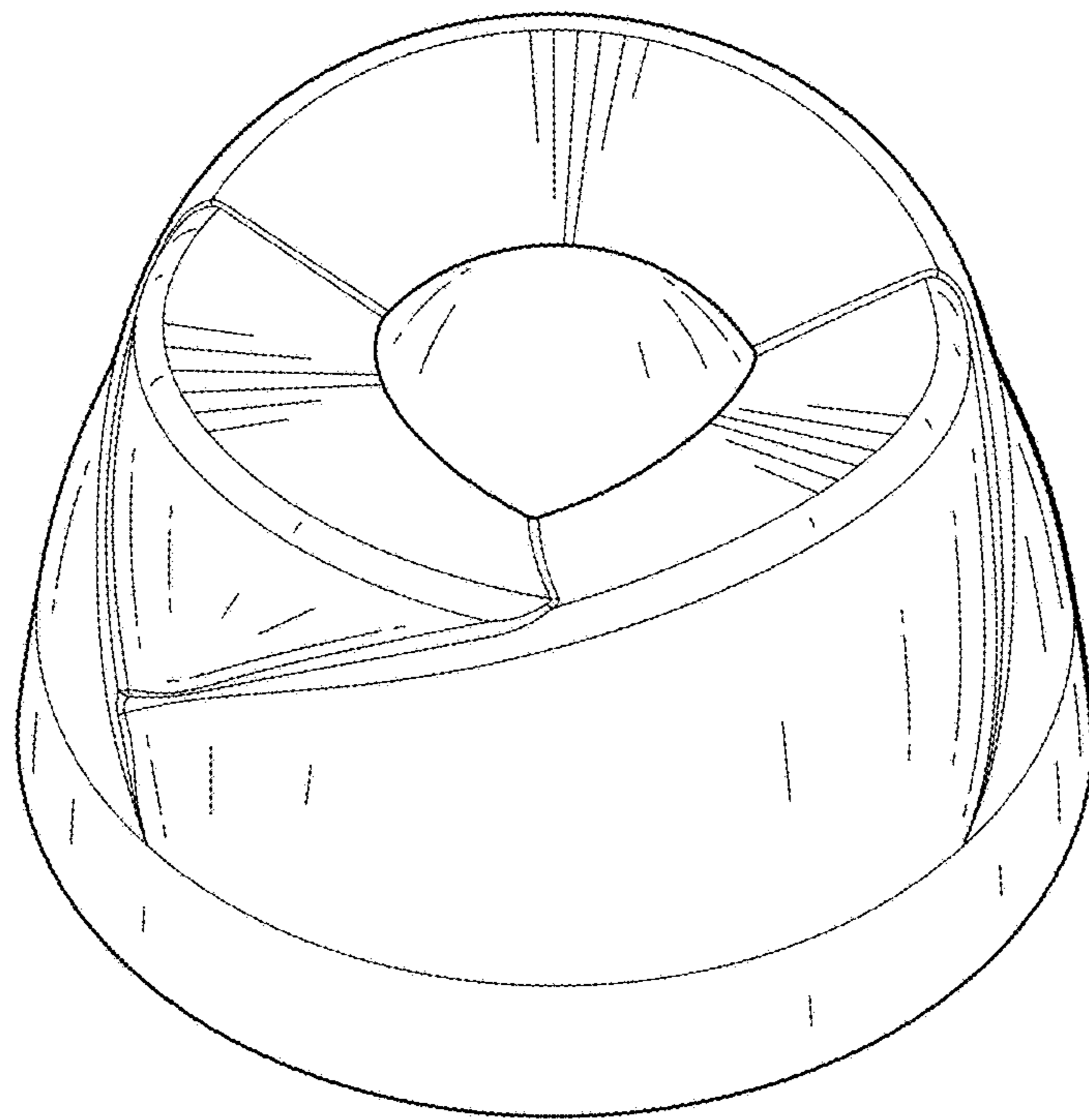


FIG. 1

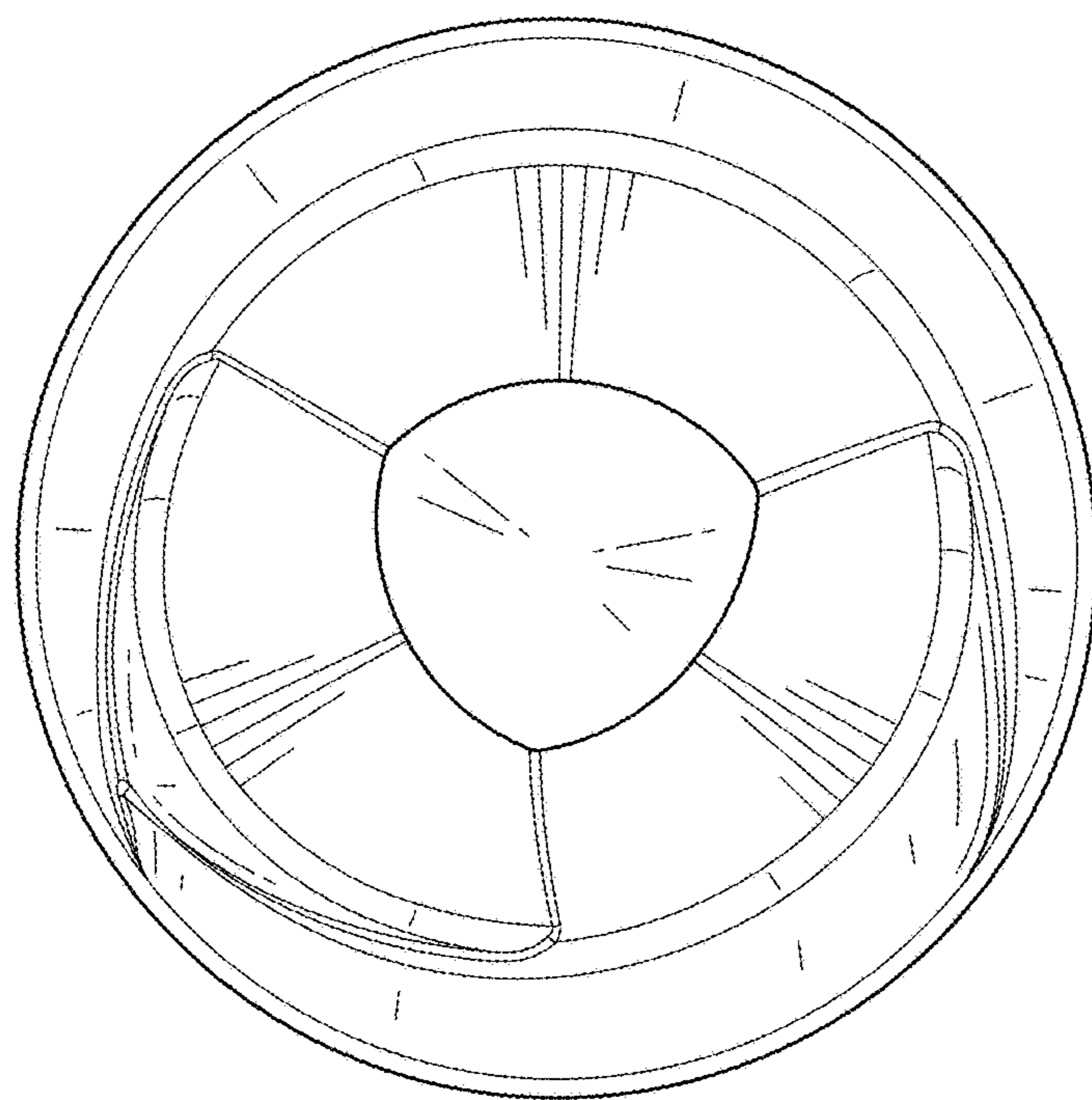


FIG. 2

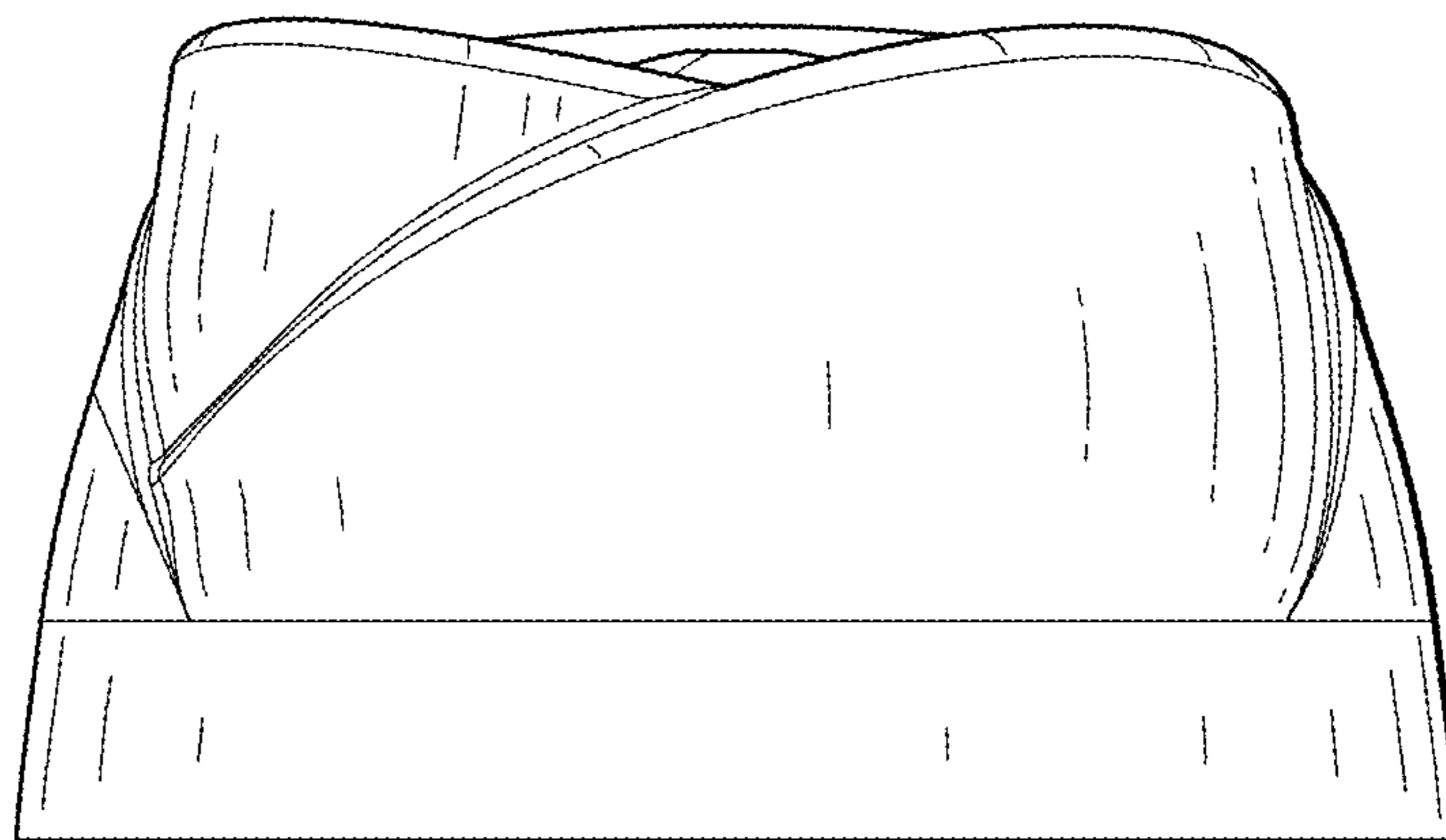


FIG. 3

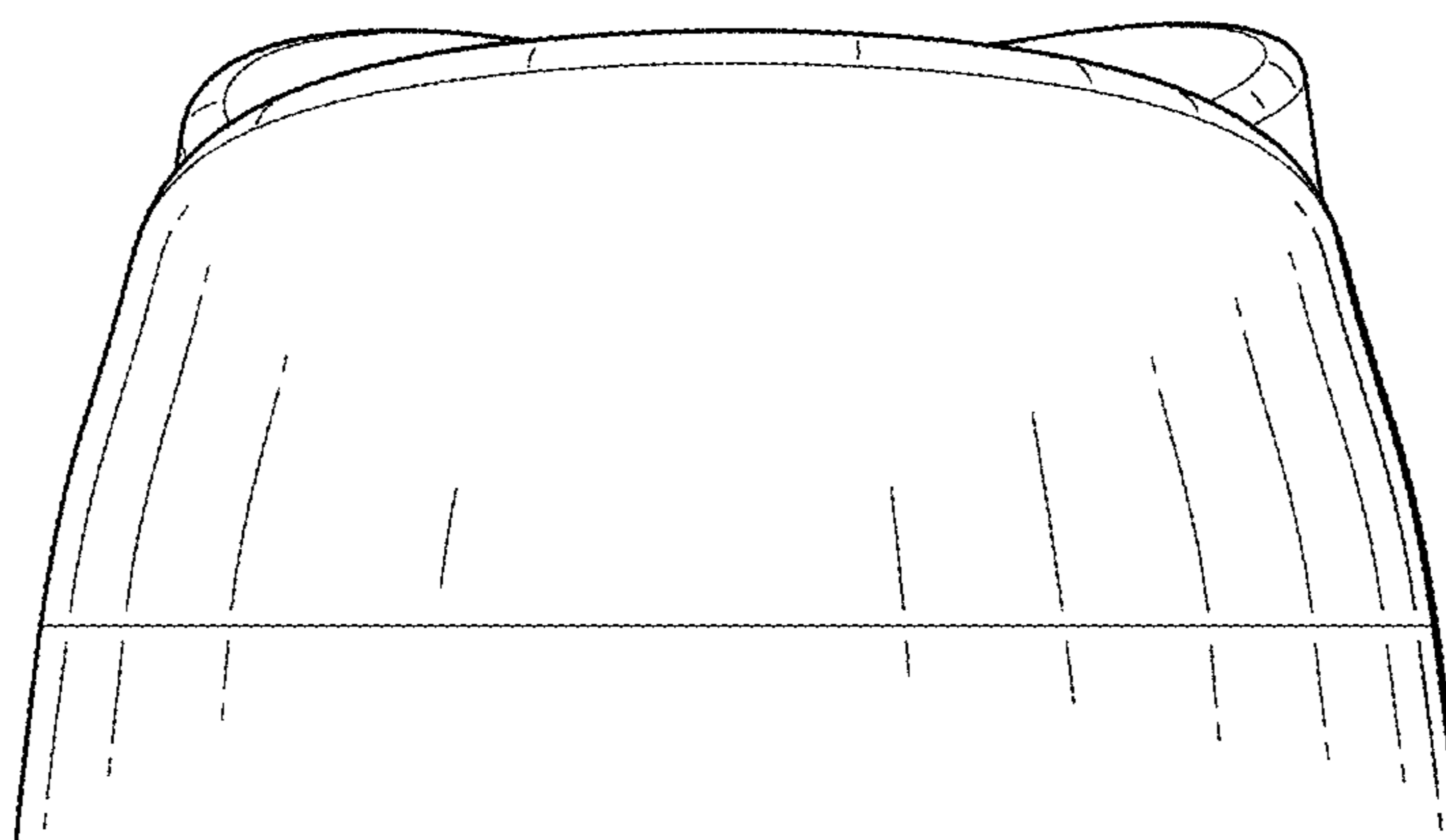


FIG. 4

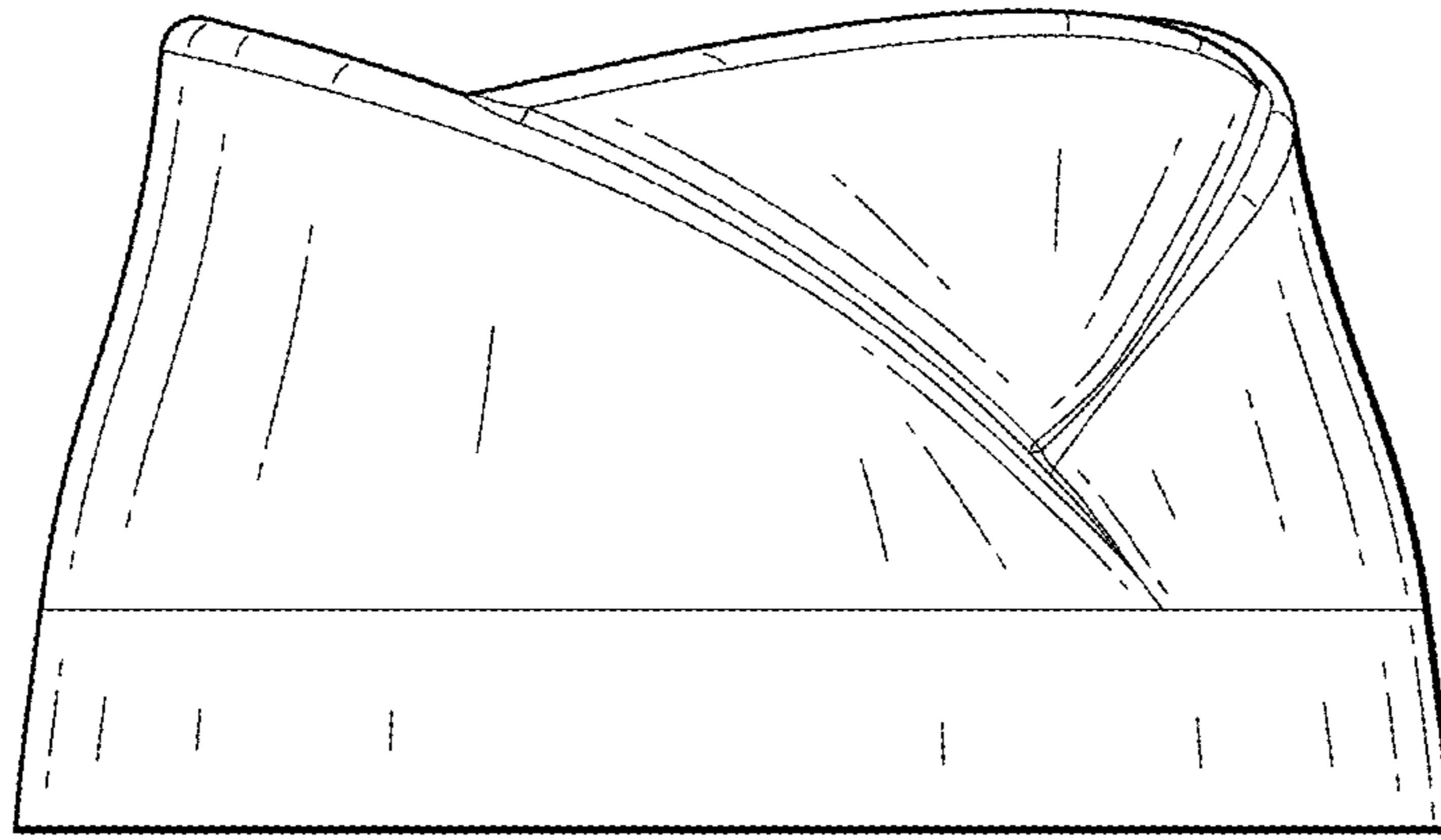


FIG. 5

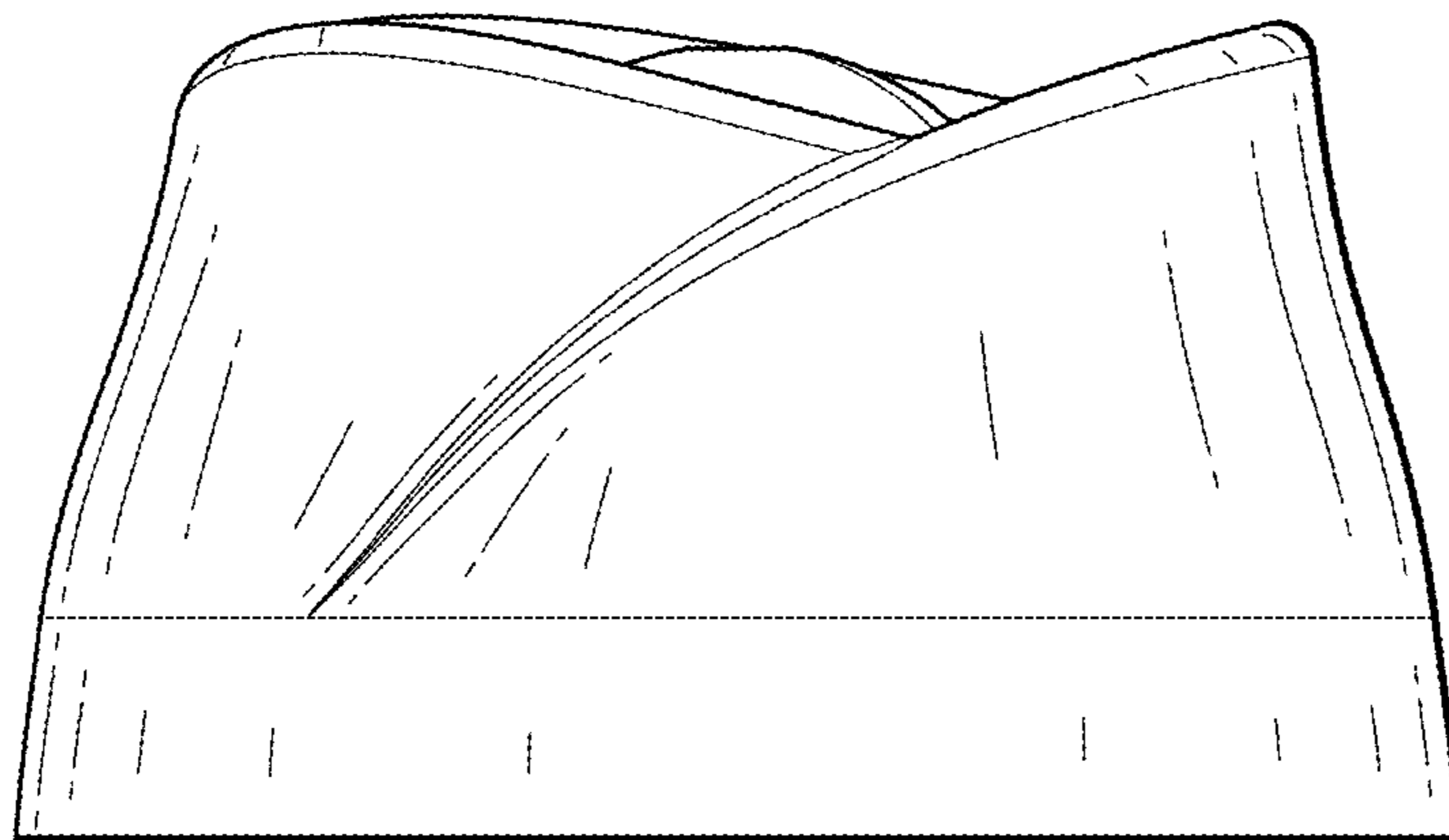


FIG. 6

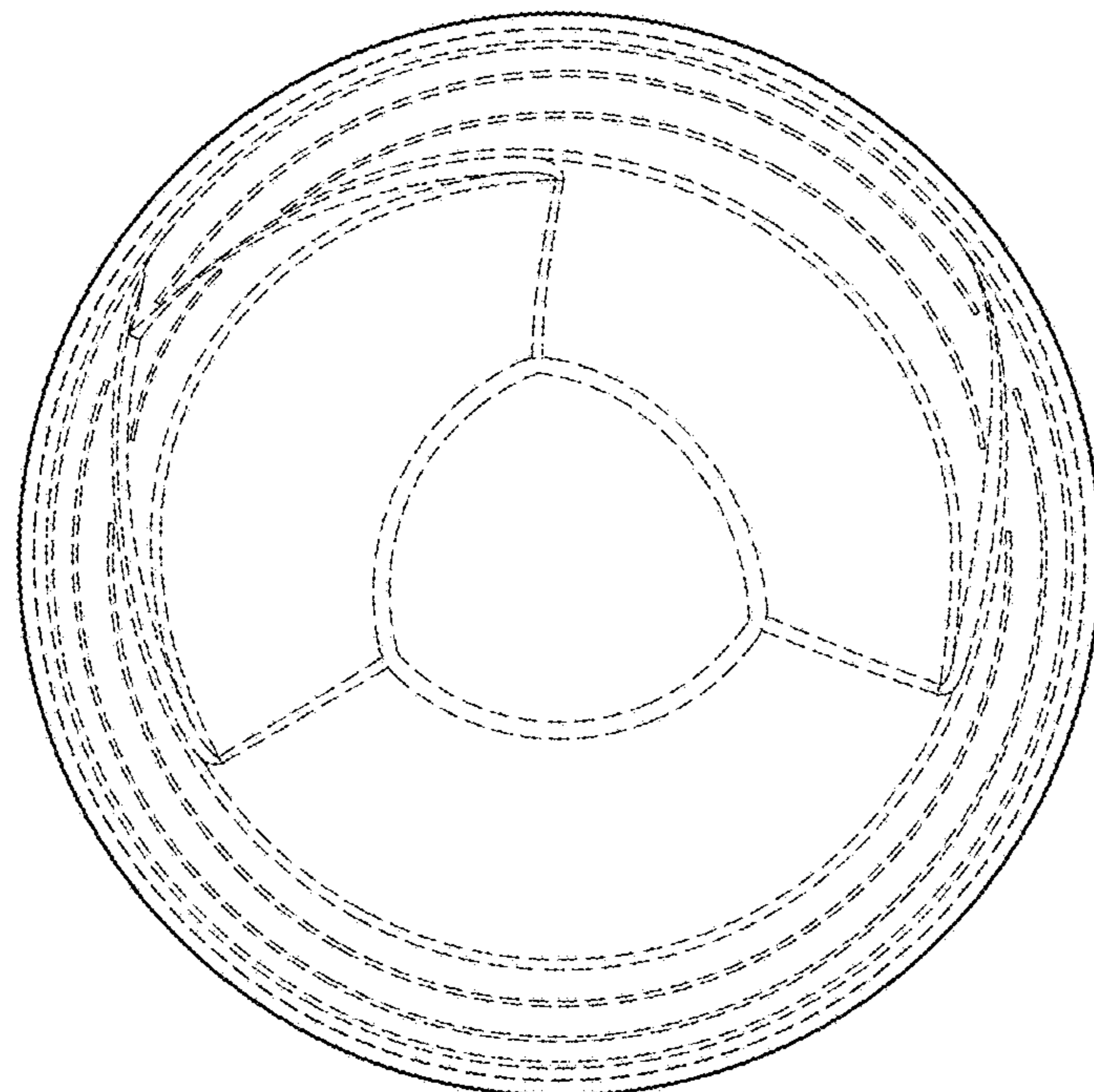


FIG. 7

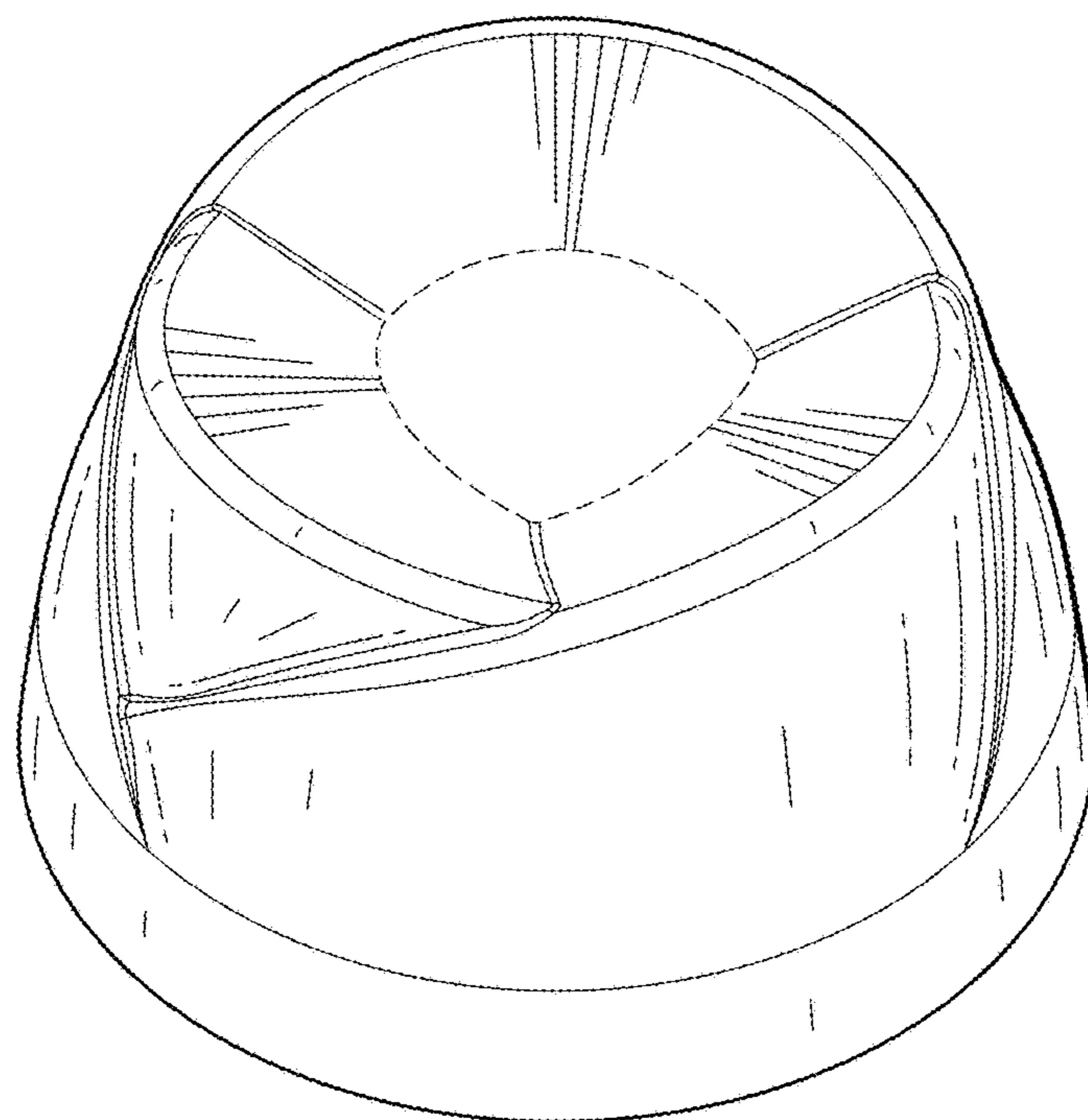


FIG. 8

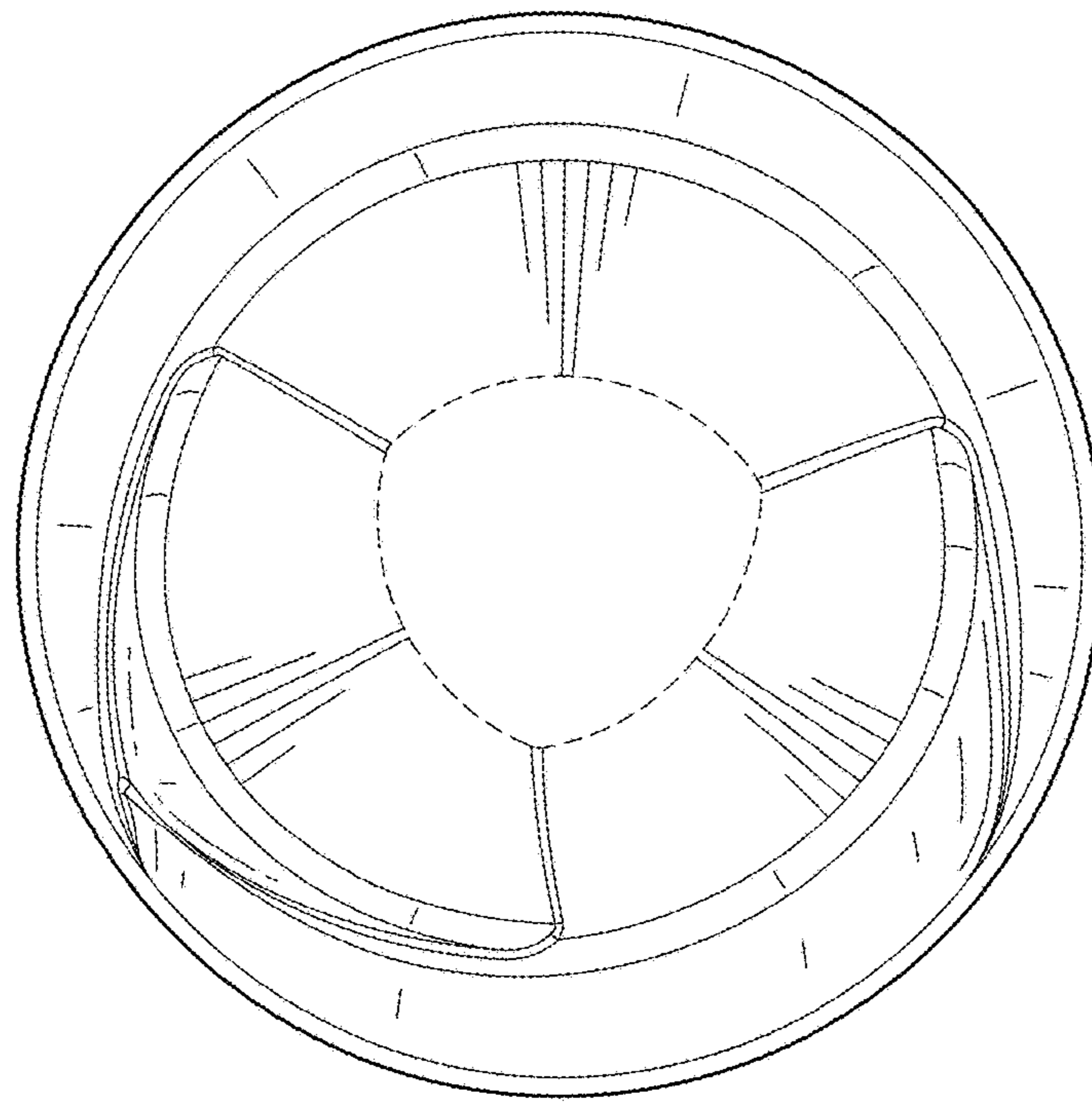


FIG. 9

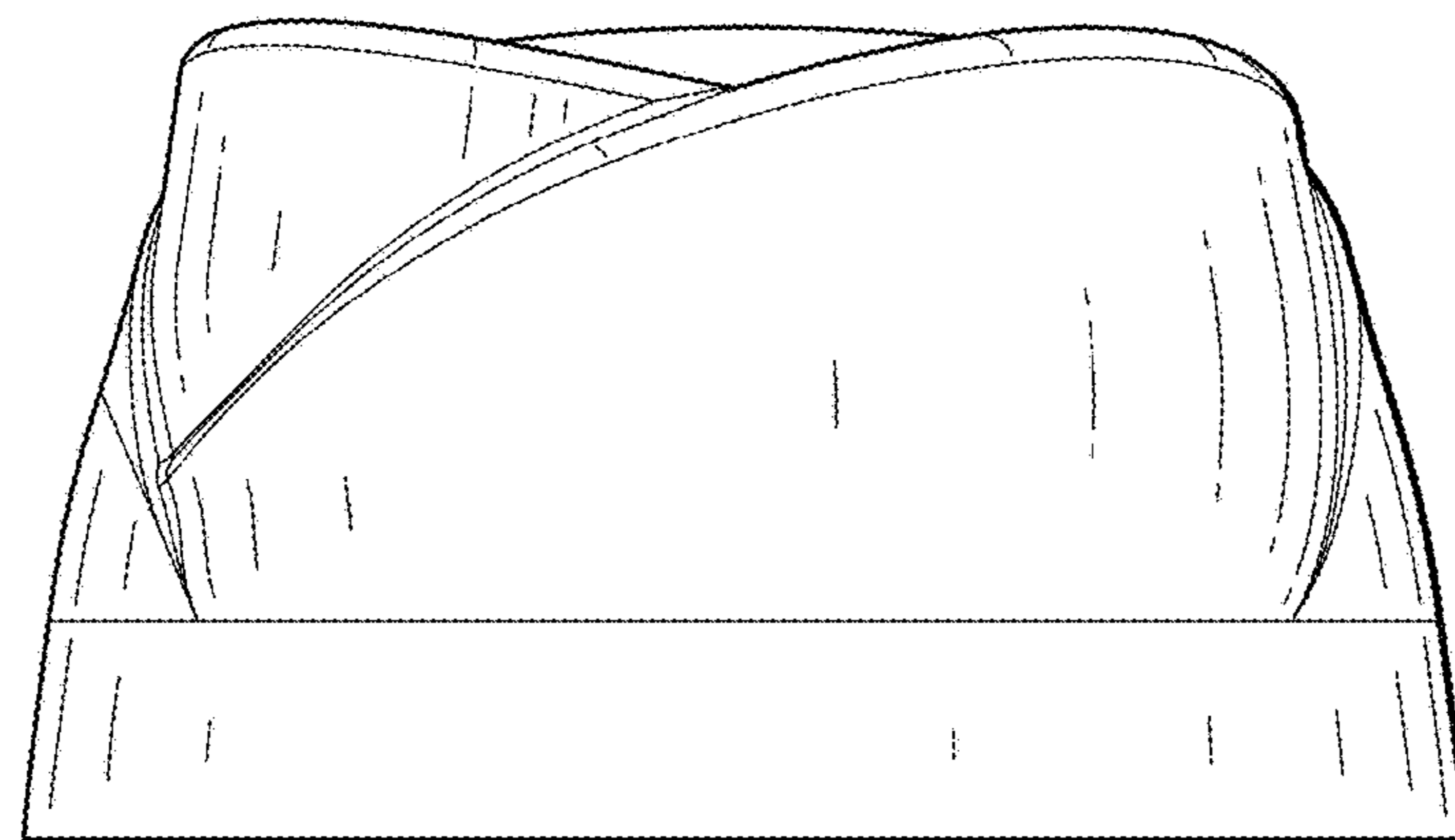


FIG. 10

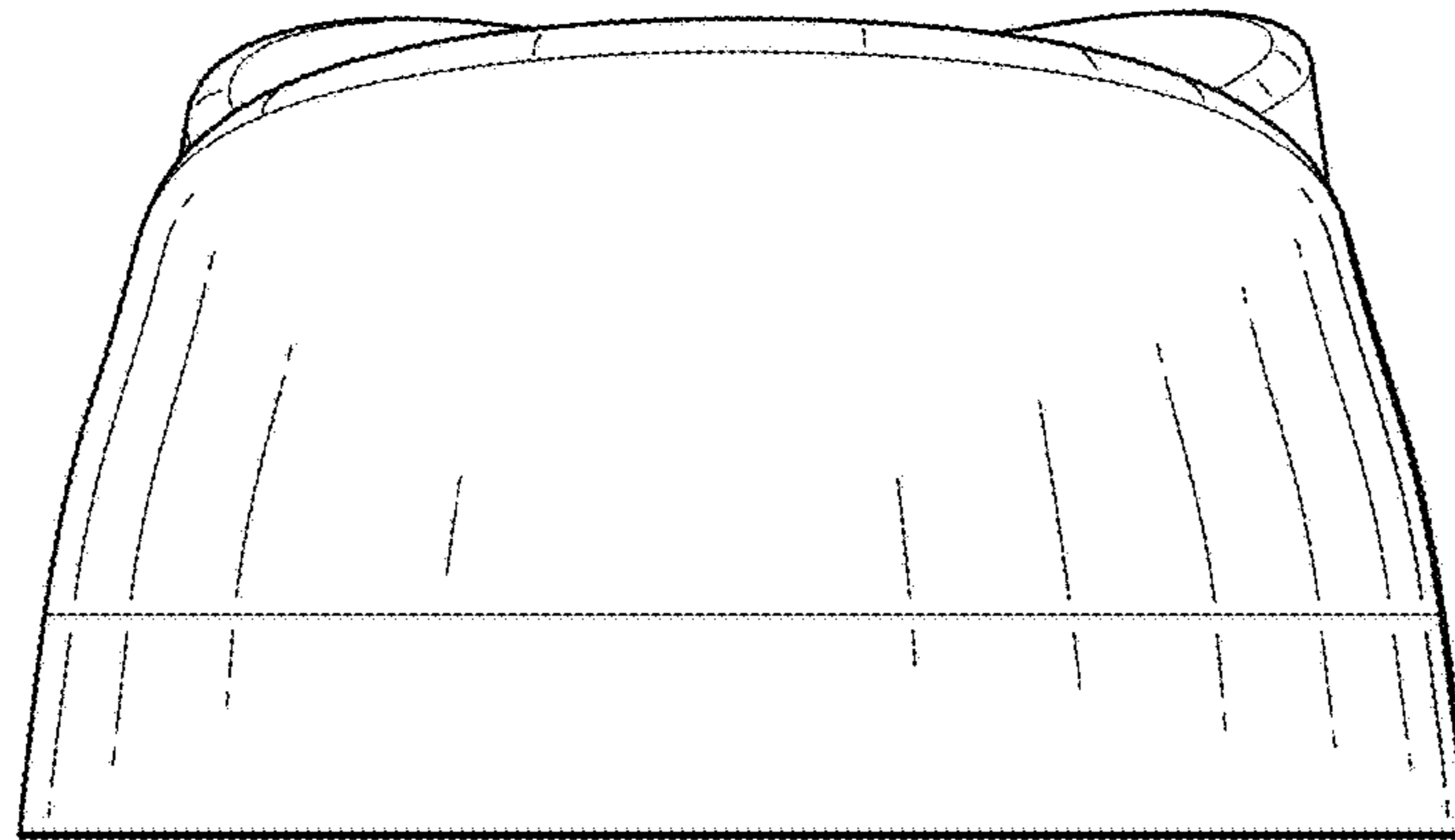


FIG. 11

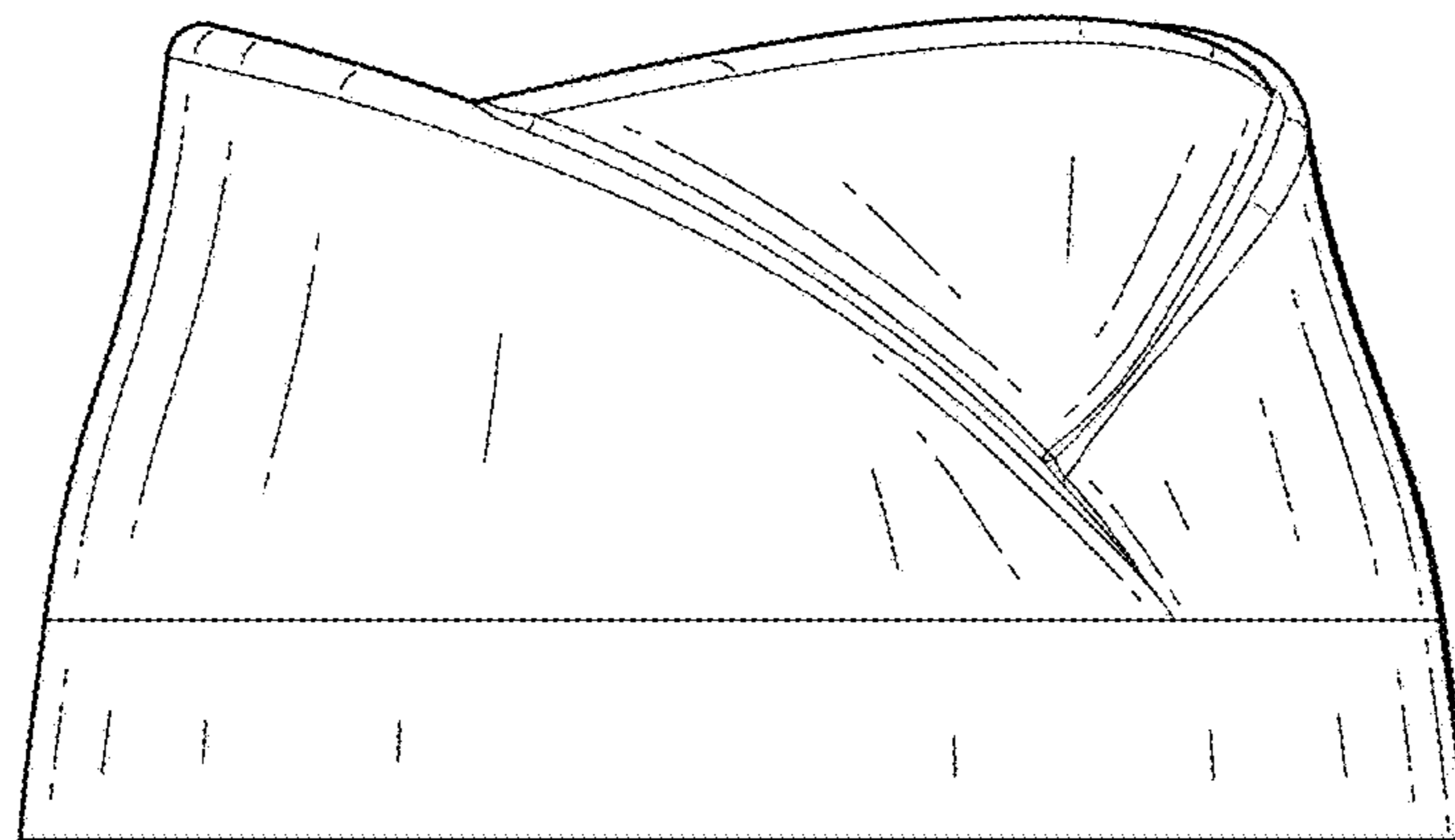


FIG. 12

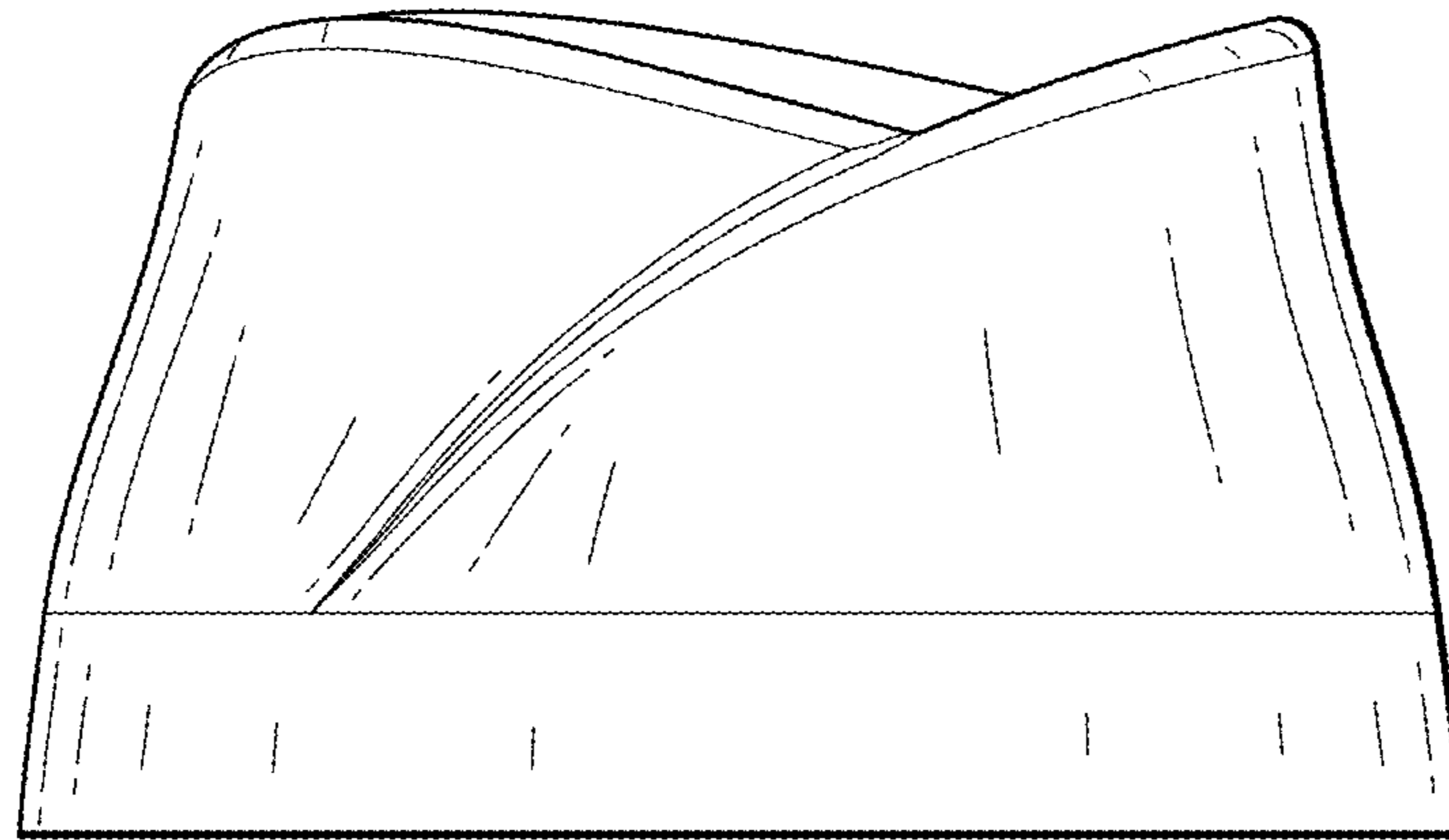


FIG. 13

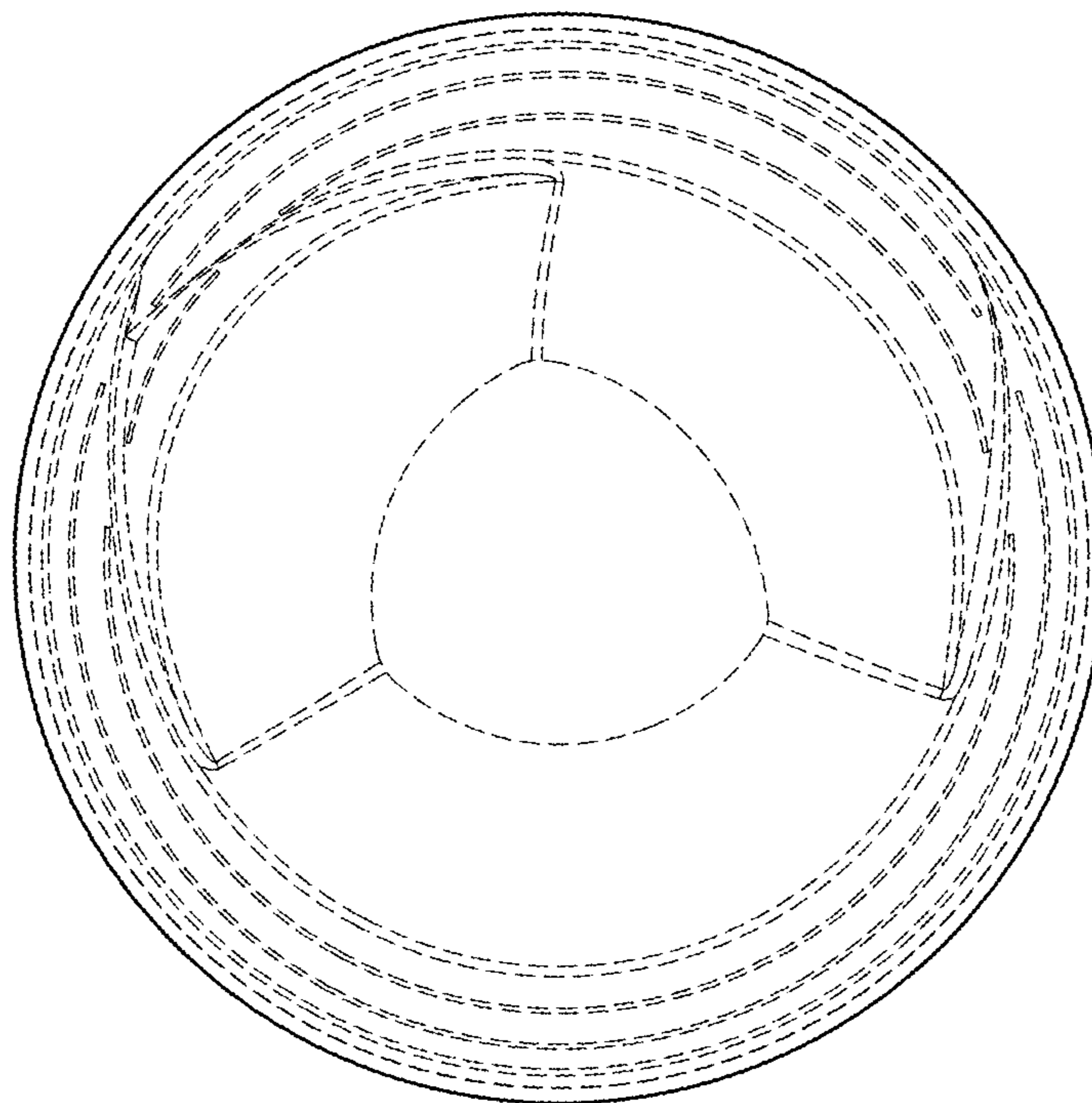


FIG. 14