



US00D817170S

(12) **United States Design Patent**
Seiders et al.

(10) **Patent No.:** **US D817,170 S**
(45) **Date of Patent:** **** May 8, 2018**

(54) **LID**

(71) Applicant: **YETI Coolers, LLC**, Austin, TX (US)

(72) Inventors: **Roy Joseph Seiders**, Austin, TX (US);
Derek G. Sullivan, Austin, TX (US);
Andy Bondhus, Austin, TX (US); **Evan Goldberg**, Austin, TX (US)

(73) Assignee: **YETI Coolers, LLC**, Austin, TX (US)

(**) Term: **15 Years**

(21) Appl. No.: **29/568,695**

(22) Filed: **Jun. 20, 2016**

(51) **LOC (11) Cl.** **09-07**

(52) **U.S. Cl.**
USPC **D9/449; D7/396.2**

(58) **Field of Classification Search**
USPC D3/294, 295; D7/213, 387, 392, 392.1,
D7/396.1, 396.2, 396.3, 541, 546, 549,
D7/554.2, 554.3, 602, 605, 701, 703, 705;
D9/414, 420, 426, 428, 430, 434-436,
D9/438, 443, 449, 454, 455, 499, 703,
D9/717, 721
CPC B65D 47/122; B65D 47/2037; B65D
2581/3447
See application file for complete search history.

(56) **References Cited**

U.S. PATENT DOCUMENTS

D109,331 S	4/1938	McManus et al.
D154,378 S	7/1949	Fuller
D177,761 S	5/1956	Reinhardt
D192,192 S	2/1962	Tupper
D224,646 S	8/1972	Vollquartz
D235,303 S	6/1975	Boucher

(Continued)

FOREIGN PATENT DOCUMENTS

CN	301110494	1/2010
CN	303528321	12/2015

(Continued)

OTHER PUBLICATIONS

Yeti Rambler. Jul. 19, 2016 [earliest online date], [site visited Apr. 7, 2017]. Available from Internet, <URL:http://yeti.com/rambler>.*
(Continued)

Primary Examiner — Robert M Spear
Assistant Examiner — Darcey E Heflin

(74) *Attorney, Agent, or Firm* — Banner & Witcoff, Ltd.

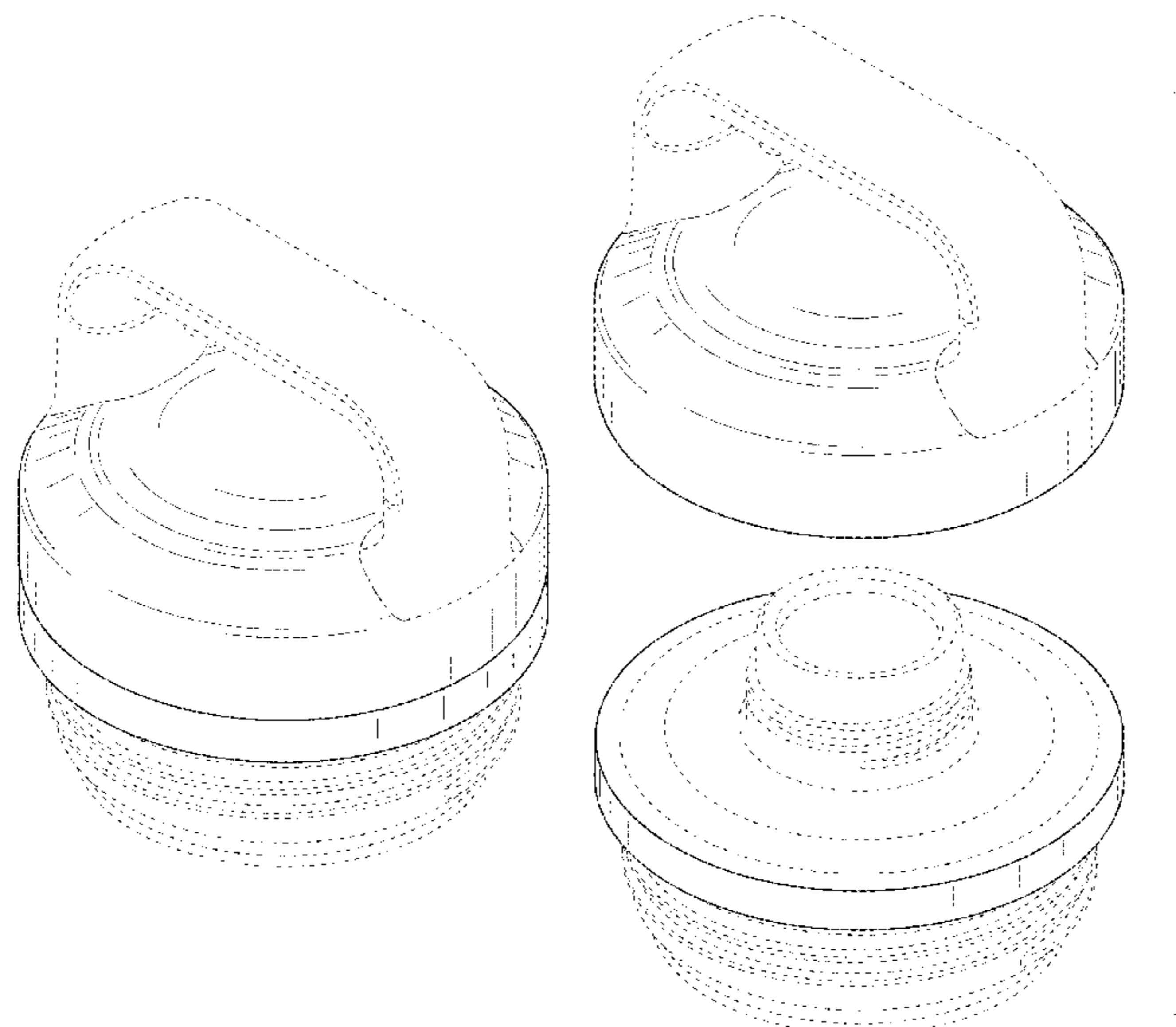
(57) **CLAIM**

The ornamental design for a lid, as shown and described.

DESCRIPTION

FIG. 1 is a top, front, right perspective view of a lid showing our new design;
FIG. 2 is a front view thereof;
FIG. 3 is a rear view thereof;
FIG. 4 is a right side view thereof;
FIG. 5 is a left side view thereof;
FIG. 6 is a top view thereof;
FIG. 7 is a bottom view thereof;
FIG. 8 is a top, front, right perspective exploded view thereof;
FIG. 9 is a front exploded view thereof;
FIG. 10 is a rear exploded view thereof;
FIG. 11 is a right exploded view thereof;
FIG. 12 is a left exploded view thereof;
FIG. 13 is a top exploded view thereof; and,
FIG. 14 is a bottom exploded view thereof.
The claim is defined by the shaded surfaces. In the drawings the broken lines showing portions of the lid depict environment and form no part of the claimed design.

1 Claim, 11 Drawing Sheets



(56)

References Cited

U.S. PATENT DOCUMENTS

4,090,660	A	5/1978	Schram et al.	D622,089	S	8/2010	Daniel et al.
4,202,459	A	5/1980	DeParales et al.	D622,145	S	8/2010	Walsh
D256,651	S	9/1980	Leung et al.	D623,475	S	9/2010	Aarnoudse et al.
4,408,703	A	10/1983	Libit	D623,896	S	9/2010	Wahl et al.
D279,346	S	6/1985	Ruxton	D626,414	S	11/2010	Cresswell et al.
D281,567	S	12/1985	Zimmermann	D626,416	S	11/2010	Cresswell et al.
D286,604	S	11/1986	Bierlein et al.	D627,600	S	11/2010	Eyal
D286,847	S	11/1986	Zimmermann	D627,601	S	11/2010	Eyal
D287,211	S	12/1986	Weiss	D627,602	S	11/2010	Eyal
D290,678	S	* 7/1987	Johnson D7/387	D627,604	S	11/2010	Eyal
D305,871	S	* 2/1990	Geiger D9/435	D628,486	S	12/2010	Lane
D332,379	S	1/1993	Murphy	D629,689	S	12/2010	Cresswell et al.
D354,915	S	1/1995	Schneider et al.	D629,690	S	12/2010	Cresswell et al.
D363,666	S	10/1995	Goto et al.	D629,691	S	12/2010	Cresswell et al.
D368,224	S	3/1996	Arndt	D630,474	S	1/2011	Gilbert
D381,906	S	* 8/1997	Bartsch D9/438	D630,475	S	1/2011	Lu
D391,450	S	* 3/1998	Rausch D7/605	D631,666	S	2/2011	Lim et al.
D398,193	S	9/1998	Sanchez	D633,338	S	3/2011	Rosbach et al.
D405,650	S	2/1999	Meier	D633,794	S	3/2011	Cresswell et al.
D411,742	S	* 6/1999	Kokenge D9/434	D633,795	S	3/2011	Cresswell et al.
D415,395	S	10/1999	Hunt et al.	D633,796	S	3/2011	Cresswell et al.
D422,916	S	4/2000	Herrmann	D633,797	S	3/2011	Cresswell et al.
D437,556	S	* 2/2001	Holliday D9/436	D635,457	S	4/2011	Lane
D456,669	S	5/2002	Munari	D635,856	S	4/2011	Lauret
D458,133	S	6/2002	Berish et al.	D638,695	S	5/2011	Woodrow et al.
D458,134	S	6/2002	Berish et al.	D638,708	S	5/2011	Walsh
D466,814	S	12/2002	Hurlburt	D639,164	S	6/2011	Walsh
D479,800	S	9/2003	McRae	D639,661	S	6/2011	Llerena
D482,607	S	11/2003	McRae	D639,663	S	6/2011	Llerena
D485,759	S	1/2004	Janky et al.	D641,591	S	7/2011	Tsukida
D494,425	S	8/2004	Segura	D643,245	S	8/2011	Minarsch
D502,052	S	* 2/2005	Meade D7/388	D644,060	S	8/2011	Komeiji
D504,796	S	5/2005	Schuler et al.	D644,062	S	* 8/2011	Lorenz D7/396.2
D521,866	S	* 5/2006	Hicks D9/449	D647,753	S	11/2011	Lin
D524,909	S	7/2006	Bakke et al.	D651,847	S	1/2012	Gilbert
D525,518	S	7/2006	Baldwin	D652,255	S	1/2012	Carland
D536,929	S	2/2007	Kingsley	D652,682	S	1/2012	Eyal
D544,749	S	6/2007	Seum et al.	D654,762	S	2/2012	Gilbert
D548,082	S	8/2007	Kingsley	D655,134	S	3/2012	Gilbert
D552,926	S	10/2007	Yelland	D655,570	S	3/2012	Meehan
D553,914	S	10/2007	Wahl	D655,581	S	3/2012	Kotani
D554,000	S	10/2007	Walsh	D655,967	S	3/2012	Bodum
D554,503	S	* 11/2007	Kerman D9/438	D657,196	S	4/2012	Beyers, III
D554,993	S	* 11/2007	Kerman D9/438	D658,064	S	4/2012	Barnes et al.
D561,470	S	* 2/2008	Jalet D3/294	D658,445	S	5/2012	Carreno
D564,363	S	3/2008	Rhea	D659,007	S	5/2012	Pape
D568,740	S	5/2008	Williams	D660,084	S	5/2012	Gilbert
D572,585	S	7/2008	Perrin et al.	D662,360	S	6/2012	George
D584,623	S	1/2009	Chupak	8,215,511	B1	7/2012	Lin
D587,533	S	3/2009	Carreno	D664,809	S	8/2012	Eyal
D601,436	S	10/2009	Stephens et al.	D665,621	S	8/2012	Eyal
D603,331	S	11/2009	Schupp	D666,052	S	8/2012	Trombly
D603,722	S	11/2009	Reimer	D667,263	S	9/2012	Gilbert et al.
D604,181	S	11/2009	Reimer	D668,913	S	10/2012	Mayer
D604,561	S	11/2009	Chisholm	8,276,776	B2	10/2012	Roth et al.
D605,040	S	12/2009	Fry et al.	D672,238	S	12/2012	Aziz et al.
D605,060	S	12/2009	Reimer	D672,609	S	12/2012	Aziz et al.
D608,140	S	1/2010	Gilbert	D674,663	S	1/2013	Cahen
D608,195	S	* 1/2010	Germann D9/443	D675,100	S	1/2013	Herbst
D609,567	S	* 2/2010	Komet D9/438	D676,764	S	2/2013	Moore et al.
D611,346	S	3/2010	Camomile	D677,119	S	3/2013	Ying
D612,235	S	3/2010	Cresswell et al.	D678,772	S	3/2013	Johnson et al.
D614,918	S	5/2010	Chisholm	D680,389	S	4/2013	Zemel et al.
D615,360	S	5/2010	Joy et al.	D684,059	S	6/2013	Johnson et al.
D615,816	S	5/2010	Joy et al.	D684,813	S	* 6/2013	Eyal D7/392
D616,703	S	6/2010	Joy et al.	D686,078	S	7/2013	Johnson et al.
D616,743	S	6/2010	Cresswell et al.	D688,093	S	8/2013	Roth et al.
D616,744	S	6/2010	Cresswell et al.	D691,416	S	10/2013	Eyal
D618,500	S	* 6/2010	Hardaway D7/396.2	D692,756	S	11/2013	McClellan et al.
D619,457	S	7/2010	Walsh	D693,698	S	11/2013	Miller, Jr.
D619,458	S	7/2010	Walsh	D695,138	S	12/2013	Ball
D619,459	S	7/2010	Walsh	D696,945	S	1/2014	Newman
D620,798	S	8/2010	Cresswell et al.	D697,404	S	1/2014	Johnson et al.
D621,257	S	8/2010	Gullickson et al.	D698,668	S	2/2014	Vaughn
D621,258	S	8/2010	Gullickson et al.	D701,464	S	3/2014	Ogata et al.
				D702,092	S	4/2014	Mettler et al.
				D702,506	S	4/2014	Mettler et al.
				D708,954	S	7/2014	Barnes et al.
				D709,734	S	7/2014	Kotani

(56)

References Cited

U.S. PATENT DOCUMENTS

D712,254 S	9/2014	Geis et al.	
D712,255 S	9/2014	Geis et al.	
D713,268 S	9/2014	Jones et al.	
D713,365 S	9/2014	Green	
D715,100 S	10/2014	Eyal	
D717,102 S	11/2014	Taketani et al.	
D717,115 S	11/2014	Lane et al.	
D721,540 S	1/2015	Grcic	
D724,385 S	3/2015	Hurley et al.	
D728,315 S	5/2015	Bo	
D728,995 S	5/2015	Barberi	
D729,579 S	5/2015	Molayem	
D729,584 S	5/2015	Weston et al.	
D732,337 S	6/2015	Coon et al.	
D732,402 S	6/2015	Jones et al.	
D734,154 S	7/2015	Johnson et al.	
D735,578 S	8/2015	Mazurkiewicz et al.	
D741,655 S	10/2015	Whelan et al.	
D743,742 S	11/2015	Rummel et al.	
D744,781 S	12/2015	Rummel et al.	
D747,199 S	1/2016	Phillips	
D751,340 S	3/2016	Seiders et al.	
D751,341 S	3/2016	Seiders et al.	
D752,381 S	3/2016	Wahl	
D754,472 S	4/2016	Munari	
D755,561 S	5/2016	Eyal	
D756,701 S	5/2016	Mettler et al.	
D758,859 S *	6/2016	Sorensen	D7/393
D760,080 S	6/2016	Gorbold	
D760,586 S *	7/2016	Seiders	D7/392.1
D761,618 S	7/2016	Lapsker	
D764,869 S	8/2016	Smrtnik et al.	
D764,916 S	8/2016	Mount, III et al.	
D766,085 S *	9/2016	Smith	D9/449
D772,651 S	11/2016	Leonard et al.	
D774,363 S *	12/2016	Seiders	D7/608
D777,508 S	1/2017	Goodwin et al.	
D779,872 S	2/2017	Bergstrom	
D780,577 S *	3/2017	Seiders	D7/392.1
D781,145 S *	3/2017	Seiders	D7/392.1
D781,146 S *	3/2017	Seiders	D7/392.1
D782,881 S	4/2017	Seiders et al.	
D783,367 S	4/2017	Seiders et al.	
D783,368 S	4/2017	Seiders et al.	
D786,671 S	5/2017	Khetarpaul et al.	
D788,544 S	6/2017	Seiders et al.	
D790,285 S	6/2017	Seiders et al.	
2008/0078787 A1	4/2008	Yelland	
2010/0288782 A1	11/2010	Lin	
2011/0114655 A1	5/2011	Bailey	
2011/0186585 A1	8/2011	Lu	
2012/0125931 A1	5/2012	Roth et al.	
2014/0251938 A1	9/2014	Rose et al.	
2014/0353275 A1	12/2014	Hung	
2017/0119212 A1	5/2017	Petrillo et al.	

FOREIGN PATENT DOCUMENTS

JP	1530358	8/2015
KR	300303813.0000	8/2002
KR	300751936.0000	7/2014
KR	300764889.0000	10/2014
WO	D088688-002	1/2016

OTHER PUBLICATIONS

Amazon. Yeti Rambler Bottle Replacement Cap. Mar. 23, 2017 [earliest online date], [site visited Apr. 7, 2017]. Available from Internet, <URL:https://www.amazon.com/YETI-Rambler-Bottle-Replacement-Cap/dp/B01MZ6QIMY>.*
 Outdoor Pro Shop. Yeti Rambler Bottles. May 27, 2016 [earliest online date], [site visited Apr. 7, 2017]. Available from Internet, <URL:https://www.outdoorproshop.com/Yeti-Rambler-Bottles-p/yeti-yrambtl.htmOu>.*

YETI 36 oz. Rambler: Announced Jan. 11, 2016 [online], site visited [May 10, 2016]. Available from Internet URL: <http://yeticoolers.com/rambler-bottle-36-oz/>.
 KOLD Vacuum Insulated Stainless Steel Sports Bottle: Announced Dec. 8, 2015 [online], site visited [May 11, 2016]. Available from Internet URL: <http://www.amazon.com/KOLD-Sports-Water-Bottles-Insulated/dp/B018YH K79E/ref=cm>.
 United States District Court Western District of Texas Austin Division, “Complaint for Damages and Injunctive Relief,” *YETI Coolers, LLCv. RTIC Coolers, LLC, RTIC Drinkware, LLC, and RTIC Web Services, LLC*, Case: 1:16-cv-00985, Document #1, filed Aug. 18, 2016, 27 pages.
 United States District Court Western District of Texas Austin Division, “Defendants’ Motion to Dismiss Pursuant to Rule 12(b)(6),” *YETI Coolers, LLCv. RTIC Coolers, LLC, RTIC Drinkware, LLC, and RTIC Web Services, LLC*, Case: 1:16-cv-00985, Document #9, filed Sep. 23, 2016, 27 pages.
 English translation of Office Action dated Nov. 1, 2016 for JP Application No. 2016-9605, 2 pages.
 English translation of Office Action dated Nov. 1, 2016 for JP Application No. 2016-9606, 2 pages.
 English translation of Office Action dated Oct. 4, 2016 for JP Application No. 2016-9607, 2 pages.
 English translation of Office Action dated Oct. 4, 2016 for JP Application No. 2016-9608, 2 pages.
 United States District Court Western District of Texas Austin Division, “Plaintiff YETI Coolers, LLC’s Original Complaint,” *YETI Coolers, LLCv. Ontel Products Corporation and World Pack USA, LLC*, Case: 1:17-cv-00091-RP, Document #1, filed Feb. 8, 2017, 65 pages.
 United States District Court Western District of Texas Austin Division, “Defendants’ Answers and Defenses to Plaintiff’s Original Complaint,” *YETI Coolers, LLCv. Ontel Products Corporation and World Pack USA, LLC*, Case: 1:17-cv-00091-RP, Document #14, filed Feb. 21, 2017, 45 pages.
 “Review: Yeti Heavy-Duty Rambler Bottles”. Found online Jun. 12, 2017 at gearjunkie.com. Page dated Apr. 1, 2016. Retrieved from <<https://gearjunkie.com/yeti-rambler-water-bottle-review>>.
 “ETS Express: New Items in Stock”. Found online Jun. 12, 2017 at twitter.com. Page dated Jan. 21, 2015. Retrieved from <<https://twitter.com/etsexpress/status/557997114589196288>>.
 “Klean Kanteen Wide Mouth Water Bottle with Loop Cap”. Found online Oct. 12, 2016 at amazon.com. Page dated Dec. 5, 2009. Retrieved from <https://www.amazon.com/Klean-Kanteen-Mouth-Water-Bottle/dp/B002VIZ61U/ref=cm_cr_ar_p_d_product_top?ie=UTF8>.
 “Sketch-a-Day: Water Bottles”. Found online Jun. 21, 2017 at sketch-a-day.com. Page dated Mar. 4, 2010. Retrieved from <<http://www.sketch-a-day.com/posts/sketch-a-day-95-water-bottles/>>.
 United States District Court Western District of Texas Austin Division, “Plaintiffs’ Complaint for Damages and Injunctive Relief,” *YETI Coolers, LLCv. Houssam Rabi d/b/a Hoo-Sizzy*, Case 1:17-cv-00418, Document 1, filed May 5, 2017, 37 pages.
 United States District Court Western District of Texas Austin Division, “Plaintiffs’ Complaint for Damages and Injunctive Relief,” *YETI Coolers, LLCv. Seth Stevens d/b/a SDS Marketing d/b/a Eskimo Coolers, Panther Group LLC d/b/a Eskimo Coolers, Panther Group Sales, LLC d/b/a Eskimo Coolers, and Silver Fox Sales, LLC*, Case 1:17-cv-00423, Document 1, filed May 5, 2017, 77 pages.
 “Bubba Brands Classic Insulated Travel Mug”. Found online Mar. 9, 2017 at amazon.com. Page dated Sep. 30, 2010. Retrieved from https://www.amazon.com/Bubba-Brands-1953403-Classic-Insulated/dp/B01FB7IG8Y/ref=cm_cr_ar_p_d_product_top?ie=UTF8.
 “Bubba HERO Bottle Replacement Lid”. Found online Mar. 9, 2017 at amazon.com. Page dated Jan. 14, 2015. Retrieved from https://www.amazon.com/bubba-HERO-bottle-replacement-lid/dp/B00QQYDI44/ref=cm_cr_ar_p_d_product_top?ie=UTF8.
 “Contigo Extreme Stainless Steel Travel Mug”. Found online Mar. 9, 2017 at amazon.com. Page dated Sep. 13, 2016. Retrieved from https://www.amazon.com/Contigo-Extreme-Stainless-Insulated-Limited/dp/B01LZGBMKT/ref=pd_sim_79_3?_encoding=UTF8&psc=&refRID=A4VHP8EG6AKH3BG73BMZ.

(56)

References Cited

OTHER PUBLICATIONS

“Hydro Flask Wide Mouth Hydro Flip Lid”. Found online Mar. 9, 2017 at amazon.com. Page dated Oct. 9, 2012. Retrieved from http://www.amazon.com/Hydro-Flask-Wide-Mouth-Black/dp/B01GW2H430/ref=cm_cr_arp_d_product_top?ie=UTF8.

Hydro Flask. Hydro Flip. 2015 [earliest online date], [site visited Apr. 28, 2017]. Available from Internet, <URL:<https://www.hydroflask.com/hydro-flip#92=57>>.

Jane. Spill Resistant Flip Lid and Yeti Accessories. Dec. 5, 2016 [earliest online date], [site visited Apr. 28, 2017]. Available from Internet, <URL:<https://jane.com/deal/263319/spill-resistant-flip-lid-and-yeti-accessories-30oz-many-colors>>.

United States District Court Western District of Texas Austin Division, “Second Amended Complaint,” *YETI Coolers, LLC v. Sam’s West, Inc., and Sam’s East, Inc., and CY Top, Ltd.*, Case: 1:16-cv-00829-RP, Document #51, filed Sep. 22, 2017, 49 pages.

United States District Court Western District of Texas Austin Division, “Complaint,” *YETI Coolers, LLC v. Costco Wholesale Corporation*, Case: 1:17-cv-07025, Document #1, filed Sep. 28, 2017, 99 pages.

United States District Court Western District of Texas Austin Division, “Complaint,” *YETI Coolers, LLC v. Alibaba Group Holding Limited, Alibaba (China) Technology Co., Ltd., Alibaba.com*

Hong Kong Limited, Alibaba.com Singapore E-Commerce Private Limited, Hangzhou Alibaba Advertising Co. Ltd., and Huizhou Dashu Trading Co., Ltd., Case: 1:17-cv-00936, Document #1, filed Sep. 28, 2017, 272 pages.

United States District Court Western District of Texas Austin Division, “Complaint,” *YETI Coolers, LLC v. ContextLogic, Inc. d/b/a Wish.com*, Case: 1:17-cv-00937, Document #1, filed Sep. 28, 2017, 238 pages.

United States District Court Western District of Texas Austin Division, “Complaint,” *YETI Coolers, LLC v. Dunhuang Group, SZ Flowerfairy Technology Co., Ltd., Tan Er Pa Technology Co., Ltd., Shenzhen Great Electronic Technology Co., Ltd., and Huagong Trading Co.*, Case: 1:17-cv-00938, Document #1, filed Sep. 28, 2017, 272 pages.

United-States International Trade Commission of Washington, DC, “Complaint-Under Section 337 of the Tariff Act of 1930, as Amended,” *YETI Coolers, LLC vs. Alibaba (China) Technology Co., Ltd., Alibaba Group Holding Limited, Alibaba.com Hong Kong Limited, Alibaba.com Singapore E-Commerce Private Limited, Bonanza.com, Inc., ContextLogic, Inc. d/b/a Wish, Dunhuang Group, Hangzhou Alibaba Advertising Co. Ltd., Huizhou Dashu Trading Co., Ltd., Huagong Trading Co., and Tan Er Pa Technology Co., Ltd.*, Case: 337-TA-3261, filed Sep. 28, 2017, 191 pages.

* cited by examiner

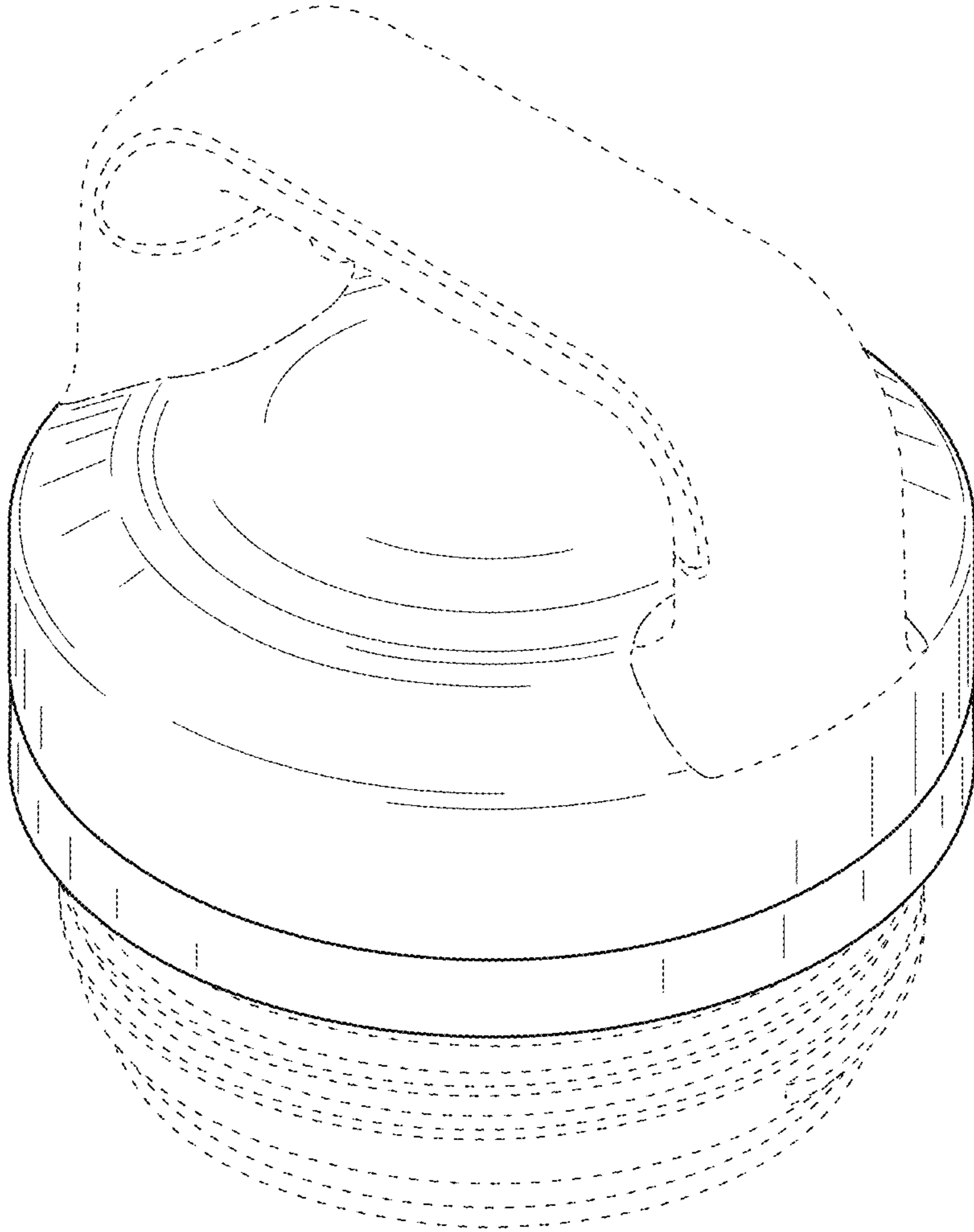


FIG. 1

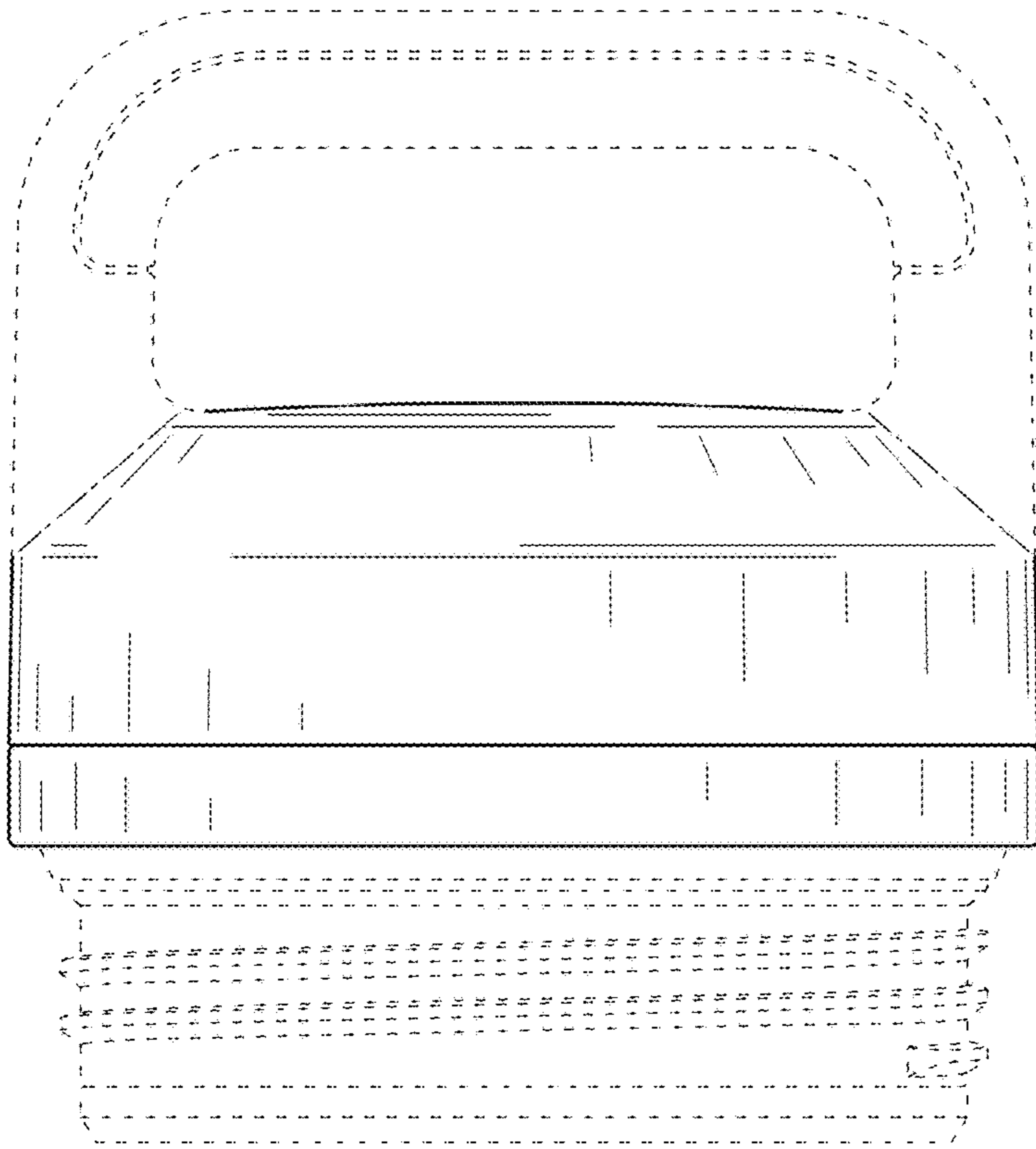


FIG. 2

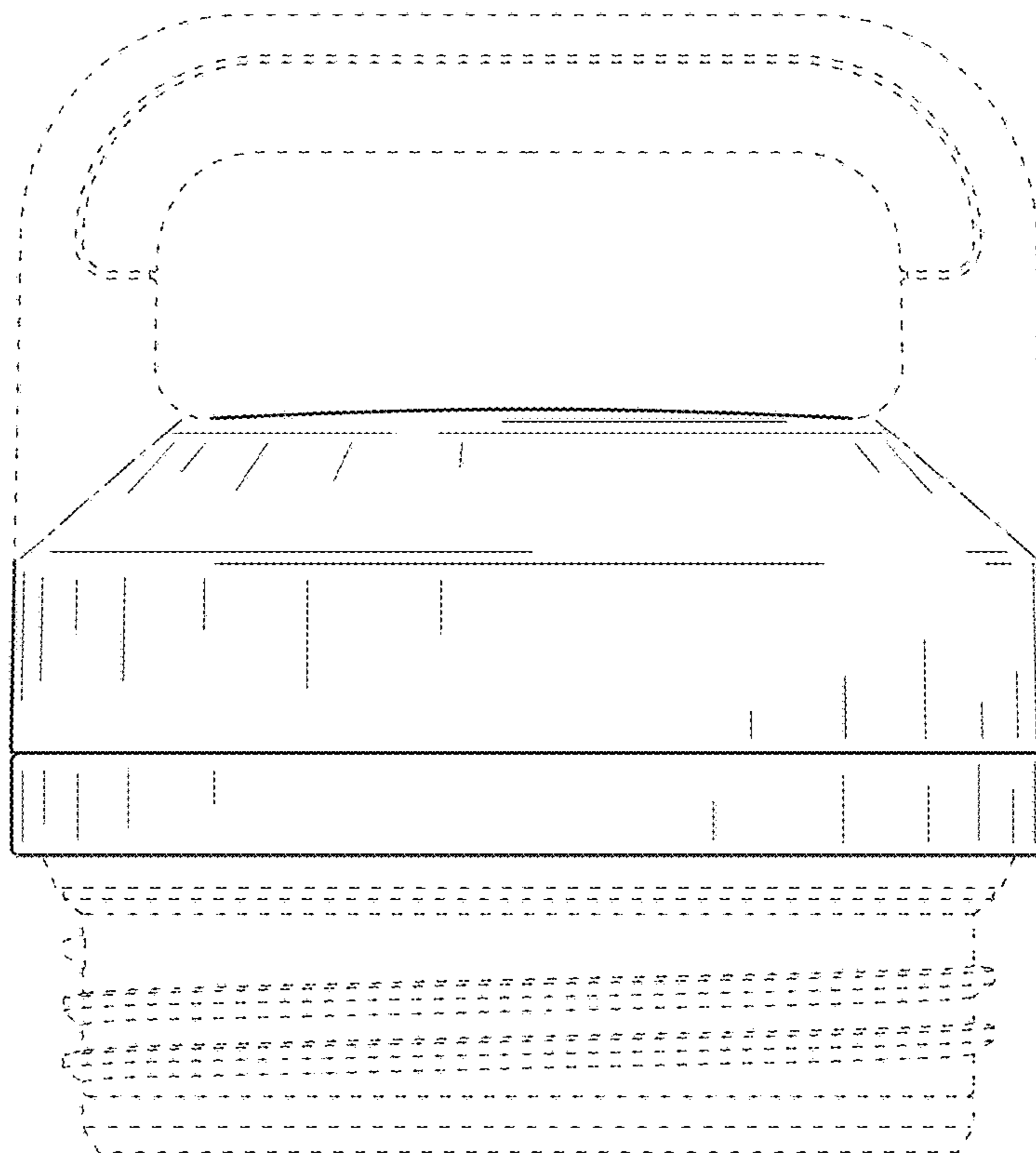


FIG. 3

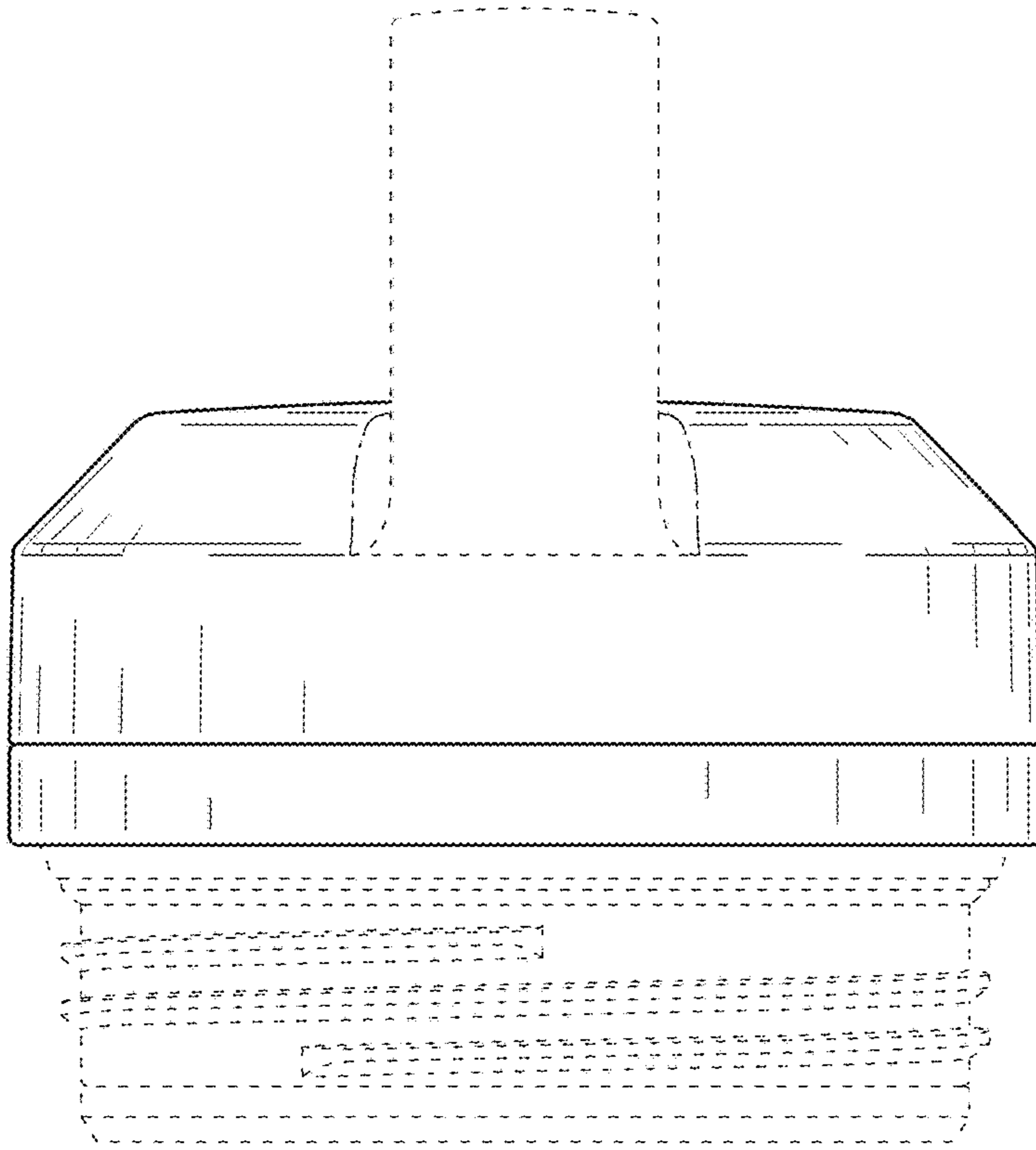


FIG. 4

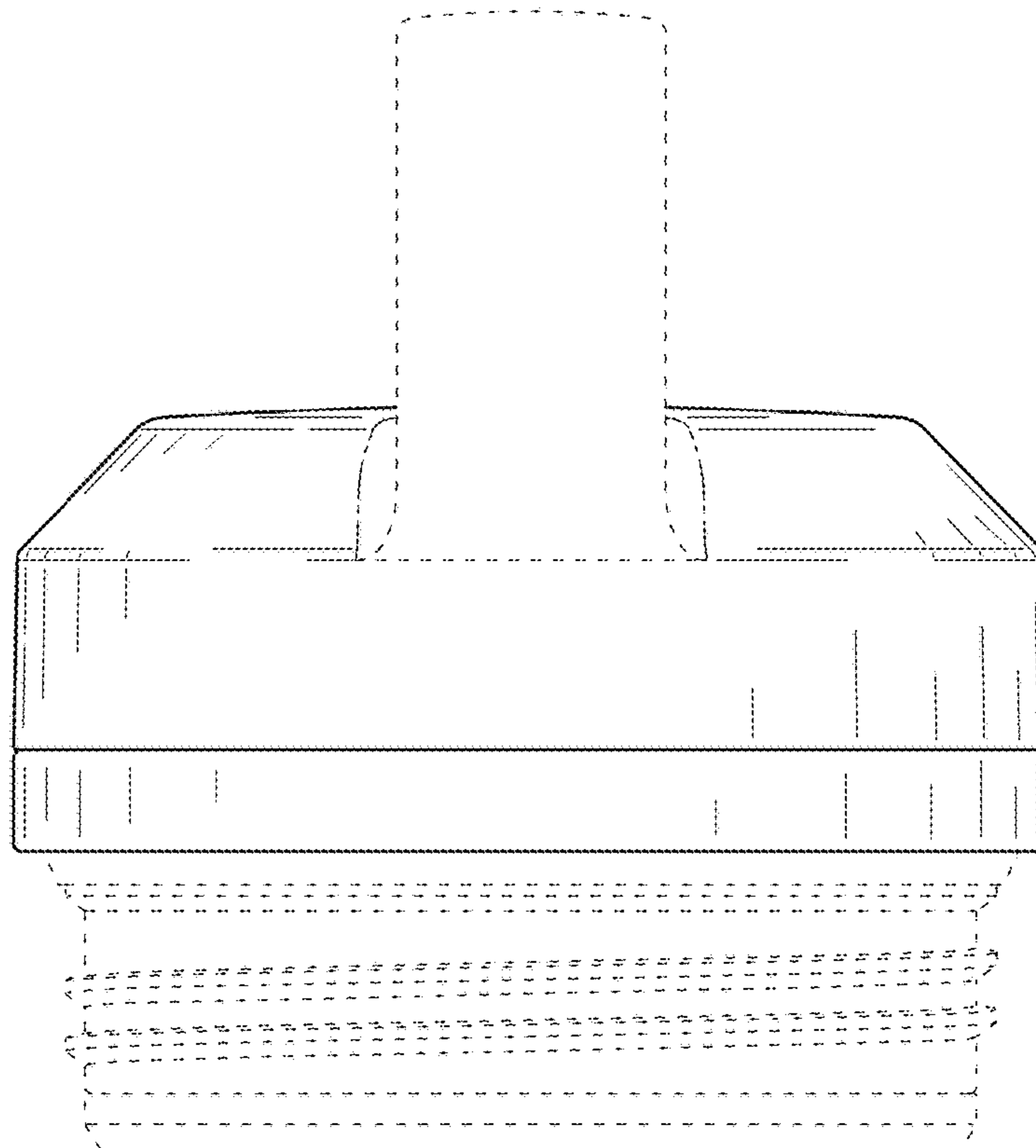


FIG. 5

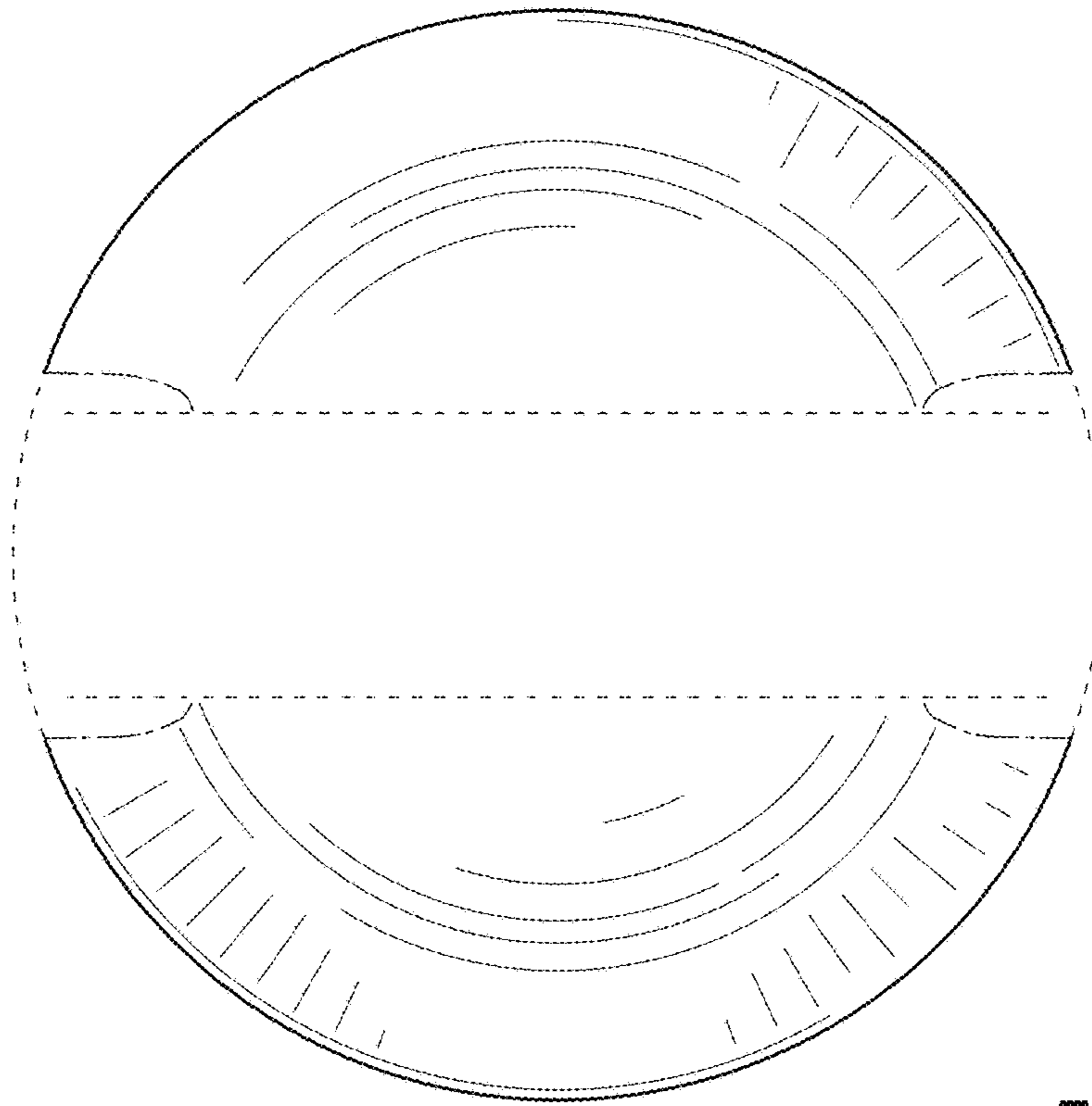


FIG. 6

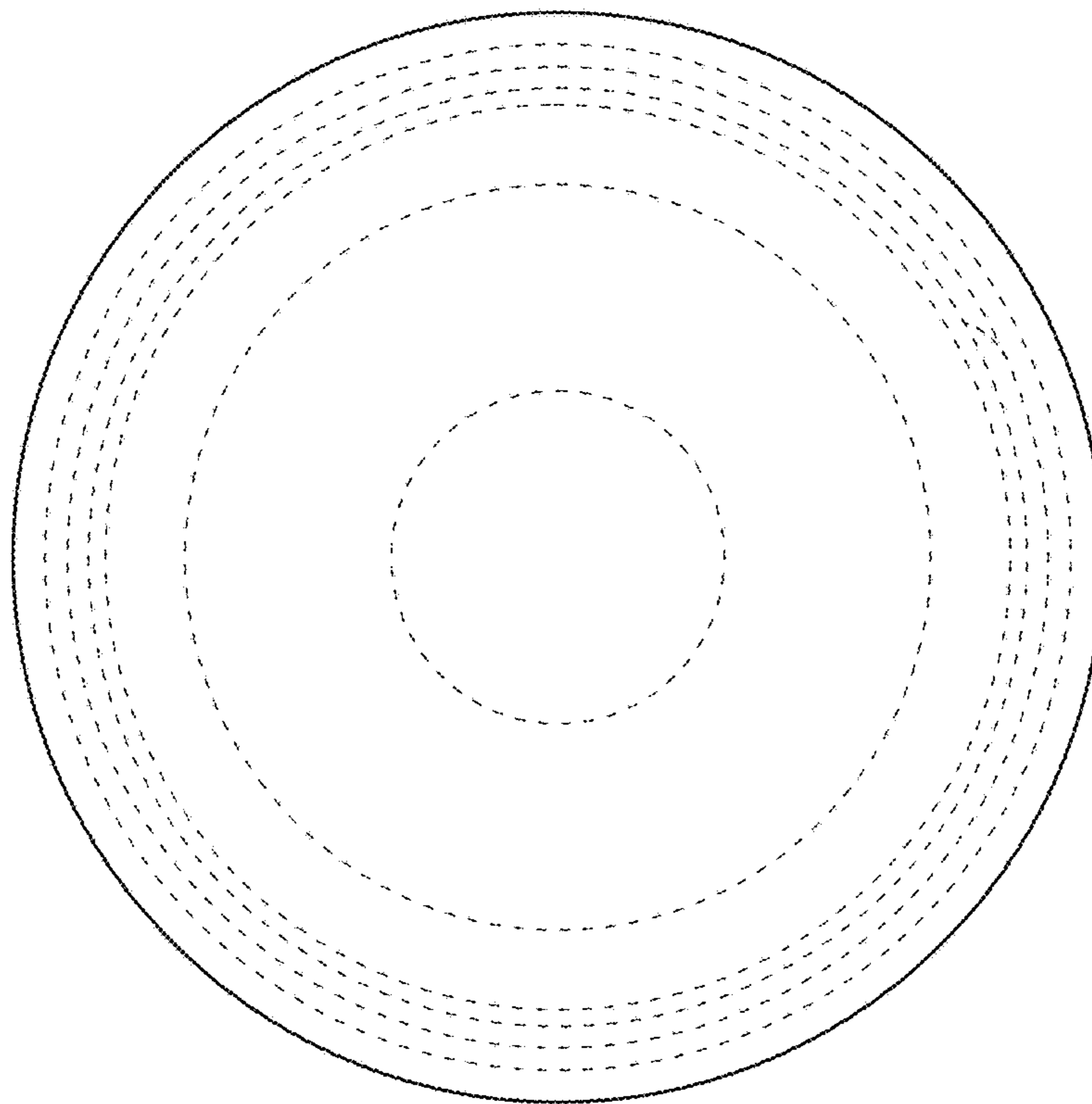


FIG. 7

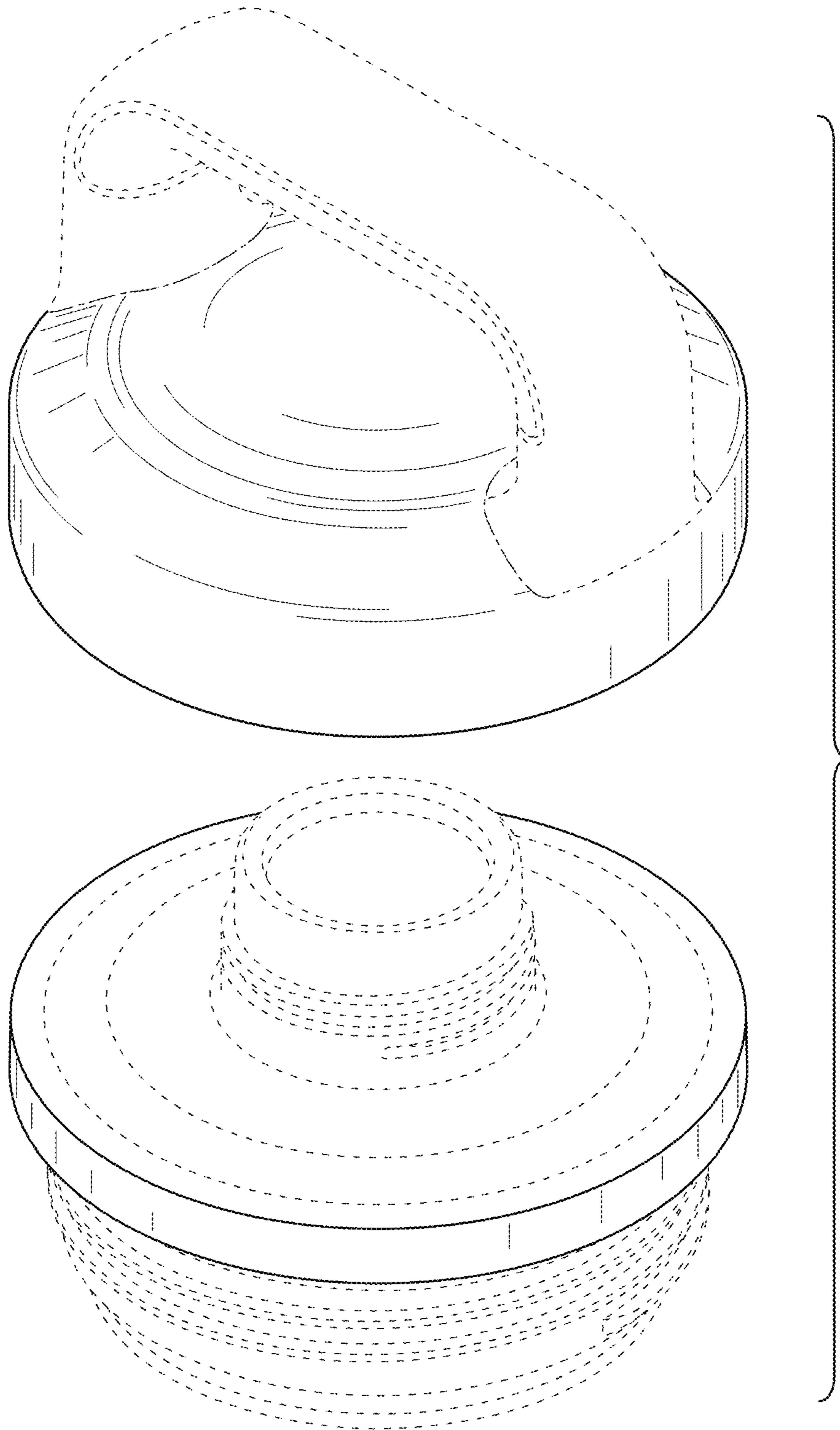


FIG. 8

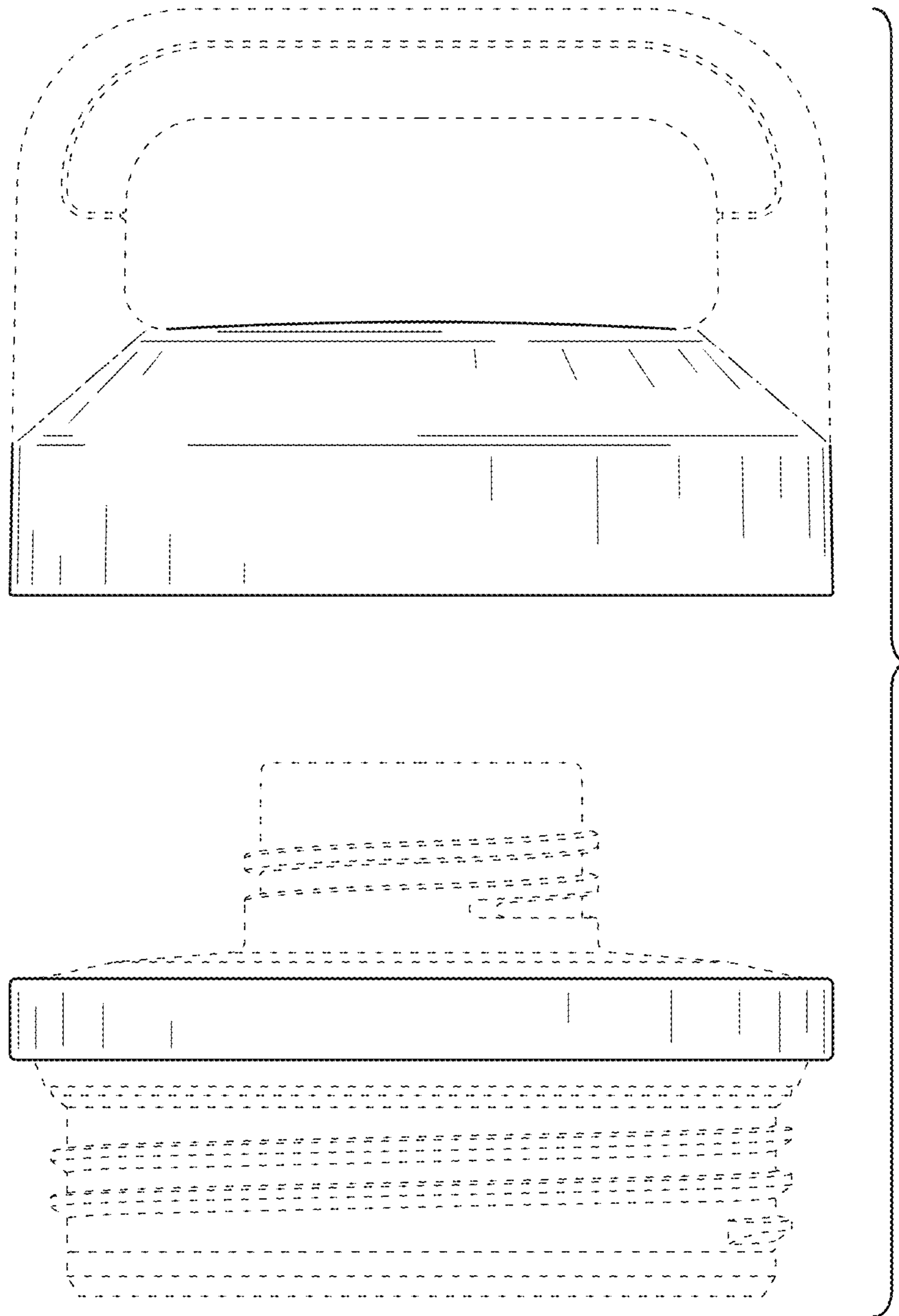


FIG. 9

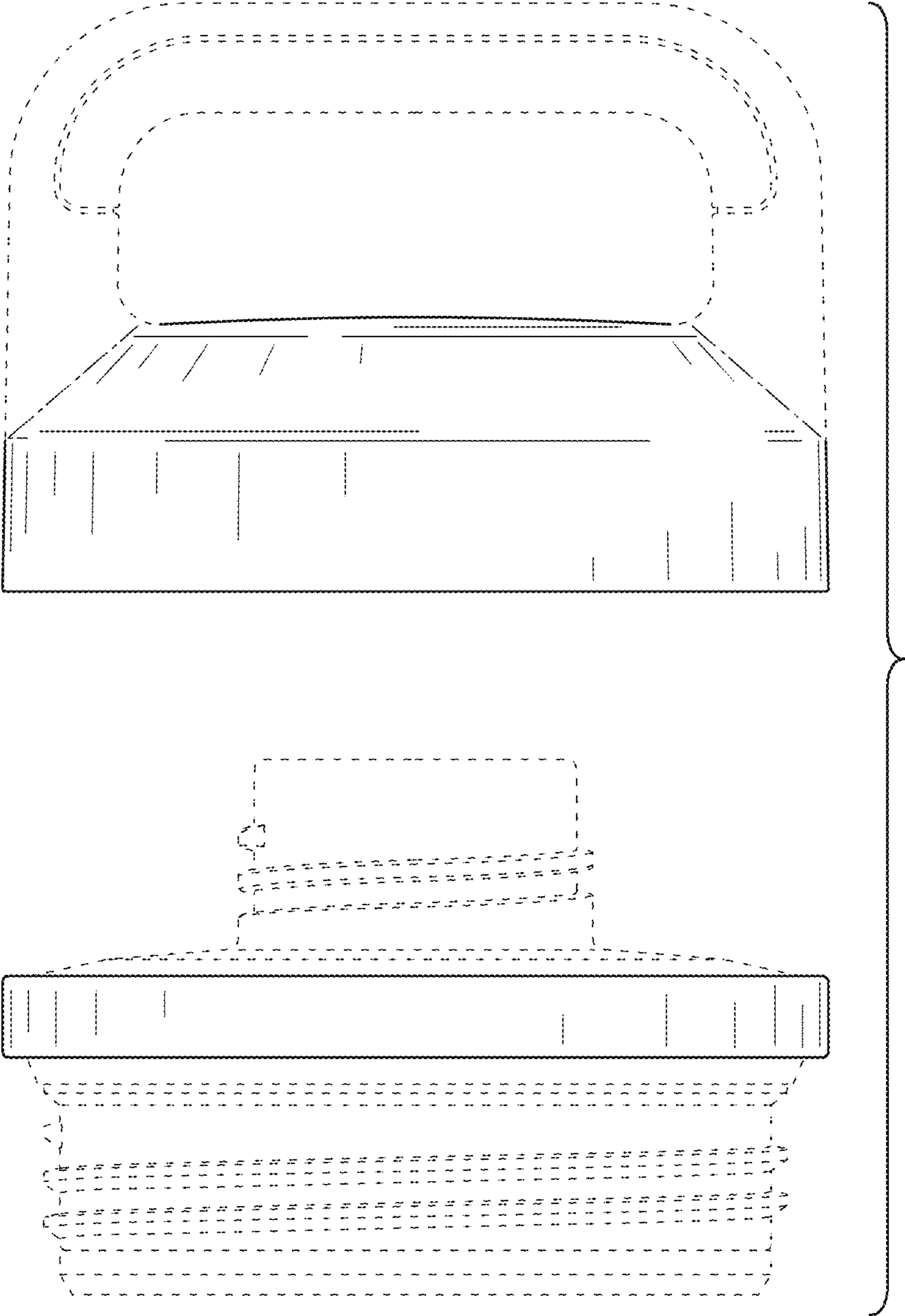


FIG. 10

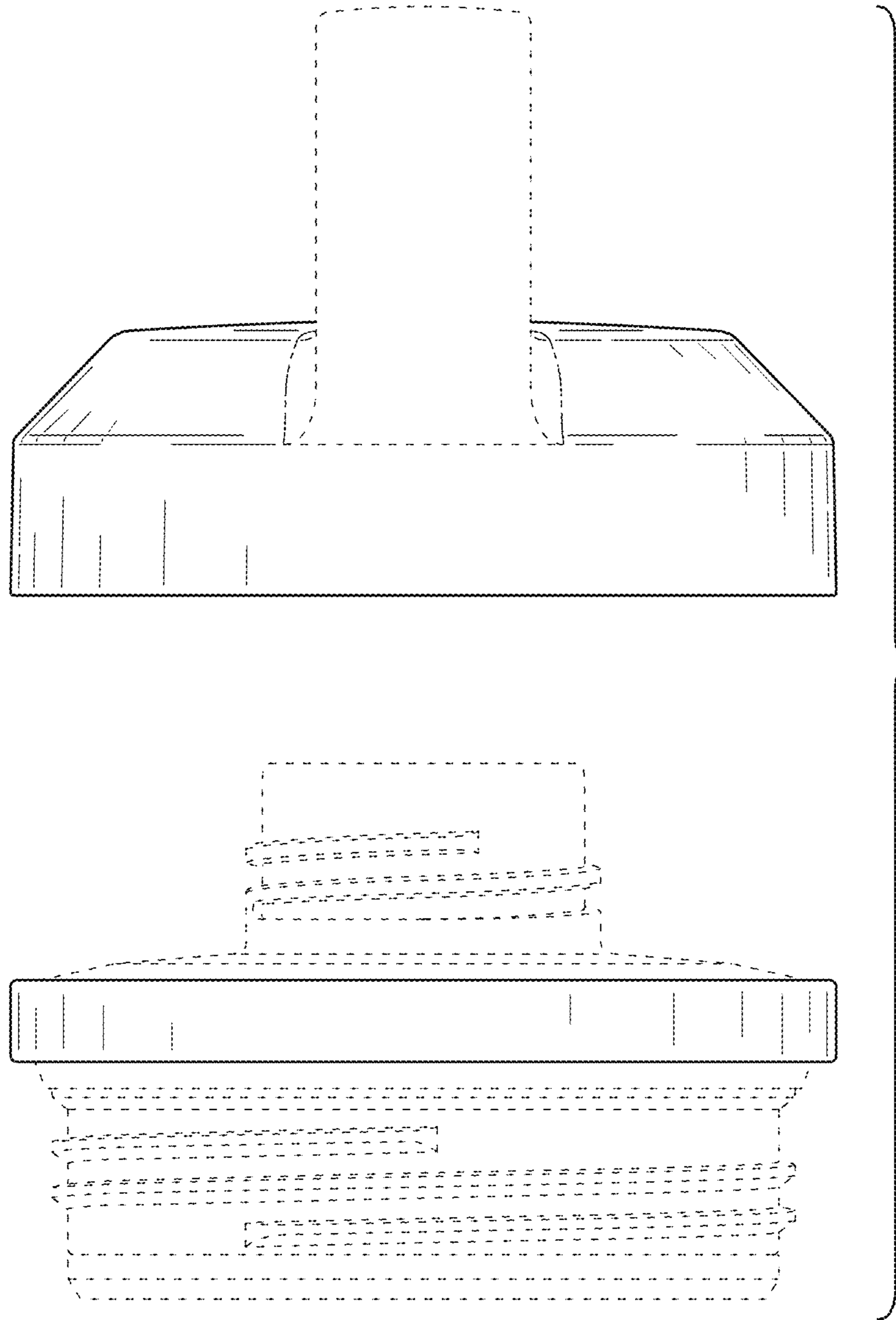


FIG. 11

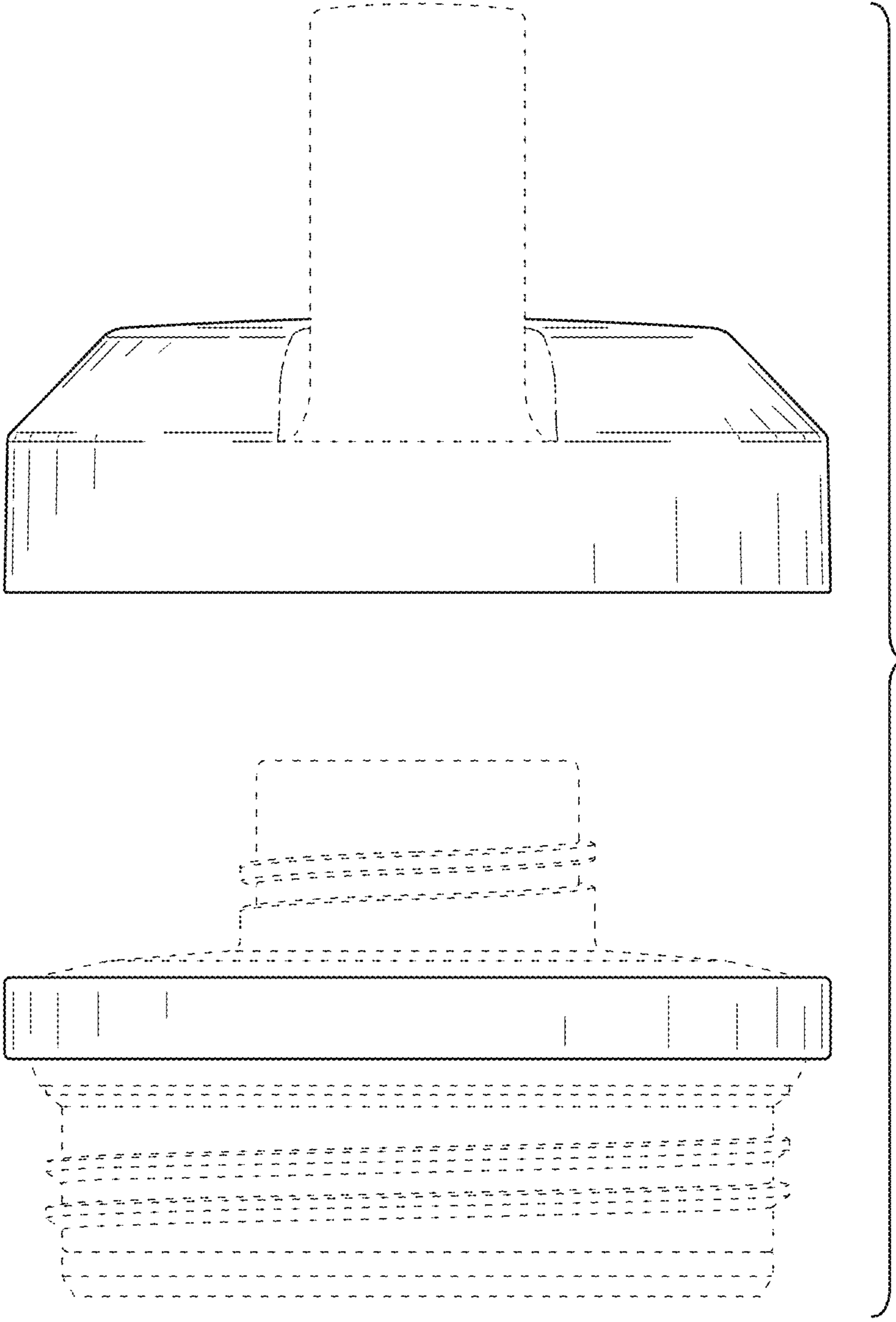


FIG. 12

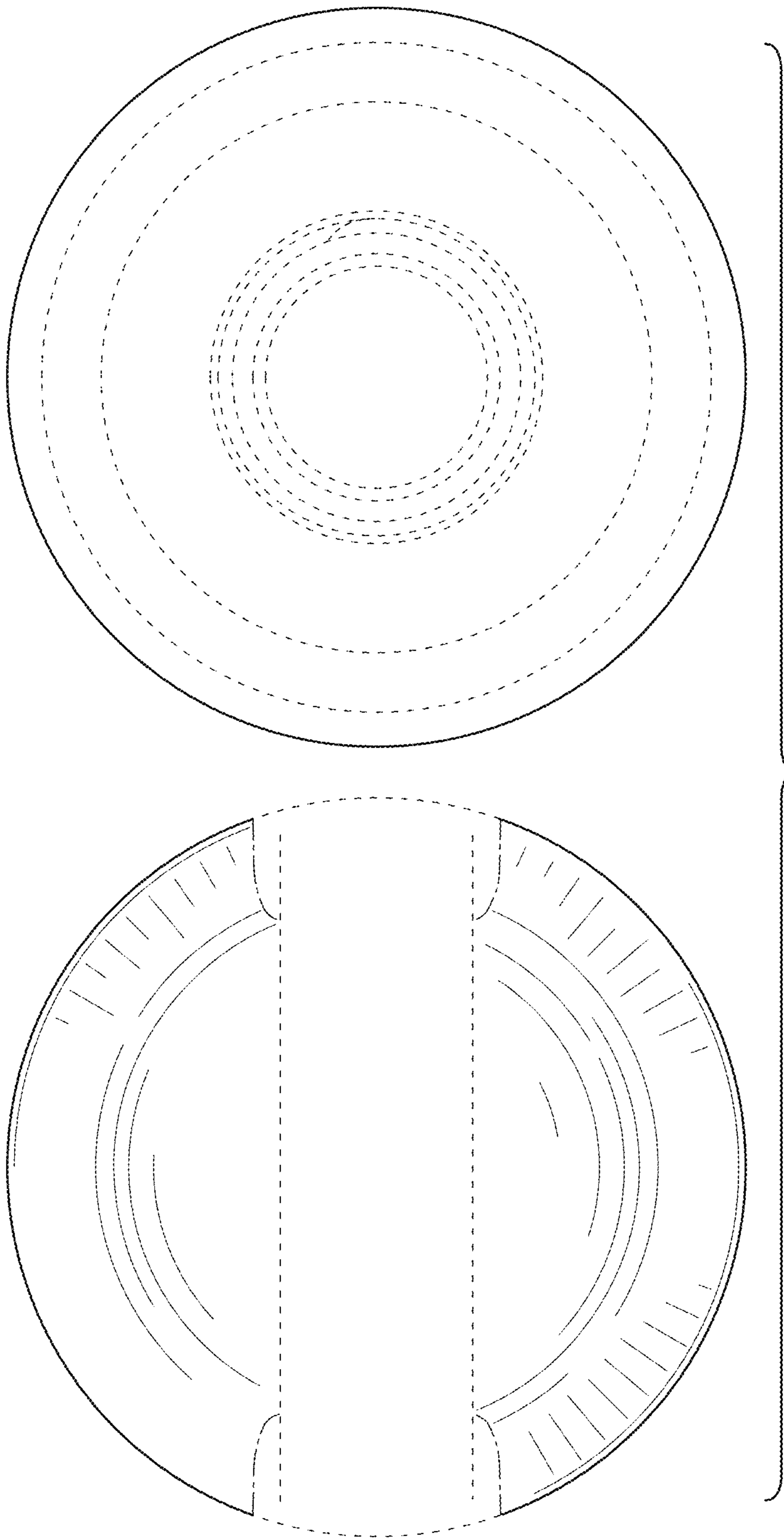


FIG. 13

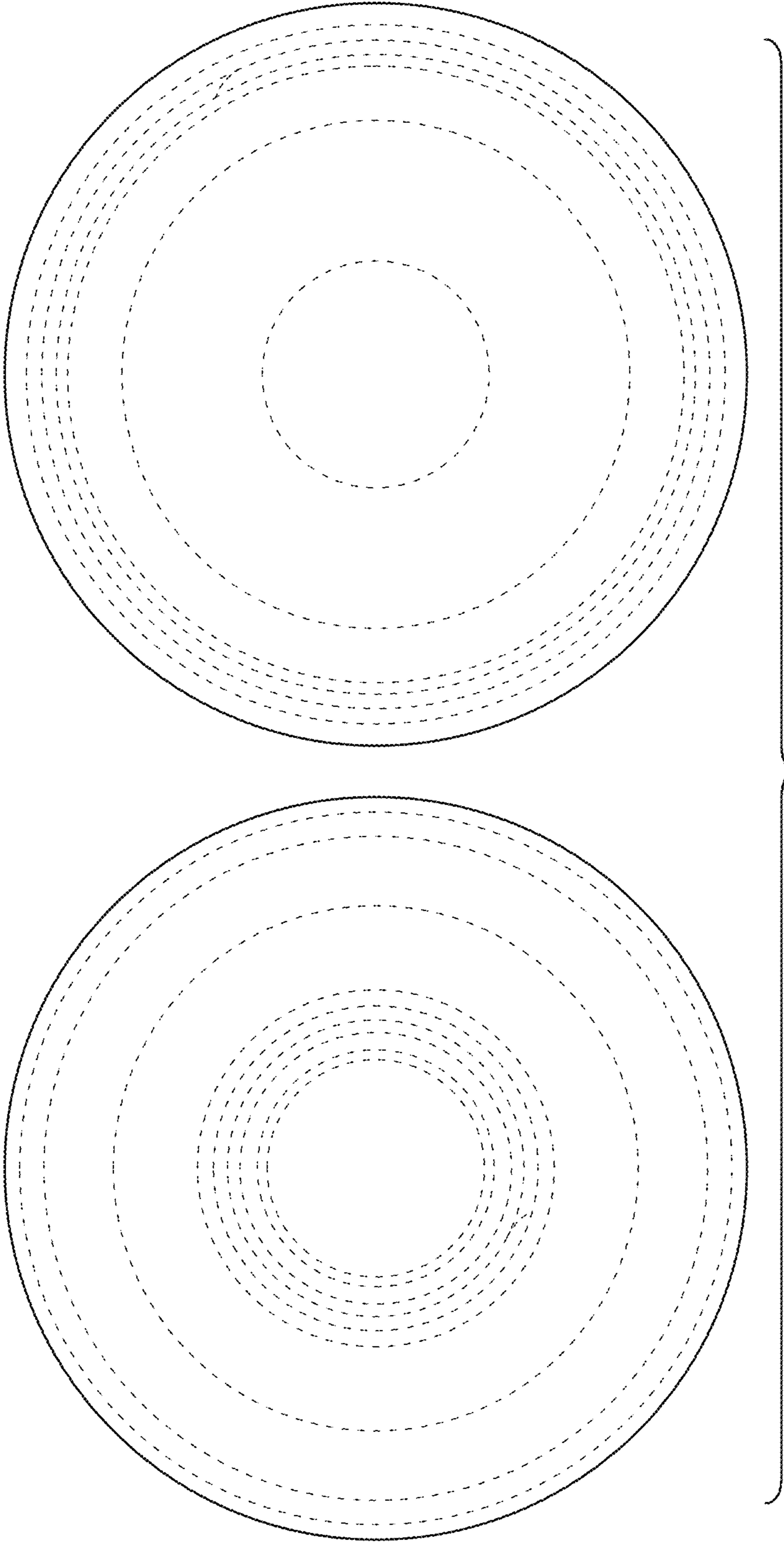


FIG. 14