



US00D817169S

(12) **United States Design Patent** (10) **Patent No.:** **US D817,169 S**  
**Dzikowicz et al.** (45) **Date of Patent:** **\*\* May 8, 2018**

(54) **COMBINED CAP AND ADAPTER FOR CONSUMABLE PRODUCT PACKAGE**

(71) Applicant: **Societe des Produits Nestlé S.A.**, Vevey (CH)

(72) Inventors: **Anthony Edward Dzikowicz**, Grand Haven, MI (US); **Matthew Blake Rodgers**, Grand Haven, MI (US); **John Joseph Wolf**, Norton Shores, MI (US); **Joel Dean Genaw, Jr.**, Grand Rapids, MI (US)

(73) Assignee: **Société des Produits Nestlé S.A.**, Vevey (CH)

(\*\*) Term: **15 Years**

(21) Appl. No.: **29/546,575**

(22) Filed: **Nov. 24, 2015**

(51) **LOC (11) Cl.** ..... **09-07**

(52) **U.S. Cl.**  
USPC ..... **D9/449**; D9/453

(58) **Field of Classification Search**  
USPC ..... D3/318; D7/396.2, 398; D9/434, 435, D9/436, 438, 440, 443, 444, 445, 447, D9/449, 452, 453, 454, 499  
CPC ..... B65D 41/34; B65D 41/3438; B65D 41/0471; B65D 47/122

See application file for complete search history.

(56) **References Cited**

**U.S. PATENT DOCUMENTS**

D19,835 S *	5/1890	Haiin	.....	D9/453
D28,636 S *	5/1898	Tappan	.....	D9/454
D476,565 S	7/2003	Rosen		
D489,978 S	5/2004	Brown		

(Continued)

**OTHER PUBLICATIONS**

Living Rich With Coupons. Gerber Organic Baby Food Pouches Just \$0.77 at Target! Published by Denise Uzunis on Sep. 11, 2014

[earliest online date], [site visited Dec. 6, 2016]. Available from Internet, <URL:http://www.livingrichwithcoupons.com/2014/09/gerber-organic-baby-food-pouches-just-0-77-target-done.html>.\*

*Primary Examiner* — Robert M. Spear

*Assistant Examiner* — Darcey E Heflin

(74) *Attorney, Agent, or Firm* — Finnegan, Henderson, Farabow, Garrett & Dunner LLP

(57) **CLAIM**

The ornamental design for a combined cap and adapter for consumable product package, as shown and described.

**DESCRIPTION**

FIG. 1 is a top right front perspective view of a combined cap and adapter for a consumable product package showing our new design, where the cap is optically transparent and the adapter is optically opaque;

FIG. 2 is a cross-sectional view along line 2-2 of FIG. 1;

FIG. 3 is a front elevation view thereof;

FIG. 4 is a rear elevation view thereof;

FIG. 5 is a left side view thereof;

FIG. 6 is a right side view thereof;

FIG. 7 is a top plan view thereof;

FIG. 8 is a bottom view thereof;

FIG. 9 is a top right front exploded view thereof;

FIG. 10 is a top right front perspective view of an adapter for a consumable product package showing our new design with the cap removed for clarity of disclosure;

FIG. 11 is a front elevation view thereof;

FIG. 12 is a rear elevation view thereof;

FIG. 13 is a left side view thereof; and

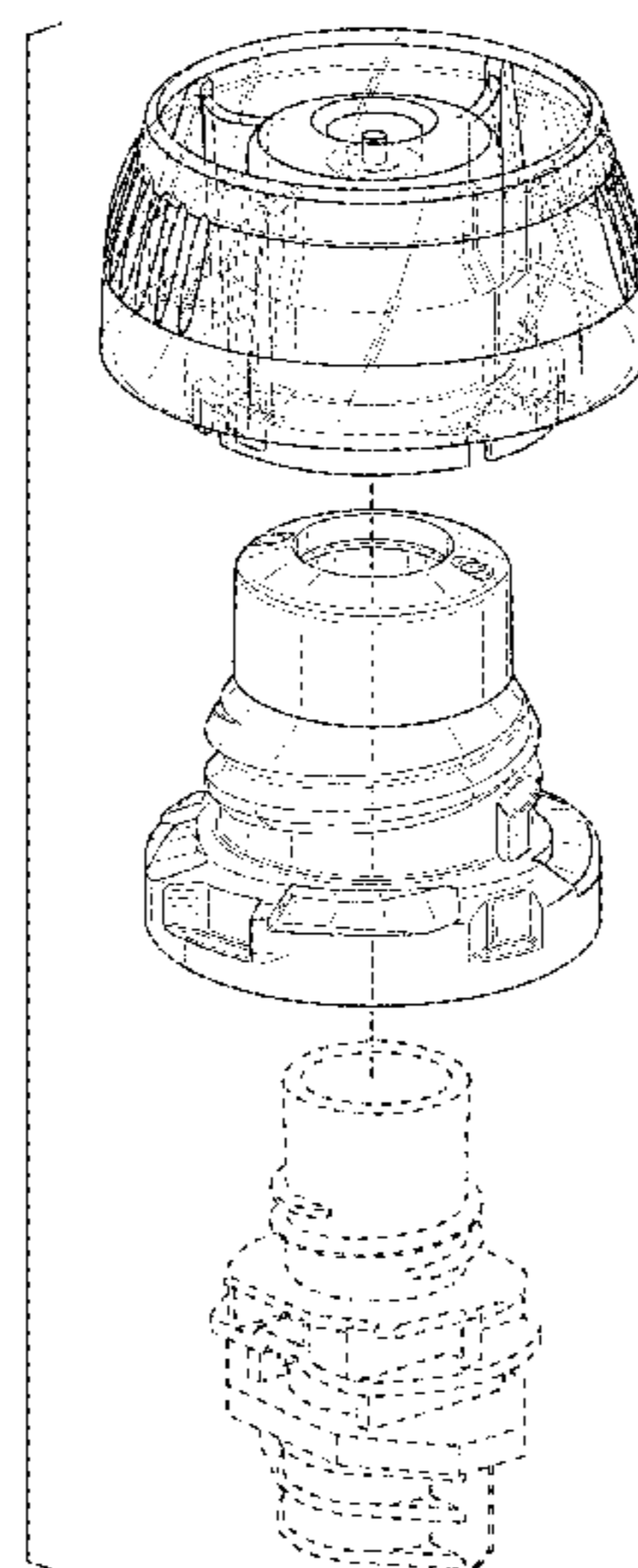
FIG. 14 is a right side view thereof.

FIG. 15 is a top plan view thereof; and

FIG. 16 is a bottom view thereof.

In the drawings, the evenly-spaced broken lines showing portions of an adapter depict environment and form no part of the claim.

**1 Claim, 16 Drawing Sheets**



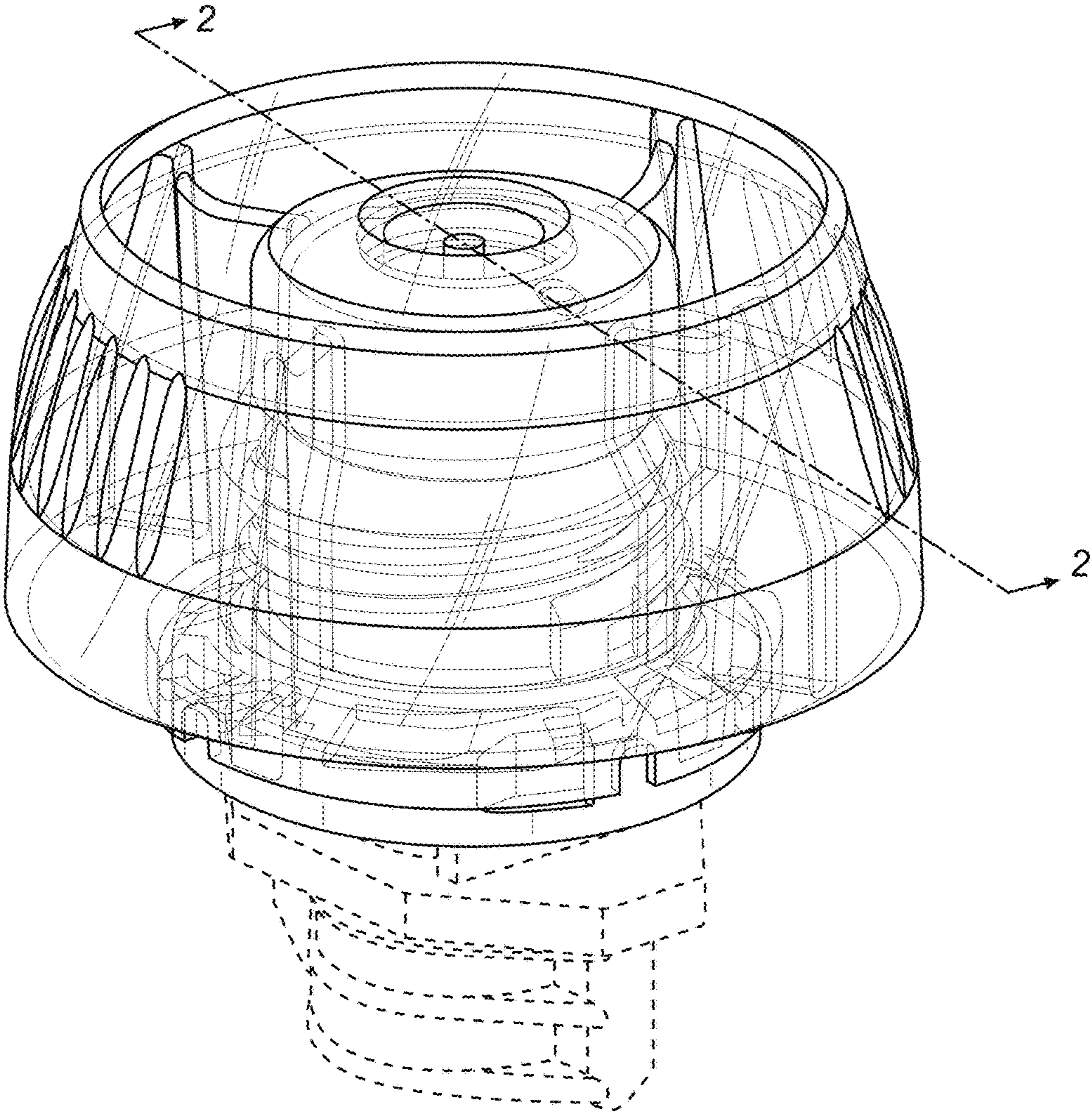
(56)

**References Cited**

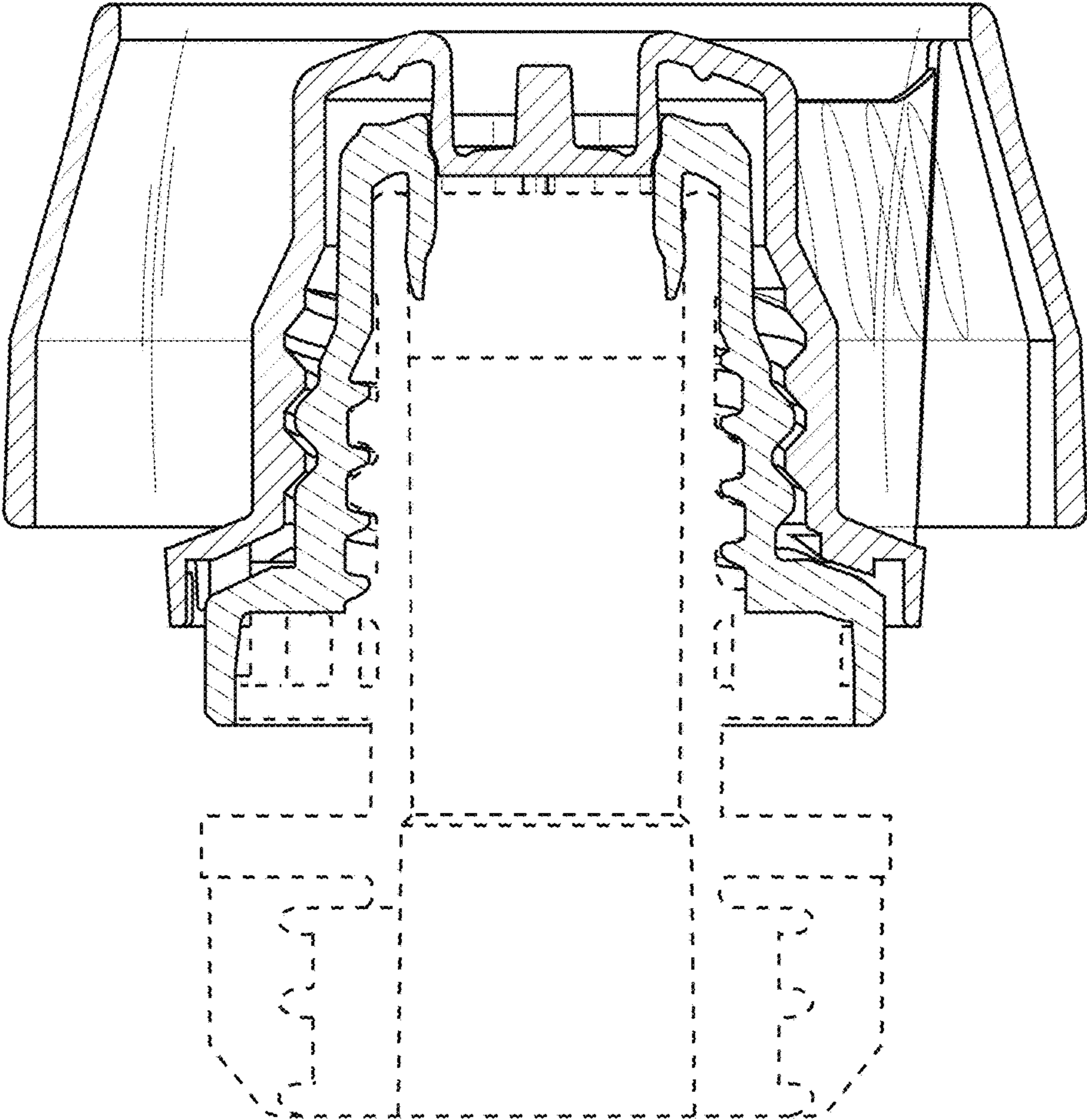
## U.S. PATENT DOCUMENTS

D547,657	S	7/2007	Tacchella	
D548,075	S *	8/2007	Mavin .....	D9/435
D548,081	S *	8/2007	Noonan .....	D9/453
D556,575	S *	12/2007	Nusbaum .....	D9/446
D578,000	S *	10/2008	Zoppas .....	D9/438
D610,456	S *	2/2010	Rognard .....	D9/438
D617,187	S	6/2010	Murray	
D661,185	S	6/2012	Battat	
D679,597	S *	4/2013	Tamarindo .....	D9/443
D682,688	S	5/2013	Murray	
D684,057	S	6/2013	Seok-Woong	
D684,058	S	6/2013	Kwon	
D686,495	S	7/2013	Murray	
D693,220	S	11/2013	Shize	
D693,682	S *	11/2013	Bahri .....	D9/453
D694,625	S *	12/2013	Maxwell .....	D9/454
D705,061	S	5/2014	Byung-Chul et al.	
D705,062	S	5/2014	Byung-Chul et al.	
D712,744	S	9/2014	Neputy et al.	
D715,644	S	10/2014	Drozd	
D717,650	S	11/2014	Tamarindo	
D751,397	S *	3/2016	Kim .....	D9/452
2015/0147430	A1	5/2015	Dzikowicz et al.	

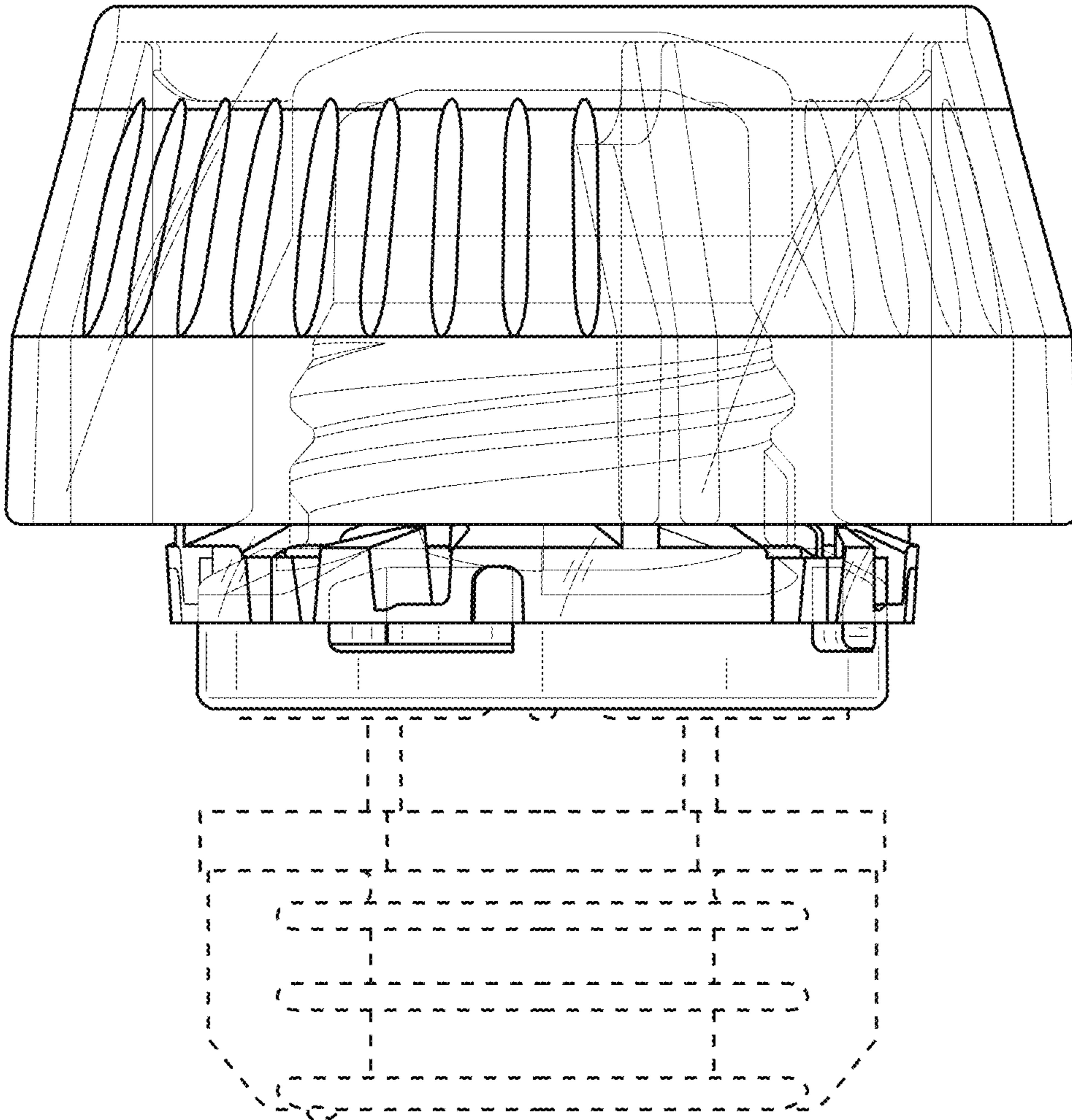
\* cited by examiner



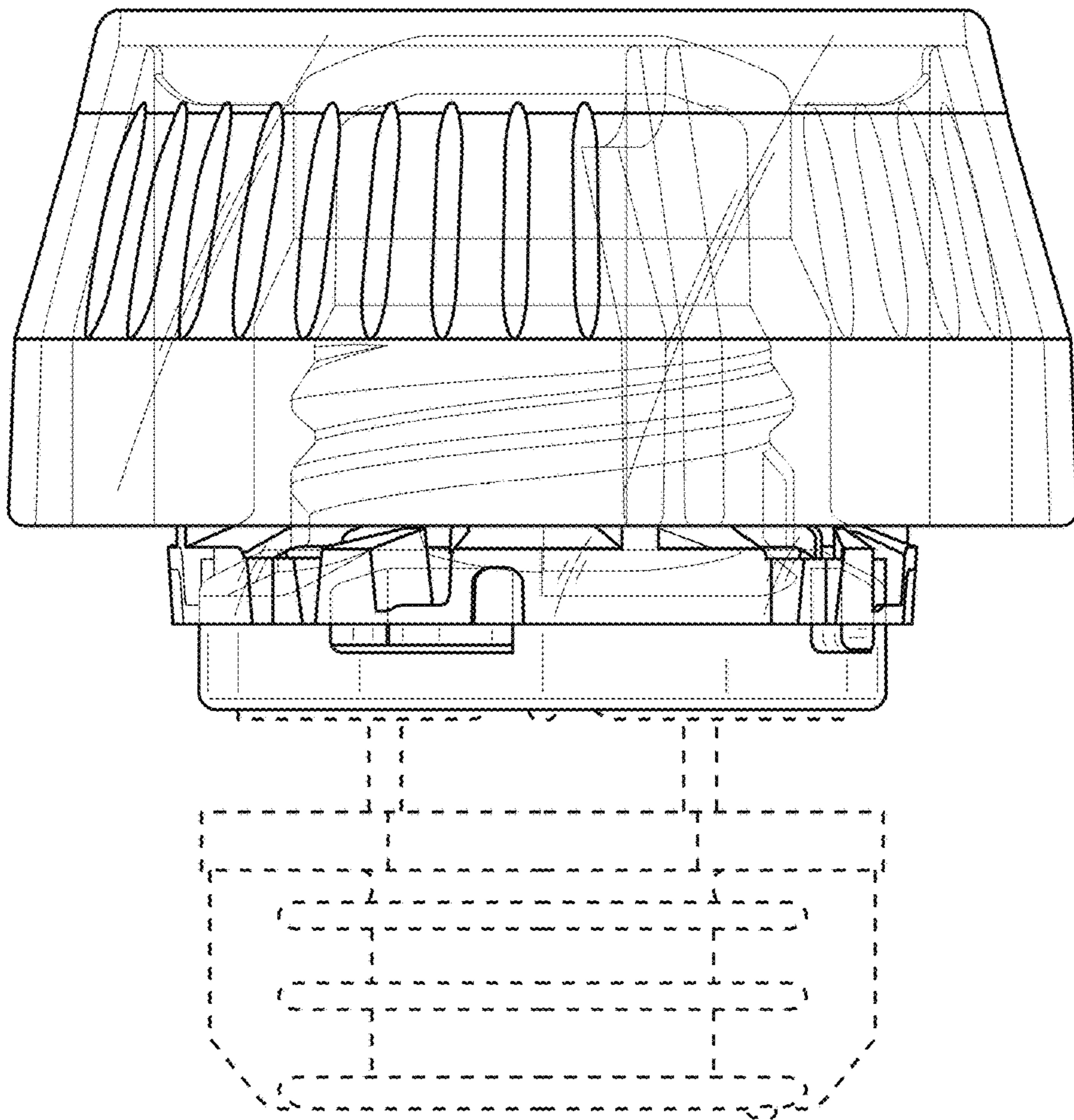
**FIG. 1**



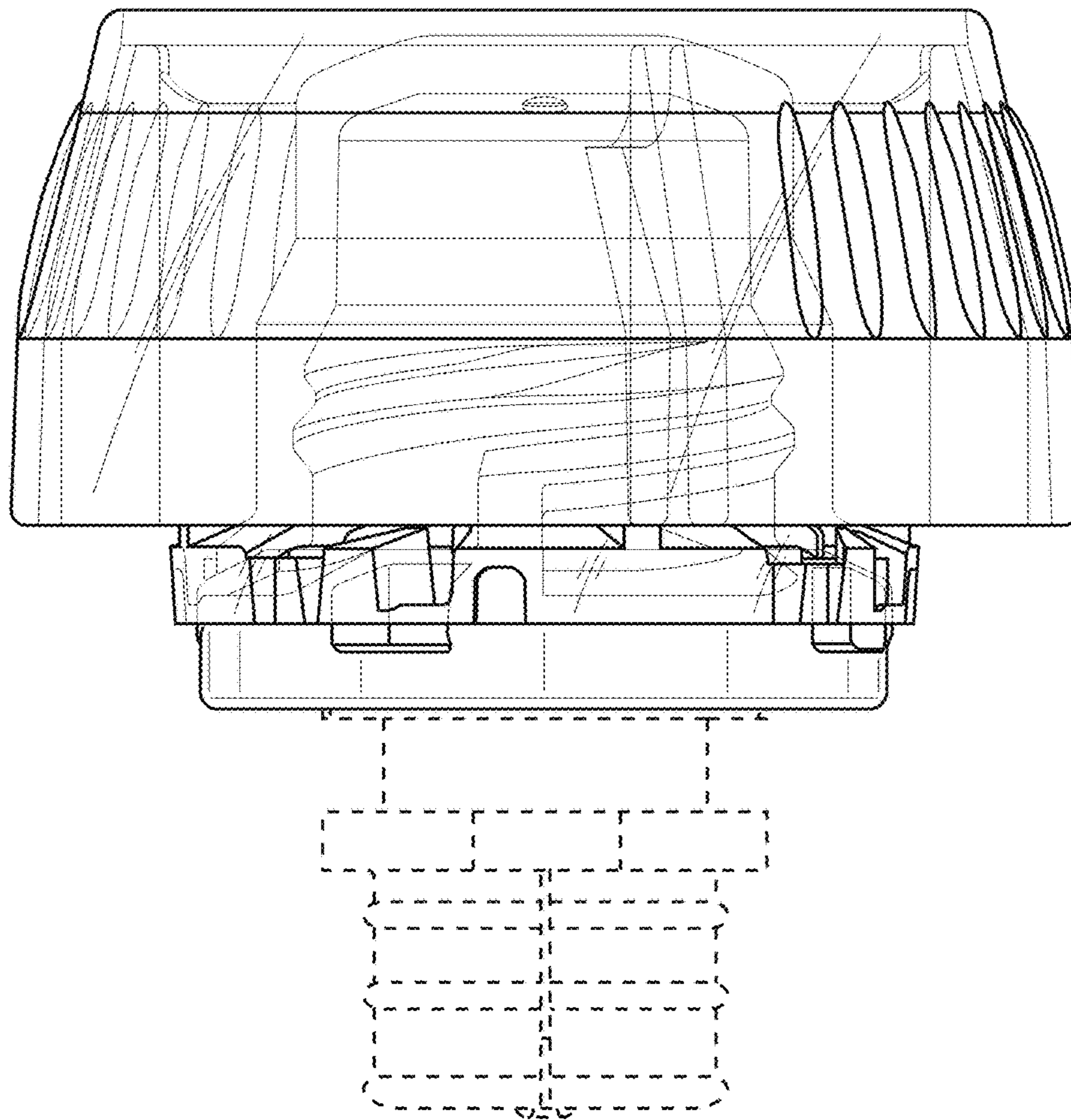
**FIG. 2**



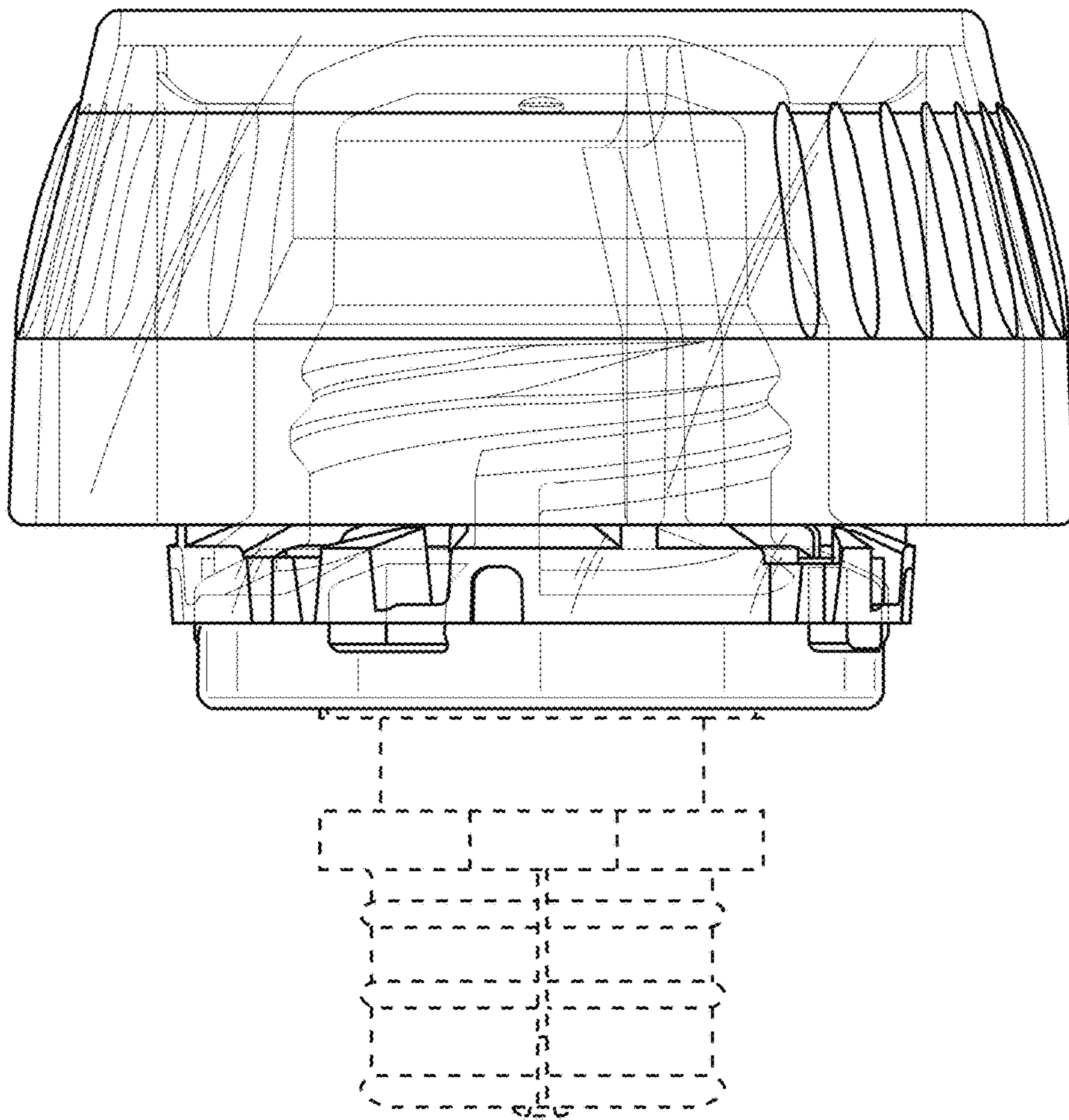
**FIG. 3**



**FIG. 4**

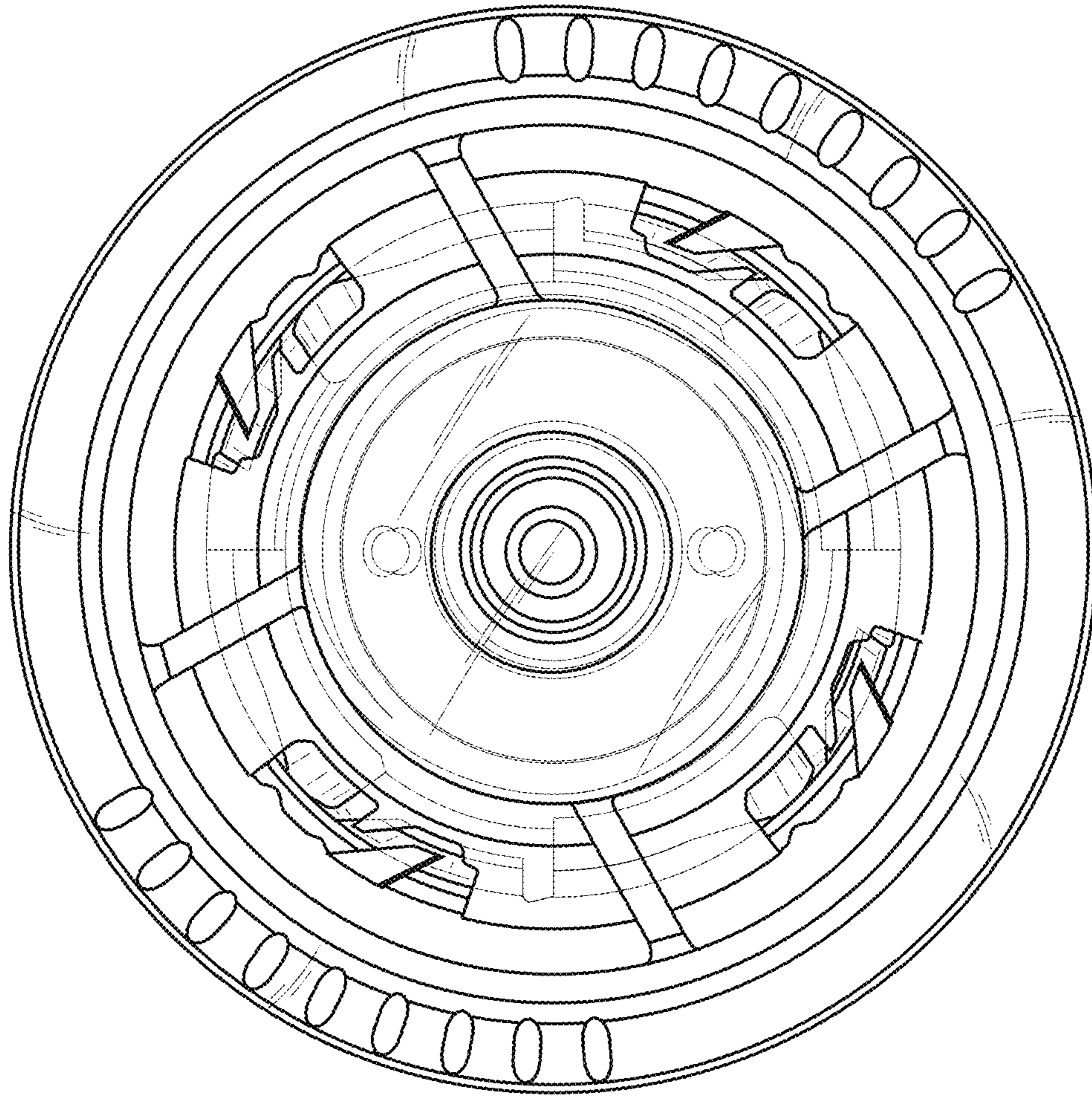


**FIG. 5**

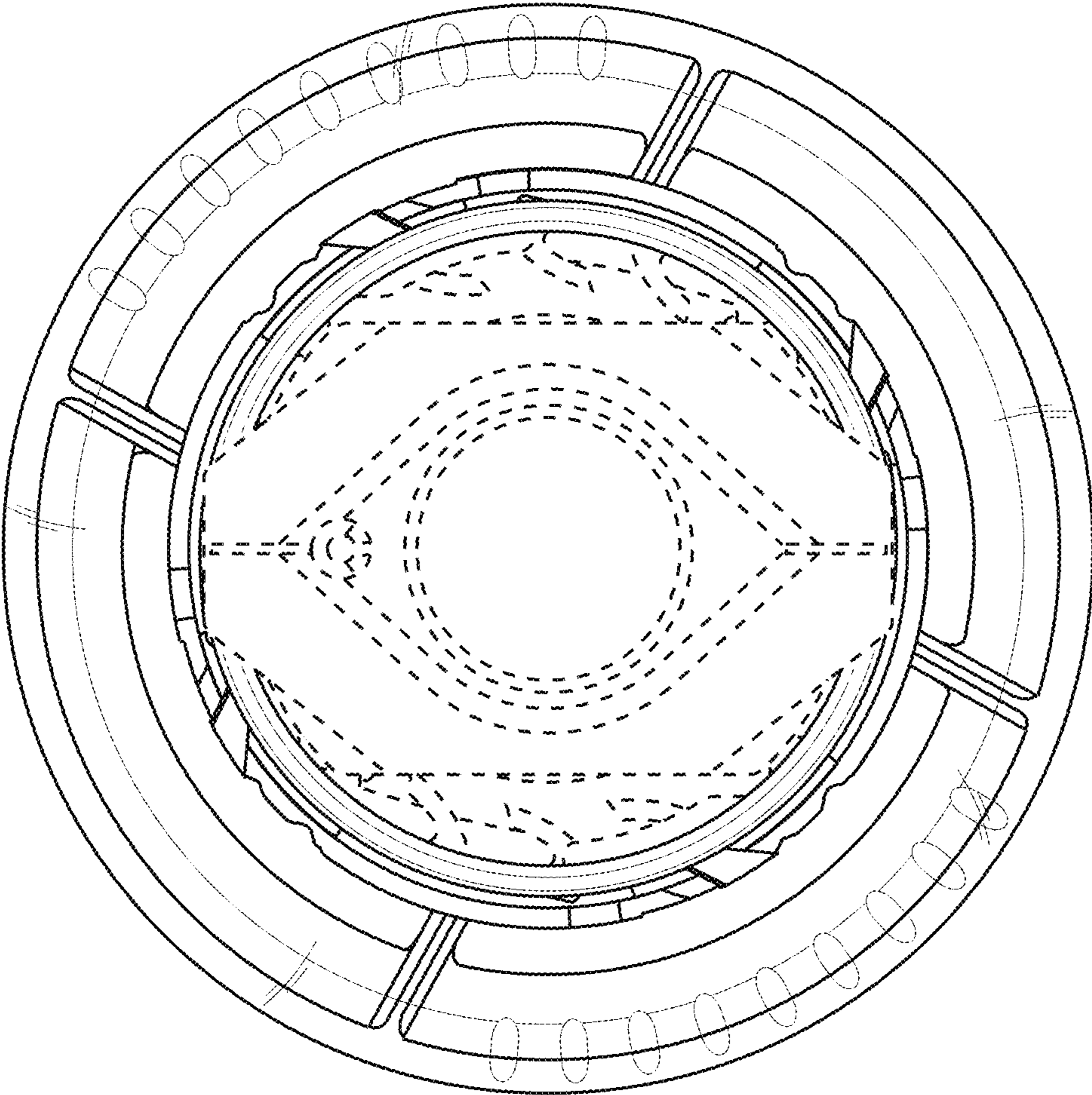


**FIG. 6**

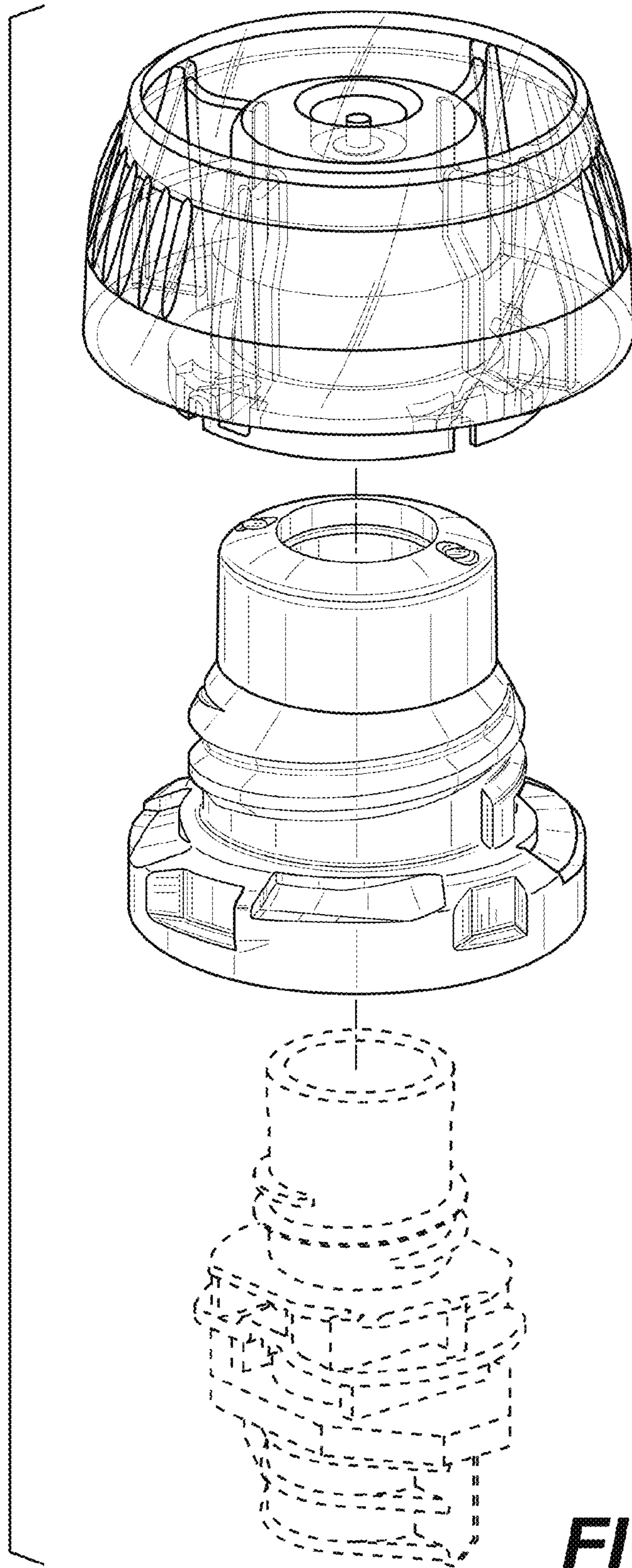




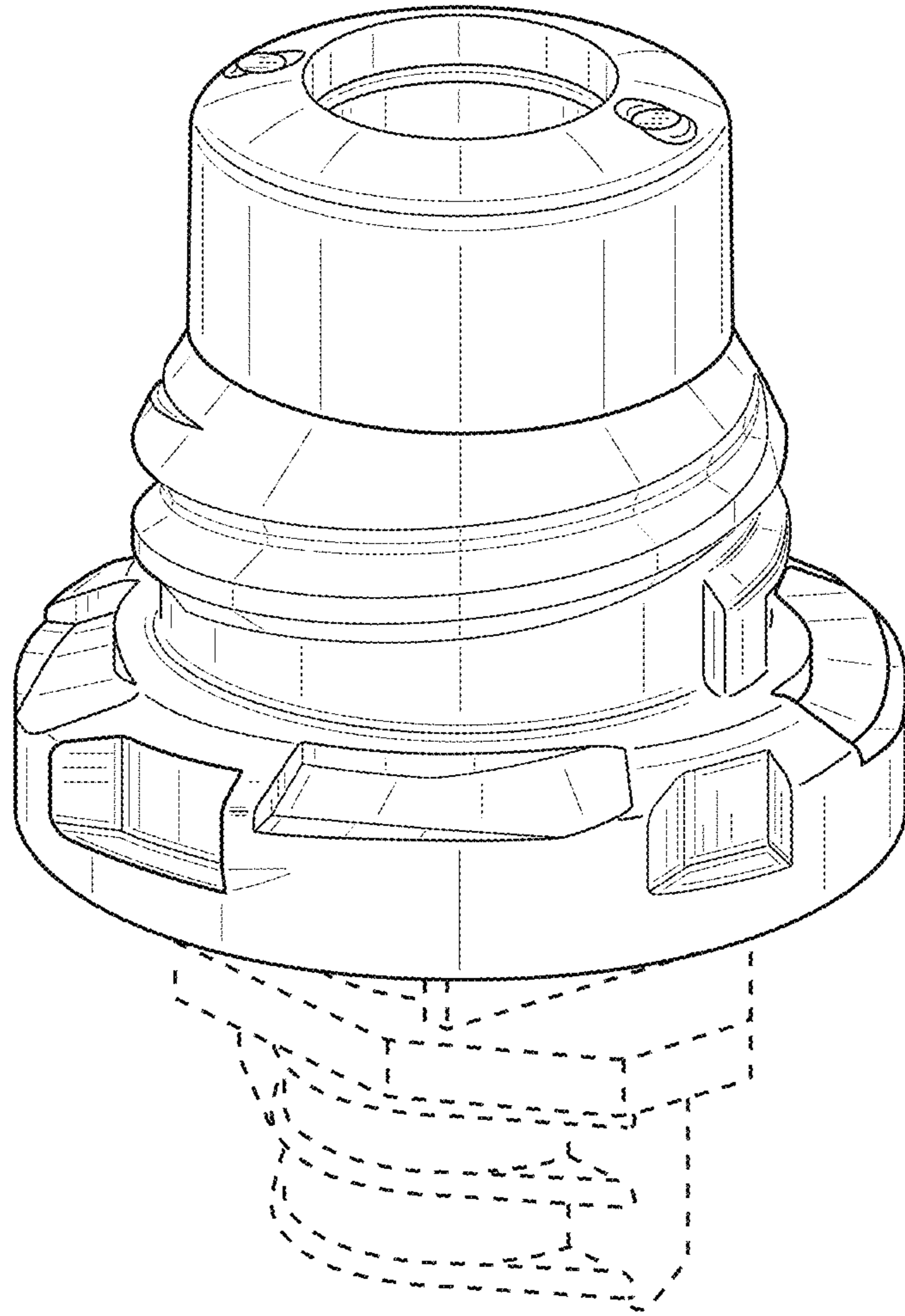
**FIG. 7**



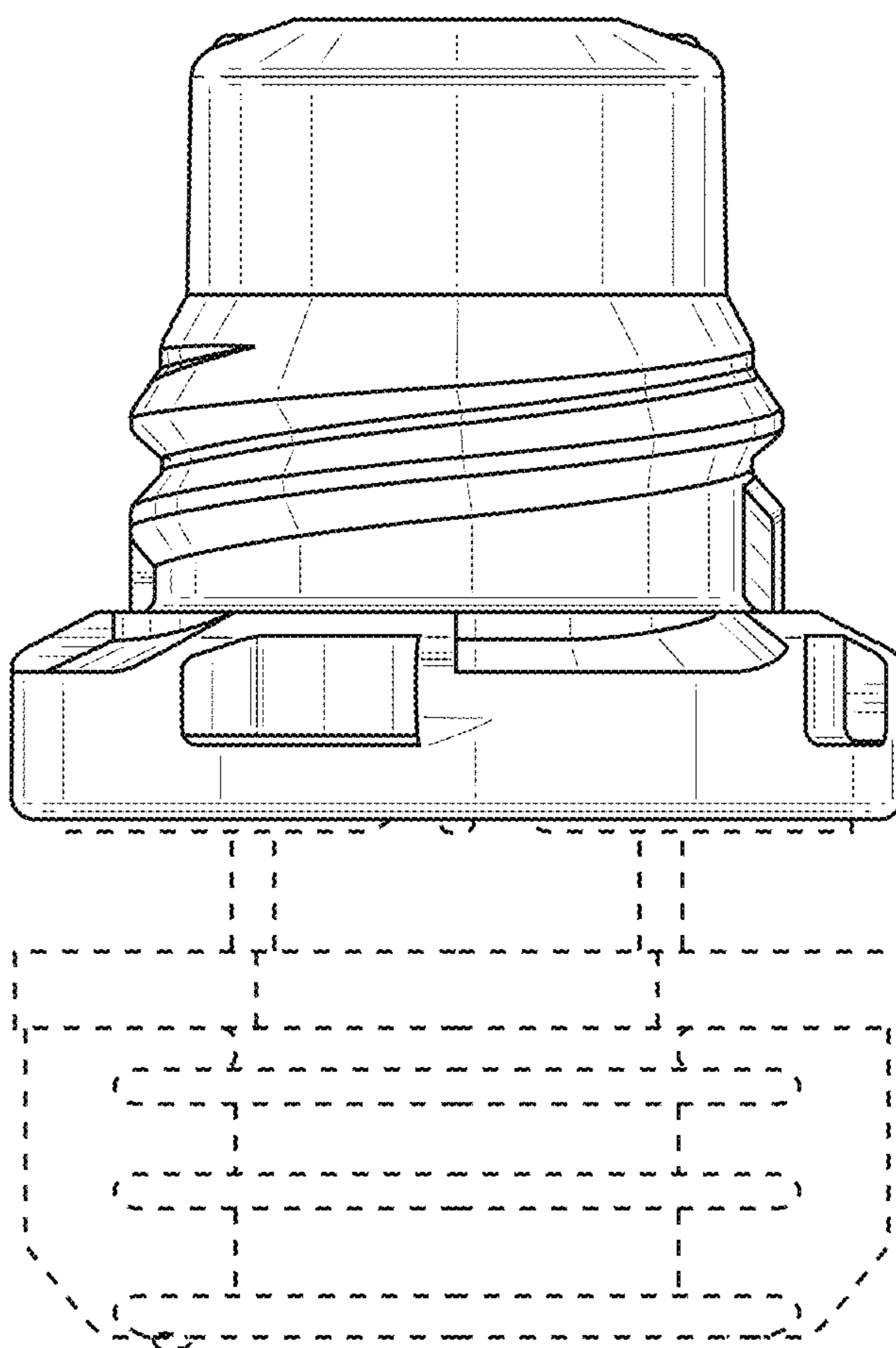
**FIG. 8**



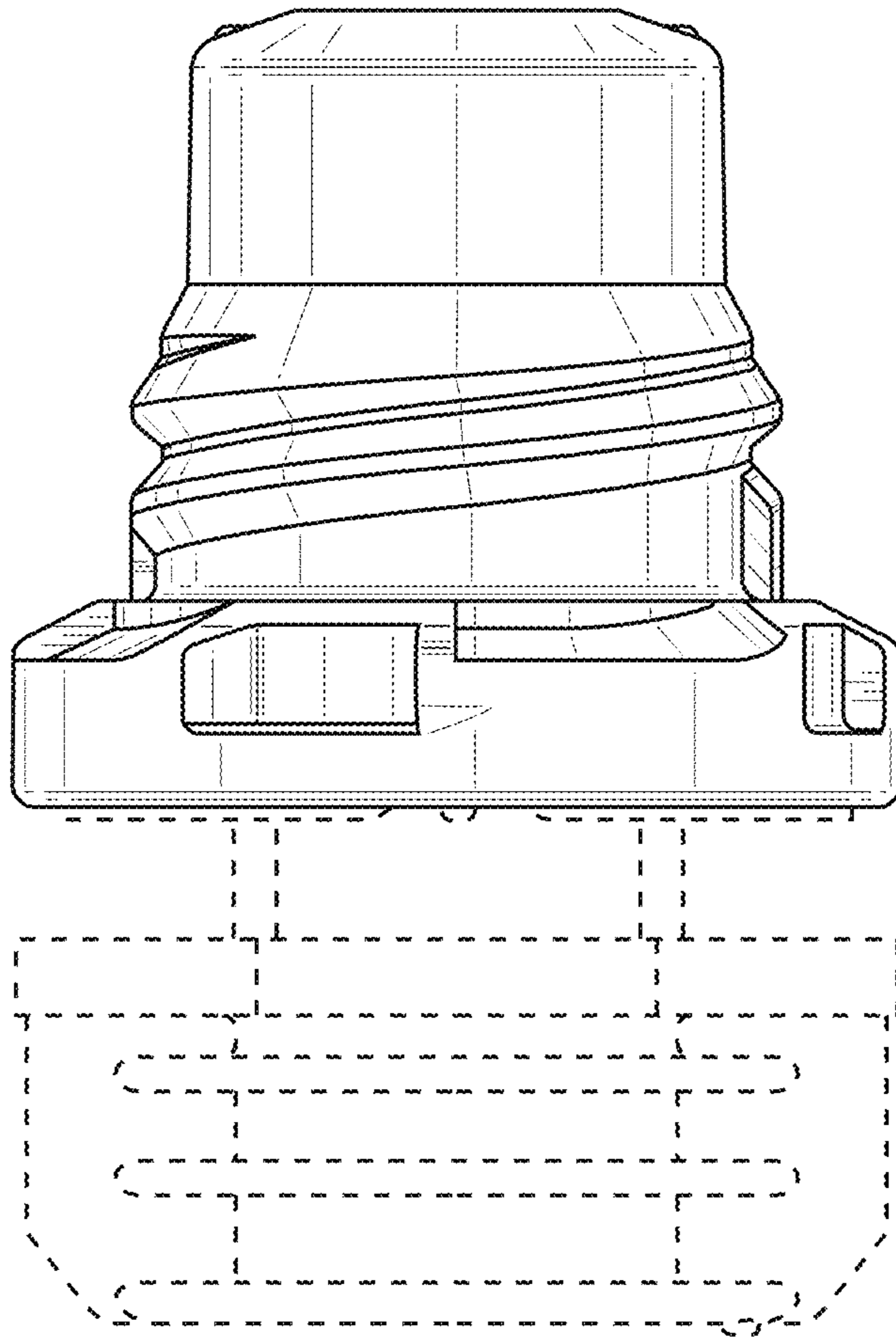
**FIG. 9**



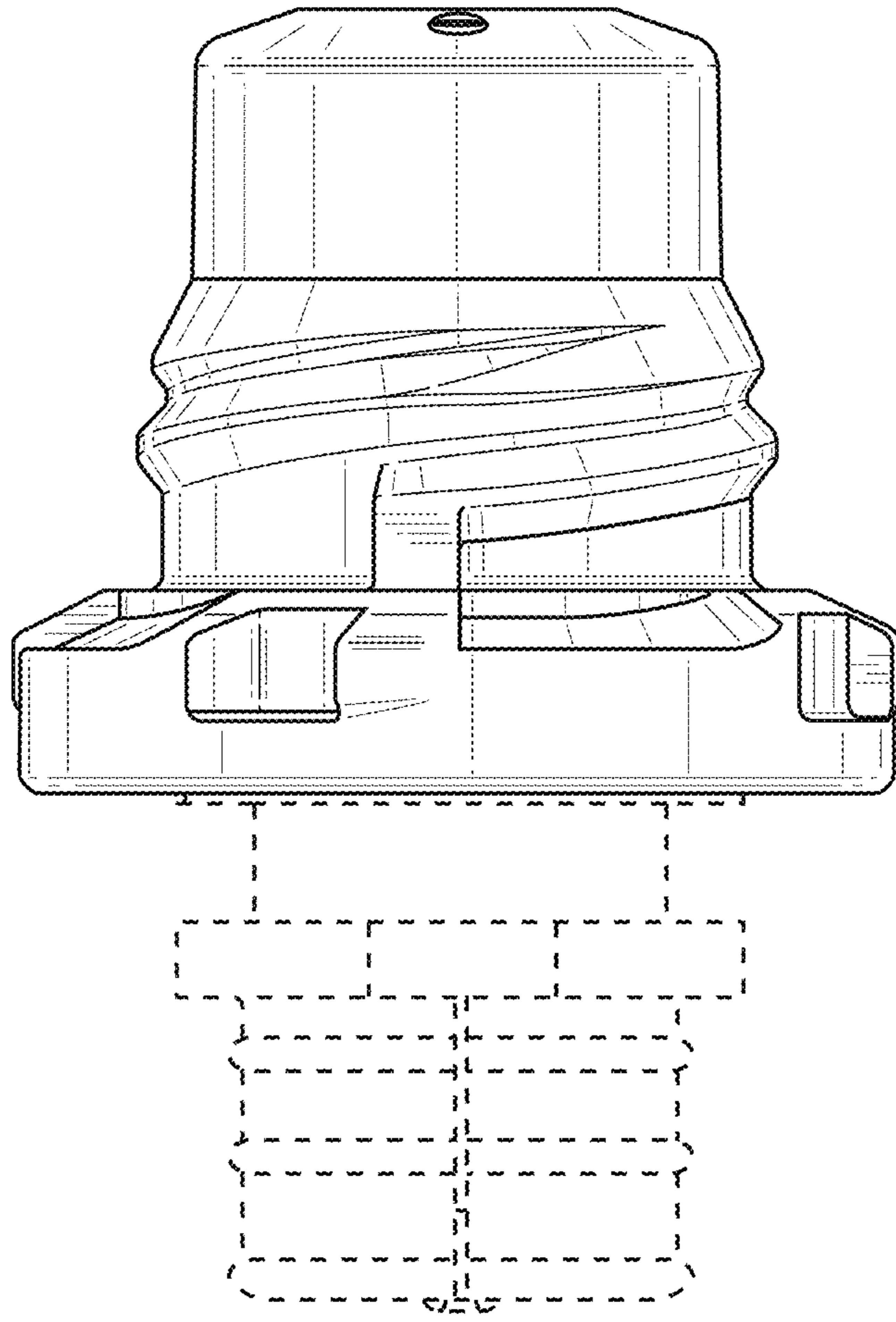
**FIG. 10**



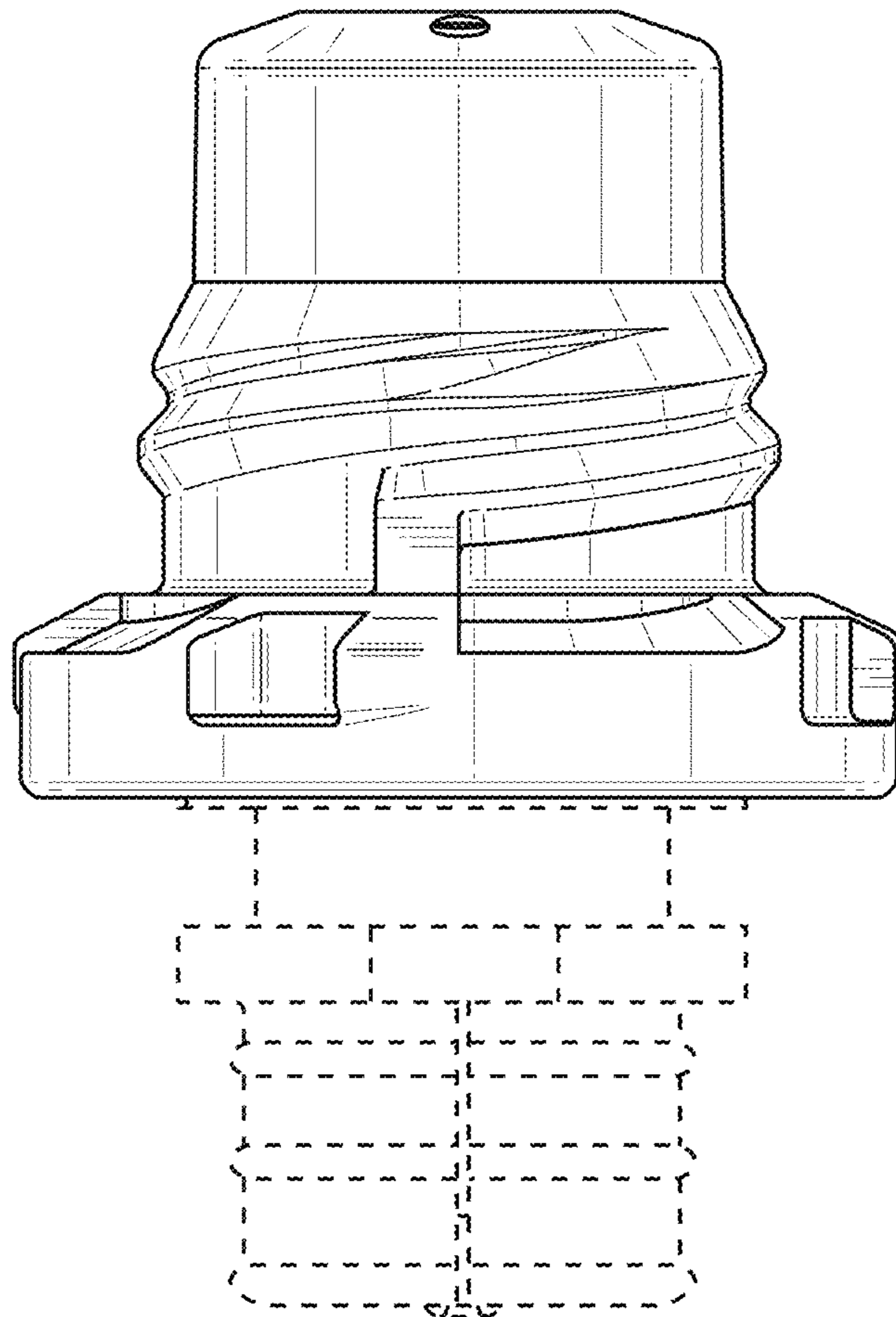
**FIG. 11**



**FIG. 12**

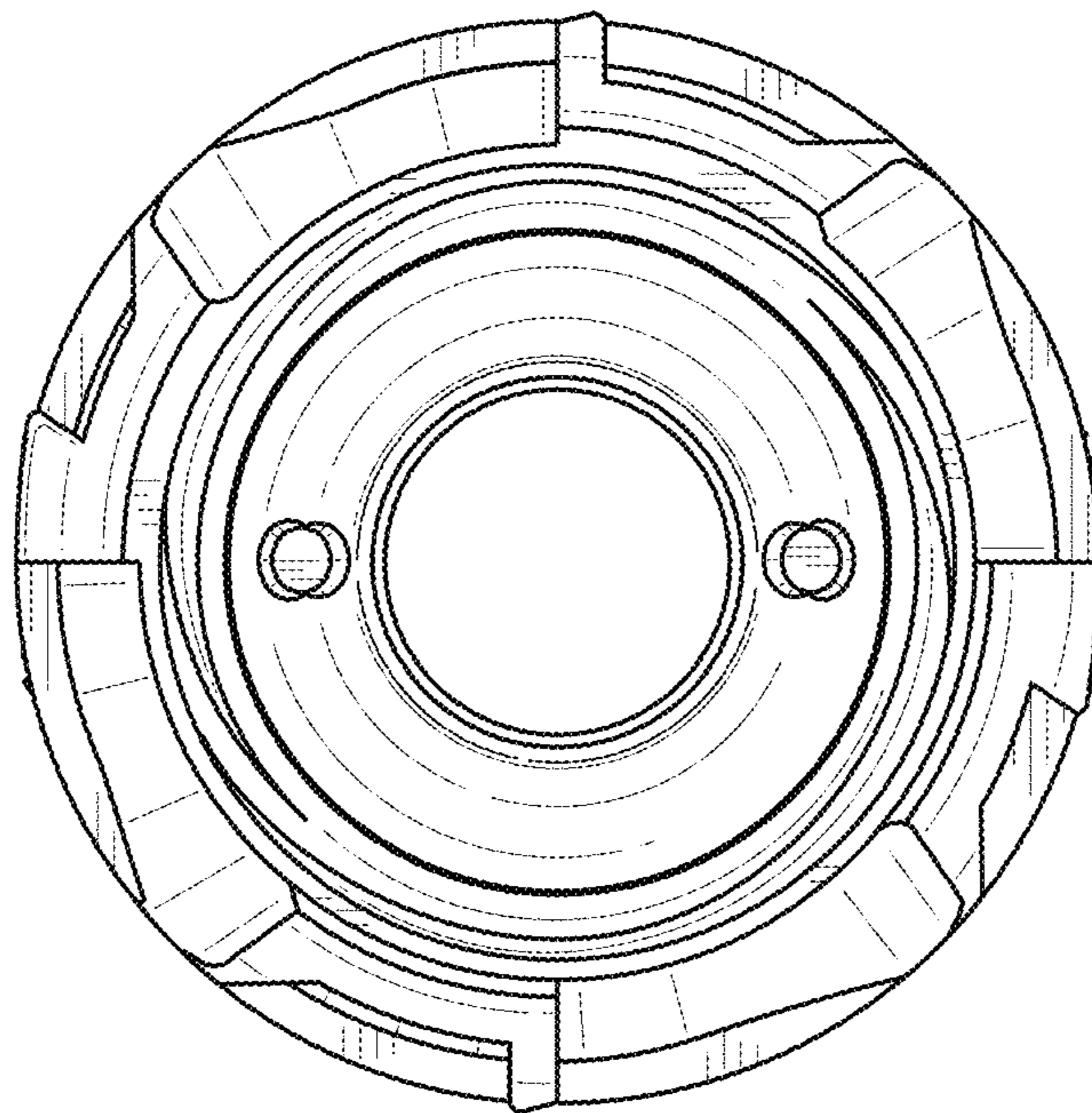


**FIG. 13**

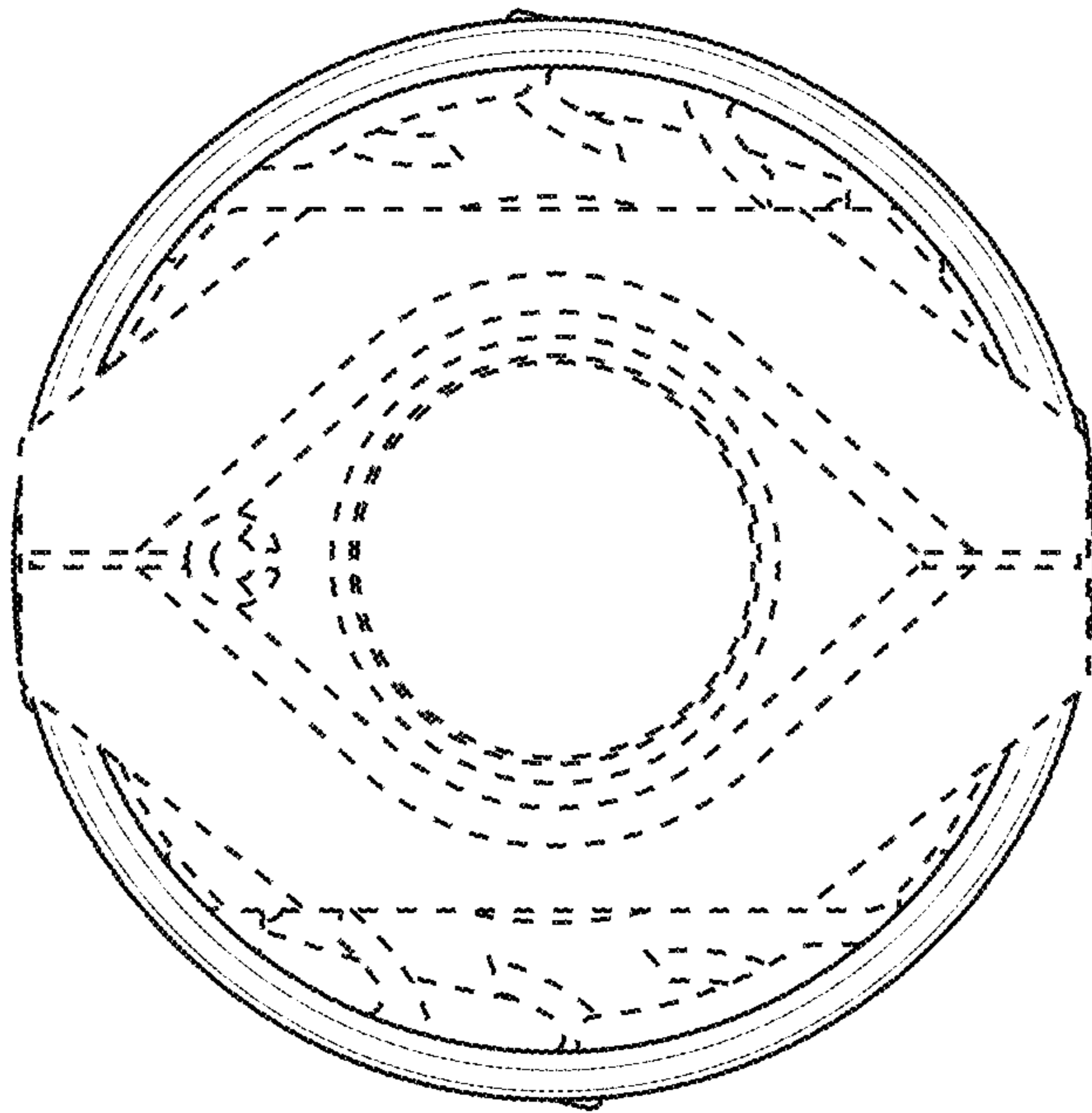


**FIG. 14**





**FIG. 15**



**FIG. 16**