



US00D817168S

(12) **United States Design Patent** (10) **Patent No.:** **US D817,168 S**
Barabino et al. (45) **Date of Patent:** **** May 8, 2018**

(54) **DISPENSING DEVICE**

(71) Applicant: **Oftalab S.r.l.**, Milan (IT)

(72) Inventors: **Stefano Barabino**, Imperia (IT); **Luigi Bisio**, Alessandria (IT)

(73) Assignee: **OFTALAB S.R.L.**, Milan (IT)

(**) Term: **15 Years**

(21) Appl. No.: **29/607,562**

(22) Filed: **Jun. 14, 2017**

(30) **Foreign Application Priority Data**

Dec. 29, 2016 (EM) 003556133-0002

(51) **LOC (11) Cl.** **09-07**

(52) **U.S. Cl.**
USPC **D9/447; D9/453**

(58) **Field of Classification Search**
USPC D9/414, 415, 424, 425, 434, 435, 436,
D9/443, 444-452, 454-456, 499, 529,
D9/682, 685, 686, 453, 723, 724;
D7/387, 391, 392, 392.1, 396.1, 396.2,
D7/396.3, 396.4, 397, 398, 401.1, 507,
D7/509-511, 538, 900; D3/202, 203.2;
D28/91, 91.1; D8/14.1; D24/108, 119
CPC .. A61J 1/00; A61J 1/1412; B65D 1/00; B65D
1/02; B65D 1/10; B65D 1/46; B65D
2585/56; B65D 2585/545; B65D 41/00;
B65D 41/38; B65D 41/56; B65D 41/62;
B65D 47/00; B65D 47/06; B65D 47/08;
B65D 2543/00046; B65D 2543/00092;
B65D 2543/00296; B65D 5/46; B65D
2251/00

See application file for complete search history.

(56) **References Cited**

U.S. PATENT DOCUMENTS

D136,452 S * 10/1943 Trump D8/DIG. 2
D200,364 S * 2/1965 Brody D9/447

D242,327 S * 11/1976 Schneider D9/447
D286,380 S * 10/1986 Harman D9/447
D295,380 S * 4/1988 Virag D9/447
D318,233 S * 7/1991 Ackerman D9/434
D331,874 S * 12/1992 Schmidt D9/447
D335,256 S * 5/1993 Slavin D9/724
D338,159 S * 8/1993 Densky D9/453
D377,891 S * 2/1997 Bencich D8/14.1
D379,304 S * 5/1997 Bova D9/447
D447,949 S * 9/2001 Richardson D9/435
D464,265 S * 10/2002 Elliot D9/504
D466,553 S * 12/2002 Yan D9/724
D522,360 S * 6/2006 Caserta D9/447
D524,158 S * 7/2006 Caserta D9/447
D524,649 S * 7/2006 Samartgis D9/446
D532,295 S * 11/2006 Stull D9/435
D612,730 S * 3/2010 Rushe D9/449
D633,384 S * 3/2011 Tanaka D9/447

(Continued)

Primary Examiner — Michael A. Pratt

Assistant Examiner — Wendy L Arminio

(74) *Attorney, Agent, or Firm* — Vorys, Sater, Seymour and Pease LLP

(57) **CLAIM**

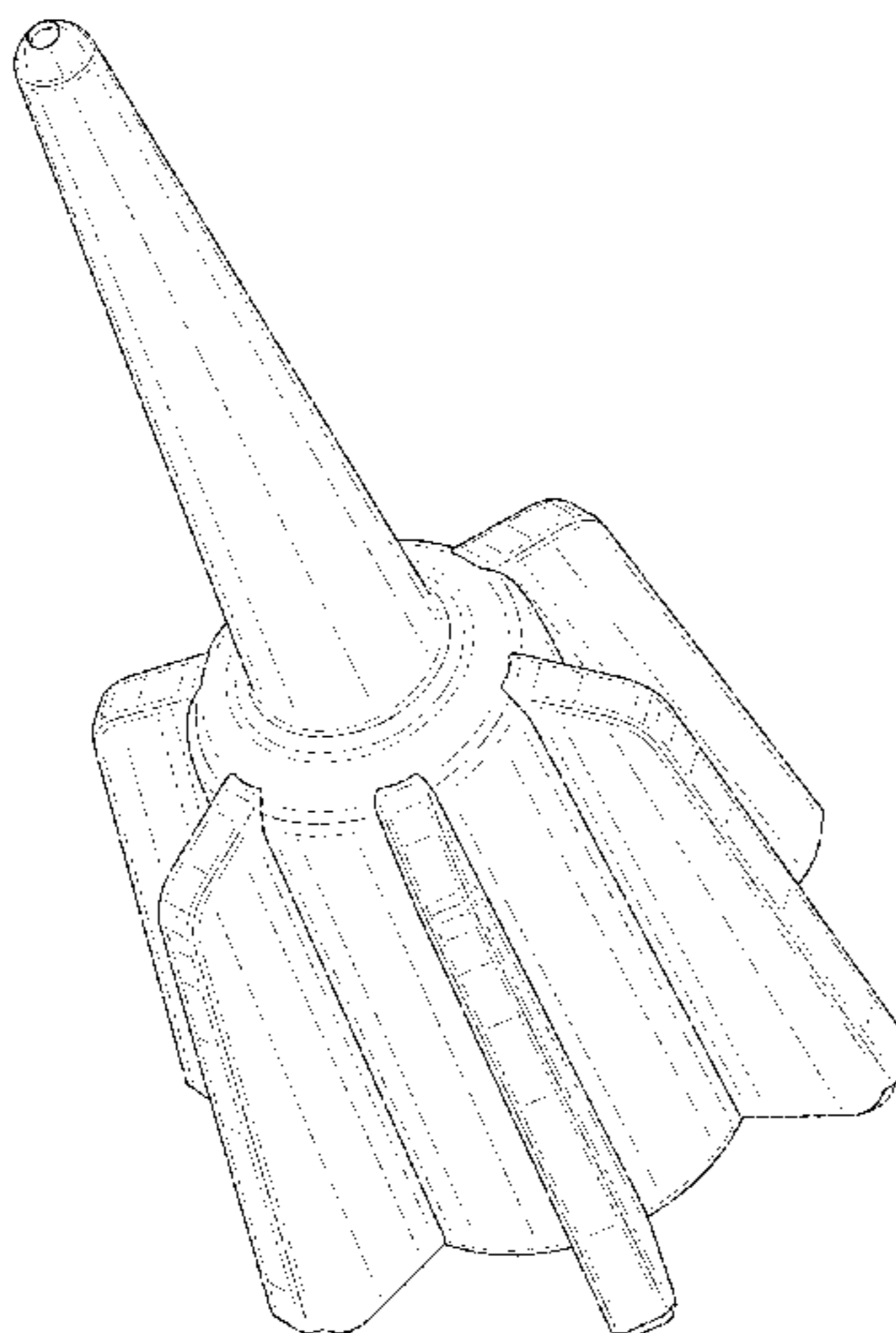
The ornamental design for a dispensing device, as shown and described.

DESCRIPTION

FIG. 1 is a perspective view of a dispensing device.
FIG. 2 is a front view thereof.
FIG. 3 is a rear view thereof.
FIG. 4 is a right side view thereof.
FIG. 5 is a left side view thereof.
FIG. 6 is a top view thereof; and,
FIG. 7 is a bottom view thereof.

The broken lines in FIG. 7 depict portions of the dispensing device that form no part of the claimed design.

1 Claim, 7 Drawing Sheets



(56)

References Cited

U.S. PATENT DOCUMENTS

D733,908 S *	7/2015	Eckstein	D24/220
D734,490 S *	7/2015	Eckstein	D24/220
D735,350 S *	7/2015	Eckstein	D24/220
D774,908 S *	12/2016	Eckstein	D24/130
D785,810 S *	5/2017	Wang	D24/220
2010/0032432 A1 *	2/2010	Stull, Sr.	B65D 47/10 220/257.1

* cited by examiner

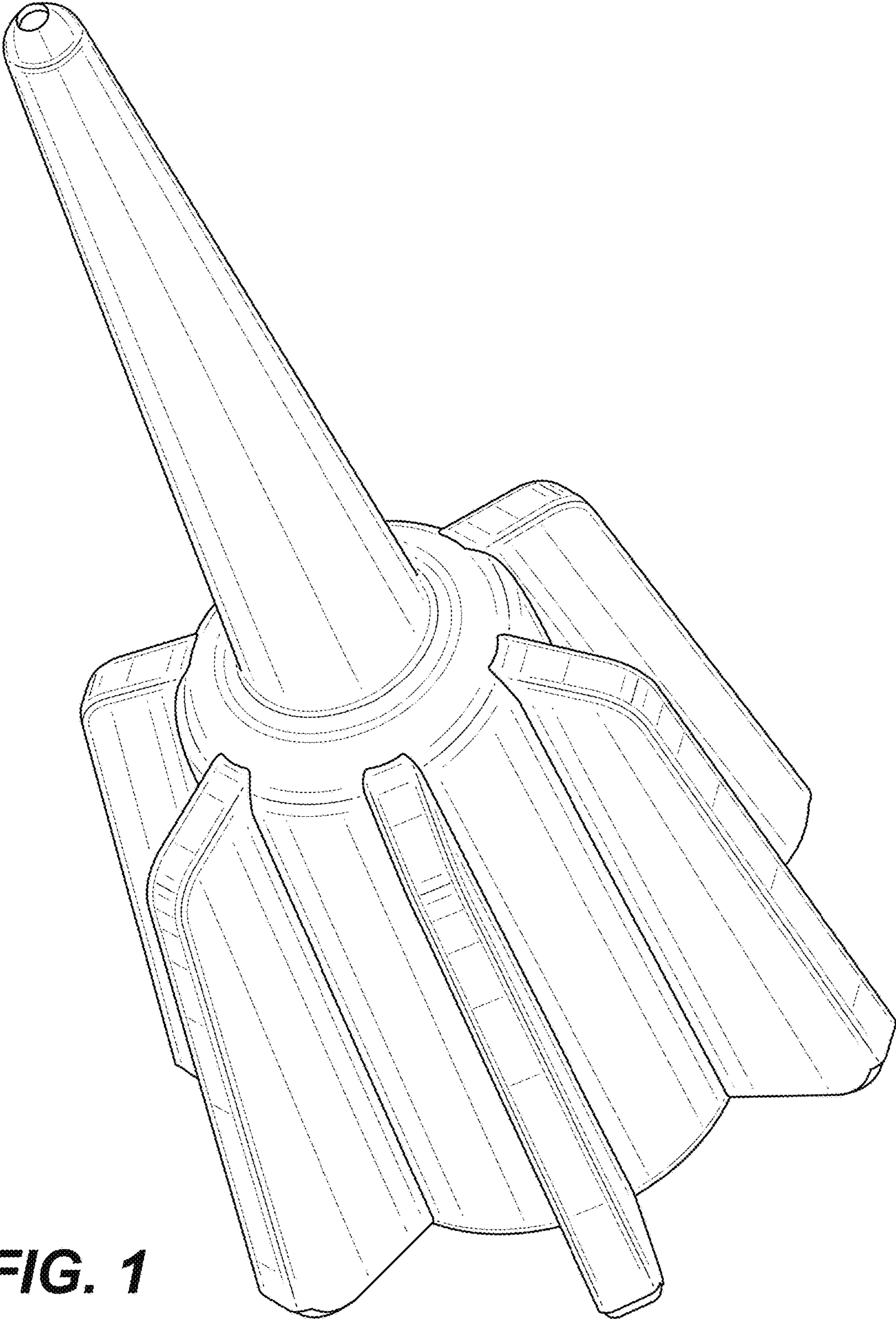


FIG. 1

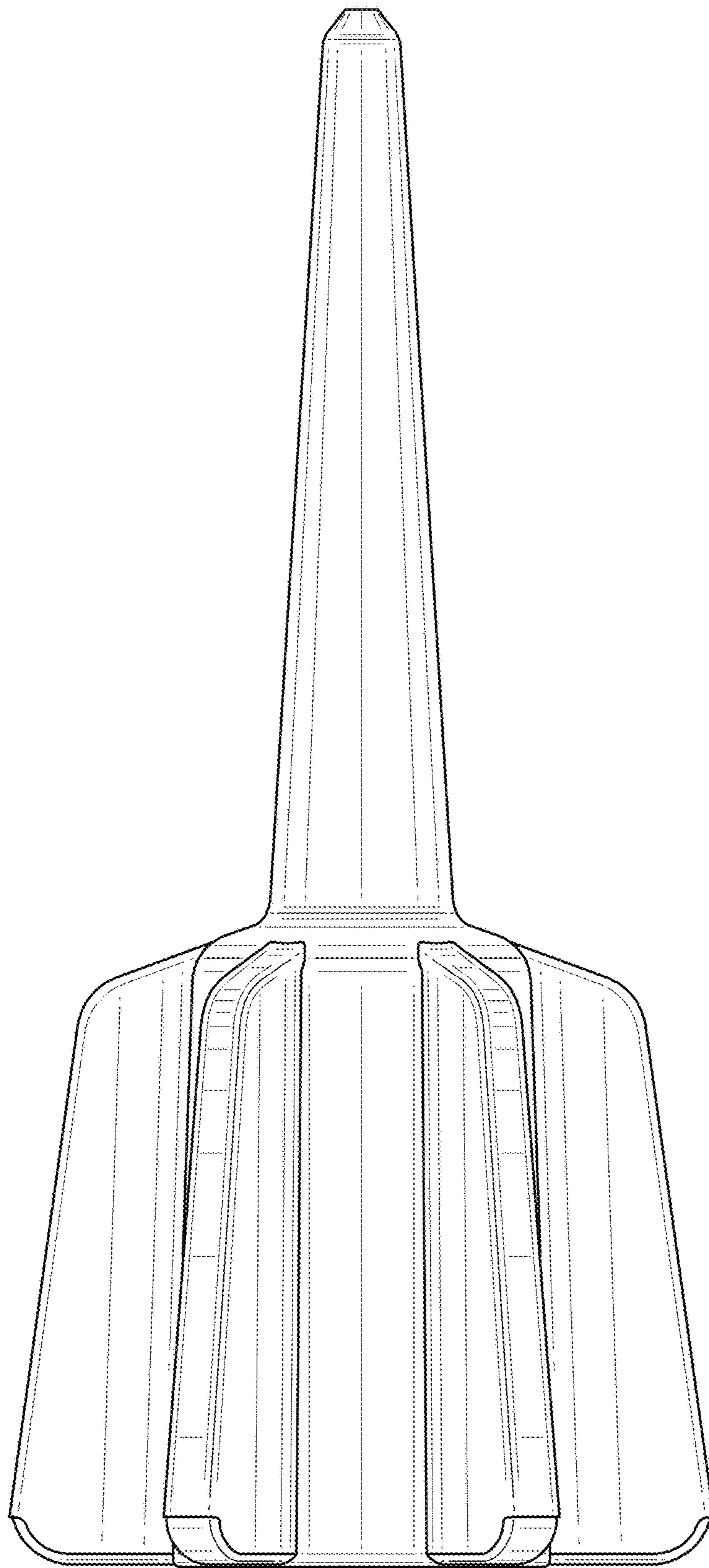


FIG. 2

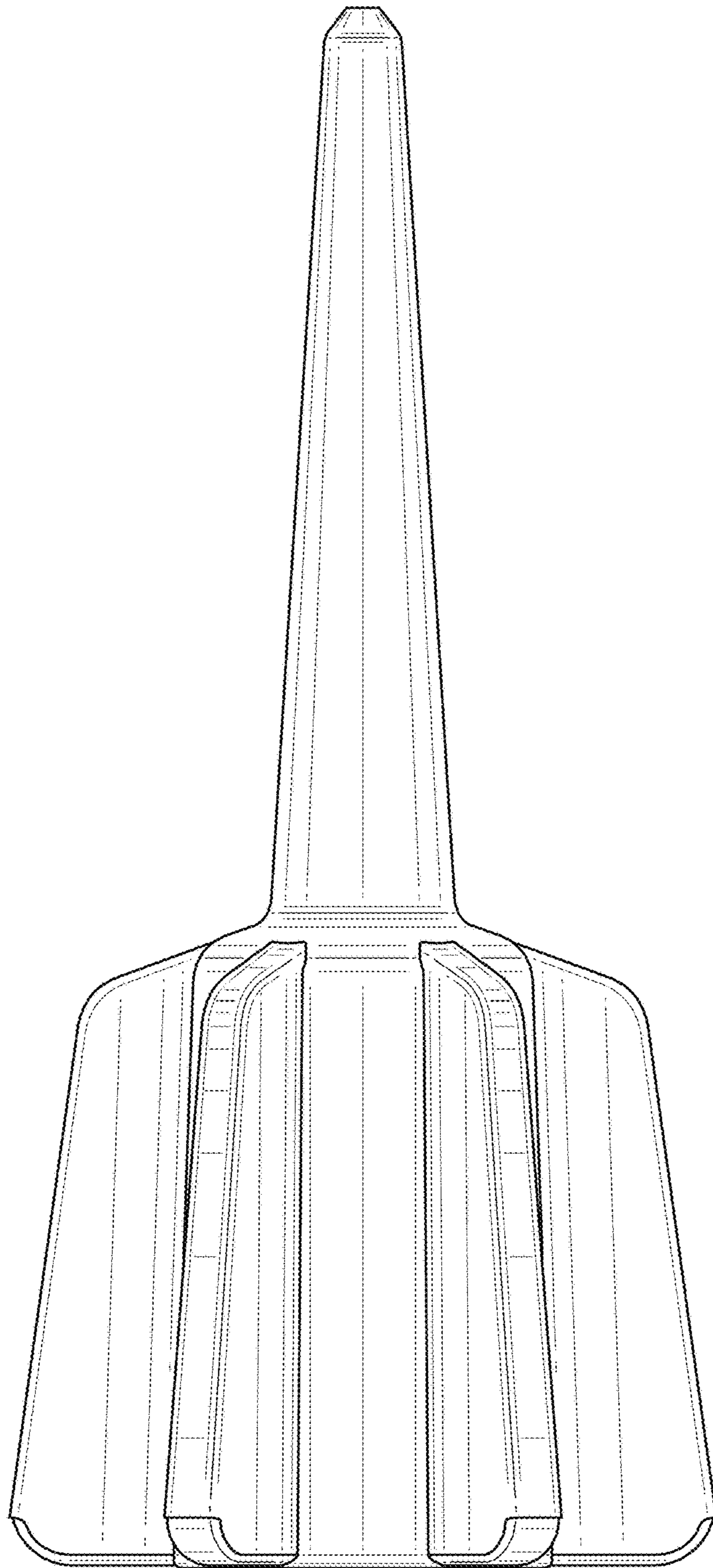


FIG. 3

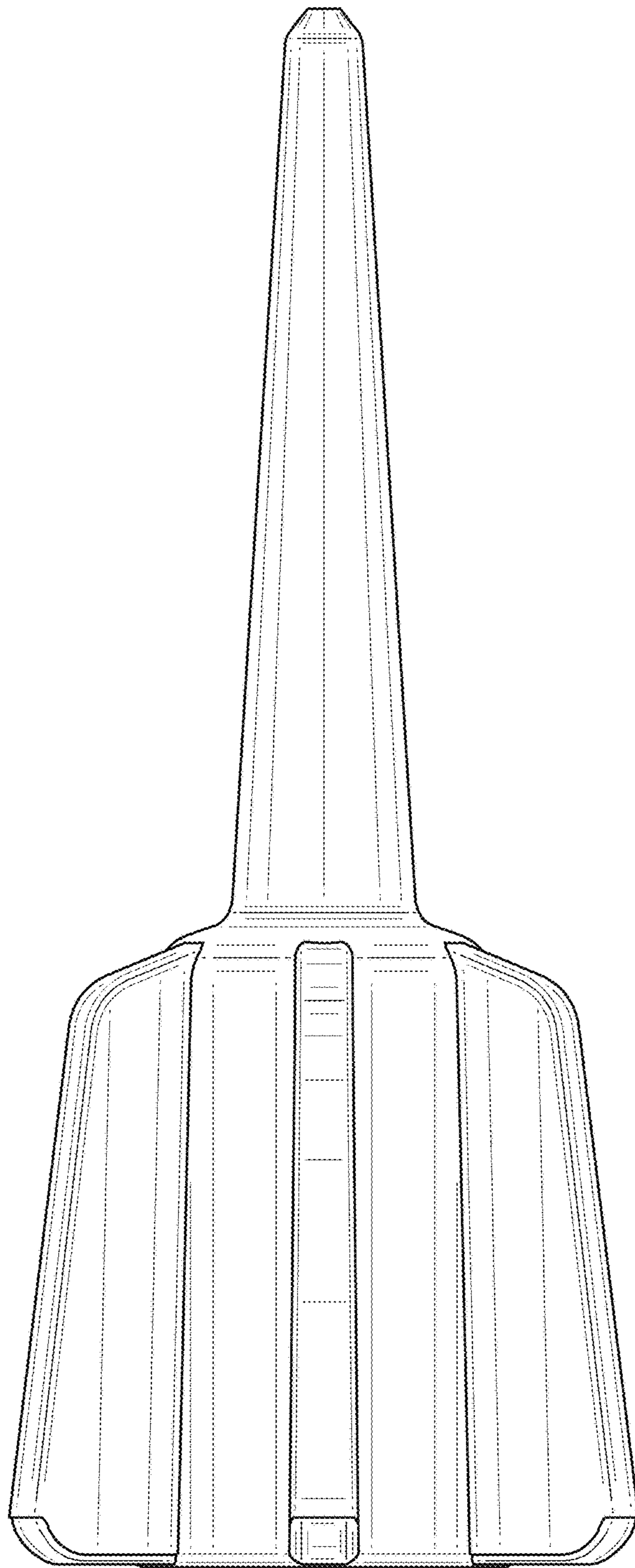


FIG. 4

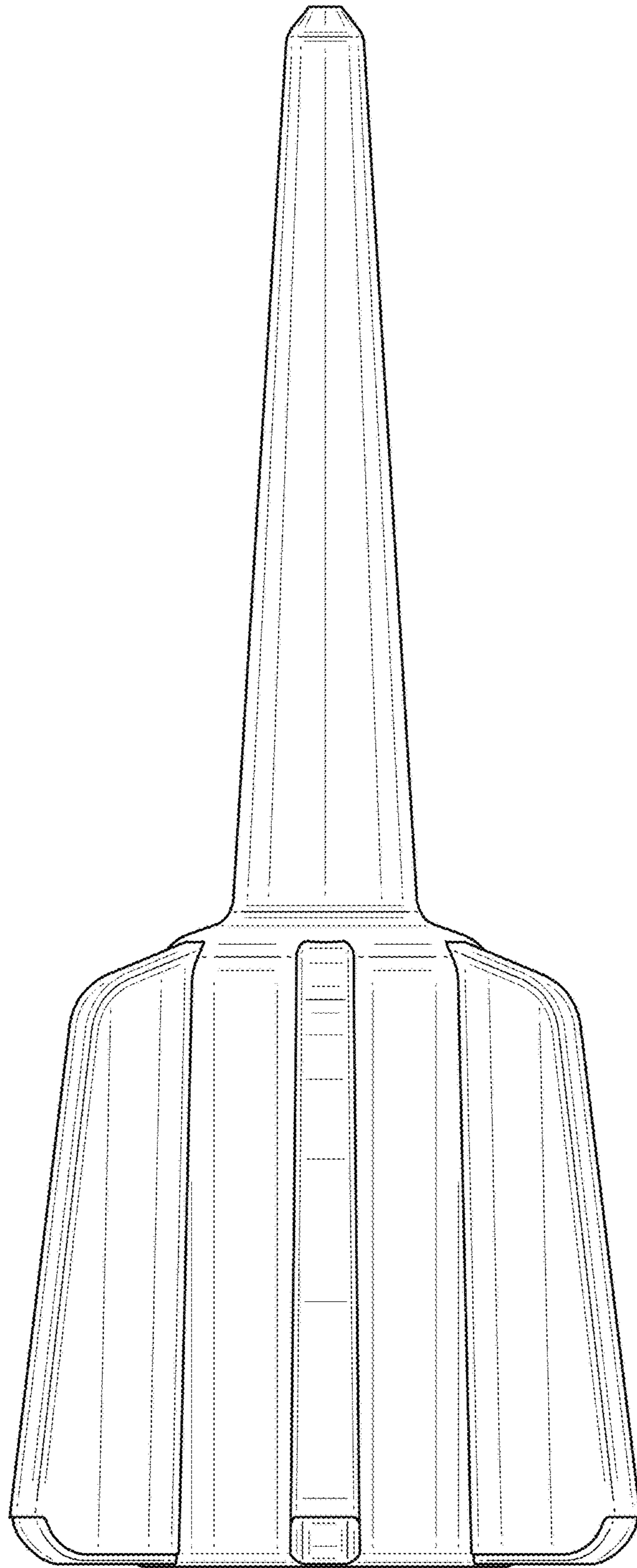


FIG. 5

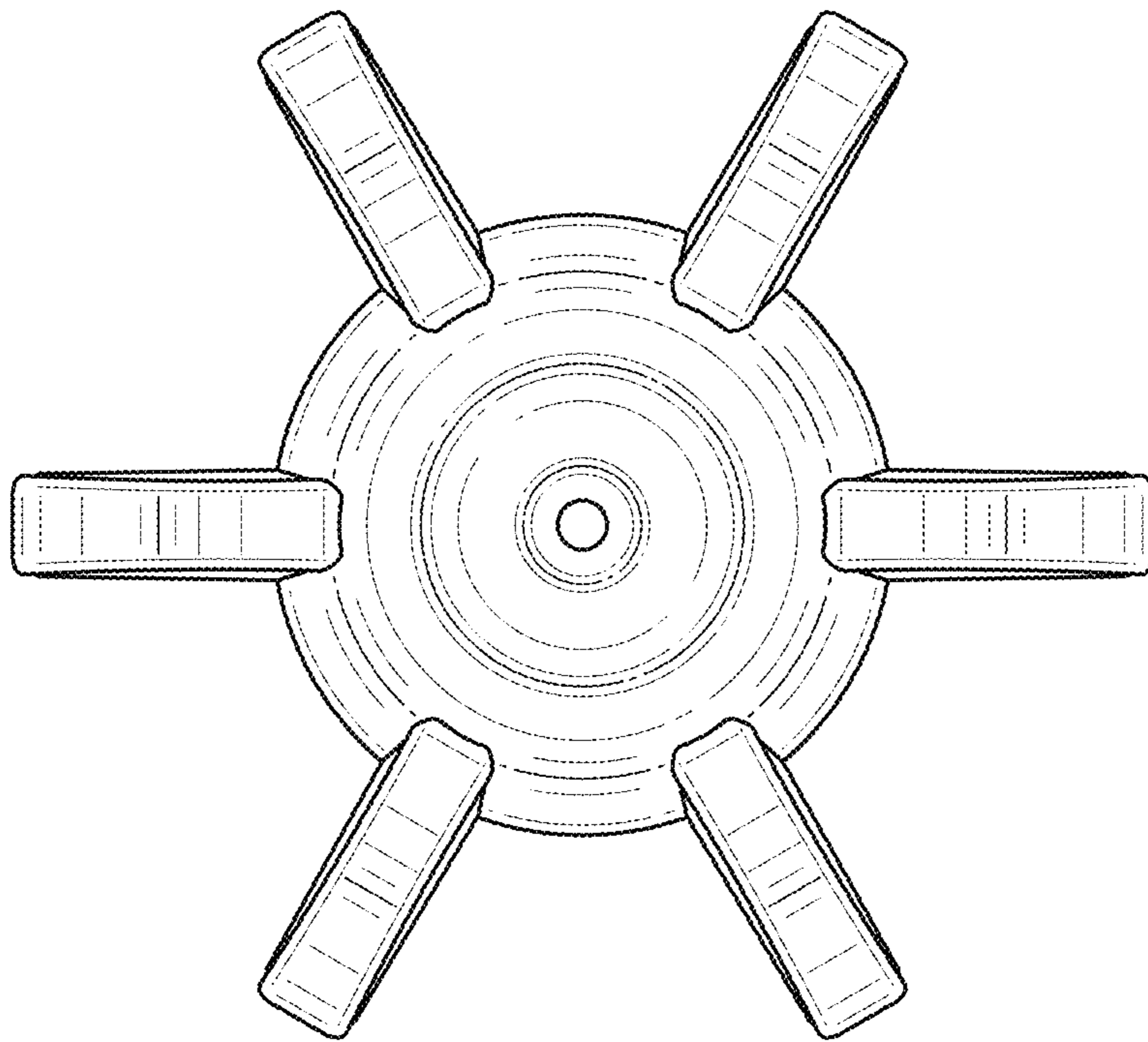


FIG. 6

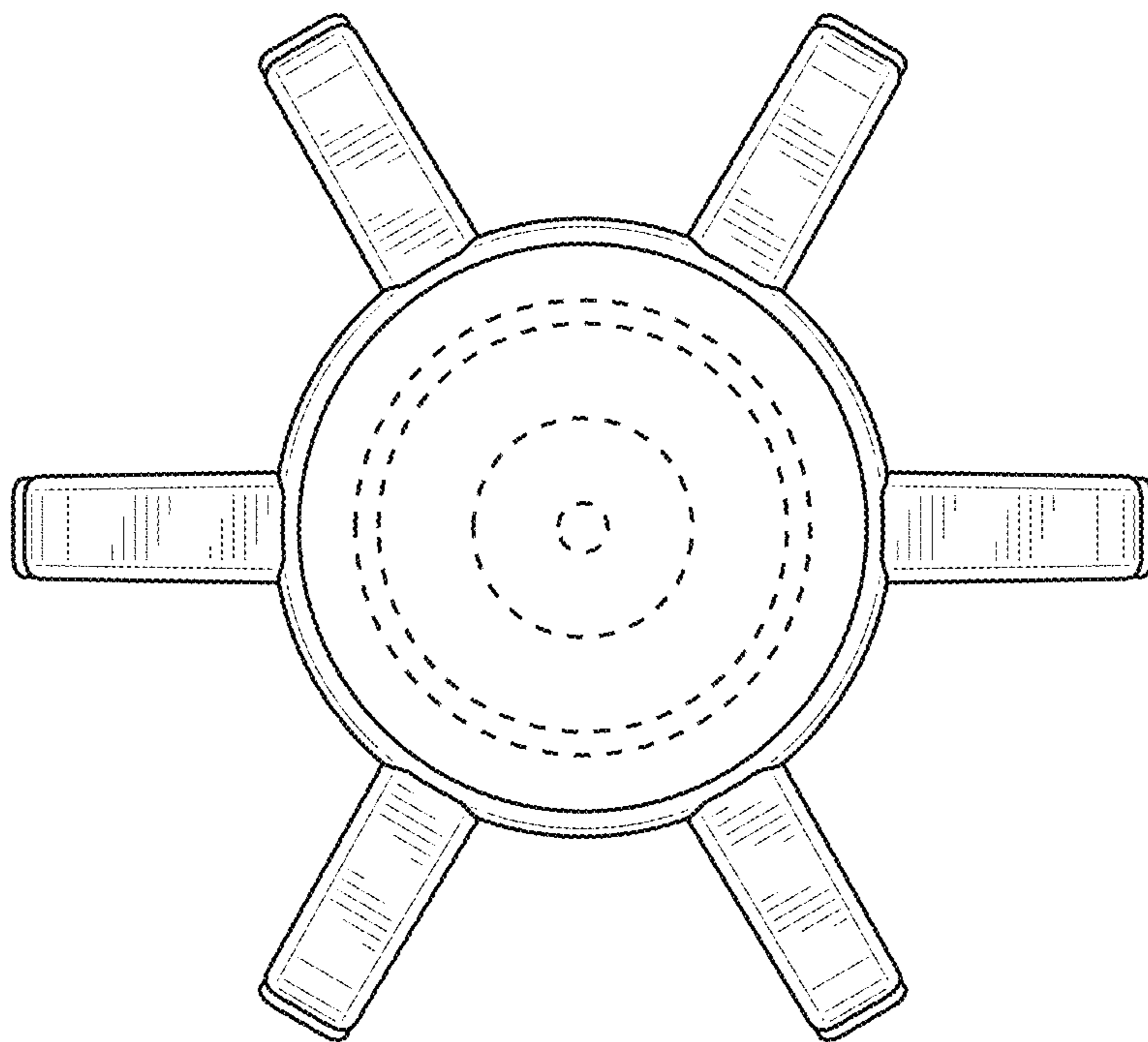


FIG. 7