



US00D817167S

(12) **United States Design Patent** (10) **Patent No.:** **US D817,167 S**
Dorr (45) **Date of Patent:** **** May 8, 2018**

(54) **BOX WITH A HEXAGONAL CUT-OUT**

(71) Applicant: **3M INNOVATIVE PROPERTIES COMPANY**, St. Paul, MN (US)

(72) Inventor: **Jillian L Dorr**, St. Paul, MN (US)

(73) Assignee: **3M Innovative Properties Company**, St. Paul, MN (US)

(**) Term: **15 Years**

(21) Appl. No.: **29/569,986**

(22) Filed: **Jul. 1, 2016**

(51) **LOC (11) Cl.** **09-07**

(52) **U.S. Cl.**
USPC **D9/434**; D9/418; D9/433

(58) **Field of Classification Search**
USPC D9/414-434, 442-445, 456, 457, 542, D9/563, 600, 614-624, 655, 657, 658, D9/661, 685, 696, 697-699, 707, 708, D9/711, 754, 759, 772-776; D3/273, D3/276, 304, 309-313; D7/601, 602, 709
CPC B65D 5/00; B65D 5/001; B65D 5/0015; B65D 5/0227-5/0254; B65D 5/18; B65D 5/38; B65D 5/40; B65D 5/2033; B65D 5/48024; B65D 5/6605; B65D 1/22; B65D 1/24; B65D 1/34; B65B 5/06
See application file for complete search history.

(56) **References Cited**

U.S. PATENT DOCUMENTS

D528,794 S *	9/2006	Lanham	D3/294
D594,741 S *	6/2009	Bracey	D9/418
D595,129 S *	6/2009	Russell	D9/432
D616,740 S *	6/2010	Akers	D9/432
D646,562 S *	10/2011	Liebowitz	D9/418
D648,939 S *	11/2011	Hoppus	D3/304
D655,087 S *	3/2012	Hoppus	D3/304
D655,600 S *	3/2012	Work	D9/418
D662,140 S *	6/2012	Huang	D19/84

D669,350 S *	10/2012	Althoff	D9/418
D718,631 S *	12/2014	Pascalie	D9/418
D735,600 S *	8/2015	Turner	D11/130
D764,272 S *	8/2016	Hoglund	D9/420
D772,063 S *	11/2016	Thompson	D9/434

(Continued)

FOREIGN PATENT DOCUMENTS

KR	30-0647743	6/2012
KR	30-0684958	3/2013

(Continued)

OTHER PUBLICATIONS

Kenko-Kom, Co, Ltd, Face and Body Scrub, retrieved from the internet, 1 page.

(Continued)

Primary Examiner — Vy N Koenig
Assistant Examiner — Omeed Agilee
(74) *Attorney, Agent, or Firm* — Emily V. Hargett

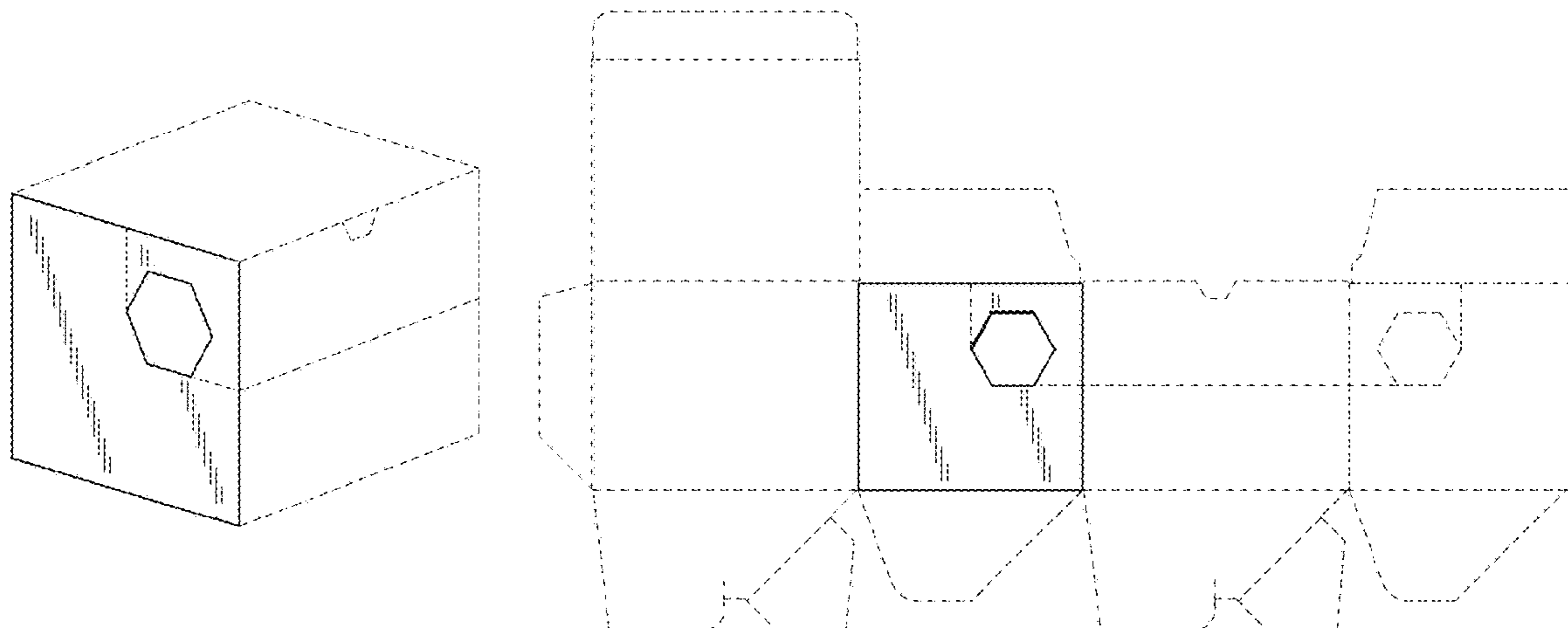
(57) **CLAIM**

The ornamental design for a box with a hexagonal cut-out, as shown and described.

DESCRIPTION

FIG. 1 is a front, top and left perspective view of the box with a hexagonal cut-out showing our new design; FIG. 2 is a left side elevational view thereof; FIG. 3 is a right side elevational view thereof; FIG. 4 is a front elevational view thereof; FIG. 5 is a back elevational view thereof; FIG. 6 is a top plan view thereof; FIG. 7 is a bottom plan view thereof; and, FIG. 8 is a top plan view of the box with a hexagonal cut-out in an unassembled blank configuration. The broken lines in the drawings depict optional perforation lines and form no part of the claimed design.

1 Claim, 4 Drawing Sheets



(56)

References Cited

U.S. PATENT DOCUMENTS

D776,985 S * 1/2017 Kim D15/89
D778,986 S * 2/2017 Kacin D19/77

FOREIGN PATENT DOCUMENTS

TW D126219 12/2008
TW D169384 8/2015

OTHER PUBLICATIONS

Emballages, Bottle Shape, retrieved from the internet, 1 page.
Toys R Us, Risk Marvel Captain America, Civil War, retrieved from
the internet, 1 page.

* cited by examiner

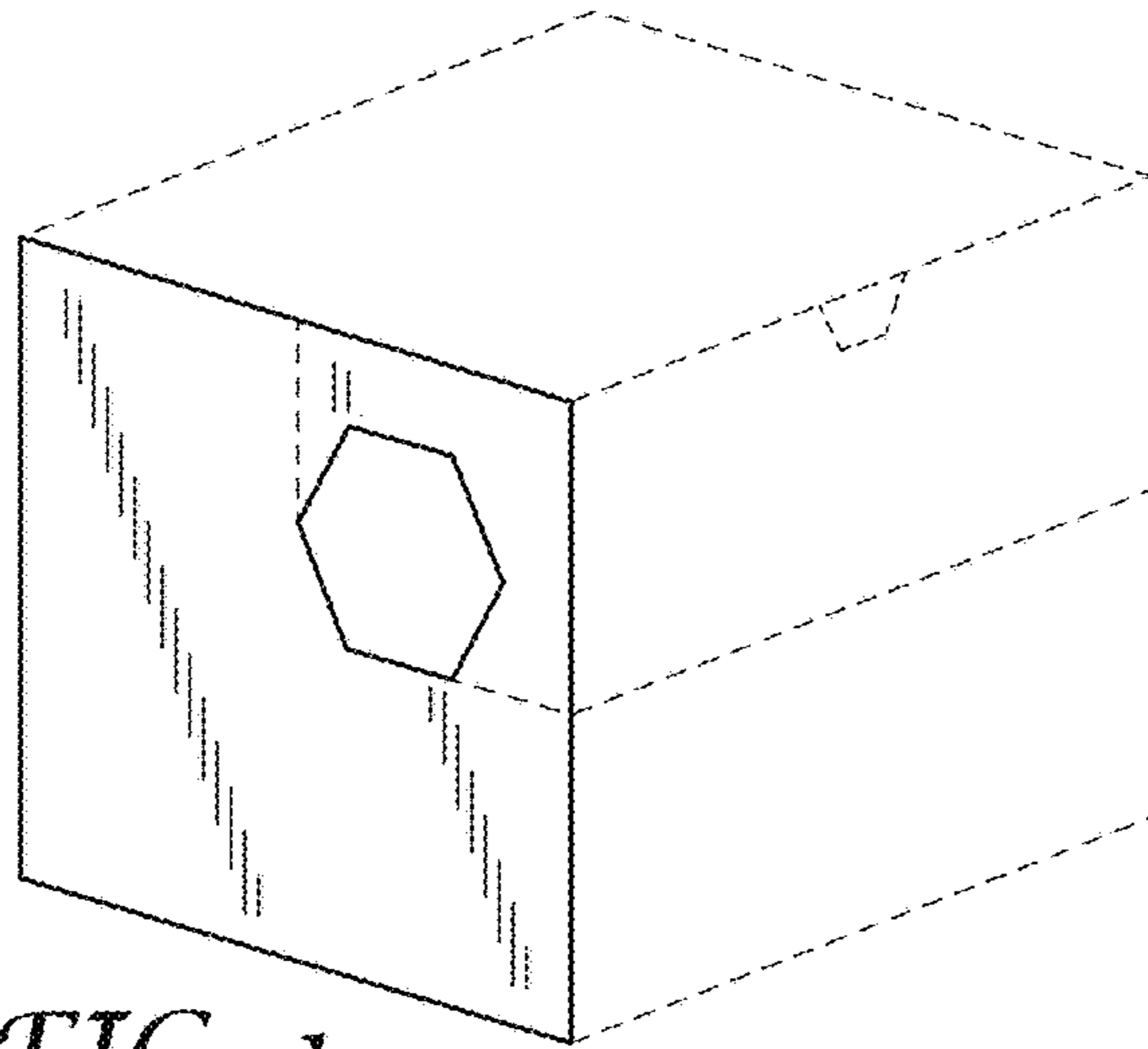


FIG. 1

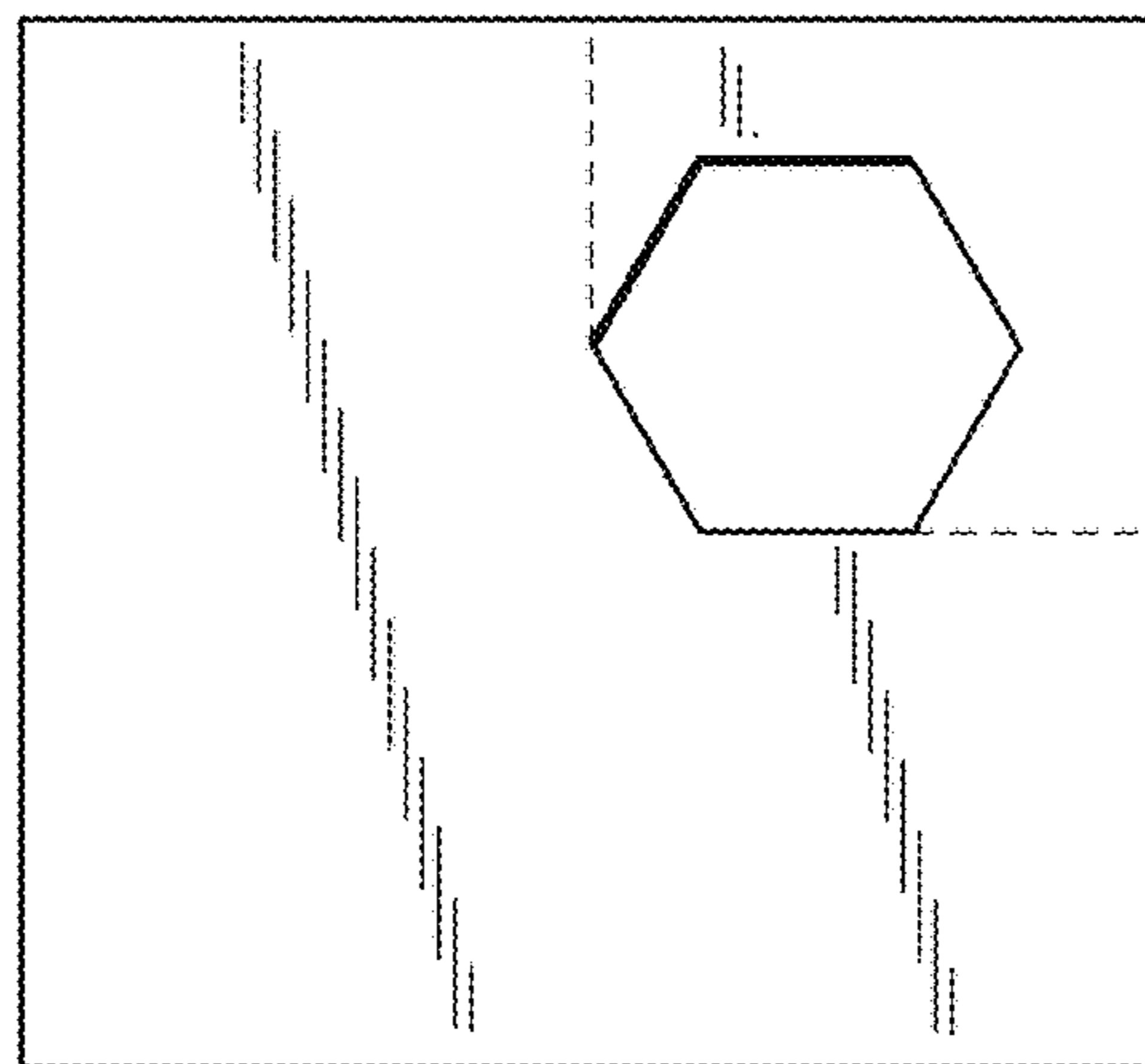


FIG. 2

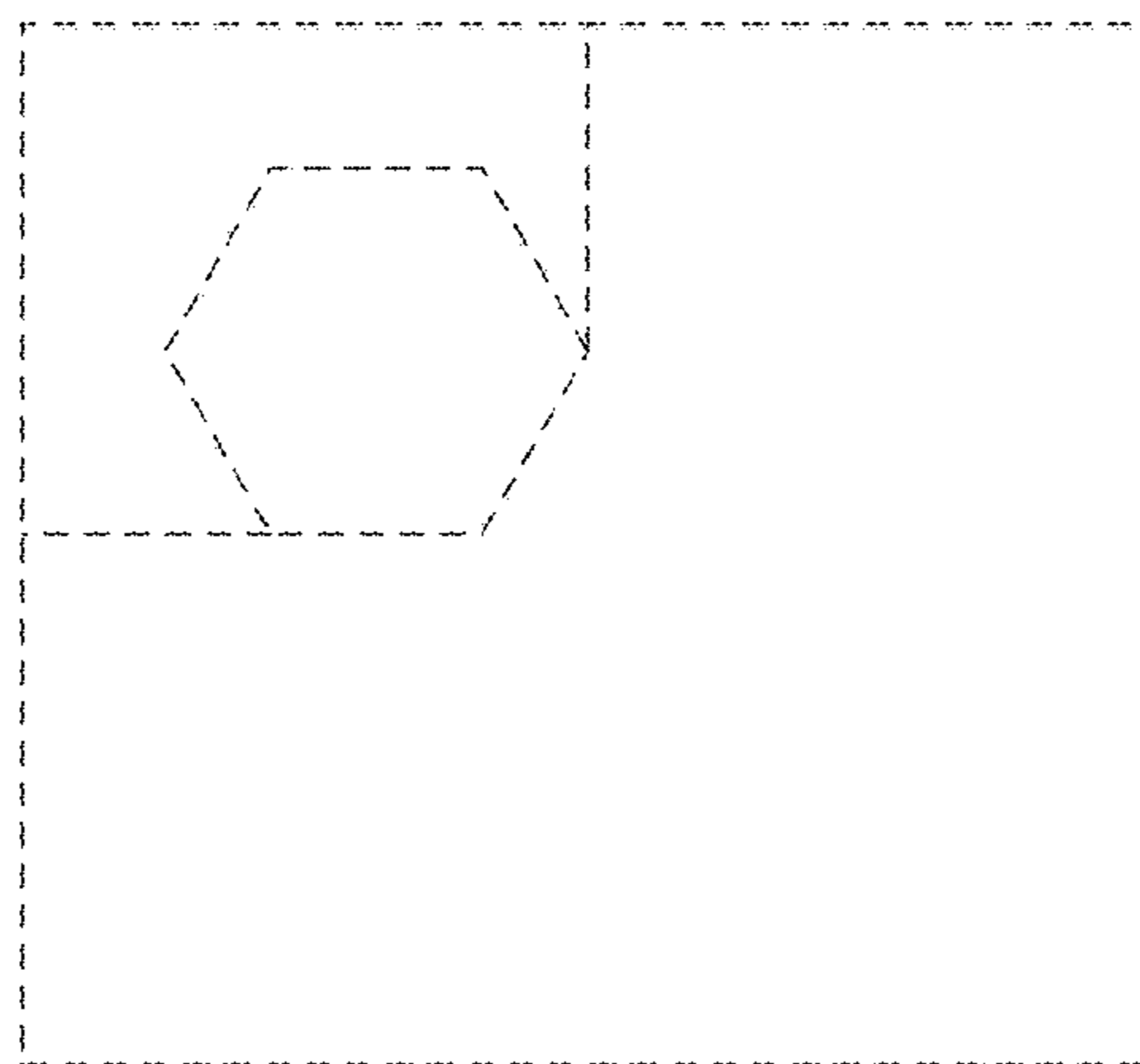


FIG. 3

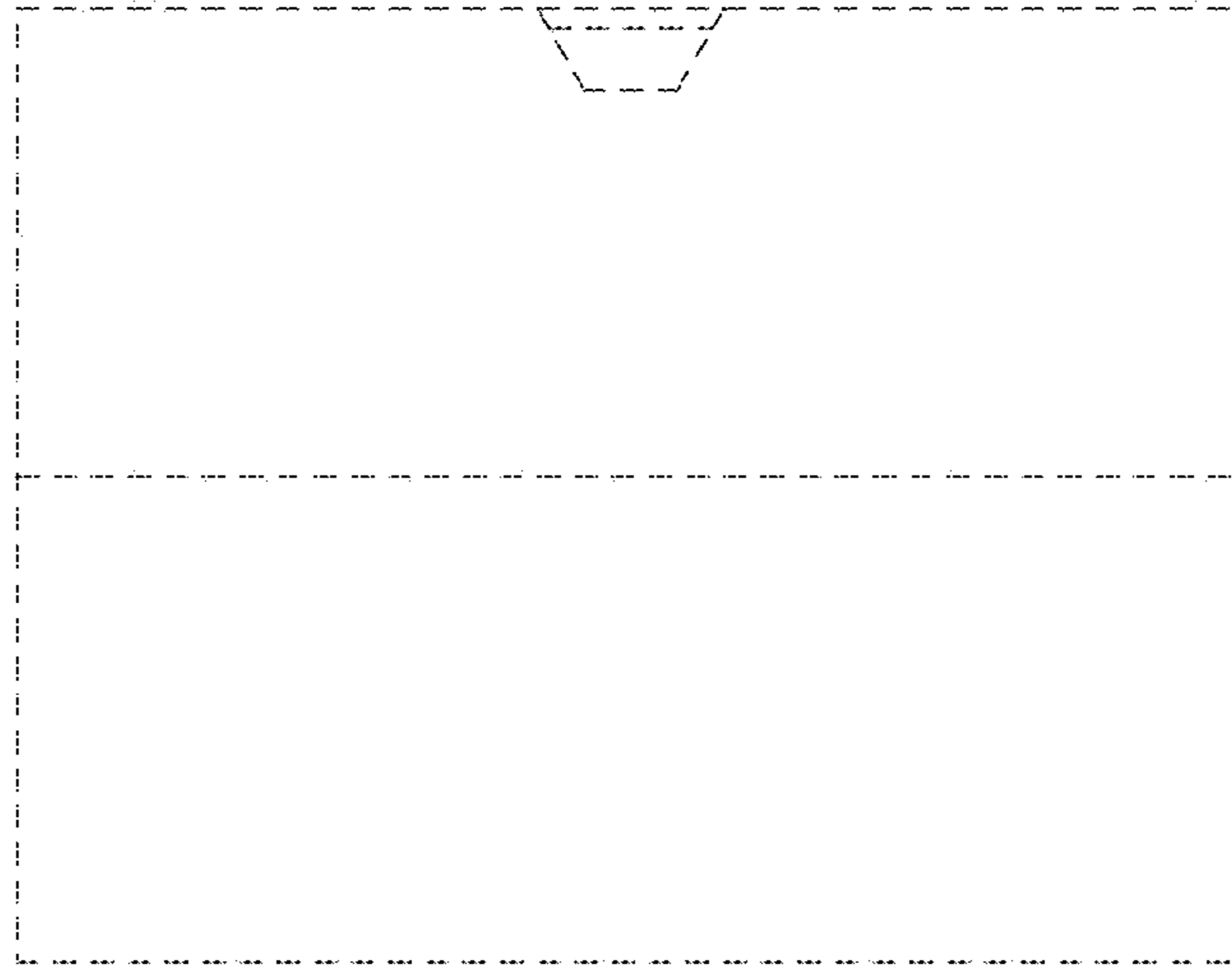


FIG. 4



FIG. 5

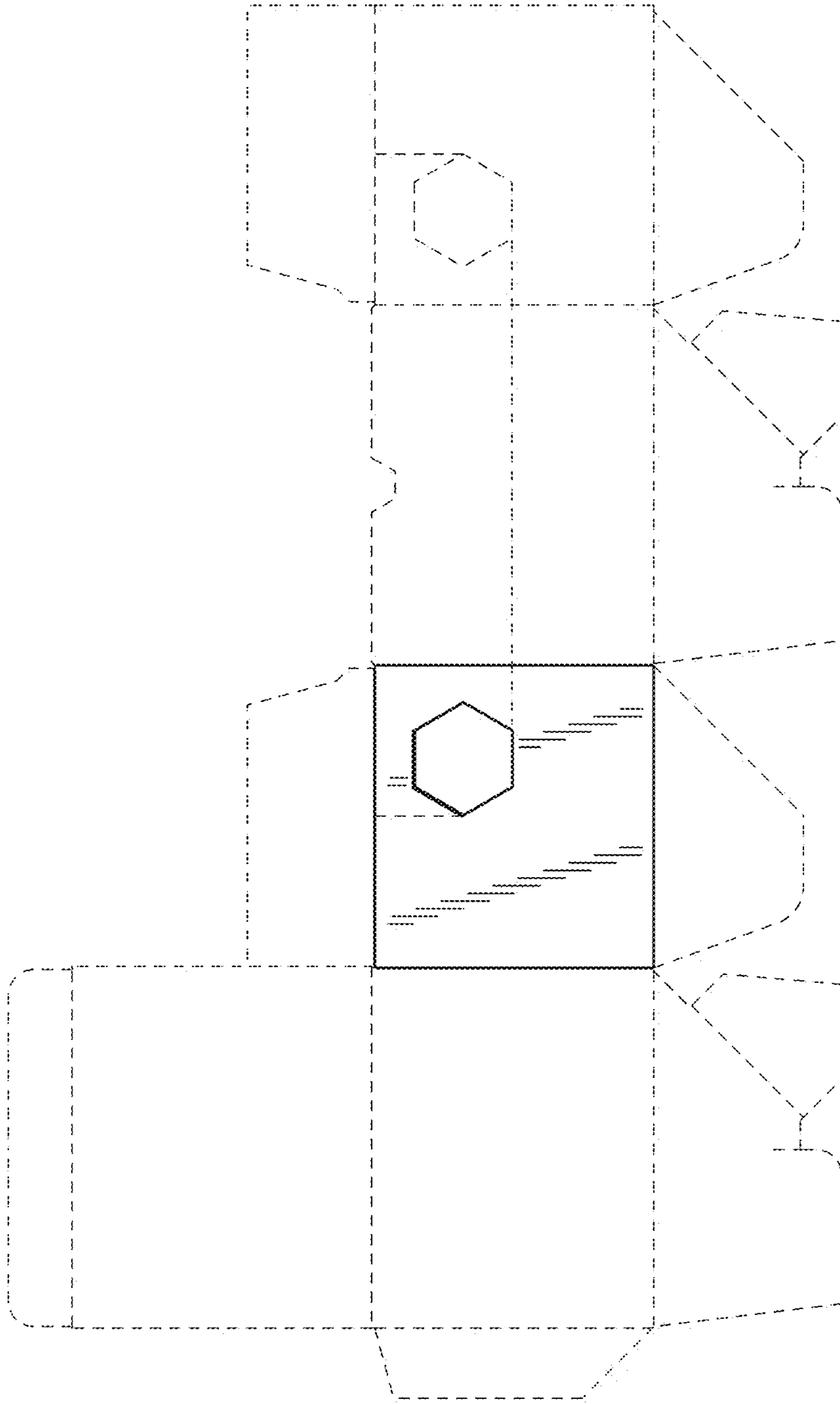


FIG. 8